



ELBA

MULTI COOKER

MODEL: EMC-K5015(PK)

Owner's Manual

Please read this manual carefully before operating your set.

Retain it for future reference.

Record model number and serial number of the set.

See the label attached on the set and quote this information to your dealer when you require service.

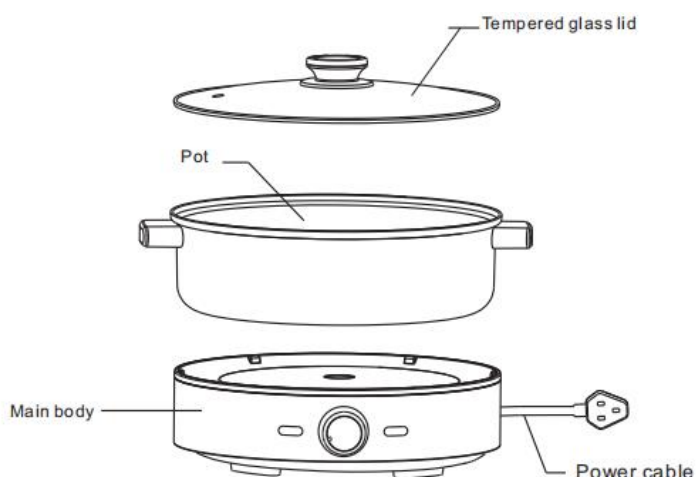
For The Warranty Terms & Conditions, Please Refer To Warranty Certificate.

IMPORTANT SAFEGUARDS

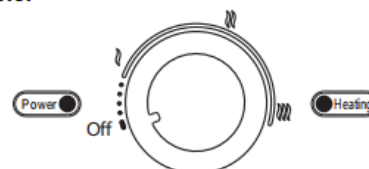
When using this appliance, basic safety precautions should always be followed, including the following.

1. Read all instructions.
2. Be sure to use earthling switch socket, and the socket must be inserted tightly. Never use a universal socket shared with others electrical appliances.
3. The inner pot, heating base and heating plate are very hot when in use or within sometime after shutdown, never touch them with your hand. Always allow it to cool down before handling.
4. Fill water or soup not more than "MAX" water line during operation, spillage from overflow when boiled may cause electric hazard.
5. To protect against fire, electric shock and injury to persons, do not immerse cord, plugs, or heating base in water or other liquid.
6. Be sure to use the specific pot to the product, and do not put other pots on the heating plate of this product for cooking.
7. Please add water if steam for long time, to avoid dry-cooking.
8. In case any defects are found to avoid any dangers, please do not disassemble the units by own. Please send the appliance to the nearest authorized dealer or after sales service center for examination and repair.
9. Operate the appliance on a flat and dry place. Always keep the appliance dry, especially the heating plate. The appliance may be deformed or damaged when exposed to high heat or used in unstable surroundings (excess water or humidity).
10. Make sure the outer surface of the pot and the heating plate is clean and dry before plug-in.
11. Do not remove pot from heating plate before cooling. Remove with force will damage pot and heating plate.
12. Do not place any object nearby or cover or touch the hot steam vent of the glass lid while cooking.
13. Unplug from outlet when not in use and before cleaning. Allow to cool down before putting on or taking off parts, and before cleaning the appliance.
14. Do not operate any appliance with a damaged cord or plug or after the appliance malfunctions, or has been damaged in any manner. Return appliance to the nearest authorized dealer or after sales service center for examination and repair.
15. The use of accessory attachment not recommended by the manufacturer may result in fire, electric shock or injury to persons.
16. Do not use the appliances outdoors.
17. Do not let cord hang over edge of table or counter, or touch hot surface.
18. Do not place on or near a hot gas or electric burner, or in a heated oven.
19. It is normal for smoke or smell to be emitted during first use. Continue using till smoke stops.
20. Do not put other pot on the heating of this appliance for heating.
21. Do not use inner pot directly in open flame.
22. Do not use appliance for other than intended use.
23. This appliance is not intended for use by person (including children) with reduced physical, sensory, or mental capabilities, or lack of experience and knowledge, unless they have been given supervision or instruction concerning the use of the appliance by a person responsible for their safety.

PRODUCT DESCRIPTIONS



Control Panel



PREPARATION FOR FIRST USE

1. Remove all packaging materials. Check to make sure the appliance is not damaged. In case of any damage return the appliance to the nearest authorized dealer or after sales service center for examination and repair.
2. Before first use, clean the inner pot and glass lid thoroughly by wiping with damp sponge and mild cleaning detergent. Do not immerse the body unit into water.
3. Keep the bottom of the pot and heating base clean.

OPERATION INSTRUCTION

1. Before each operation, remove any unwanted material from the surface of the pot base. Ensure the adjustable control switch in left end "OFF" position.
2. Put the pot on the heating base and turn slightly to fit the bottom of the pot to the surface of the heating base. Ensure the pot sit firmly on the heating base before operation. Fill in the water not over "MAX" water line to avoid spillage which may result in electric hazard. For grilling, put the grill pan in the heating base before start the cooking process.
3. Plug the power plug into the power socket.
4. Move the adjustable controller to high and the "POWER" light will turn on. Place food into the pot after soup is boiled and put the food on grill pan when the grill pan is heat up. Then adjust the temperature controller to your ideal power level.
5. After using, move the adjustable controller to "OFF" and then unplug the power plug from the power supply.

CLEANING AND MAINTENANCE

1. Before cleaning, always turn off the appliance and unplug the power plug from the power supply. Allow the heating base to completely cool down, and then remove the pot or grill pan from the heating base.
2. Clean the pot, glass lid and grill pan with a little dishwashing detergent added. Rinse thoroughly and dry completely.
3. Do not use any abrasive scouring agents, steel wool, metal objects, hot cleaning agents or disinfectants, since they can damage the appliance.
4. Always keep the inner pot and grill pan clean and dry.
5. The manufacturer rejects all claims onto the damaged layer of coating in pot and grill pan.

APPLIANCE STORAGE

1. Unplug the appliance and let it cool down thoroughly.
2. Make sure that all the parts are cleaned and dry.

ENVIRONMENT FRIENDLY DISPOSAL



Correct Disposal of this appliance:

This marking indicates that this appliance should not be disposed with other household wastes. To prevent possible harm to the environment or human health from uncontrolled waste disposal, recycle it responsibly to promote the sustainable reuse of material resources.

ELBA