

ELBA

**16" WALL FAN
MODEL: EWMF-N1675(BK)**

Owner's Manual

Please read this manual carefully before operating your set.

Retain it for future reference.

Record model number and serial number of the set.

See the label attached on the set and quote this information to your dealer when you require service.

For The Warranty Terms & Conditions, Please Refer To Warranty Certificate.

REMOVE ALL PACKING MATERIALS FROM THIS PRODUCT BEFORE USING IT.

THIS APPLIANCE MUST BE INSTALLED ON A FLAT SURFACE. PLEASE ENSURE THE ELECTRIC SUPPLY TO THIS APPLIANCE IS DISCONNECTED BEFORE INSTALLING.

Please read this instruction carefully. It is advisable to keep this instruction manual in a safe place for future reference.

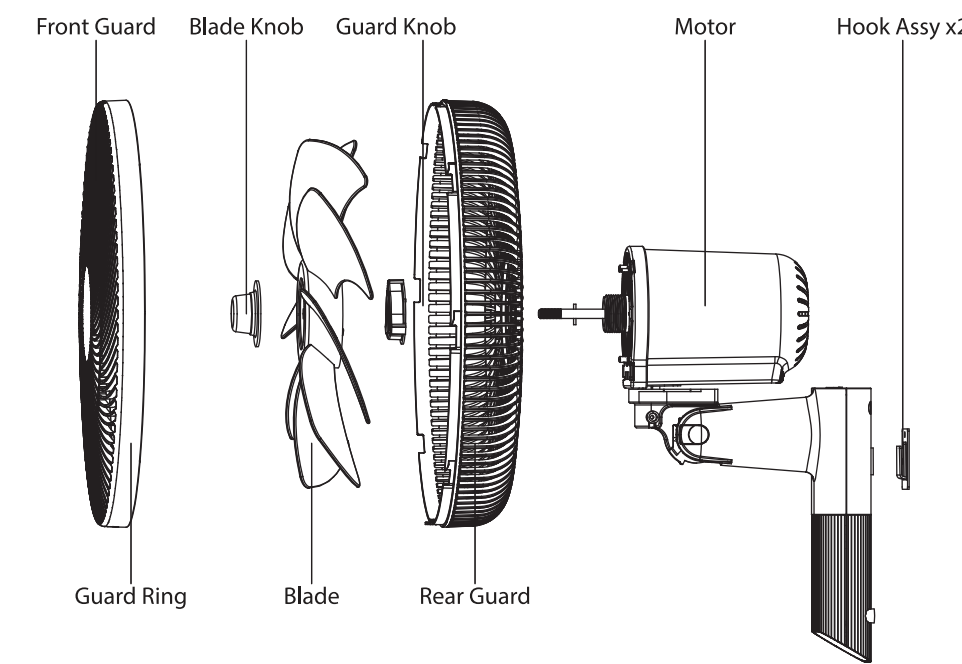
SAFETY PRECAUTIONS

1. Keep electrical appliances out of reach from children. Do not let them operate the appliances without supervision.
2. To protect against the risk of electrical shock, do not immerse the product, cord or plug into water or any other liquid.
3. This product is for household and indoor use only.
4. This product is not intended for use by person (including children) with reduced physical, sensory or mental capabilities unless they have been given supervision or instruction concerning use of the appliance by a person responsible for their safety.
5. If the power cord or plug is damaged, it must be replaced by the service center or a qualified service technician to avoid hazard.

WARNING - to reduce the risk of fire, electrical shock or injury to persons or property, please read and follow below instructions carefully.

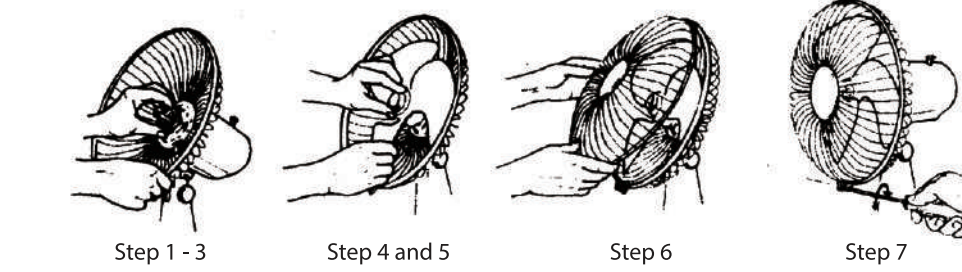
- Always operate the product from a power source of the same voltage, frequency and rating as indicated on the product identification marking.
- Do not operate this product if it has malfunctioned, damaged cord or plug or appears damaged in any way. Return the complete product to the place of purchase for inspection, repair or replacement.
- This product should not be used in the immediate vicinity of water, such as bathtub, washbowls, swimming pool etc, where the likelihood of immersion or splashing could occur.
- Always switch off and unplug the plug from outlet when not in use, before assembling or disassembling parts and before cleaning. Fully assemble the fan before operating.
- Avoid contacting with moving parts. Do not insert any object through the guard when the fan is operating.
- Do not cover the guard or operate in close proximity to curtains, etc.
- Always disconnect the fan when moving it from one location to another.

PRODUCT DESCRIPTIONS



CONTROLS AND OPERATIONS

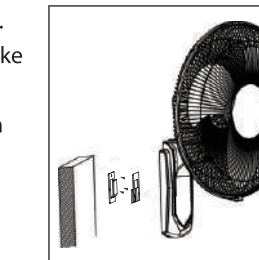
Blade and fan guard assembly



1. Unscrew the blade knob clockwise and the guard knob counter-clockwise to remove both of them.
2. Fix the rear guard in the proper position with the handle upside.
3. Fasten the guard knob tightly to fix the rear guard.
4. Install the blade onto the motor shaft until it reaches the fixing pin.
5. Screw the blade knob onto the motor shaft counter-clockwise to the blade.
6. Press the rim of the front guard onto the rear guard until they are properly fitted.
7. Loosen the screw on the clip. Then fix both grills with plastic rim and use a screwdriver to tighten the locking screw.

Installation

1. The appliance should be installed on a wall, solid wood, or pillar which stands vertically to the floor.
Caution: To prevent the appliance from falling off. Do not install it on walls that are less than 10cm in thickness or made of material that is easily damaged.
2. Install the hook firmly on the wall using three screws, and make sure the hook is horizontal to the floor.
3. Please note that the hook should be at least 30 cm away from the adjoining floor.
4. Install the mounting bracket to the fan body and make the bracket slot onto the hook on the wall.



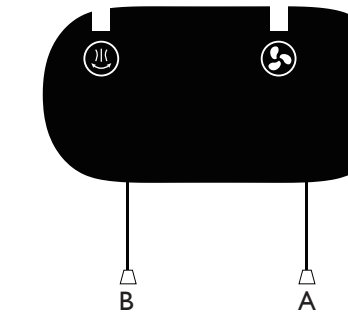
How to use

On/off & Speed Choice

- Switch on/off the fan and adjust to the desired speed by pulling the string switch A.
0 - Stop 1 - Low 2 - Medium 3 - High

Oscillation

- To adjust the angle of the oscillation, pull string B.
- To adjust the direction of the wind, push or pull the lower part of the fan guard lightly.



Adjust The Airflow Direction

- Push or pull the lower part of the fan guard lightly to the desired direction.

Overheating protection

- In case the motor is overheated for any reason, the thermal fuse attached to the windings of the motor will burn out to switch off the appliance, and the temperature of the motor is no longer going up so that the plastic part of the appliance won't be deformed or burned by the overheating.

CLEANING AND MAINTENANCE

Clean the appliance with a damp cloth with mild cleaner. Do not use chemical, steel, wooden or abrasive cleaners to clean the appliance.

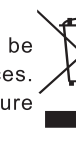
WARNING: DO NOT IMMERSE THE APPLIANCE INTO WATER. ENSURE THAT THE FAN IS UNPLUGGED FROM THE POWER SUPPLY BEFORE REMOVING THE GUARD.

MAIN SPECIFICATION

Voltage : 220V-240V~/50Hz
Rated Power : 55W
Fan Size : 16-inch
Motor : 3-Speed

NOTICE

This product must not be disposed together with domestic waste. It has to be disposed at an authorized place for recycling of electrical and electronic appliances. By collecting and recycling waste, you help to save natural resources and make sure the product is disposed in an environmental friendly and healthy way.



ELBA