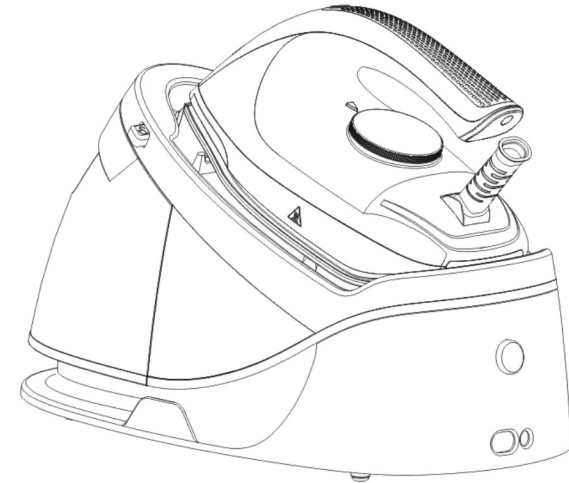


ELBA



ELBA

STEAM GENERATOR

MODEL: ESG-N2258C(PP)

Owner's Manual

Please read this manual carefully before operating your set.

Retain it for future reference.

Record model number and serial number of the set.

See the label attached on the set and quote this information to your dealer when you require service.

For The Warranty Terms & Conditions, Please Refer To Warranty Certificate.

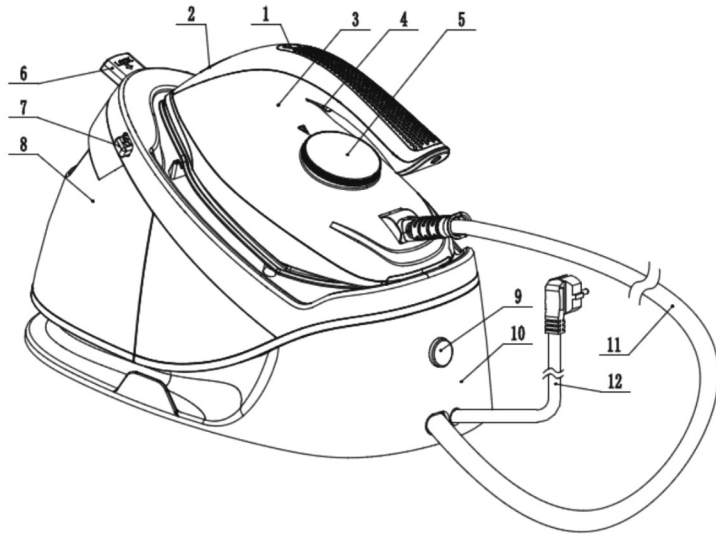
IMPORTANT SAFEGUARDS

When using this appliance, basic precautions should always be followed, including the following:

1. Read all instruction before using.
2. Never leave the iron unattended when it is connected to the power.
3. Do not operate the iron with a damaged cord or if the iron has been dropped or damaged. To avoid the risk of electric shock, do not disassemble the iron on your own. Return the iron to the nearest authorized dealer or after-sales service centre for examination, repair or mechanical adjustment. Incorrect reassembly can cause a risk of electric shock when the iron is used.
4. To protect against a risk of electric shock, do not immerse the iron in water or any other liquids.
5. When placing the iron on its station, ensure it is placed on a stable, flat and heat-resistant surface.
6. Never yank cord to disconnect from outlet instead, grasp plug and pull to disconnect.
7. Do not allow the power cord to touch hot surfaces. Let the iron cool down completely before putting away. Loop cord loosely around iron when storing.
8. **Warning:** The soleplate of the iron can become extremely hot right after use and may cause burns if touched.
9. **Do not add chemical additive, scented substances or decalcifiers into the water tank.**
10. Only use tap water or demineralized water to fill the water tank. Other liquids could damage components and gaskets.
11. The plug must be removed from the socket-outlet before the water reservoir is filled with water.
12. Check carefully that the label of the fabric to iron matches the setting and the temperature of the iron.
13. Always place the iron on its seat on the station, don't let the iron rest on fabrics or elsewhere.
14. This appliance is not intended for use by persons (including children) with reduced physical, sensory or mental capabilities, or lack of experience and knowledge, unless they have been given supervision or instruction concerning use of the appliances by a person responsible for their safety.
15. Children should be supervised to ensure that they do not play with the iron.
16. Do not operate the iron for other than its intended use.
17. Do not use the iron outdoors.
18. Save this instruction for future reference.

PRODUCT DESCRIPTION

- | | |
|-----------------------------|---------------------------------|
| 1. Clean Indicator Light | 7. Safety Carry Unlock Button |
| 2. Ready Indicator Light | 8. Removable Water Tank |
| 3. Steam Iron | 9. Power Switch |
| 4. Steam trigger | 10. Base Station |
| 5. Temperature control dial | 11. Steam Cord |
| 6. Safety Carry Lock Button | 12. Swivel power cord protector |



USING THE IRON FOR THE FIRST TIME

When using the iron for the first time, you may notice a slight emission of the steam and heard some sound made by the expanding plastic. This is considered normal and it stops after a short time. On the first time using, you may smell an odour and smoke slightly. The odour will disappear naturally after the product is used for several times and smoke slightly for first few minutes. Please rest assured this is normal and will disappear. We also recommend passing the iron over an ordinary cloth before using it for the first time.

Problem	Possible Causes	Solution
The iron does not produce steam.	Water tank level is low. Steam generator will beep twice and the power indicator light will flash to remind to refill water tank.	Please fill water tank.
	Water tank is not fully inserted to the base station. Check if power light is flashing.	Remove and re-insert the water tank to fit into position and with a click sound.
	If it is on first use the unit may have not been primed.	Operate the steam boost a few times by double-clicking the steam trigger in quick succession.
	The unit is still heating up. The steam will only operate when the temperature indicator light is solid. Check if light is flashing.	Wait until the temperature indicator light stops flashing and turns to solid.
Brown particles are emitted from the soleplate	The iron needs to be de-scaled.	Operate the self-clean process. Follow instructions provided in "Self-cleaning".
No display lights are showing.	Steam generator has not used steam function for 5 minutes and entered auto-off mode.	Pull the steam trigger. Unit should come out of auto-off mode. You may need to wait a short time for unit to heat up before it can produce steam. When the temperature indicator light turns on the unit is ready for use.

ENVIRONMENT-FRIENDLY DISPOSAL



You can help to protect the environment!

Please remember to respect the local regulations: hand in the non-working electrical equipments to an appropriate waste disposal centre.

IRONING TIPS

- We recommend using the lowest temperature with fabrics that have unusual finishes (sequins, embroidery, flush, etc.).
- If the fabric is mixed (e.g. 40% cotton 60% synthetics), set the temperature to the temperature of the fibre requiring the lower temperature.
- If you do not know the composition of the fabric, determine the suitable temperature by testing on a hidden corner of the garment. Start with a minimum temperature and increase it gradually until it reaches the ideal temperature.
- Never iron areas with traces of perspiration or any other marks. The heat of the plate fixes the stains on the fabric, making them irremovable.
- The size is more effective if you use a dry iron at a moderate temperature, excess heat scorches it with the risk of forming a yellow mark.
- To avoid marking silk, woollen or synthetic garment shiny, iron them inside out.
- To avoid marking velvet garments shiny, iron in one direction (following the fibre) and do not press down on the iron.
- The heavier the washing machine is loaded, the more garments come out creased. This also happens when the spin-drying revolutions are very high.
- Many fabrics are easier to iron if they are not completely dry. For example, silk should always be ironed damp.
- As indicated on the temperature control dial and in the initial table, please use steam at the highest temperatures. If the selected temperature is too low, water may drip onto the plate.
- Do not touch the soleplate before it has fully cooled down.
- Do not allow the soleplate surface to get close to yourself or others.

OPERATING THE APPLIANCE

This product has been designed for dry ironing and steam ironing.

1. Place the steam generator on a stable and heat-resistant surface.
2. Slide out the water tank and fill water through the water inlet. It is recommended to use purified water with less mineral content. The maximum capacity of the water tank is 1.7 L. Please make sure that the "MAX" water level mark is not exceeded. Then attach the water tank onto the power base correctly. Push it until a click sound is heard.
3. Insert the plug in the wall outlet and turn on power switch.
Note: During the whole operating time, the iron operating light indicator will go on and off in erratic intervals, this is normal.
4. Adjust the temperature control dial in terms of choose the kind of fabrics that you want to iron.
Note: If you want to use the steam ironing, we suggest you to adjust the temperature dial on MAX.
5. Press safety unlock button to remove the iron for ironing.
6. To make the steam jet come out, press the steam trigger.
7. If the steam stops coming out, this is probably because there is no more water in the tank.
8. On first use the water system will need priming before the iron will create steam. It is necessary to operate the steam boost function a few times before the unit will be ready to create steam. To operate the steam boost function, double-click the steam trigger quickly a number of times until steam is produced.

DRY IRONING (Without Steam)

For dry-iron fabric, there is no need to fill the water tank.

1. Place the device on a stable and heat-resistant surface.
2. Adjust the temperature control dial in term of kind of fabrics that you want to iron.
3. Press the power switch, the soleplate begins to heat, and the temperature indicator light shows in the form of breathing light.
4. When the iron operating light indicator goes on, the iron will be ready for use.
5. Iron your laundry without pressing the steam trigger.

STEAM IRONING

1. By follow the “operating the appliance” step 1 to 7.
2. Place the iron vertically at a minimum distance of 20-30cm from fabrics, and press the steam trigger, then steam the fabrics describing round figures.
Note: be very careful about the compatibility of the cloth label with this kind of treatment.
3. To operate the steam boost function, double-click the steam trigger quickly. The iron will generate a highly concentrated steam boost for a short period of time.

VERTICAL STEAM IRONING

1. Vertical steam ironing is especially useful for ironing items such as curtains while they are hanging, or jackets, suits and coats.
2. Select the temperature higher. Once the temperature light turn on, the iron is ready for use. Hold the iron in a vertical position and press the steam trigger as required.
Note: Hot steam is emitted from the soleplate. Do not iron/steam a garment whilst wearing it. Do not operate steam in the direction of yourself or anybody else.

AUTO-OFF FUNCTION

The iron has an auto-off function that will operate when your appliance has not been use for 5 minutes. The unit will enter a sleep model and all the light will turn off. To restart by pull the steam trigger. The appliance will restart and may need a short time to reheat to the desired temperature, which will be indicated by the pulsing temperature light.





SELF-CLEANING

1. The steam generator has intelligent reminder cleaning mode and active cleaning mode respectively.
2. Smart reminder cleaning mode refers to the user after continuous use steam ironing accumulative total of 25 hours, cleaning light normally on remind users need to clean the appliance, the first long pushes a cleaning button for 3 seconds until the flashing, at this time to press the steam trigger, the appliance into cleaning mode and start from the soleplate hole steam discharge sewage.
3. Active cleaning mode refers to that when the power switch is on and adjust the temperature control knob to the Max setting, long press the cleaning button for 3 seconds until the cleaning light flashes, and then adjust the thermostat knob on the iron to the cleaning gear.

4. At this time, press the steam trigger, the appliance enters the cleaning mode. Hot water and steam will be ejected from the holes in the soleplate along with any impurities.
5. The cleaning time will last for 1 minute, and the cleaning mode will end when the cleaning light is off. If you need to exit the cleaning mode, please press the cleaning button for 3 seconds until the light is off.

PREPARTION OF TEMPERATURE

Soft the laundry to be ironed according to the international symbols on the garment label, or if this is missing, please refer to the type of fabric.

GARMENT LABEL	FABRIC TYPE	THERMOSTAT REGULATION
	synthetic	• low temperature
	silk - wool	•• medium temperature
	Cotton - linen	••• high temperature
	Fabric not to be ironed	

- Start ironing the garment which requiring lowest temperature. This reduces the waiting times (the iron takes less time to heat up than to cool down) and eliminates the risk of scorching the fabric.
- Iron the reserve side of synthetic material and silk to prevent shining spots. To prevent staining do not use the spray on silk or other delicate fabrics.

CLEANING AND MAINTENANCE

- Before cleaning remove the mains plug from the wall outlet, turn off the power switch and let the iron to cool down sufficiently.
- The appliance can be cleaned with a damp cloth.
- Don't use any detergents, but only a soft cloth dampened with lukewarm water.
- Pour the remaining water in the water tank and empty it.
- Replace the iron vertically in a dry and clean place.
Note: Possible servicing operations for damage or fault caused by the formation of scale are not covered by the guarantee.