


**PROFESSIONAL
HOME COOKING
SERIES 2023**



FIAMMA SDN. BHD. (47268-M)
Wisma Fiamma, No.20, Jalan 7A/62A, Bandar Manjalara, 52200 Kuala Lumpur.
Tel: 03-6279 8888 Fax : 03-6279 8846

www.elba.com.my |  ELBAMalaysia



Catalogue



A WHOLE NEW WORLD,
IN YOUR KITCHEN

*Product images are for illustration purposes only.
Actual colours and specifications may vary from images shown in this catalogue.

We Bring The Flair You Bring The Flavour

No one understands your love of cooking like ELBA does. That's why we're the **No. 1 Cooker Hoods Brand in Malaysia.*** We're constantly enhancing your experience with innovative and exciting kitchen solutions, so you can turn your kitchen into a whole new world. Enter a domain where you can spice up your style and start exploring your culinary passions like never before.

**Source Euromonitor International Limited; Consumer Appliances 2023ed. Retail Volume Sales, 2020-2022 data*



Euromonitor International Limited, founded in the UK in 1972, is the world's leading independent global market research provider of business intelligence on industries, countries and consumers.



CONTENT

01 PROFESSIONAL RANGE

Professional Range Cooker	03
Gas Cooker with Gas Oven / Gas Cooker with Electric Oven	07

02 CALLISTA COLLECTION

Built-in Oven	09
Built-in Microwave Oven / Built-in Steam Oven	10

03 BUILT-IN OVEN

Built-in Oven	11
Built-in Steam Oven	13
Built-in Microwave Oven	14

04 DESIGNER HOOD

Designer Hood	15
---------------	----

05 BUILT-IN HOB

Built-in Flexi Induction Cooker	23
Built-in Induction Cooker	25
Built-in Combi Induction Ceramic Cooker	26
Built-in Ceramic Hob	27
Built-in Domino Hob	29
Built-in Stainless Steel Hob	31
Built-in Glass Hob	32

06 DISHWASHER

Dishwasher	37
------------	----

PROFESSIONAL RANGE COOKER

115
Litres



PROFESSIONAL RANGE COOKER

Your Gastronomic Adventure Starts Here

The cooker that makes your culinary dreams come true. ELBA Professional Range Cooker takes the humble home kitchen to a whole new level. Featuring a comprehensive setup including multiple burners and built-in ovens, the cooker gifts you a whole array of tools and functions to play around with, so you can make meals to remember.

EPRC-H9880ST(SS)

- Oven Capacity: 115 Litres
- 8-function Oven
- Sensor Touch Control with LED Display
- Original Italian SABAF Burner with Safety Valve including:
 - 3 Triple Ring Burners (3.7kW)
 - 2 Semi-rapid Burners (1.75kW)
- Cavity Cooling System
- Double Circulation Fans
- Double Glazed Glass Door
- Easy Clean Removable Inner Glass Door
- Slide-out Drawer

Product Dimension (mm):
900 (W) x 910 (H) x 600 (D)



Elegant Large Knob Design with Automatic Ignition

With just a push and turn, the gas ignites quickly and automatically without the need of a lighter.



Italian SABAF Burners (3.7 kW)

Powerful flame for fast cooking and efficient gas consumption.



XXL Extra Large Oven Capacity

Cooks more in less time.

PROFESSIONAL RANGE COOKER



Light



Conventional (Top + Bottom Elements)



Bottom Element + Fan



Top Element Only



Top Grilling



Grill + Fan



Fan Only



Defrost

NEW



EPRC-N9560D (SS)

- Oven Capacity: 110 Litres
- 5-function Electric Oven
- Original Italian SABAF Burners with Safety Valve Including:
 - 1 Triple Ring Burner (4.0kW)
 - 1 Rapid Burner (2.9kW)
 - 2 Semi-rapid Ring Burners (1.65kW)
 - 1 Auxiliary Burner (0.9kW)
- Stainless Steel Hob with Cast Iron Pan Support
- Electronic Controls & Digital Clock with Automatic Cut-off Timer
- Cavity Cooling System
- Double Oven Lamps
- Double Circulation Fans
- Double Glazed Glass Door
- Easy Clean Removable Inner Glass Door
- Flap Drawer
- Large Viewing Door with Aluminium Handle
- Electric Ignition
- 2 Grilling Rack, 1 Baking Tray

Product Dimension (mm):

900 (W) x 920 (H) x 600 (D)



Top View



Italian SABAF Burners (4.0kW)



Powerful flame for fast cooking and efficient gas consumption.

Digital Timer with Automatic Cut Off



Digital display panel to display countdown. Turns off automatically after countdown ends.

XXL Extra Large Oven Capacity



Cooks more in less time.



EPRC-A6456GE (SS)

- Oven Capacity: 56 Litres
- 8-function Oven
- Original Italian SABAF Burners with Safety Valve including:
 - 1 Triple Ring Burner (3.7kW)
 - 2 Semi-rapid Burners (1.75kW)
 - 1 Auxiliary Burner (1.0kW)
- Cavity Cooling System
- Tempered Glass Top Cover
- Interior Oven Lamp
- Double Glazed Glass Door
- Easy Clean Removable Inner Glass Door
- Slide-out Drawer
- Electronic Controls & Digital Clock with Automatic Cut-off Timer
- Stainless Steel Hob with Cast Iron Pan Support
- Large Viewing Window with Aluminium Handle
- 2 Grilling Racks, 1 Baking Tray

Product Dimension (mm):

600 (W) x 910 (H) x 600 (D)



Italian SABAF Burners (3.7kW)



Powerful flame for fast cooking and efficient gas consumption.

Digital Timer with Automatic Cut Off



Digital display panel to display countdown. Turns off automatically after countdown ends.

Large Viewing Window



Easy visibility that allows you to observe the full view of your food while it cooks.



GAS COOKER WITH GAS OVEN



EGC-C9703G(BK)

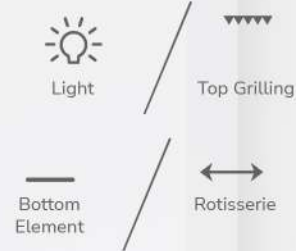
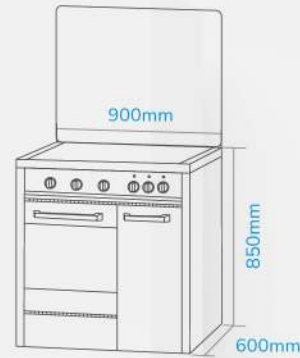
- Original Italian SABAF Burners including:
 - 2 Triple Ring Burners (3.8kW)
 - 1 Semi-rapid Burner (1.75kW)

Product Dimension (mm):
900 (W) x 850 (H) x 600 (D)

EGC-C9704G(BK)

- Original Italian SABAF Burners including:
 - 1 Triple Ring Burner (3.8kW)
 - 1 Rapid Burner (3.0kW)
 - 1 Semi-rapid Burner (1.75kW)
 - 1 Auxiliary Burner (1.0kW)
- Oven Capacity: 70 Litres
- Full Gas Oven with Rotisserie
- Gas Cylinder Compartment
- Colour: Black

Product Dimension (mm):
900 (W) x 850 (H) x 600 (D)



NEW



EGC-N6704G(BK)

- Original Italian SABAF Burners Including:
 - 1 Triple Ring Burner (3.8kW)
 - 2 Semi-rapid Burners (1.75kW)
 - 1 Auxiliary Burner (1.0kW)
- Oven Capacity: 70 Litres
- Full Gas Oven
- Mechanical Timer on Oven
- SABAF Safety Valve for Gas Oven
- Color: Black

Product Dimension (mm):
600 (W) x 890 (H) x 600 (D)



GAS COOKER WITH ELECTRIC OVEN



EGC-C9783E(SS)

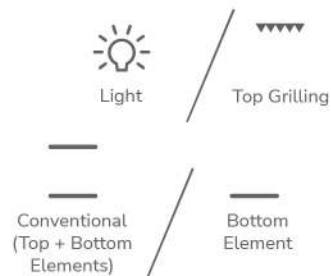
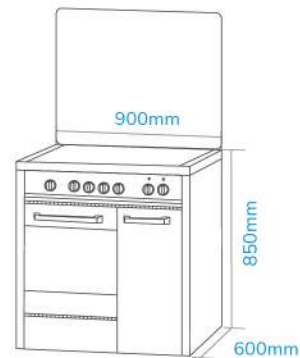
- Original Italian SABAF Burners including:
 - 2 Triple Ring Burners (3.8kW)
 - 1 Semi-rapid Burner (1.75kW)

Product Dimension (mm):
900 (W) x 850 (H) x 600 (D)

EGC-C9784E(SS)

- Original Italian SABAF Burners including:
 - 1 Triple Ring Burner (3.8kW)
 - 1 Rapid Burner (3.0kW)
 - 1 Semi-rapid Burner (1.75kW)
 - 1 Auxiliary Burner (1.0kW)
- Oven Capacity: 70 Litres
- Full Electric Oven with Grill
- Gas Cylinder Compartment
- Colour: Stainless Steel

Product Dimension (mm):
900 (W) x 850 (H) x 600 (D)



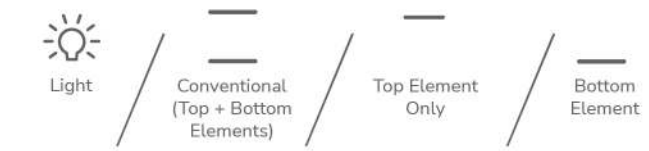
NEW



EGC-N6784E(SS)

- Original Italian SABAF Burners Including:
 - 1 Triple Ring Burner (3.8kW)
 - 2 Semi-rapid Burners (1.75kW)
 - 1 Auxiliary Burner (1.0kW)
- Oven Capacity: 70 Litres
- Full Electric Oven with Grill
- Mechanical Timer on Oven
- Color: Stainless Steel

Product Dimension (mm):
600 (W) x 890 (H) x 600 (D)



Italian SABAF Burners (3.8kW)



Powerful flame for fast cooking and efficient gas consumption.

60cm Body Width



A compact size to fit in with your kitchen décor.

Large Oven Capacity



Cooks more in less time.

COMMON POINTS

- Enamel Pan Support
- With Tempered Glass Top Cover
- Interior Oven Lamp
- Automatic Electric Ignition
- Large Viewing Window with Aluminium Handle
- Double Glazed Glass Door
- 1 Grilling Rack, 1 Baking Tray

COMMON POINTS

- Enamel Pan Support
- With Tempered Glass Top Cover
- Interior Oven Lamp
- Automatic Electric Ignition
- Large Viewing Window with Aluminium Handle
- Double Glazed Glass Door
- 1 Grilling Rack, 1 Baking Tray

What if you could have versatility at your fingertips, and make whatever you crave, when you crave it? Your taste is our command. ELBA Callista Collection is the epitome of convenience, combining a built-in oven, steam oven and microwave in one sleek and stylish package.

CALLISTA COLLECTION

Built-In Oven

Self Cleaning

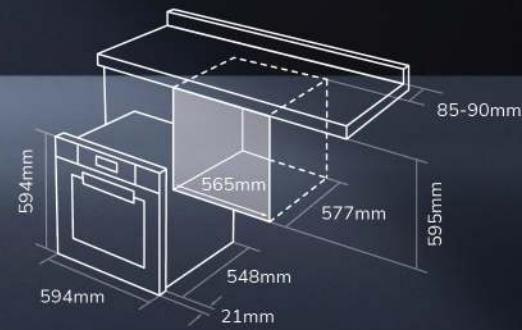


EBO-H7310TFT (BK)

- Oven Capacity: 73 Litres
- 10-function Oven
- TFT Colourful LCD Sensor Touch Control
- Pyrolytic Technology at 470°C with Self-Cleaning Function
- Triple Glazed Removable Glass Door
- 2 Grilling Racks, 2 Pans

Product Dimension (mm):
594 (W) x 594 (H) x 548 (D)

Built-in Dimension (mm):
565 (W) x 595 (H) x 577 (D)



Sensor Touch Control



Easy visibility and more precise control of all the oven's functions at the touch of a finger.

Dynamic Blue Enamel Oven Interior



ELBA's dynamic blue enamel interior helps retain more heat compared to darker coloured interiors.

Pyrolytic Technology (Self-Cleaning Function)



Pyrolytic Technology heats the inside of your oven to temperatures upwards of 470°C, reducing grease and food residue to ash without any harsh chemicals.



Built-in Microwave Oven

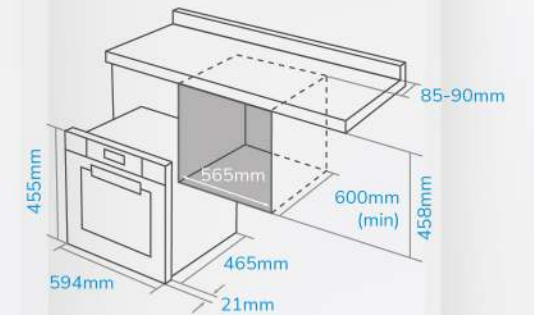


EMO-H3880TFT (BK)

- Oven Capacity: 38 Litres
- 8-function Oven
- TFT Colourful LCD Sensor Touch Control
- Triple Glazed Removable Glass Door
- Cavity Cooling System
- Cool Touch Glass under 50°C
- 1 Roller Ring, 1 Glass Tray, 1 Grilling Rack, 1 Baking Tray

Product Dimension (mm):
594 (W) x 455 (H) x 465 (D)

Built-in Dimension (mm):
565 (W) x 458 (H) x min 600 (D)



Built-in Steam Oven

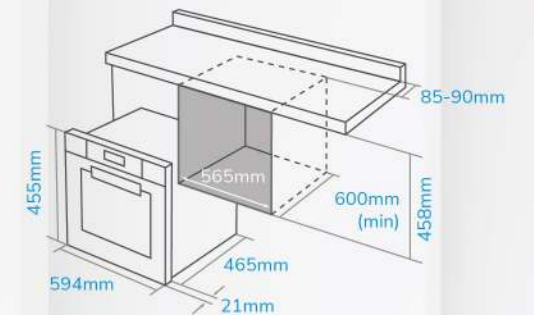


ESGO-H3850TFT (BK)

- Oven Capacity: 38 Litres
- 5-function Oven
- TFT Colourful LCD Sensor Touch Control
- Triple Glazed Removable Glass Door
- 1 Steam Tray, 1 Drip Tray, 1 Grilling Rack

Product Dimension (mm):
594 (W) x 455 (H) x 465 (D)

Built-in Dimension (mm):
565 (W) x 458 (H) x min 600 (D)

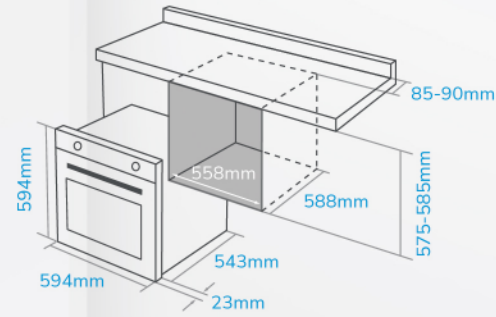


Steam Oven Inner Tank Combination Modes



Perfect roasting, baking, steam cooking and other operating modes in a combination of your choice.



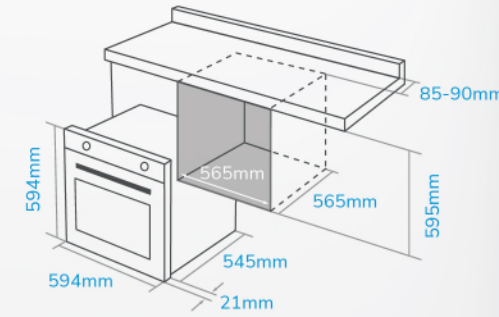
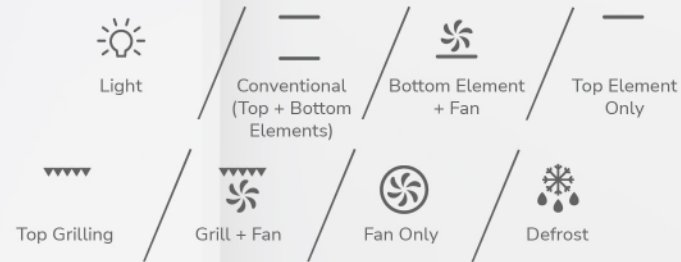


EBO-E7081D(SS)

- Oven Capacity: 70 Litres
- 8-function Oven
- Digital Clock with Automatic Cut-off Timer
- Triple Glazed Removable Glass Door
- Removable Side Rack Support
- 2 Grilling Racks, 2 Pans

Product Dimension (mm):
594 (W) x 594 (H) x 543 (D)

Built-in Dimension (mm):
558 (W) x 575-585 (H) x 588 (D)

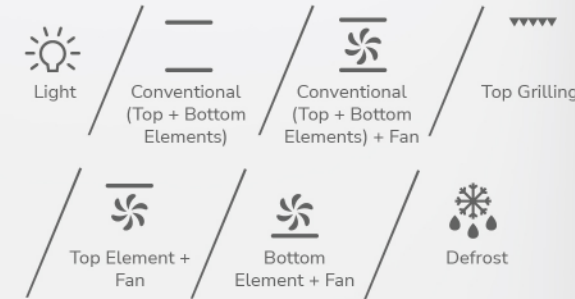


VOLTO EBO-K5677(SS)

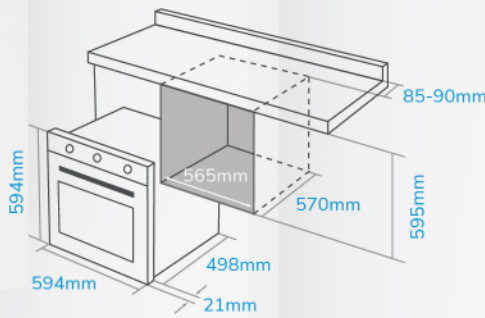
- Oven Capacity: 56 Litres
- 7-function Oven
- Mechanical Control
- Triple Glazed Removable Glass Door
- 2 Pans, 2 Grilling Racks
- Removable Side Rack Support

Product Dimension (mm):
594 (W) x 594 (H) x 545 (D)

Built-in Dimension (mm):
565 (W) x 595 (H) x 565 (D)



BUILT-IN OVEN

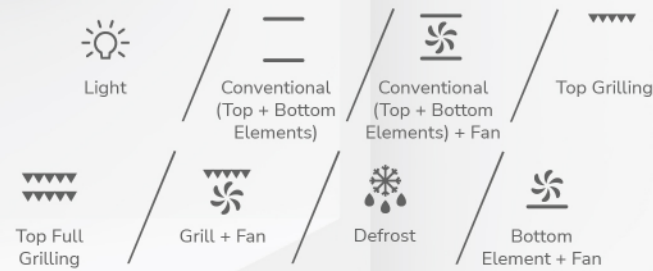


NEW
DIVO EBO-M7388(BK)

- Oven Capacity: 73 Litres
- 8-function Oven
- Mechanical Control
- Double Glazed Glass Door
- 1 Pan, 2 Grilling Racks

Product Dimension (mm):
594 (W) x 594 (H) x 498 (D)

Built-in Dimension (mm):
565 (W) x 595 (H) x 570 (D)



Triple Glazed Removable Glass Door



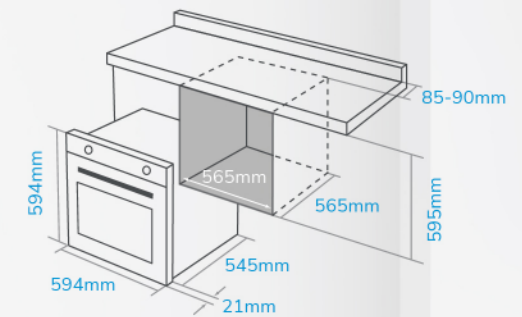
Triple glazed glass uses heat reflective glass which helps insulate your oven and make it much more energy efficient and cool touch under 50°C on glass surface. It can easily remove the oven glass for complete cleaning.
(Except Model: DIVO EBO-M7388(BK))

Large Oven Capacity



Cooks more in less time.

BUILT-IN OVEN

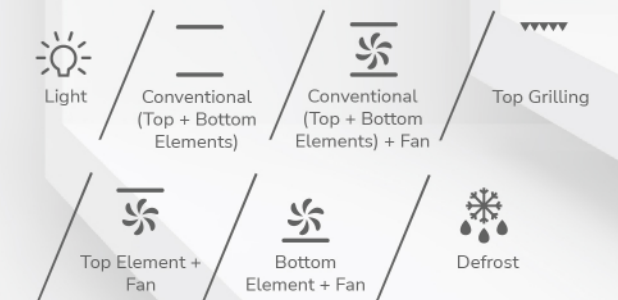


VOLTO EBO-K5670(BK)

- Oven Capacity: 56 Litres
- 7-function Oven
- Mechanical Control
- Triple Glazed Removable Glass Door
- 1 Pan, 1 Grilling Rack

Product Dimension (mm):
594 (W) x 594 (H) x 545 (D)

Built-in Dimension (mm):
565 (W) x 595 (H) x 565 (D)



COMMON POINTS

- Max Temperature: 250°C
- Interior Oven Lamp
- Concealed Bottom Heating Element
- Enamelled Oven Interior
- Cool Touch Glass Under 50°C
- Cavity Cooling System
- With Rotisserie

NEW

BUILT-IN STEAM OVEN

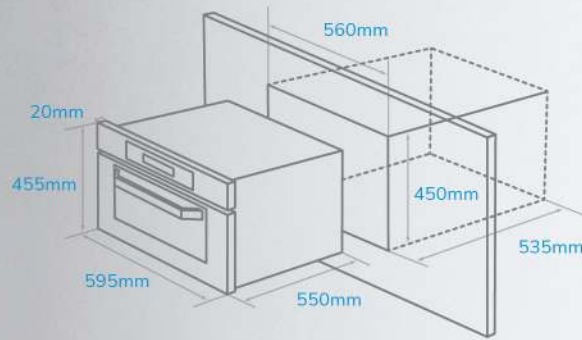


ESGO-N6088D(BK)

- Power : 3,000W
- Capacity: 60L
- Removable Water Tank: 1.0L
- Combines Steam, Convection and Grill in One
- 16-function Oven
- Sensor Touch Control with LED Display
- Temperature Range: 50°C - 250°C
- Combo Function by Combination of 2 Cooking Programs in Succession
- SUS304 Stainless Steel Cavity with Side Rack
- NTC Temperature Control
- 2 Steam Generating Chambers and 2-level Steam Selection
- 50 Preset Menu for Variety Cooking Programs
- Triple Layer Glass Door, Providing High Heat-resistant and Heat-insulation
- Pre-set up to 24 Hours
- Water Shortage Indicator
- External Water Tank for Easy Refilling Water
- 1 Grilling Tray, 1 Steam Rack, 1 Grilling Rack, 1 Baking Glove

Product Dimension (mm):
595 (W) x 455 (H) x 550 (D)

Built-in Dimension (mm):
560 (W) x 450 (H) x 535 (D)



Multi-Functional Steam Grill Oven



All-in-one multi-functional oven with the combination of steam, grill and convection function with consistent heat for easy cooking.

Large Oven Capacity



Cooks more in less time.

2 Steam Generating Chambers



To make the steam more even and heat up rapidly.

Sensor Touch Control with Electronic Digital Display



Easy accessibility and more precise control of all the oven's functions at the touch of a finger.

BUILT-IN MICROWAVE OVEN



Integrated Frame
Integrated Stainless Steel Frame adds to seamless kitchen interior

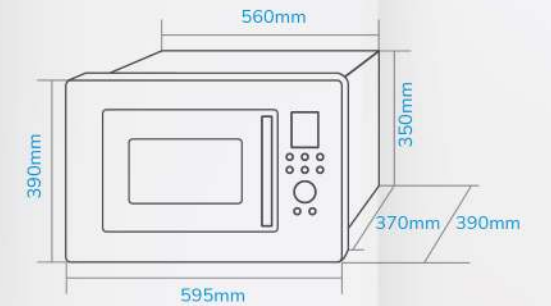


EMO-B2361BI(SS)

- Oven Capacity: 23 Litres
- Rated Power: 1,400W (Microwave), 1,000W (Grill)

Product Dimension (mm):
595 (W) x 390 (H) x 390 (D)

Built-in Dimension (mm):
560 (W) x 350 (H) x 370 (D)

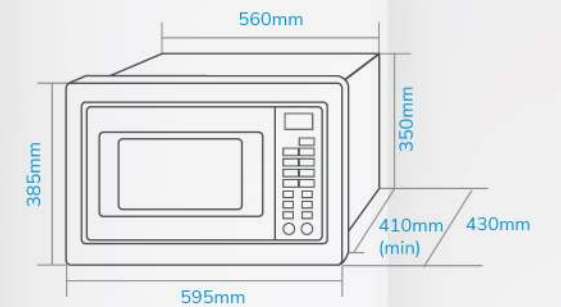


EMO-2306BI

- Oven Capacity: 23 Litres
- Rated Power: 1,400W (Microwave), 1,000W (Grill)

Product Dimension (mm):
595 (W) x 385 (H) x 430 (D)

Built-in Dimension (mm):
560 (W) x 350 (H) x 410 (D)



COMMON POINTS

- Microwave Frequency: 2,459MHz
- 6-power Levels: 100%, 80%, 60%, 40%, 20%, 0%
- With Jet Defrost and Weight Defrost Settings
- Multi-stage Cooking
- 8 Manual Cooking Options
- 4 Timer Preset Levels: 15s, 30s, 1 min, 2 mins
- Max Timer: 99 min 99 sec
- Cooking Uniformity: Turntable System
- Pull Handle Door
- Cooking End Signal
- Key Lock Function

DID YOU KNOW?

Do much more than reheat your leftovers! Microwaves are equipped with a wide range of settings for multifunctional cooking. Did you know you can make all these in the microwave?



Scrambled Eggs

Rice

Pasta

Microwave Mug Cakes

Fish

Baked Potatoes

Soup

BUILT-IN STEAM OVEN

BUILT-IN MICROWAVE OVEN


Recirculating System


Gesture Motion Sensor 2.0



Clean Kitchens Make Happy Cooks

Feel good, cook good. Say goodbye to steam, grease and lingering kitchen odours with ELBA Designer Hoods. These efficiently extract grime from the air around you, so the only thing you'll be breathing in is the delicious aroma from your cooking.

EXTRACTION RATES

This refers to the level at which designer hoods clean cooking grease from the environment. We develop the most efficient designer hoods to clean grease and fumes. And our ELBA Designer Hoods can extract up to 1,600m³/hr of air flow.

GESTURE MOTION SENSOR (GMS) 2.0 TECHNOLOGY

Get a taste of technologically-advanced, convenient kitchen appliances with ELBA Gesture Motion Sensor Technology. Without physically touching your control panel, you are able to turn on/off your cooker hood with a wave of your hand.

ENERGY EFFICIENT LED LIGHT

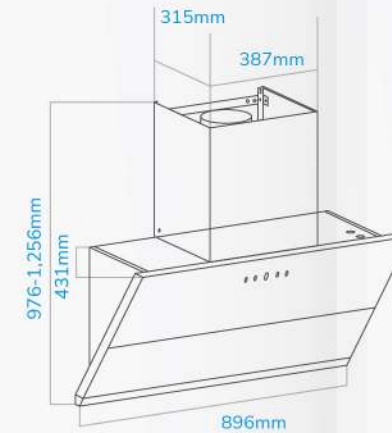
The space-saving energy efficient light illuminates your cooking area and enhances the elegance of your kitchen decor.

NEW

ETERNO EH-N9125ST(BK)

- Suction Power: 1,600m³/hr
- 3-speed Sensor Touch Control (with Turbo Function)
- With Gesture Motion Sensor Technology
- With Hydraulic Hinge Opening
- With Charcoal Filter
- With Elongated Oil Cup
- Premium Stainless Steel Chassis
- Automatic Timer Control
- Time Delay Function
- Fully Sealed Motor

Product Dimension (mm):
896 (W) x 976-1256 (H) x 431 (D)



Gesture Motion Sensor (GMS) 2.0 Technology



Motion detector with faster response and better accuracy

TurboMAX Motor with 1,600 m³/hr



A powerful motor that provides an efficient system with high airflow of 1600m³/hr to immediately refresh your kitchen.

40° Hydraulic Powermatic Hinge Opening



According to ELBA test lab research, the deflector at 40° is the perfect angle at which to absorb fumes and prevent them from escaping into the kitchen environment, compared to an ordinary slanting hood.



High Suction Power



Tempered Glass



LED Lamp x 1



Premium Stainless Steel Chassis



Time Delay



Charcoal Filter



Easy-to-Clean Oil Cup



Recirculating System

EH-H9329TFT(BK)

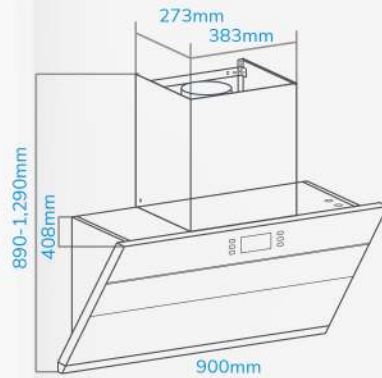
- Suction Power: 1,400m³/hr
- 5-speed Sensor Touch Control Panel with TFT LCD Display
- Stainless Steel Grease Filters
- With Charcoal Filter
- With Elongated Oil Cup
- With Hydraulic Hinge Opening
- Premium Stainless Steel Chassis
- Automatic Timer Control
- Time Delay Function
- Fully Sealed Motor

Product Dimension (mm):
900 (W) x 890-1,290 (H) x 408 (D)

TFT LCD Display



Elegant design with slide control and smart timer for sensor touch control with Thin-film-transistor Liquid-crystal (TFT LCD) display.



38° Angle



ELBA slanted type cooker hoods are side suction hoods combined with powerful function and elegant appearance. Polyline with 38 degrees angle design effectively increases the smoking area. Meanwhile, it also adjusts the smoking location closer to cooking area and creates a gold smoke.

Hydraulic Powermatic Hinge Opening



Boost Function

After being in enhanced mode for 150 seconds, hood can automatically go back to the normal mode. This intelligent programme makes it one of the best-performing when it comes to eliminating grease.

- High Suction Power
- Tempered Glass
- LED Lamp x 2
- Premium Stainless Steel Chassis
- Time Delay
- Charcoal Filter
- Easy-to-Clean Oil Cup

NEW



Recirculating System

Gesture Motion Sensor 2.0

ETERNO EH-N9128ST(BK)

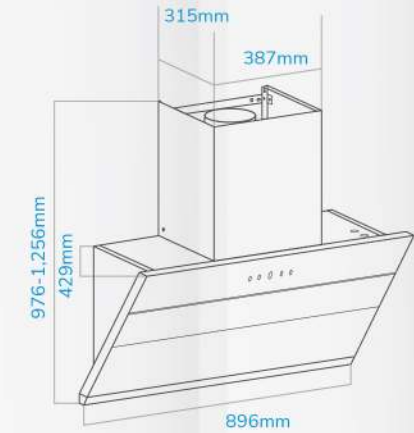
- Suction Power: 1,600m³/hr
- 3-speed Sensor Touch Control (with Turbo Function)
- With Gesture Motion Sensor Technology
- With Hydraulic Hinge Opening
- With Charcoal Filter
- With Elongated Oil Cup
- Premium Stainless Steel Chassis
- Automatic Timer Control
- Time Delay Function
- Fully Sealed Motor

Product Dimension (mm):
896 (W) x 976-1256 (H) x 429 (D)

Gesture Motion Sensor (GMS) 2.0 Technology



Motion detector with faster response and better accuracy.



TURBOMAX Motor with 1,600 m³/hr



A powerful motor that provides an efficient system with high airflow of 1600m³/hr to immediately refresh your kitchen.

60° Hydraulic Powermatic Hinge Opening



Ultra-wide 60° Hinge Opening is the perfect angle to react immediately to absorb fumes and prevent them from escaping into the kitchen environment, compared to an ordinary slanting hood.

- High Suction Power
- Tempered Glass
- LED Lamp x 1
- Premium Stainless Steel Chassis
- Time Delay
- Charcoal Filter
- Easy-to-Clean Oil Cup

DESIGNER HOOD

DESIGNER HOOD

NEW



- Recirculating System
- Gesture Motion Sensor 2.0

SENSO EH-N9638ST(SS)

- Suction Power: 1,600m³/hr
- 3-speed Sensor Touch Control
- With Gesture Motion Sensor Technology
- With Updraft Extractor
- With Heat-cleaning Technology
- With Charcoal Filter
- With Elongated Oil Cup
- Premium Stainless Steel Chassis
- Automatic Timer Control
- Time Delay Function
- Fully Sealed Motor

Product Dimension (mm):
895 (W) x 705-1,085 (H) x 480 (D)



NEW



- Recirculating System
- Gesture Motion Sensor 2.0

SENSO EH-N9639ST(BK)

- Suction Power: 1,600m³/hr
- 3-speed Sensor Touch Control
- With Gesture Motion Sensor Technology
- With Updraft Extractor
- With Heat-cleaning Technology
- With Charcoal Filter
- With Elongated Oil Cup
- Premium Stainless Steel Chassis
- Automatic Timer Control
- Time Delay Function
- Fully Sealed Motor

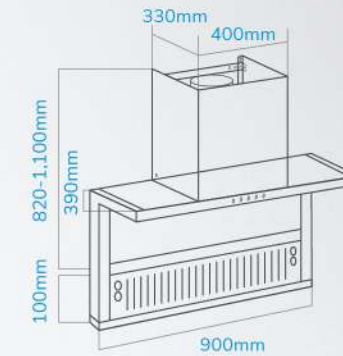
Product Dimension (mm):
895 (W) x 705-1,085 (H) x 480 (D)



PRIMO EH-K9337ST(BK)

- Suction Power: 1,400m³/hr
- 3-speed Sensor Touch Control
- With Gesture Motion Sensor Technology
- With Updraft Extractor
- With Heat-cleaning Technology
- With Charcoal Filter
- With Elongated Oil Cup
- Premium Stainless Steel Chassis
- Automatic Timer Control
- Time Delay Function
- Fully Sealed Motor

Product Dimension (mm):
900 (W) x 820-1,100 (H) x 390 (D)



- Recirculating System
- Heat Clean
- Gesture Motion Sensor

DESIGNER HOOD

DESIGNER HOOD

GESTURE MOTION SENSOR [GMS] 2.0 Technology

- Wave to Right to Power ON
- Wave to Right to Increase Fan Speed
- Wave to Left to Lower Fan Speed

Motion detector with faster response and better accuracy.

TurboMAX Motor with 1,600 m³/h

A powerful motor that provides an efficient system with high airflow of 1600m³/hr to immediately refresh your kitchen.

GESTURE MOTION SENSOR [GMS] Technology

Get a taste of technologically-advanced, convenient kitchen appliances with ELBA Gesture Motion Sensor Technology. Without physically touching your control panel, you are able to turn on/off your cooker hood with a wave of your hand.

Motorized Updraft Extraction

Be in awe of your odourless, non-smoky kitchen with Motorized Updraft Extraction. The moment your cooker hood is on, it will in turn lower the bottom part by 10cm in order to shorten the distance between the hob and hood.

Heat Cleaning Technology

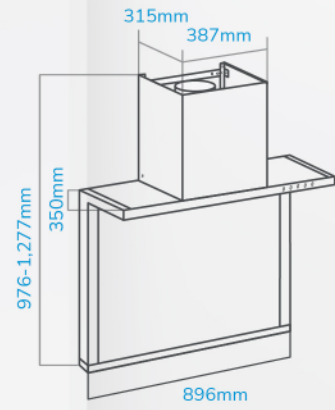
- Heat cleaning operation *Only applicable for PRIMO EH-K9337ST(BK) and INFINITO EH-J9034ST(SS)
- High temperature removes the grease and bacteria on motor fin.
- Grease has been removed and goes into the oil cup.

One Touch Easy Cleaning Design

- High Suction Power
- Tempered Glass
- LED Lamp x 2
- Electronic LED Sensor Touch
- Time Delay
- Charcoal Filter



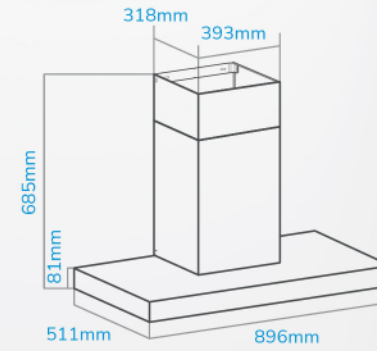
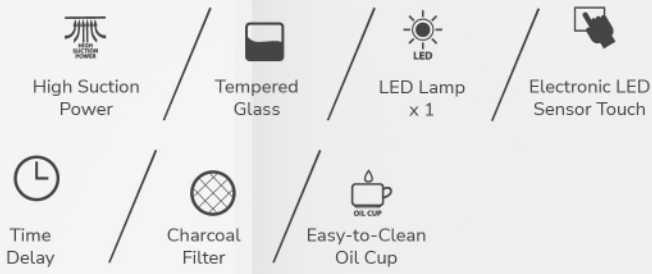
Recirculating System



PRIMO EH-H9321ST(BK)

- Suction Power: 1,400m³/hr
- 3-speed Sensor Touch Control
- With Charcoal Filter
- With Elongated Oil Cup
- Automatic Timer Control
- Time Delay Function
- Premium Stainless Steel Chassis
- Fully Sealed Motor

Product Dimension (mm):
896 (W) x 976-1,277 (H) x 350 (D)

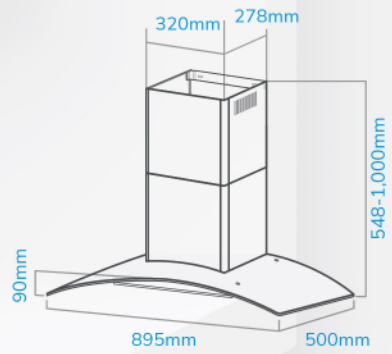
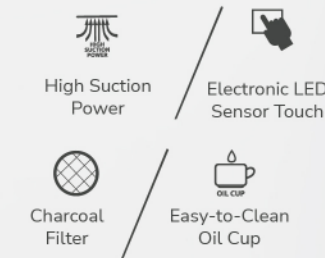


Recirculating System

ELEGANTE EH-G9026ST(SS)

- Suction Power: 1,400m³/hr
- 2-speed Sensor Touch Control
- With Charcoal Filter
- With Elongated Oil Cup
- LED Lamp: 2 x 2W
- Premium Stainless Steel Chassis
- Automatic Timer Control
- Time Delay Function

Product Dimension (mm):
896 (W) x 685 (H) x 511 (D)



Recirculating System

Heat Clean

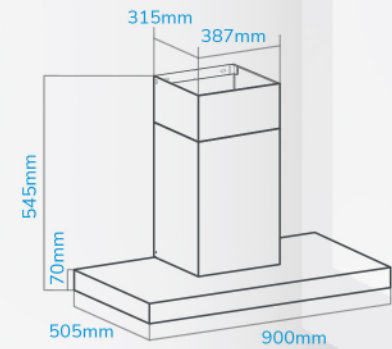
INFINITO EH-J9034ST(SS)

- Suction Power: 1,400m³/hr
- 4-speed Sensor Touch Control
- With Heat-cleaning Technology
- Washable 3-pcs Baffle Filter
- With Charcoal Filter
- With Oil Cup
- Premium Stainless Steel Chassis
- Fully Sealed Motor

Product Dimension (mm):
895 (W) x 548-1,000 (H) x 500 (D)



Recirculating System



ELEGANTE EH-H9027ST(SS)

- Suction Power: 1,400m³/hr
- 2-speed Sensor Touch Control
- With Charcoal Filter
- With Oil Cup
- LED Lamp: 2 x 2W
- Premium Stainless Steel Chassis
- Automatic Timer Control
- Time Delay Function

Product Dimension (mm):
900 (W) x 545 (H) x 505 (D)



Your Space, Your Choice

Your kitchen is your sanctuary, so it should be tailor-made just for you. The right kitchen hob for you will be the perfect match for your varied cooking needs and preferences. ELBA Built-in Hob gives you full flexibility in putting it all together, offering a range of options including ceramic, domino, gas and induction cooktops.

SCHOTT
CERAN®

Flexi
Slide

BUILT-IN HOB



CERAMIC HOB

ELBA Ceramic Hobs combine sleek looks with advanced technology. Powerful, innovative and elegant ceramic hobs provide exceptional performance. With ELBA Ceramic Hobs, you will surely enjoy quick heat-up times and a smooth, perfectly flat, easy-to-clean surface.

GAS COOKTOPS

ELBA Gas Cooktops come with an exciting range of deep-well designs to match any kitchen style as well as a host of burner options to meet all cooking styles. From slow to extra fast cooking, ELBA Gas Cooktops are built to exceed your expectations!

INDUCTION HOB

Induction Hobs use the latest hob technology, which uses electromagnetism to heat your pans. With its quick and responsive heat control settings, ELBA Induction Hob offer all the benefits of gas cooking plus the beauty of an elegant, easy-to-clean glass.

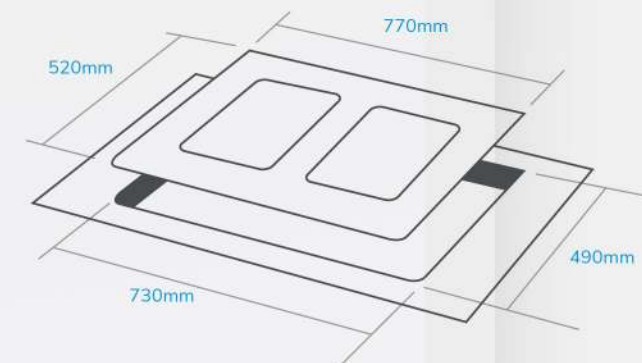
BUILT-IN FLEXI INDUCTION COOKER

EIC-K7094FZ(BK)

- 4 Cooking Zones:
 - Four Zones with 220mm x 200mm Dimension (2,100W)
 - Flexi Slide Zone with 400mm x 200mm Dimension (3,600W)
- 9-power Level Control
- Schott Ceran Glass
- Flexi Slide Function
- Front Control with Sliding Touch
- With Booster Function
- Automatic Safety Switch Off after 120 Minutes
- 1 - 99 Minutes Cooking Timer
- Safety Child Lock
- Residual Heat Indicator
- Overheating Protector

Product Dimension (mm):
770 (W) x 520 (D)

Built-in Dimension (mm):
730 (W) x 490 (D)



Flexi Slide



Slide your pan freely, to any position of your liking with the activation of Flexi Slide function. The auto sensing feature will recognize how large your cookware is and the selected zone will be automatically activated for convenience.

Combi Mode



The convenience of separating your cooking zones, made possible with Combi Mode. Adjust the cooking zone accordingly to your needs and liking. Activate the selected zone to cook and manage two dishes at the same time or choose to only cook one dish.

Power Bridge



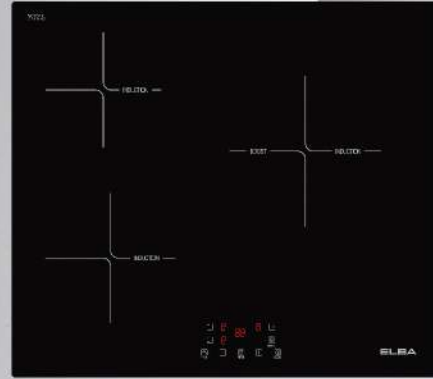
Whip up your favourite dishes with the integrated Power Bridge function. The connection between two separate cooking zones can be done to form one large cooking zone. The perfectly even heat distribution on the entire base of the pan makes it great for grilling and cooking fish with a bigger pan.

BUILT-IN HOB

BUILT-IN INDUCTION COOKER

Induction Cookers are incredible time savers in the kitchen, making them the ultimate accessory for any busy cook. Plus, flameless cooking helps minimise safety hazards.

SCHOTT CERAN®

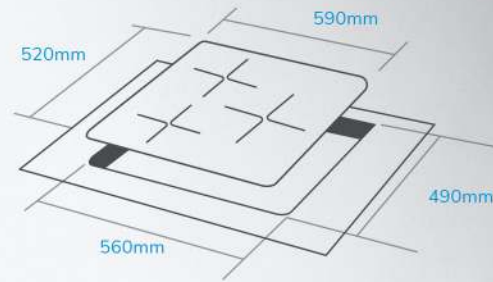


EIC-K6083ST(BK)

- 3 Cooking Zones
- Power Output: 2,200W + 1,800W + 1,400W
- 9-power Level Control
- Schott Ceran Glass
- Front Control with Sensor Touch
- With Booster Function
- Automatic Safety Switch Off after 120 Minutes
- 1 - 99 Minutes Cooking Timer
- Safety Child Lock
- Residual Heat Indicator
- Overheating Protector

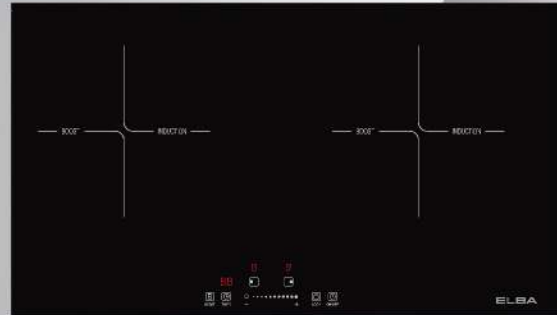
Product Dimension (mm):
590 (W) x 520 (D)

Built-in Dimension (mm):
560 (W) x 490 (D)



BUILT-IN HOB

SCHOTT CERAN®

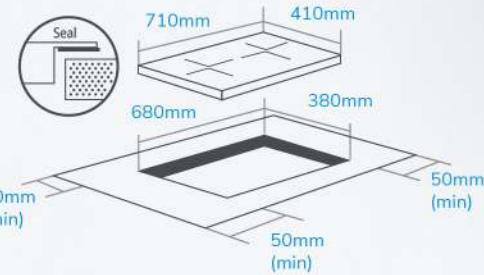


EIC-K7082ST(BK)

- Dual Cooking Zones
- Power Output: 2,100W + 2,100W
- 9-power Level Control
- Schott Ceran Glass
- Front Control with LED Sliding Touch
- With Booster Function
- Automatic Safety Switch Off after 120 Minutes
- 1 - 99 Minutes Cooking Timer
- Safety Child Lock
- Residual Heat Indicator
- Overheating Protector

Product Dimension (mm):
710 (W) x 410 (D)

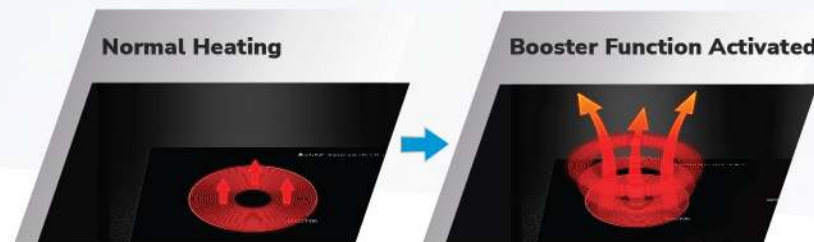
Built-in Dimension (mm):
680 (W) x 380 (D)



With a thickness of just 4mm, SCHOTT CERAN® glass-ceramic cooktop is more durable, heat permeable and transfers the heating energy directly to the cookware.



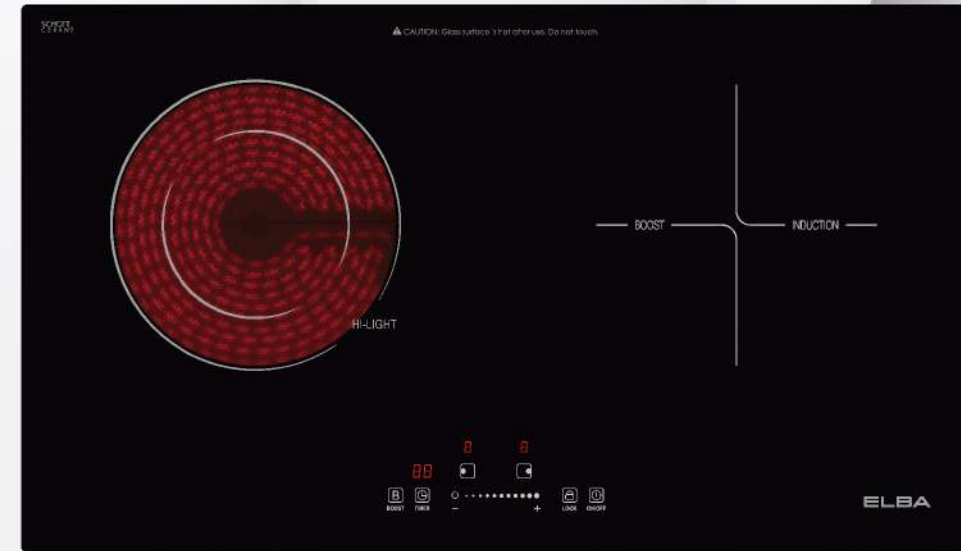
It will detect the base of cooking utensils, allowing food to cook evenly. It can also automatically detect once the utensil is removed and will switch off.



Maximise power by activating the dual zones to perform strong cooking output in reduced cooking time.

BUILT-IN COMBI INDUCTION CERAMIC COOKER

SCHOTT CERAN®

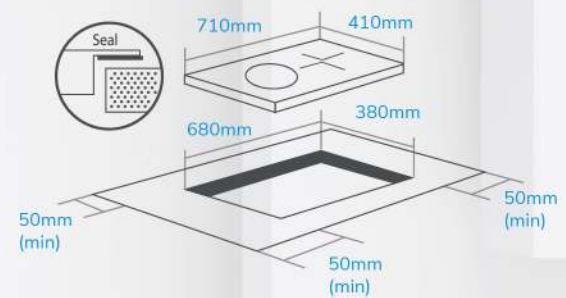


EICH-K7072ST(BK)

- Dual Cooking Zones
- Power Output: 2,200W (Ceramic) + 2,100W (Induction)
- 9-power Level Control
- Schott Ceran Glass
- Front Control with Sliding Touch
- With Booster Function
- With DUAL HEAT Technology
- Automatic Safety Switch Off after 120 Minutes
- 1 - 99 Minutes Cooking Timer
- Safety Child Lock
- Residual Heat Indicator
- Overheating Protector

Product Dimension (mm):
710 (W) x 410 (D)

Built-in Dimension (mm):
680 (W) x 380 (D)



Enjoy the time-saving benefits of induction cooking, and the flexibility of using any type of cookware on a ceramic hob? You don't have to choose between the two. With ELBA Built-in Combi Induction Ceramic Cooker, you can enjoy the best of both worlds.

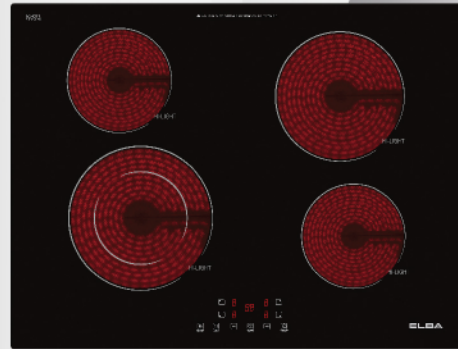


BUILT-IN HOB

BUILT-IN CERAMIC HOB

No cooking flames, easy cleanup after cooking, and a high-end appeal. What's not to like? If a durable and stylish option is what you seek, ELBA Built-in Ceramic Hob is the cooktop for you.

SCHOTT CERAN®

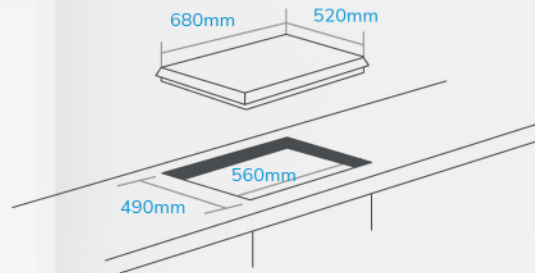


ECH-K6014ST(BK)

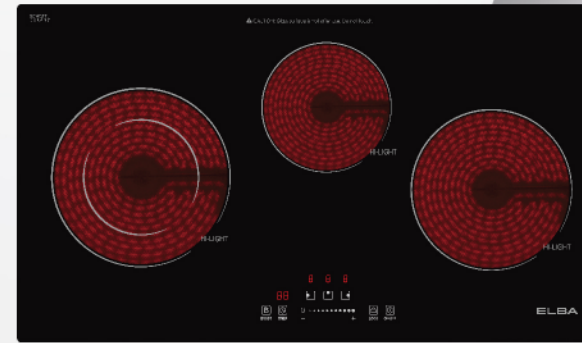
- 4 Cooking Zones
 - Two Zones with 165mm Diameter (1,200W)
 - One Dual Zone with 140mm Diameter (1,000W to 230mm Diameter (2,200W))
 - One Zone with 200mm Diameter (1,800W)
- 9-power Level Control
- High Durability EGO Heating Plate (German)
- Schott Ceran Glass
- Front Control with Sensor Touch
- With DUAL HEAT Technology
- Automatic Safety Switch Off after 120 Minutes
- 1 - 99 Minutes Cooking Timer
- Safety Child Lock
- Residual Heat Indicator
- Overheating Protector

Product Dimension (mm):
680 (W) x 520 (D)

Built-in Dimension (mm):
560 (W) x 490 (D)



SCHOTT CERAN®

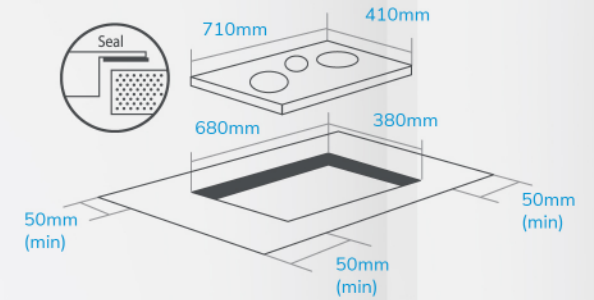


ECH-K7013ST(BK)

- Three Cooking Zones
- Power Output: 2,200W + 1,800W + 1,200W
- 9-power Level Control
- Schott Ceran Glass
- Front Control with Sliding Touch
- With DUAL HEAT Technology
- Automatic Safety Switch Off after 120 Minutes
- 1 - 99 Minutes Cooking Timer
- Safety Child Lock
- Residual Heat Indicator
- Overheating Protector

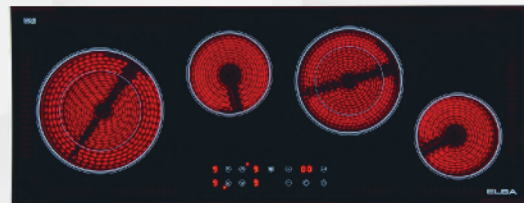
Product Dimension (mm):
710 (W) x 410 (D)

Built-in Dimension (mm):
680 (W) x 380 (D)



BUILT-IN HOB

BUILT-IN HOB

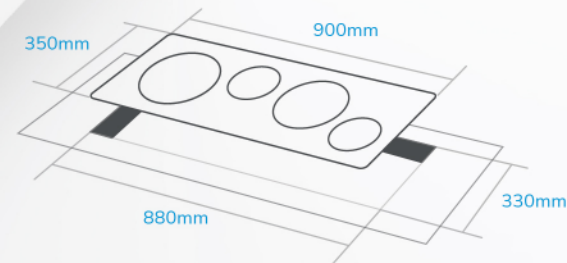


ECH-A9004ST

- 4 Cooking Zones
 - Two Zones with 140mm Diameter (1,200W)
 - One Dual Zone with 120mm Diameter (700W to 180mm Diameter (1,700W))
 - One Dual Zone with 140mm Diameter (1,000W to 210mm Diameter (2,200W))
- 9-power Level Control
- High Durability EGO Heating Plate (German)
- EuroKera Glass
- Front Control with Sensor Touch
- With DUAL HEAT Technology
- 1 - 99 Minutes Cooking Timer
- Safety Child Lock
- Residual Heat Indicator
- Overheating Protector

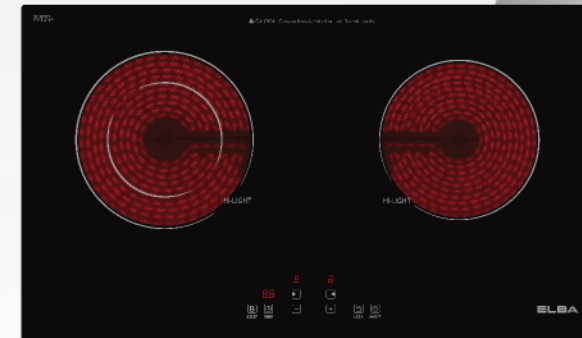
Product Dimension (mm):
900 (W) x 350 (D)

Built-in Dimension (mm):
880 (W) x 330 (D)



13 Amp Plug

SCHOTT CERAN®

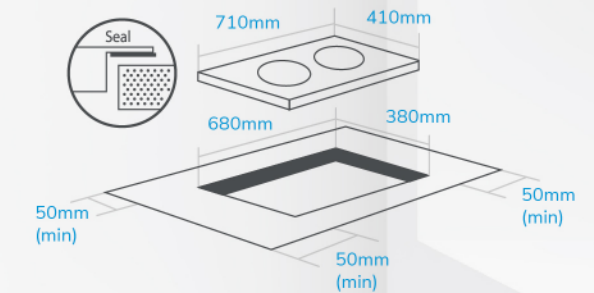


ECH-K7012ST(BK)

- Dual Cooking Zones
- Power Output: 2,200W + 1,800W
- 9-power Level Control
- High Durability EGO Heating Plate (German)
- Schott Ceran Glass
- Front Control with Sensor Touch
- With DUAL HEAT Technology
- Automatic Safety Switch Off after 120 Minutes
- 1 - 99 Minutes Cooking Timer
- Safety Child Lock
- Residual Heat Indicator
- Overheating Protector

Product Dimension (mm):
710 (W) x 410 (D)

Built-in Dimension (mm):
680 (W) x 380 (D)

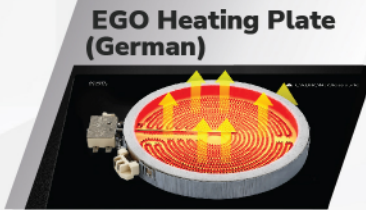


SCHOTT CERAN® Glass



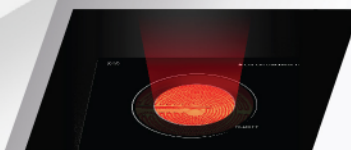
With a thickness of just 4mm, SCHOTT CERAN® glass-ceramic cooktop is more durable, heat permeable and transfer the heating energy directly to the cookware.

EGO Heating Plate (German)

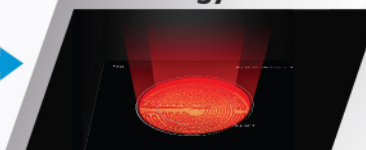


EGO Radiant Heating Elements maintain a consistent, steady level of heat at all times - including circuit breaker protection.

Normal Heating



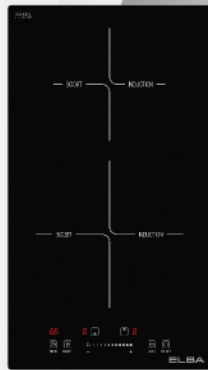
DUAL HEAT Technology Activated



Maximise power by activating the dual zones to perform strong cooking output in reduced cooking time

BUILT-IN DOMINO HOB

SCHOTT CERAN®

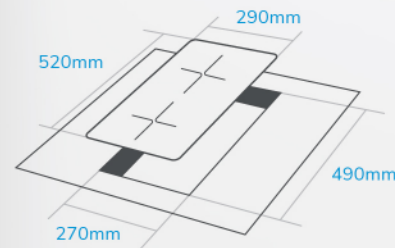


EDIC-K3082ST(BK)

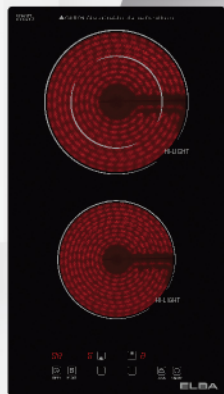
- 290mm Built-in Induction Hob
- Dual Cooking Zones
- Power Output: 2,100W + 1,500W
- Schott Ceran Glass
- 9-power Level Control
- Front Control with Sliding Touch
- With Booster Function
- Automatic Safety Switch Off after 120 Minutes
- 1 - 99 Minutes Cooking Timer
- Safety Child Lock
- Residual Heat Indicator
- Overheating Protector

Product Dimension (mm):
290 (W) x 520 (D)

Built-in Dimension (mm):
270 (W) x 490 (D)



SCHOTT CERAN®

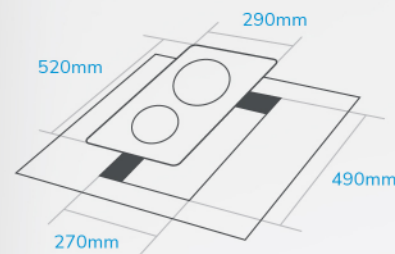


EDCH-K3012ST(BK)

- 290mm Built-in Ceramic Hob
- Dual Cooking Zones
- Power Output: 2,000W + 1,200W
- Schott Ceran Glass
- 9-power Level Control
- Front Control with Sensor Touch
- With DUAL HEAT Technology
- Automatic Safety Switch Off after 120 Minutes
- 1 - 99 Minutes Cooking Timer
- Safety Child Lock
- Residual Heat Indicator
- Overheating Protector

Product Dimension (mm):
290 (W) x 520 (D)

Built-in Dimension (mm):
270 (W) x 490 (D)

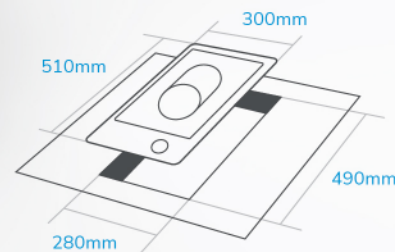


EDH-3111C

- 300mm Built-in Ceramic Hob
- One Dual Zone with 140mm Diameter (1,100W) to 250mm Diameter (2,000W) Oval Extension Zone
- Front Control with Dial System
- High Heat-Resistant Glass
- 1 - 99 Minutes Cooking Timer
- Safety Child Lock
- Residual Heat Indicator
- Overheating Protector

Product Dimension (mm):
300 (W) x 510 (D)

Built-in Dimension (mm):
280 (W) x 490 (D)



SABAF

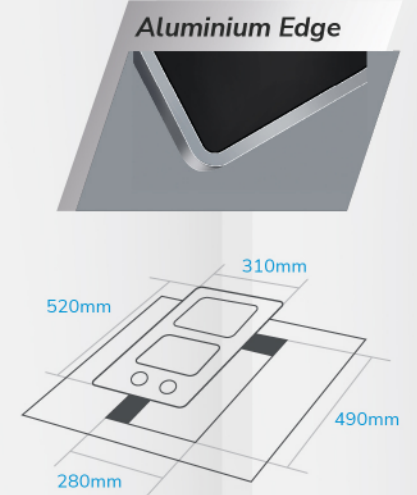


EDH-F3302G(BK)

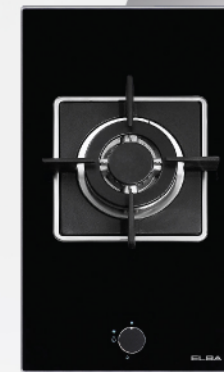
- 300mm Built-in Hob
- Original Italian SABAF Burners including:
 - 1 Rapid Burner (3.0kW)
 - 1 Auxiliary Burner (1.0kW)
- Safety Valve (Flame Failure Device)
- Battery Auto Ignition System
- Cast Iron Pan Support
- Cast Iron Wok Support
- High Quality Tempered Glass
- Embraced Aluminium Frame

Product Dimension (mm):
310 (W) x 520 (D)

Built-in Dimension (mm):
280 (W) x 490 (D)



SABAF

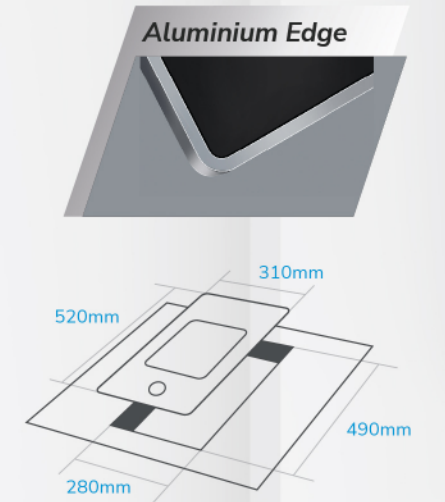


EDH-F3401G(BK)

- 300mm Built-in Hob
- 1 Triple Ring Original Italian SABAF Burner (3.8kW)
- Safety Valve (Flame Failure Device)
- Battery Auto Ignition System
- Cast Iron Pan Support
- Cast Iron Wok Support
- High Quality Tempered Glass
- Embraced Aluminium Frame

Product Dimension (mm):
310 (W) x 520 (D)

Built-in Dimension (mm):
280 (W) x 490 (D)



BUILT-IN HOB

BUILT-IN HOB



BUILT-IN STAINLESS STEEL HOB

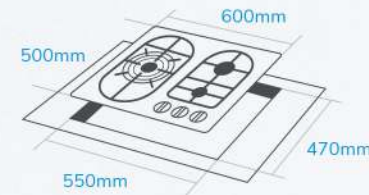


EBH-6630(BK)

- Original Italian SABAF Burners Including:
 - 1 Triple Ring Burner (3.5kW)
 - 1 Semi-rapid Burner (1.75kW)
 - 1 Auxiliary Burner (1.0kW)

Product Dimension (mm):
600 (W) x 500 (D)

Built-in Dimension (mm):
550 (W) x 470 (D)

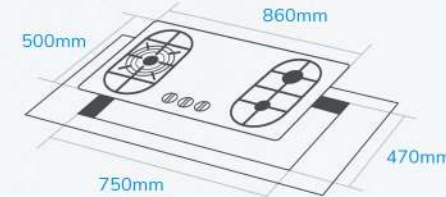


EBH-9930

- Original Italian SABAF Burners Including:
 - 1 Triple Ring Burner (3.5kW)
 - 1 Semi-rapid Burner (1.75kW)
 - 1 Auxiliary Burner (1.0kW)

Product Dimension (mm):
860 (W) x 500 (D)

Built-in Dimension (mm):
750 (W) x 470 (D)

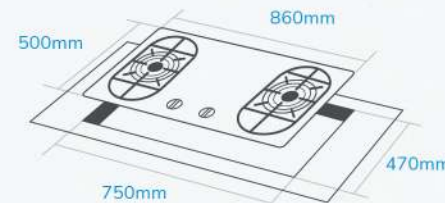


EBH-9920

- Original Italian SABAF Burners Including:
 - 2 Triple Ring Burners (3.5kW)

Product Dimension (mm):
860 (W) x 500 (D)

Built-in Dimension (mm):
750 (W) x 470 (D)



NEW

5.0kW

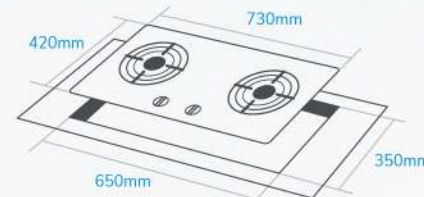


EBH-M8962(SS)

- 2x Triple Ring Burners (5.0kW)

Product Dimension (mm):
730 (W) x 420 (D)

Built-in Dimension (mm):
650 (W) x 350 (D)



COMMON POINTS

- Safety Valve (Flame Failure Device)
 - Battery Auto Ignition System
 - Cast Iron Pan Support
 - Cast Iron Wok Support*
- *Except EBH-M8962(SS)

BUILT-IN GLASS HOB

Form meets function in the ELBA Built-in Glass Hob. Featuring durable Schott glass, the hob's elegant finish is complemented by superior Italian SABAF burners.

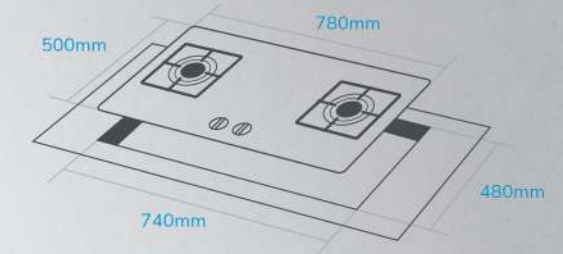


EGH-H9592G(BK)

- 2 Triple Ring M-Burners (4.0kW)
- High Quality Tempered Glass
- Safety Valve (Flame Failure Device)
- Cast Iron Pan Support
- Battery Auto Ignition System

Product Dimension (mm):
780 (W) x 500 (D)

Built-in Dimension (mm):
740 (W) x 480 (D)



M-BURNERS

ELBA's latest generation of high-efficiency burners with breakthrough design in triple-ring and rotated flames, ensure different cooking habits as a result of its excellent performance.

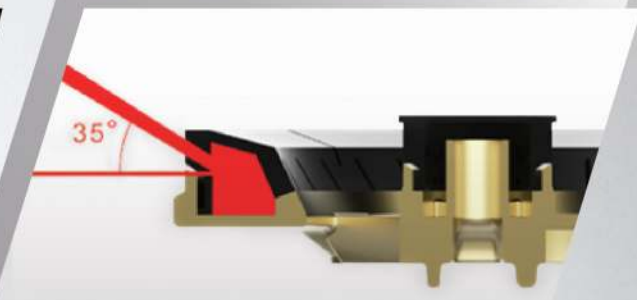
> 60% Gas Efficiency Performance

Rapid Heat



ELBA Burners on gas hobs have a very high output to cook fast and economically, so even a litre of water can boil approximately two minutes faster than on other burners.

Flame Features



A triple ring flame. Flame type: direct fire + swing fire. Outer ring fire angle: 35 degrees with the horizontal partition.

Flame Control



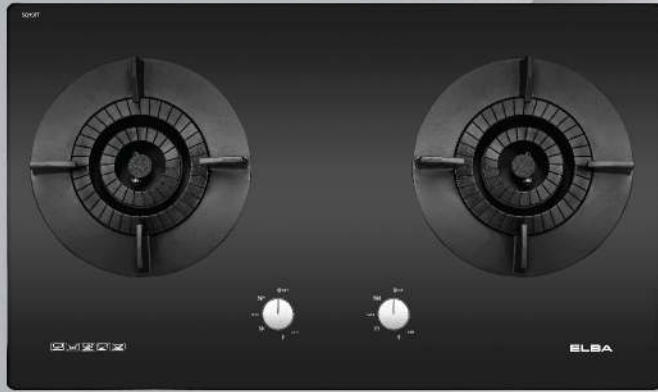
The flame failure safety device shuts down the supply of gas to the hob if the flame goes out for any reason, making sure there is no flame, no gas.

Simple Ignition



Integrated into the knobs, electronic ignition provides easy and simple ignition for gas burners.

6.4kW SCHOTT

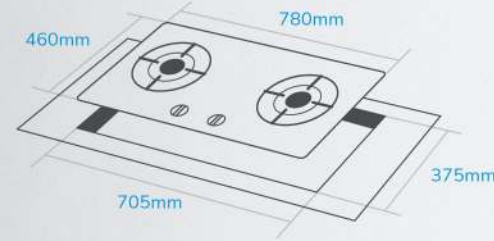


EGH-J8662G (BK)

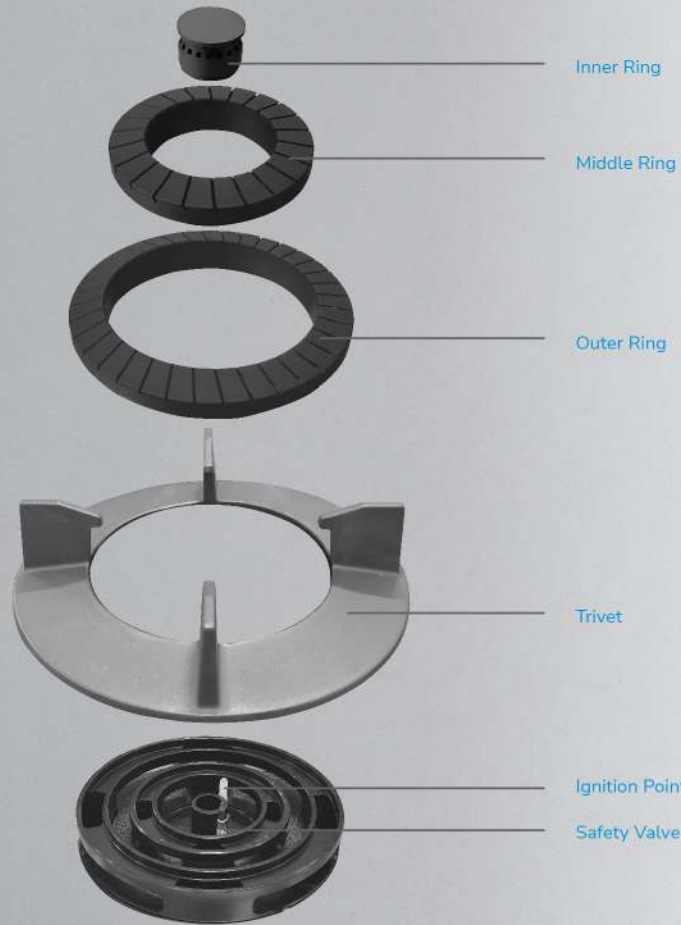
- 2 Quattro Burners (6.4kW)
- 8-power Level Control
- Schott Glass
- Safety Valve (Flame Failure Device)
- Cast Iron Pan Support
- Battery Auto Ignition System

Product Dimension (mm):
780 (W) x 460 (D)

Built-in Dimension (mm):
705 (W) x 375 (D)



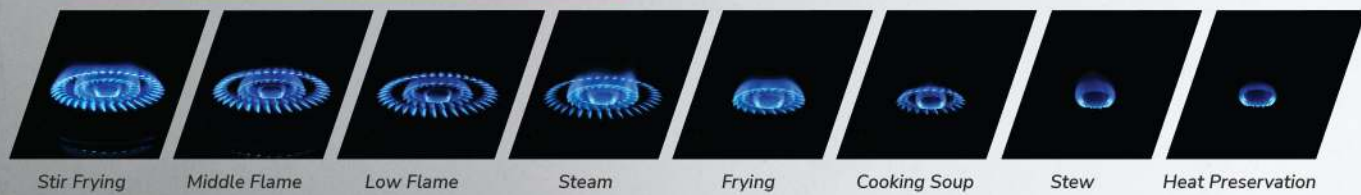
BUILT-IN HOB



QUATTRO BURNERS

High efficiency is the utmost priority when it comes to whipping up swoon-worthy cuisine that will keep your family and friends coming back for more. With different flames available for you to choose from, you can steam, fry, stew and many more while you preserve the needed heat to keep it warm and tasty!

BURNER RATING 6.4KW



6.4KW

5.0kW SABAF

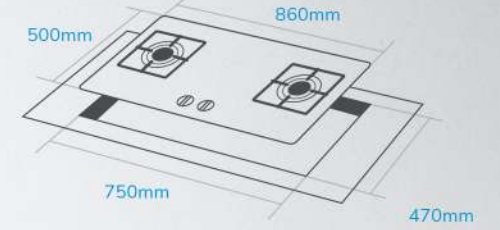


EGH-F9542G (GR)

- Original Italian SABAF Burners Including:
- 2 Triple Ring Burners (5.0kW)
- Grey Tempered Glass

Product Dimension (mm):
860 (W) x 500 (D)

Built-in Dimension (mm):
750 (W) x 470 (D)



5.0kW SABAF

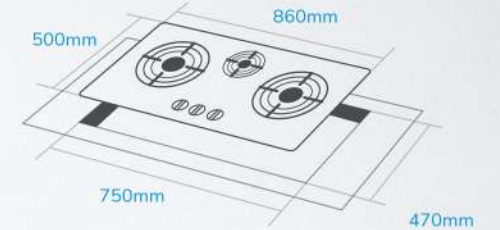


EGH-E9523G (GR)

- Original Italian SABAF Burners Including:
- 2 Triple Ring Burners (5.0kW)
- 1 Semi-rapid Burner (1.75kW)
- Grey Tempered Glass
- Aesthetic Round Knob

Product Dimension (mm):
860 (W) x 500 (D)

Built-in Dimension (mm):
750 (W) x 470 (D)



5.0kW SABAF

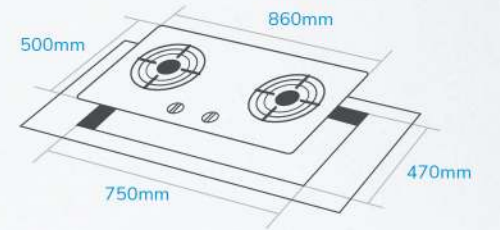


EGH-E9522G (GR)

- Original Italian SABAF Burners Including:
- 2 Triple Ring Burners (5.0kW)
- Grey Tempered Glass
- Aesthetic Round Knob

Product Dimension (mm):
860 (W) x 500 (D)

Built-in Dimension (mm):
750 (W) x 470 (D)



COMMON POINTS /

- Safety Valve (Flame Failure Device)
- Battery Auto Ignition System
- Cast Iron Pan Support
- Cast Iron Wok Stand
- Embraced Aluminium Frame

Italian SABAF Burners (5.0kW)



Powerful Italian made burner with intense heat and steady flame to perform fast cooking and efficient gas consumption.

Aluminium Edge



BUILT-IN HOB



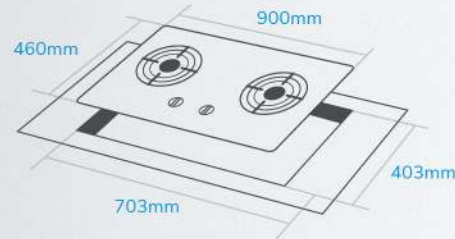
5.0kW

EGH-K9582G(BK)

- 2 Triple Ring Burners (5.0kW)
- High Quality Tempered Glass With Bevelled Edges
- Automatic Battery Ignition
- Safety Valve (Flame Failure Device)
- Cast Iron Pan Support
- Cast Iron Wok Support

Product Dimension (mm):
900 (W) x 460 (D)

Built-in Dimension (mm):
703 (W) x 403 (D)



BUILT-IN HOB

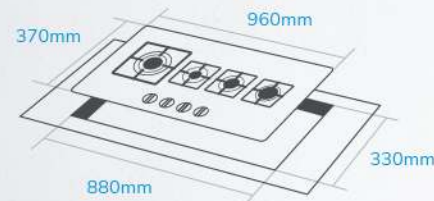


EGH-C9432G(BK)

- Original Italian SABAF Burners including:
 - 1 Triple Ring Burner (3.8kW)
 - 1 Rapid Burner (3.0kW)
 - 1 Semi-rapid Burner (1.75kW)
 - 1 Auxiliary Burner (1.0kW)
- Full Black Tempered Glass

Product Dimension (mm):
960 (W) x 370 (D)

Built-in Dimension (mm):
880 (W) x 330 (D)

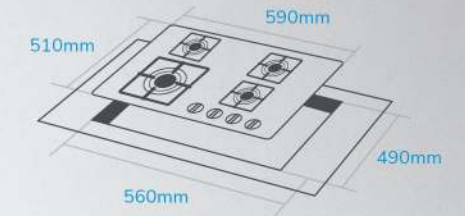


EGH-G6404G(BK)

- 4 Original Italian SABAF Burners including:
 - 1 Triple Ring Burner (4.2kW)
 - 2 Semi-rapid Burners (1.75kW)
 - 1 Auxiliary Burner (1.0kW)
- Full Black Tempered Glass
- Embraced Aluminium Frame

Product Dimension (mm):
590 (W) x 510 (D)

Built-in Dimension (mm):
560 (W) x 490 (D)



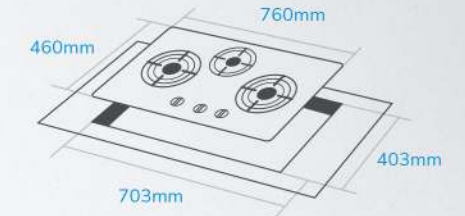
5.0kW

EGH-K8943G(BK)

- 2 Triple Ring Burners (5.0kW)
- 1 Auxiliary Ring Burner (1.8kW)
- High Quality Tempered Glass With Bevelled Edges

Product Dimension (mm):
760 (W) x 460 (D)

Built-in Dimension (mm):
703 (W) x 403 (D)



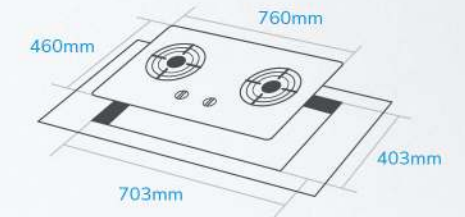
5.0kW

EGH-K8942G(BK)

- 2 Triple Ring Burners (5.0kW)
- High Quality Tempered Glass With Bevelled Edges

Product Dimension (mm):
760 (W) x 460 (D)

Built-in Dimension (mm):
703 (W) x 403 (D)



BUILT-IN HOB

COMMON POINTS

- Safety Valve (Flame Failure Device)
- Battery Auto Ignition System
- Cast Iron Pan Support
- Cast Iron Wok Stand

DISHWASHER

Love to Cook, But Don't Love The Cleanup?

After labouring away in the kitchen all day to cook up a storm, the last thing you want to deal with is being buried in dirty dishes. Leave them all to ELBA Dishwasher - you get squeaky clean dishes with none of the hassle.



DISHWASHER

Third Rack



The upper cutlery basket is designed for the placement of large and small cutlery and utensils for easy cleaning.

Adjustable Rack



The flexible racks by adjusting the height enable the placement of large items such as pans and pots.

Mini Active Drying



A mini fin with low noise level to provide the best drying performance of the dishes.



EDW-M1368D(BS)

- Capacity: 13 Place Settings
- 6 Washing Programmes
- i-CLEAN TECH
- Prewash, Extra Rinse, Extra Dry Features
- Delay Start (Up to 24 Hours)

Product Dimension (mm):
598 (W) x 850 (H) x 598 (D)

13 13 Place Settings	6 Washing Programmes	Delay Start	Third Layer Cutlery Basket
Half Loading Setting	Premium Stainless Steel Interior	Upper, Lower and Top Spray Arms	



i-CLEAN TECH
An extra hygienic and cleaner washing technology by altering water temperature and washing time to eliminate bacteria.



EDW-M1331D(WH)

- Capacity: 13 Place Settings
- 3 Washing Programmes
- Smart ECO
- Delay Start (Up to 9 Hours)

Product Dimension (mm):
598 (W) x 850 (H) x 598 (D)

13 13 Place Settings	3 Washing Programmes	Delay Start	Third Layer Cutlery Basket
Half Loading Setting	Premium Stainless Steel Interior	Upper, Lower and Top Spray Arms	

Cutlery Basket



Metal Filter



Mug Shelves



COMMON POINTS

- Upper, Lower and Top Spray Arms
- Third Layer Cutlery Basket
- With Rinse Aid Indicator, Salt Indicator
- Half Loading Setting
- Height Adjustable Upper Basket
- Hidden Type Heating Element
- Metal Waste Filter
- Premium Stainless Steel Interior
- With Child Lock

DISHWASHER