

Professional

H
O
M
E

S
E
R
I
E
S

2
0
2
1

PROFESSIONAL
HOME
COOKING

AN INVITATION TO
VIEW OUR LATEST
COLLECTION



FIAMMA SDN.BHD. (47268-M)
Wisma Fiamma, No.20, Jalan 7A/62A,
Bandar Manjalara, 52200 Kuala Lumpur.
Tel : 03-6279 8888 Fax : 03-6279 8846



ELBAMalaysia

www.elba.com.my



Catalogue



Satisfaction AT THE TIP OF TONGUE



Compact and non-space intruding, ELBA Callista Collection is keen to satisfy you with your burning desire to put together your very own 5-star meals all while keeping your living environment safe and elegant.

Take the chance to appreciate the timeless classic design Callista Collection has to offer in order to bring your house design up to another level.

*Product images are for illustration purposes only.
Actual colours and specifications may vary from images shown in this catalogue.

CONTENT

CALLISTA COLLECTION

- 04 Built-in Oven
- 05 Built-in Microwave Oven
- 05 Built-in Steam Oven
- 06 Built-in Coffee Machine
- 06 Built-in Warming Drawer

PROFESSIONAL RANGE

- 08 Professional Range Cooker
- 10 Gas Cooker

BUILT-IN OVEN

- 12 Built-in Twin Oven
- 13 Built-in Oven
- 15 Built-in Steam Oven
- 16 Built-in Microwave Oven

COOKER HOOD

- 18 Designer Hood

BUILT-IN HOB

- 24 Built-in Flexi Induction Cooker
- 25 Built-in Induction Cooker
- 26 Built-in Combi Induction Ceramic Cooker
- 27 Built-in Ceramic Hob
- 29 Built-in Domino Hob
- 31 Built-in Glass Hob
- 36 Built-in Stainless Steel Hob

DISHWASHER

- 38 Dishwasher

CALLISTA COLLECTION



DO *Everything*
ALL AT ONCE

The classic, never go-out-of-style Callista Collection comprises of multiple compact appliances aim to give you the best of cooking life without sacrificing your precious space in your home. Now you can manage your oven, microwave oven, steam oven, coffee machine and warming drawer, all in a compact space.



Sensor Touch Control

The Callista Collection features full sensor touch screens that are not only intuitive but also enjoys a rational disposition thanks to bright colouring and clear graphic content

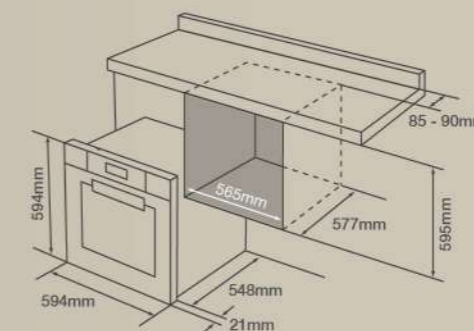
BUILT-IN OVEN



EBO-H7310TFT(BK)

- Oven Capacity: 73 Litres
- 10-function Oven
- TFT Colourful LCD Sensor Touch Control
- Pyrolytic Technology at 470°C with Self-cleaning Function
- Triple Glazed Removable Glass Door
- 2 Grilling Racks, 2 Pans

Product Dimension (mm):
594 (W) x 594 (H) x 548 (D)
Built-in Dimension (mm):
565 (W) x 595 (H) x 577 (D)



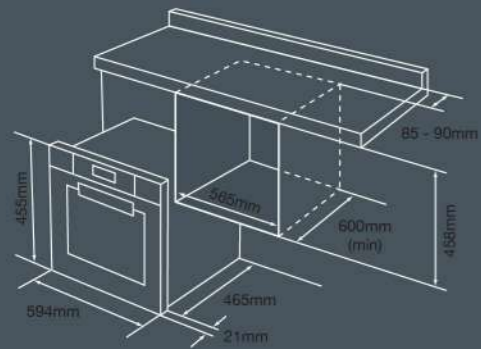
BUILT-IN MICROWAVE OVEN



EMO-H3880TFT (BK)

- Oven Capacity: 38 Litres
- 8-function Oven
- TFT Colourful LCD Sensor Touch Control
- Triple Glazed Removable Glass Door
- Cavity Cooling System
- Cool Touch Glass under 50°C
- 1 Roller Ring, 1 Glass Tray, 1 Grilling Rack, 1 Baking Tray

Product Dimension (mm):
594 (W) x 455 (H) x 485 (D)
Built-in Dimension (mm):
565 (W) x 458 (H) x min 600 (D)



BUILT-IN STEAM OVEN



STEAM OVEN
INNER TANK



ESGO-H3850TFT (BK)

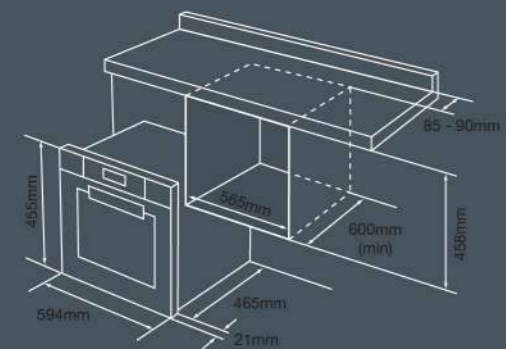
- Oven Capacity: 38 Litres
- 5-function Oven
- TFT Colourful LCD Sensor Touch Control
- Triple Glazed Removable Glass Door
- 1 Steam Tray, 1 Drip Tray, 1 Grilling Rack

Product Dimension (mm):
594 (W) x 455 (H) x 465 (D)
Built-in Dimension (mm):
565 (W) x 458 (H) x min 600 (D)



Steam Oven Inner Tank
Combination Modes

Perfect roasting, baking steam cooking and other operating modes in a combination of your choice.



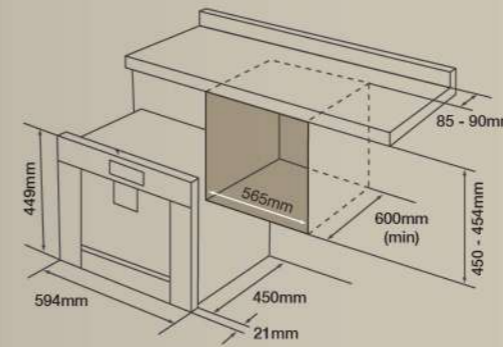
BUILT-IN COFFEE MACHINE



ECM-H1835TFT (BK)

- Pump Power: 19 Bar
- 3 Coffee Function
- 2 Steam Function
- TFT Colourful LCD Sensor Touch Control
- Intelligent Pre-brew Aroma System
- Adjustable 5-levels Coffee Grinder
- Patented Built-in Water Tank Up to 1.8 Litres
- Adjustable Amount of Coffee: 30cc - 240cc
- Automatic Self-maintenance and Control Systems
- Adjustable Coffee Strength: Mild, Normal, Strong

Product Dimension (mm):
594 (W) x 449 (H) x 450 (D)
Built-in Dimension (mm):
565 (W) x 450-454 (H) x min 600 (D)



Coffee Bean Storage in
the Bean Reservoir

With the whole bean system, you can store any variety of coffee bean in the bean reservoir and brew ground coffee by the cup, giving you the ultimate freedom of choice. The new Built-in Coffee Machine gives you the freedom to select from 12 standard varieties from mild to strong, smooth to intense, all with exquisite flavour and aroma.

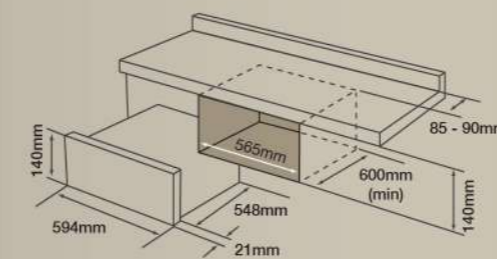
BUILT-IN WARMING DRAWER



EWMD-H6060TS (BK)

- Temperature: 30°C - 80°C
- 6-place Settings
- Cool Touch Glass Front Panel
- Telescopic Pull Out Drawer
- Push Button Door
- Hot Air Fan System for Heating Crockery

Product Dimension (mm):
594 (W) x 140 (H) x 548 (D)
Built-in Dimension (mm):
565 (W) x 140 (H) x min 600 (D)



Simply Practical and
Multi-purpose Use

The multifunction ELBA Warming Drawer keep cups and plates warm before serving. It can even be used to preheat food, and cook at low temperatures.

PROFESSIONAL RANGE COOKER



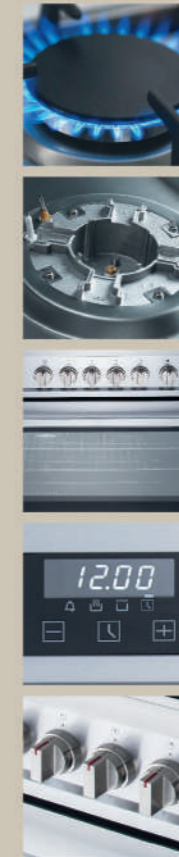
Sumptuous

MEETS PROFESSIONAL

Revamp your home-cooked simple meal into mouth-watering gourmet foods that will surely wow your family and friends and leave them with a happy smile on their face!

Make all of this happen with ELBA Professional Range Cooker that will ensure your journey into creating amazing and delectable Western, Eastern and different cuisine of the world possible.

115
Litres



ITALIAN SABAF BURNERS

Powerful flame for fast cooking and efficient gas consumption.

FLAME FAILURE DEVICE

Thermostat reacts to cut off gas supply when flame is accidentally extinguished.

LARGE VIEWING WINDOW

Cooking progress is now in full view.

SENSOR TOUCH

Time at a glance.

IGNITION

With just a push and turn, the gas ignites quickly and automatically without the need of lighter.

EPRC-H9880ST(SS)

- Oven Capacity: 115 Litres
- 8-function Oven
- Sensor Touch Control with LED Display
- Original Italian SABAF Burner with Safety Valve including:
 - 3 Triple Ring Burners (3.7kW)
 - 2 Semi-rapid Burners (1.75kW)
- Cavity Cooling System
- Double Circulation Fans
- Double Glazed Glass Door
- Easy Clean Removable Inner Glass Door
- Slide-out Drawer

Product Dimension (mm):

900 (W) x 910 (H) x 600 (D)



Light



Conventional
(Top + Bottom Elements)



Bottom Element
+ Fan



Top Element Only



Top Grilling



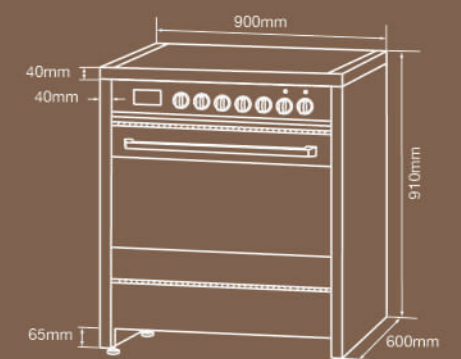
Grill + Fan



Fan Only



Defrost

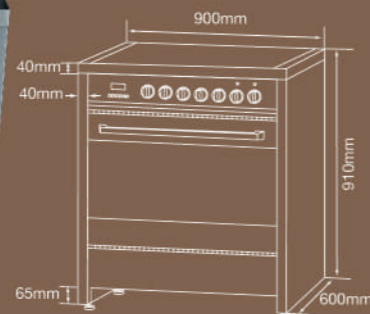




Blue Flame For Efficient Cooking.



Large Oven Capacity Cooks More In Less Time.



EPRC-9860E/SS

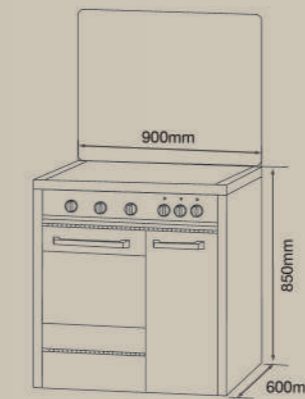
- Oven Capacity: 105 Litres
- 8-function Oven
- Original Italian SABAF Burners with Safety Valve including:
 - 3 Triple Ring Burners (3.7kW)
 - 2 Semi-rapid Burners (1.75kW)
- Cavity Cooling System
- Double Oven Lamps
- Double Circulation Fans
- Double Glazed Glass Door
- Easy Clean Removable Inner Glass Door
- Slide-out Drawer

Product Dimension (mm):
900 (W) x 910 (H) x 600 (D)



GAS COOKER WITH GAS OVEN

Whip up a quick meal for you and loved ones without compromising on the quality of your eats. Get cooking with ELBA Gas Cooker Range gives you a great control of the cooking temperature while keeping your safety in mind. Time efficient and heat-consistent, you are able to cook up a storm and wow your family and friends within a short span of time.



EGC-C9703G(BK)

- Original Italian SABAF Burners including:
 - 2 Triple Ring Burners (3.8kW)
 - 1 Semi-rapid Burner (1.75kW)

Product Dimension (mm):
900 (W) x 850 (H) x 600 (D)

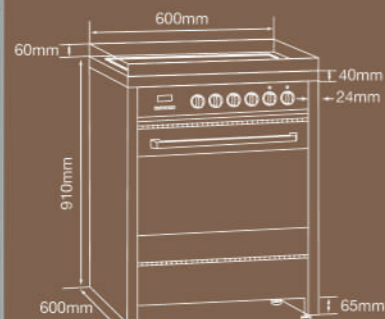
EGC-C9704G(BK)

- Original Italian SABAF Burners including:
 - 1 Triple Ring Burner (3.8kW)
 - 1 Rapid Burner (3.0kW)
 - 1 Semi-rapid Burner (1.75kW)
 - 1 Auxiliary Burner (1.0kW)
- Oven Capacity: 70 Litres
- Full Gas Oven with Rotisserie
- SABAF Safety Valve for Gas Oven
- Colour: Black

Product Dimension (mm):
900 (W) x 850 (H) x 600 (D)



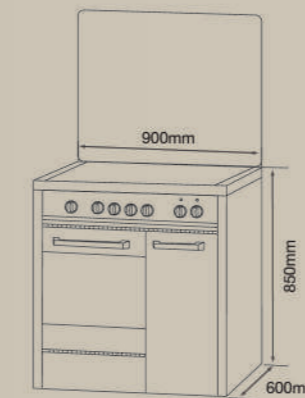
GAS COOKER WITH ELECTRIC OVEN



EPRC-A6456GE(SS)

- Oven Capacity: 56 Litres
- 8-function Oven
- Original Italian SABAF Burners with Safety Valve including:
 - 1 Triple Ring Burner (3.7kW)
 - 2 Semi-rapid Burners (1.75kW)
 - 1 Auxiliary Burner (1.0kW)
- Cavity Cooling System
- Tempered Glass Top Cover
- Interior Oven Lamp
- Double Glazed Glass Door
- Easy Clean Removable Inner Glass Door
- Slide-out Drawer

Product Dimension (mm):
600 (W) x 910 (H) x 600 (D)



EGC-C9783E(SS)

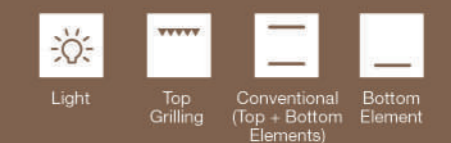
- Original Italian SABAF Burners including:
 - 2 Triple Ring Burners (3.8kW)
 - 1 Semi-rapid Burner (1.75kW)

Product Dimension (mm):
900 (W) x 850 (H) x 600 (D)

EGC-C9784E(SS)

- Original Italian SABAF Burners including:
 - 1 Triple Ring Burner (3.8kW)
 - 1 Rapid Burner (3.0kW)
 - 1 Semi-rapid Burner (1.75kW)
 - 1 Auxiliary Burner (1.0kW)
- Oven Capacity: 70 Litres
- Full Electric Oven with Grill
- Mechanical Timer on Oven
- Colour: Stainless Steel

Product Dimension (mm):
900 (W) x 850 (H) x 600 (D)



// COMMON POINTS

- Electronic Control & Digital Clock with Automatic Cut-off Timer
- Stainless Steel Hob with Cast Iron Pan Support

- Large Viewing Window with Aluminium Handle
- 2 Grilling Racks, 1 Baking Tray

// COMMON POINTS

- Enamel Pan Support
- With Tempered Glass Top Cover
- Interior Oven Lamp
- Automatic Electric Ignition
- Large Viewing Window with Aluminium Handle
- Double Glazed Glass Door
- Gas Cylinder Compartment
- 1 Grilling Rack, 1 Baking Tray

BUILT-IN OVEN



Style WITH FUNCTIONALITY

Every meal is a masterpiece that needs to be appreciated. With ELBA Built-in Oven, whether you are a busy businessperson, amateur chef or seasoned cook, you can create your applaud-worthy cuisine from scratch or have the option to reheat and grill those leftovers.

2 dishes,
2 temperatures
ALL IN 1
smart oven

TWIN OVEN

Twin Oven offers two unique cooking zones for two different meals. Each zone can be independently controlled to ensure the perfect temperature.

For smaller dishes, insert the divider and use one half of the oven in isolation. No energy is wasted.

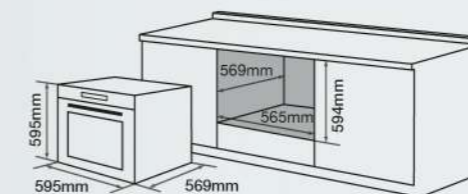
BUILT-IN TWIN OVEN



ESPERTO EBO-F7018TW(SS)

- Oven Capacity: 70 Litres
- 18-function Oven with Individually Controlled Top and Bottom Cavity
- Main Function includes Convection, Large Grill, Small Grill, Top Heat, Bottom Heat, Upper Mode, Lower Mode and Defrost
- Max Temperature: 250°C
- Sensor Touch Control with Twin LED Display
- Big Capacity with Centre Divider
- Triple Glazed Removable Glass Door with Large Viewing Window
- Cool Touch Glass under 50°C
- Twin Fan and Double Oven Lights
- 1 Divider, 1 Probe, 2 Grilling Racks, 2 Pans
- With Rotisserie

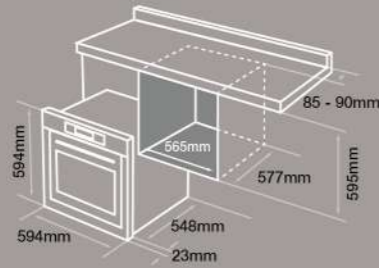
Product Dimension (mm):
595 (W) x 595 (H) x 569 (D)
Built-in Dimension (mm):
565 (W) x 594 (H) x 569 (D)



BUILT-IN OVEN



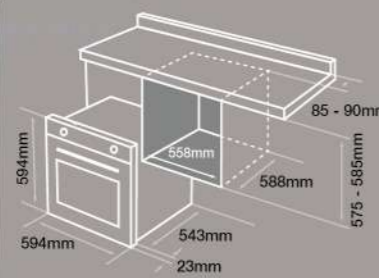
SENSOR TOUCH CONTROL PANEL WITH TFT LCD DISPLAY



EBO-G7010TFT(SS)

- Oven Capacity: 70 Litres
- 10-function Oven
- Thin-film-transistor Liquid-crystal (TFT LCD) Display
- Sensor Touch Control Panel with TFT LCD Display
- Digital Clock with Automatic Cut-off Timer
- Triple Glazed Removable Glass Door
- 2 Pans, 2 Grilling Racks, 1 Probe
- Telescopic Pull Out System
- Pre-set Programme with Multi Program Selection

Product Dimension (mm):
594 (W) x 594 (H) x 548 (D)
Built-in Dimension (mm):
565 (W) x 595 (H) x 577 (D)



EBO-E7081D(SS)

- Oven Capacity: 70 Litres
- 8-function Oven
- Digital Clock with Automatic Cut-off Timer
- Triple Glazed Removable Glass Door
- 2 Grilling Racks, 2 Pans

Product Dimension (mm):
594 (W) x 594 (H) x 543 (D)
Built-in Dimension (mm):
558 (W) x 575-585 (H) x 588 (D)



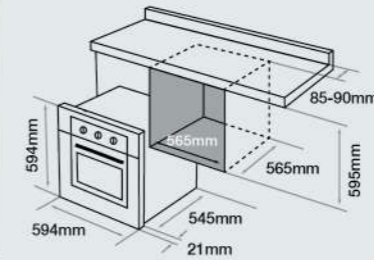
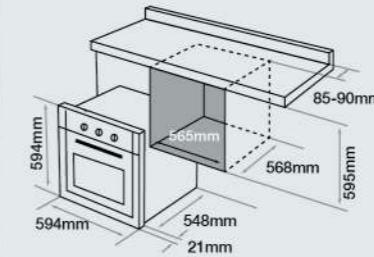
// COMMON POINTS

- Max Temperature: 250°C
- Interior Oven Lamp
- Concealed Bottom Heating Element
- Enamelled Oven Interior
- Removable Side Rack Support
- Cool Touch Glass under 50°C
- Cavity Cooling System
- With Rotisserie

DIVO EBO-K7370(SS) New

- Oven Capacity: 73 Litres
- 7-function Oven
- Mechanical Control
- Triple Glazed Removable Glass Door
- 2 Pans, 2 Grilling Rack
- Removable Side Rack Support

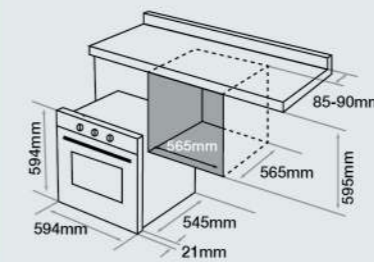
Product Dimension (mm):
594 (W) x 594 (H) x 548 (D)
Built-in Dimension (mm):
565 (W) x 595 (H) x 568 (D)



VOLTO EBO-K5677(SS) New

- Oven Capacity: 56 Litres
- 7-function Oven
- Mechanical Control
- Triple Glazed Removable Glass Door
- 2 Pans, 2 Grilling Rack

Product Dimension (mm):
594 (W) x 594 (H) x 545 (D)
Built-in Dimension (mm):
565 (W) x 595 (H) x 565 (D)



VOLTO EBO-K5670(BK) New

- Oven Capacity: 56 Litres
- 7-function Oven
- Mechanical Control
- Triple Glazed Removable Glass Door
- 1 Pan, 2 Grilling Rack

Product Dimension (mm):
594 (W) x 594 (H) x 545 (D)
Built-in Dimension (mm):
565 (W) x 595 (H) x 565 (D)



// COMMON POINTS

- Max Temperature: 250°C
- Interior Oven Lamp
- Concealed Bottom Heating Element
- Enamelled Oven Interior
- Cool Touch Glass under 50°C
- Cavity Cooling System
- With Rotisserie

BUILT-IN STEAM OVEN

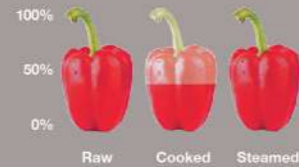
Present hot and steamy foods to your loved ones without worrying about overheating it. ELBA Built-in Steam Oven with a sleek and compact design cooks your meals from the surface to core evenly to help you preserve the delicious juiciness inside.

RETAINS THE NUTRITIONAL VALUE OF FOOD

VITAMIN CONTENT (B2)



MINERAL CONTENT



Steaming not only preserves vitamins and minerals better than any other form of cooking, it also preserves natural flavours, meaning there is practically no need for seasoning.



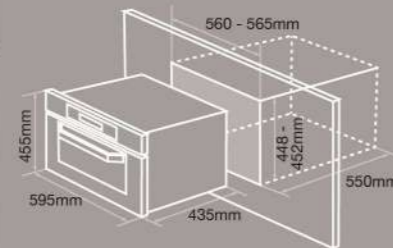
DID YOU KNOW? BENEFITS OF STEAMING

Steaming is recognised as one of the healthiest way of cooking food, as there is no need for any fat or oil in cooking, and all the natural goodness in vegetables are retained. ELBA smart Built-in Steam Oven has variable temperature settings and can even steam frozen food. It is perfect for people who want to enjoy delicious food without compromising their health.

ESO-G3070ST(BK)

- Oven Capacity: 30 Litres
- Rated Power: 2,200W
- Full Sensor Touch Control System with Multi Display
- Removable Built-in Water Tank Up to 1.8 Litres
- Large Water Tank Enables Cooking Times Up to 3 Hours
- Multi Level Storage Racks
- Water Shortage Alarm
- 1 Drip Tray, 1 Steam Tray, 1 Adjustable Rack, 1 Bottom Rack
- Safety Door Opening (Automatically Switches Off if Door is Open)
- Over Heating Protection

Product Dimension (mm):
595 (W) x 455 (H) x 435 (D)
Built-in Dimension (mm):
560-565 (W) x 448-452 (H) x 550 (D)



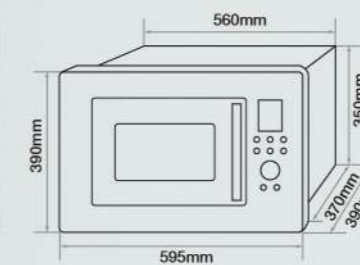
BUILT-IN MICROWAVE OVEN

Variety is key when it comes to proving your professional skills. You too can have the privilege to whip up insta-worthy and delicious variety of food in no time. Elba Built-in Microwave Oven is the choice for a flexible and non-space inhibiting cooking space.



INTEGRATED FRAME

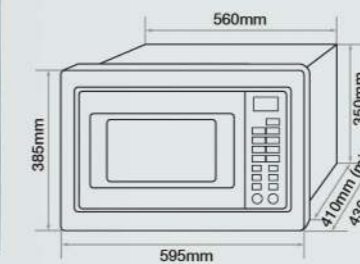
Integrated Stainless Steel Frame adds to seamless kitchen interior



EMO-B2361BI(SS)

- Oven Capacity: 23 Litres
- Rated Power: 1,400W (Microwave), 1,000W (Grill)

Product Dimension (mm):
595 (W) x 390 (H) x 390 (D)
Built-in Dimension (mm):
560 (W) x 350 (H) x 370 (D)



EMO-2306BI

- Oven Capacity: 23 Litres
- Rated Power: 1,400W (Microwave), 1,000W (Grill)

Product Dimension (mm):
595 (W) x 385 (H) x 430 (D)
Built-in Dimension (mm):
560 (W) x 350 (H) x min 410 (D)

// COMMON POINTS

- Microwave Frequency: 2,450MHz
- 6-power Levels: 100%, 80%, 60%, 40%, 20%, 0%
- With Jet Defrost and Weight Defrost Settings
- Multi-stage Cooking
- 8 Manual Cooking Options
- 4 Timer Preset Levels: 15s, 30s, 1 min, 2 mins
- Max Timer: 99 min 99 sec
- Cooking Uniformity: Turntable System
- Pull Handle Door
- Cooking End Signal
- Key Lock Function

COOKER HOOD



DELIGHTFUL *Cooking* WITH FRESH AIR

Avoid that uncomfortable, greasy and foul-smelling in your cooking space with ELBA Cooker Hood. Your state-of-art kitchen deserves a high performance simple, subtle, stylish cooker hood that will absorb those lingering smells.

EXTRACTION RATES

This refers to the level at which cooker hoods clean cooking grease from the environment. We develop the most efficient cooker hoods to clean grease and fumes. And our ELBA Cooker Hoods can extract up to 1,400m³/hr of air flow.

SENSOR TOUCH PANEL

Elegant design with slide control and smart timer for sensor touch control with Thin-film-transistor Liquid-crystal (TFT LCD) Display.

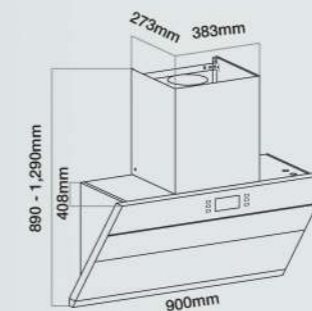
** Subject to model selected.*

ENERGY EFFICIENT LED LIGHT

The space-saving energy efficient light illuminates your cooking area and enhances the elegance of your kitchen decor.



TFT LCD Display



ELBA slanted type cooker hoods are side suction hoods combined with powerful function and elegant appearance. Polyline with 38 degrees angle design effectively increases the smoking area. Meanwhile, it also adjusts the smoking location closer to cooking area and creates a gold smoke.

BOOST FUNCTION

After the enhanced mode for 150 seconds, hood can automatically go back to the normal mode. This intelligence program makes one of the best performances to eliminate grease.

EXTRACTION RATES

The level at which the cooker hoods clean cooking grease from the environment. We develop the most efficiency cooker hoods to clean the grease and fumes. And our Cooker Hoods can extract the air up to 1,400m³/hr air flow.

DESIGNER HOOD

EH-H9329TFT(BK)



Recirculating System

- Suction Power: 1,400m³/hr
- 5-speed Sensor Touch Control Panel with TFT LCD Display
- Stainless Steel Grease Filters
- With Charcoal Filter
- With Elongated Oil Cup
- With Hydraulic Hinge Opening
- Premium Stainless Steel Chassis
- Automatic Timer Control
- Time Delay Function
- Fully Sealed Motor

Product Dimension (mm):

900 (W) x 890-1,290 (H) x 408 (D)



High Suction Power



Tempered Glass



LED Lamp x 2



Premium Stainless Steel Chassis



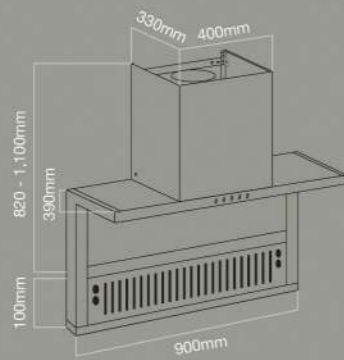
Time Delay



Charcoal Filter



Easy-to-Clean Oil Cup



PRIMO EH-K9337ST(BK) New

- Suction Power: 1,400m³/hr
- 3-speed Sensor Touch Control
- With Gesture Motion Sensor Technology
- With Updraft Extractor
- With Heat-cleaning Technology
- With Charcoal Filter
- With Elongated Oil Cup
- Premium Stainless Steel Chassis
- Automatic Timer Control
- Time Delay Function
- Fully Sealed Motor

Product Dimension (mm):
900 (W) x 820-1,100 (H) x 390 (D)



MOTORIZED UPDRAFT EXTRACTION

Be in awe of the odourless, non-smoky kitchen with Motorized Updraft Extraction. The moment your cooker hood is on, it will in turn lower down the bottom part by 10cm in order to shorten the distance between the hob & hood.

GESTURE MOTION SENSOR TECHNOLOGY

Get a taste of technologically-advanced, convenient kitchen appliances with ELBA Gesture Motion Sensor Technology. Without physically touching your control panel, you are able to turn on/off your cooker hood with a wave of your hand.

HEAT CLEANING TECHNOLOGY



HEAT CLEANING OPERATION

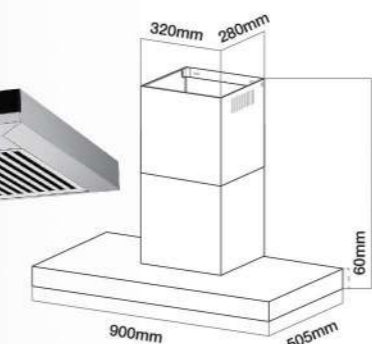
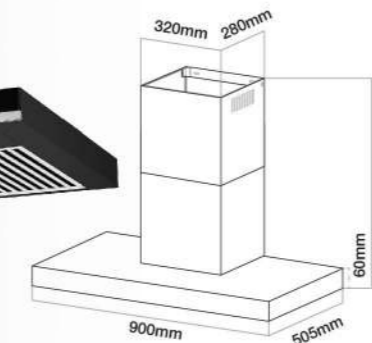
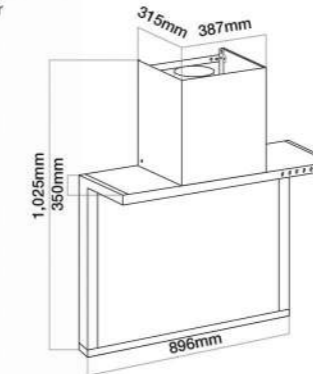
* Only applicable for PRIMO EH-K9337ST(BK), ELEGANTE EH-J9032ST(SS), ELEGANTE EH-J9031ST(SS) and INFINITO EH-J9034ST(SS).



HIGH TEMPERATURE REMOVE THE GREASE ON MOTOR FIN AND BACTERIA.



GREASE HAS BEEN REMOVE AND GO INTO OIL CUP.



PRIMO EH-G9325ST(BK)

- Suction Power: 1,400m³/hr
- 2-speed Sensor Touch Control with Boost Function
- Air Exchange System
- With Charcoal Filter
- With Elongated Oil Cup
- Automatic Timer Control
- Time Delay Function

Product Dimension (mm):
896 (W) x 1,025 (H) x 350 (D)



ELEGANTE EH-J9032ST(BK)

- Suction Power: 1,400m³/hr
- 4-speed Sensor Touch Control
- With Heat-cleaning Technology
- Washable 3-pcs Baffle Filter
- With Charcoal Filter
- With Oil Cup

Product Dimension (mm):
900 (W) x 548-1,000 (H) x 505 (D)



ELEGANTE EH-J9031ST(SS)

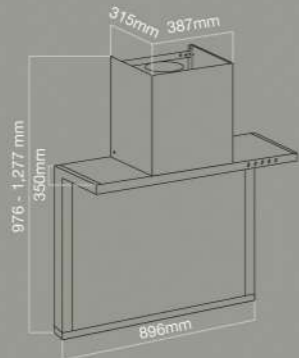
- Suction Power: 1,400m³/hr
- 4-speed Sensor Touch Control
- With Heat-cleaning Technology
- Washable 3-pcs Baffle Filter
- With Charcoal Filter
- With Oil Cup

Product Dimension (mm):
900 (W) x 548-1,000 (H) x 505 (D)



// COMMON POINTS

- Premium Stainless Steel Chassis
- Fully Sealed Motor



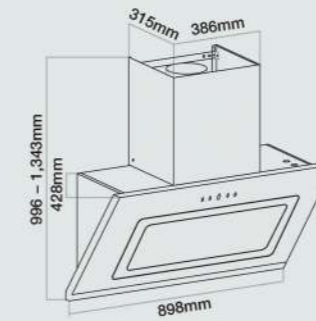
PRIMO EH-H9321ST (BK)



Recirculating System

- Suction Power: 1,400m³/hr
- 3-speed Sensor Touch Control
- With Charcoal Filter
- With Elongated Oil Cup
- Automatic Timer Control
- Time Delay Function

Product Dimension (mm):
896 (W) x 976-1,277 (H) x 350 (D)



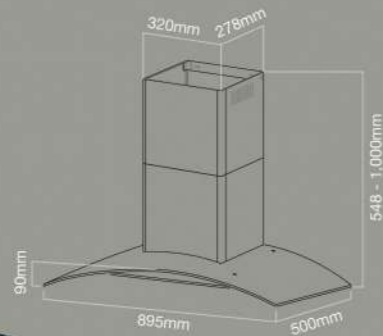
ETERNO EH-E9122ST (BK)



Recirculating System

- Suction Power: 1,400m³/hr
- 2-speed Sensor Touch Control
- With Charcoal Filter
- With Elongated Oil Cup

Product Dimension (mm):
898 (W) x 996-1,343 (H) x 428 (D)



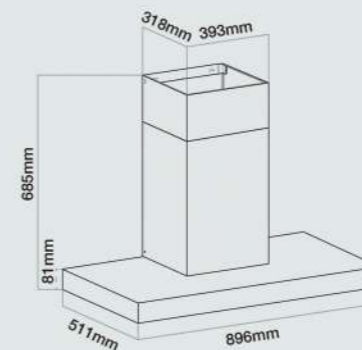
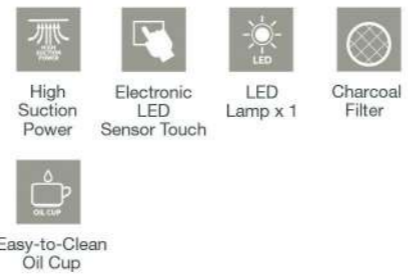
INFINITO EH-J9034ST (SS)



Recirculating System

- Suction Power: 1,400m³/hr
- 4-speed Sensor Touch Control
- With Heat-cleaning Technology
- Washable 3-pcs Baffle Filter
- With Charcoal Filter
- With Oil Cup

Product Dimension (mm):
895 (W) x 548-1,000 (H) x 500 (D)



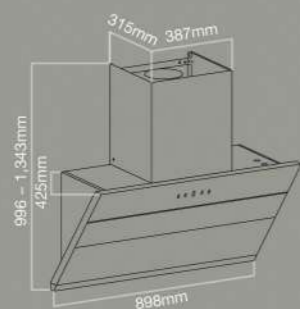
ELEGANTE EH-G9026ST (SS)



Recirculating System

- Suction Power: 1,400m³/hr
- 2-speed Sensor Touch Control
- With Charcoal Filter
- With Elongated Oil Cup

Product Dimension (mm):
896 (W) x 685 (H) x 511 (D)



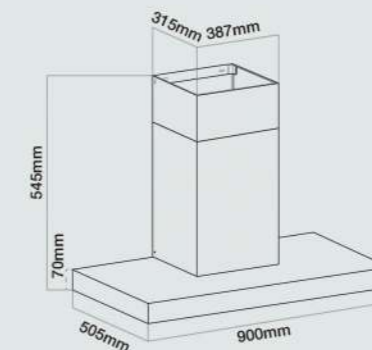
ETERNO EH-E9121ST (BK)



Recirculating System

- Suction Power: 1,400m³/hr
- With Hydraulic Hinge Opening
- 2-speed Sensor Touch Control
- With Charcoal Filter
- With Elongated Oil Cup
- Automatic Timer Control
- Time Delay Function

Product Dimension (mm):
898 (W) x 996-1,343 (H) x 425 (D)



ELEGANTE EH-H9027ST (SS)



Recirculating System

- Suction Power: 1,400m³/hr
- 2-speed Sensor Touch Control
- With Charcoal Filter
- With Oil Cup

Product Dimension (mm):
900 (W) x 545 (H) x 505 (D)



// COMMON POINTS

- Premium Stainless Steel Chassis
- Fully Sealed Motor

// COMMON POINTS

- LED Lamp: 2 x 2W
- Premium Stainless Steel Chassis
- Automatic Timer Control
- Time Delay Function

BUILT-IN HOB



SOPHISTICATED DESIGN, *Flexible* COOKING

Installation flexibility and freedom to choose your style of your choice, be it chic ceramic, modern domino, induction hob or gas cooktops, cooking up delicacies while you are at the comfort of your own house is attainable.

CERAMIC HOB

ELBA Ceramic Hobs combine sleek looks with advanced technology. Powerful, innovative and elegant ceramic hobs provide exceptional performance. With ELBA Ceramic Hobs, you will surely enjoy quick heat-up times and a smooth, perfectly flat, easy-to-clean surface.

GAS COOKTOPS

ELBA Gas Cooktops come with an exciting range of deep-well designs to match any kitchen style as well as a host of burner options to meet all cooking styles. From slow to extra fast cooking, ELBA Gas Cooktops are built to exceed your expectations!

INDUCTION HOB

Induction Hobs are the latest hob technology, which uses electromagnetism to heat your pans. With its quick and responsive heat control settings, ELBA Induction Hobs offer all the benefits of gas cooking plus the beauty of an elegant, easy-to-clean glass.



Flexi Slide

Slide your pan freely, to any position of your liking with the activation of Flexi Slide function. The auto sensing feature will recognize how large your cookware is and the selected zone will be automatically activated for convenience.

Combi Mode

The convenience of separating your cooking zones made possible with Combi Mode. Adjust the cooking zone according to your needs and liking. Activate the selected zone to cook and manage two dishes at the same time or choose to only cook one dish.

Power Bridge

Whip up your favourite dishes with the integrated Power Bridge function. The connection between two separate cooking zones can be done to form one large cooking zone. The perfectly even heat distribution on the entire base of the pan makes it great for grilling and cooking fish with a bigger pan.

BUILT-IN FLEXI INDUCTION COOKER

SCHOTT
CERAN®



EIC-K7094FZ(BK) **New** Flexi Slide

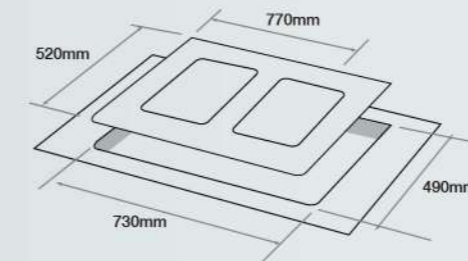
- 4 Cooking Zones:
 - Four Zones with 220mm x 200mm Dimension (2,100W)
 - Flexi Slide Zone with 400mm x 200mm Dimension (3,600W)
- 9-power Level Control
- Schott Ceran Glass
- Flexi Slide Function
- Front Control with Sliding Touch
- With Booster Function
- Automatic Safety Switch Off after 120 Minutes
- 1 - 99 Minutes Cooking Timer
- Safety Child Lock
- Residual Heat Indicator
- Overheating Protector

Product Dimension (mm):

770 (W) x 520 (D)

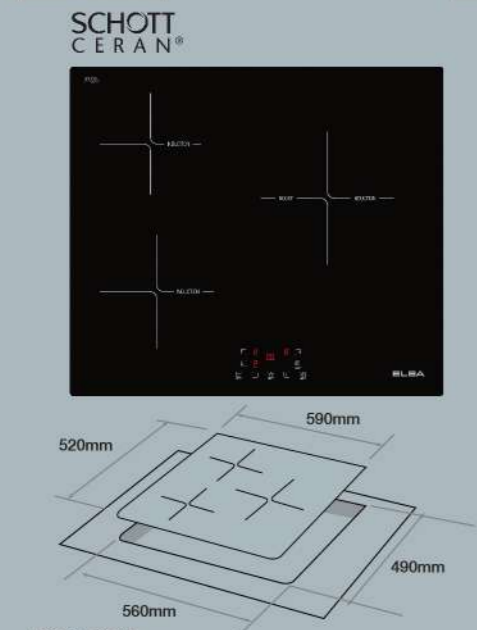
Built-in Dimension (mm):

730 (W) x 490 (D)



BUILT-IN INDUCTION COOKER

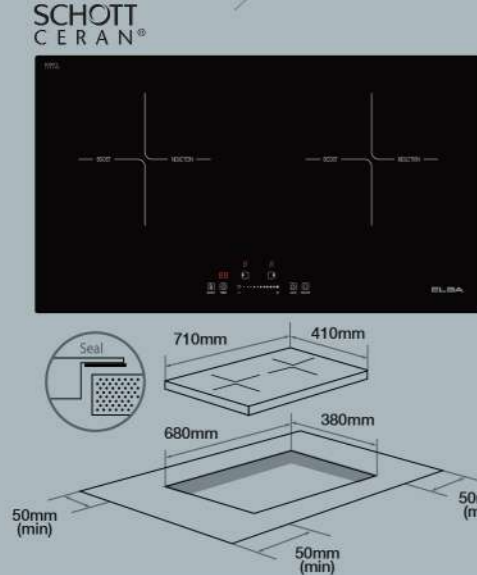
Make cooking cool again with this easy to clean and time-saving ELBA Built-in Induction Hob. Easy to operate and equipped with a child-safe lock, you can definitely enjoy the enjoyment of preparing a warm meal for your loved ones.



EIC-K6083ST(BK) **New**

- Three Cooking Zones
- Power Output: 2,200W + 1,800W + 1,400W
- 9-power Level Control
- Schott Ceran Glass
- Front Control with Sensor Touch
- With Booster Function
- Automatic Safety Switch Off after 120 Minutes

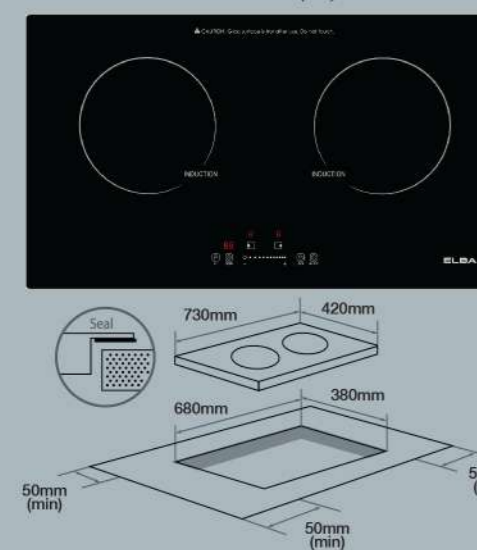
Product Dimension (mm):
590 (W) x 520 (D)
Built-in Dimension (mm):
560 (W) x 490 (D)



EIC-K7082ST(BK) **New**

- Dual Cooking Zones
- Power Output: 2,100W + 2,100W
- 9-power Level Control
- Schott Ceran Glass
- Front Control with LED Sliding Touch
- With Booster Function
- Automatic Safety Switch Off after 120 Minutes

Product Dimension (mm):
710 (W) x 410 (D)
Built-in Dimension (mm):
680 (W) x 380 (D)



EIC-G3602ST(BK)

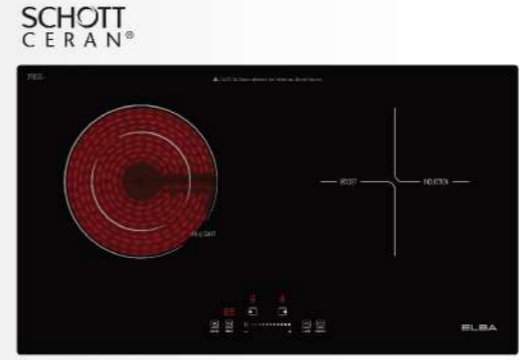
- Dual Cooking Zones
- Power Output: 2,100W + 2,100W
- 9-power Level Control
- High Quality Black Crystal Glass
- Front Control with LED Sliding Touch
- With Booster Function
- Automatic Safety Switch Off after 120 Minutes

Product Dimension (mm):
730 (W) x 420 (D)
Built-in Dimension (mm):
680 (W) x 380 (D)

// COMMON POINTS

- 1 - 99 Minutes Cooking Timer
- Safety Child Lock
- Residual Heat Indicator
- Overheating Protector

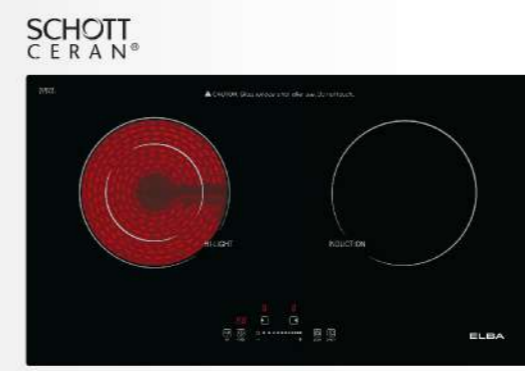
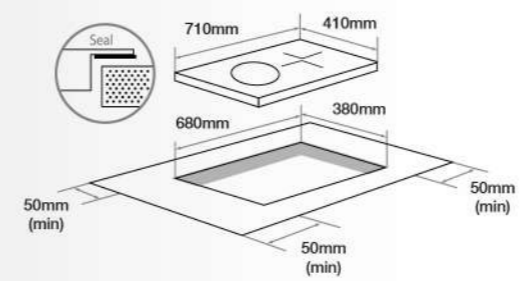
BUILT-IN COMBI INDUCTION CERAMIC COOKER



EICH-K7072ST(BK) **New**

- Dual Cooking Zones
- Power Output: 2,200W (Ceramic) + 2,100W (Induction)
- 9-power Level Control
- Schott Ceran Glass
- Front Control with Sliding Touch
- With Booster Function
- Automatic Safety Switch Off after 120 Minutes

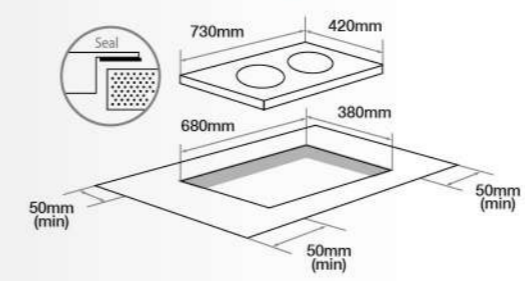
Product Dimension (mm):
710 (W) x 410 (D)
Built-in Dimension (mm):
680 (W) x 380 (D)



EICH-G3622ST(BK)

- Dual Cooking Zones
- Power Output: 2,200W (Ceramic) + 2,100W (Induction)
- 9-power Level Control
- High Durability EGO Heating Plate (German)
- Schott Ceran Glass
- Front Control with LED Sliding Touch
- With Booster Function
- Automatic Safety Switch Off after 120 Minutes

Product Dimension (mm):
730 (W) x 420 (D)
Built-in Dimension (mm):
680 (W) x 380 (D)



// COMMON POINTS

- 1 - 99 Minutes Cooking Timer
- Safety Child Lock
- Residual Heat Indicator
- Overheating Protector

BUILT-IN CERAMIC HOB

Easy to work with while having quick heat up time, ELBA Built-in Ceramic Hob is perfect for foods that needed to be warm quickly within a short period of time. With the addition of this smooth and sleek piece into your kitchen, you are definitely in the run for the best kitchen award!



EGO HEATING PLATE
(GERMAN)

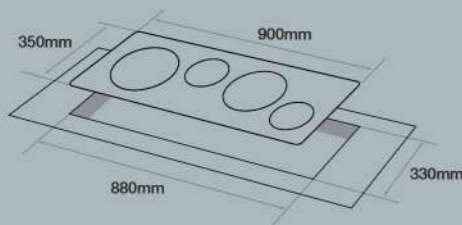
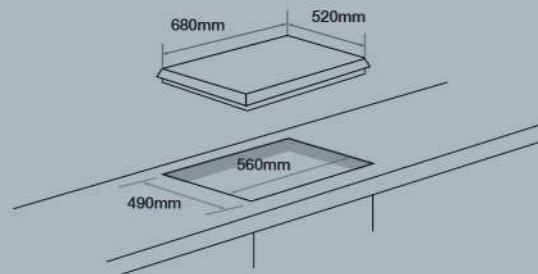
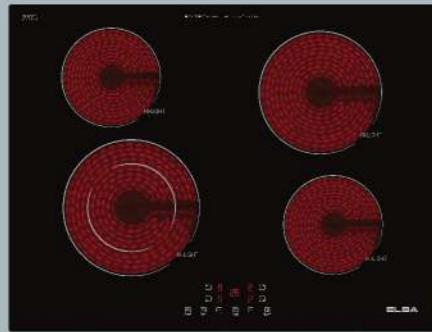


SCHOTT CERAN®
GLASS



EXTENSION ZONE / BOOSTER

SCHOTT CERAN®



ECH-K6014ST(BK) **New**

- 4 Cooking Zones:
 - Two Zones with 165mm Diameter (1,200W)
 - One Dual Zone with 140mm Diameter (1,000W) to 230mm Diameter (2,200W)
 - One Zone with 200mm Diameter (1,800W)
- 9-power Level Control
- High Durability EGO Heating Plate (German)
- Schott Ceran Glass
- Front Control with Sensor Touch
- With Booster Function
- Automatic Safety Switch Off after 120 Minutes

Product Dimension (mm):

680 (W) x 520 (D)

Built-in Dimension (mm):

560 (W) x 490 (D)

ECH-A9004ST

- 4 Cooking Zones:
 - Two Zones of 140mm Diameter (1,200W)
 - One Dual Zone with 120mm Diameter (700W) to 180mm Diameter (1,700W)
 - One Dual Zone with 140mm Diameter (1,000W) to 210mm Diameter (2,200W)
- 9-power Level Control
- EuroKera Glass
- Front Control with Sensor Touch

Product Dimension (mm):

900 (W) x 350 (D)

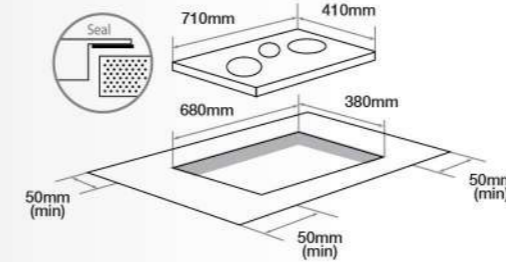
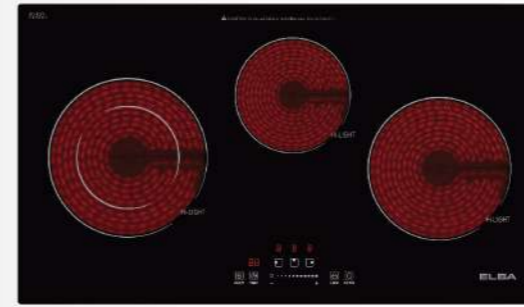
Built-in Dimension (mm):

880 (W) x 330 (D)

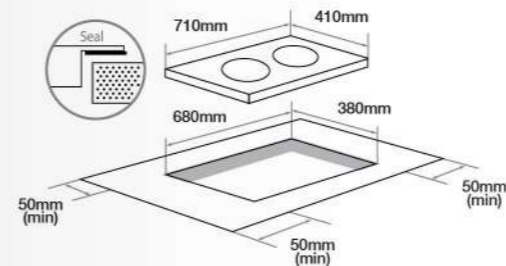
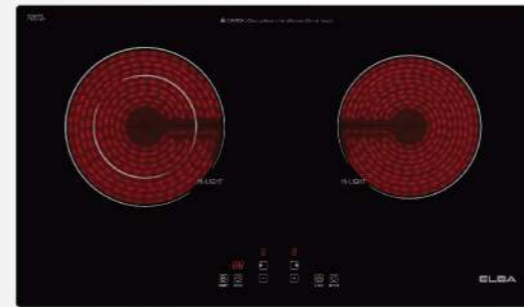
// COMMON POINTS

- 1 - 99 Minutes Cooking Timer
- Safety Child Lock
- Residual Heat Indicator
- Overheating Protector

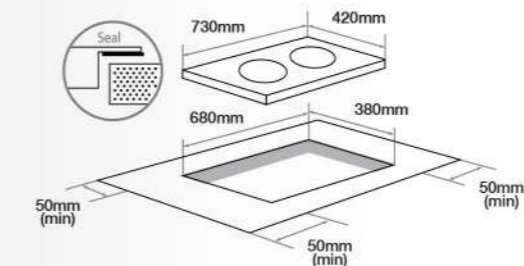
SCHOTT CERAN®



SCHOTT CERAN®



SCHOTT CERAN®



ECH-K7013ST(BK) **New**

- Three Cooking Zones
- Power Output: 2,200W + 1,800W + 1,200W
- 9-power Level Control
- Schott Ceran Glass
- Front Control with Sliding Touch
- With Booster Function
- Automatic Safety Switch Off after 120 Minutes

Product Dimension (mm):

710 (W) x 410 (D)

Built-in Dimension (mm):

680 (W) x 380 (D)

ECH-K7012ST(BK) **New**



13 Amp Plug

- Dual Cooking Zones
- Power Output: 2,200W + 1,800W
- 9-power Level Control
- High Durability EGO Heating Plate (German)
- Schott Ceran Glass
- Front Control with Sensor Touch
- With Booster Function
- Automatic Safety Switch Off after 120 Minutes

Product Dimension (mm):

710 (W) x 410 (D)

Built-in Dimension (mm):

680 (W) x 380 (D)

ECH-G3322ST(BK)

- Dual Cooking Zones
- Power Output: 2,200W + 2,200W
- 9-power Level Control
- High Durability EGO Heating Plate (German)
- Schott Ceran Glass
- Front Control with LED Sliding Touch
- Automatic Safety Switch Off after 120 Minutes

Product Dimension (mm):

730 (W) x 420 (D)

Built-in Dimension (mm):

680 (W) x 380 (D)

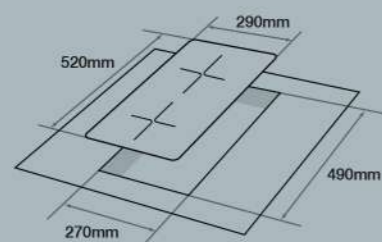
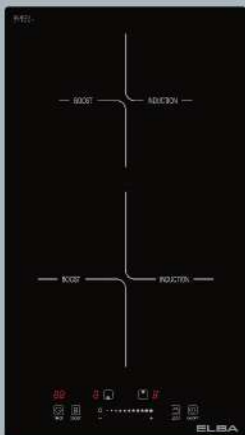
// COMMON POINTS

- 1 - 99 Minutes Cooking Timer
- Safety Child Lock
- Residual Heat Indicator
- Overheating Protector

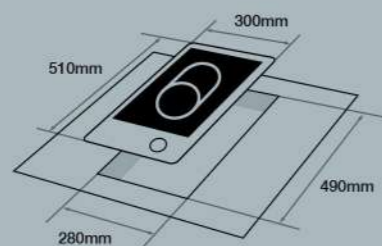
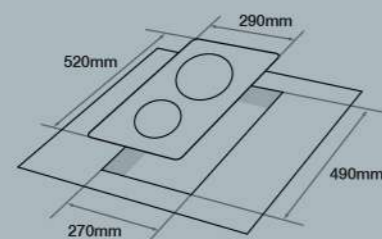
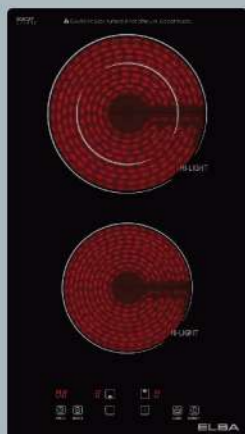
BUILT-IN DOMINO HOB

Flexibility gives you the freedom and space to cook at your own pace. If that's the case, ELBA Built-in Domino Hob allows you to enjoy cooking in an ample space that is favourable for you to create your mouth-watering masterpiece.

SCHOTT
CERAN®



SCHOTT
CERAN®



EDIC-K3082ST(BK) New

- 290mm Built-in Induction Hob
- Dual Cooking Zones
- Power Output: 2,100W + 1,500W
- Schott Ceran Glass
- 9-power Level Control
- Front Control with Sliding Touch
- With Boost Function
- Automatic Safety Switch Off after 120 Minutes

Product Dimension (mm):

290 (W) x 520 (D)

Built-in Dimension (mm):

270 (W) x 490 (D)

EDCH-K3012ST(BK) New

- 290mm Built-in Ceramic Hob
- Dual Cooking Zones
- Power Output: 2,200W + 1,800W
- Schott Ceran Glass
- 9-power Level Control
- Front Control with Sensor Touch
- With Boost Function
- Automatic Safety Switch Off after 120 Minutes

Product Dimension (mm):

290 (W) x 520 (D)

Built-in Dimension (mm):

270 (W) x 490 (D)

EDH-3111C

- 300mm Built-in Ceramic Hob
- One Dual Zone with 140mm Diameter (1,100W) to 250mm Diameter (2,000W) Oval Extension Zone
- Front Control with Dial System
- High Heat Resistant Glass
- Overheating Protector

Product Dimension (mm):

300 (W) x 510 (D)

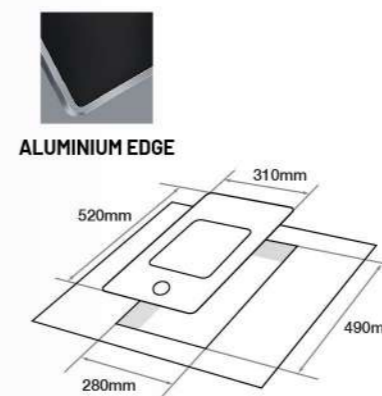
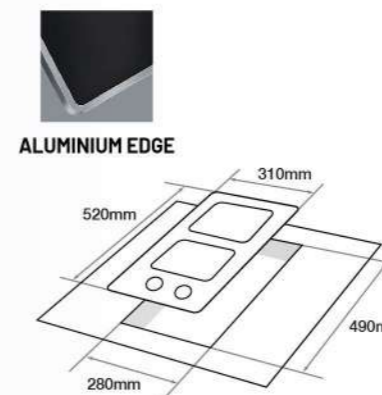
Built-in Dimension (mm):

280 (W) x 490 (D)

// COMMON POINTS

- 1 - 99 Minutes Cooking Timer
- Residual Heat Indicator
- Safety Child Lock
- Overheating Protector

* Except EDH-3111C



EDH-F3302G(BK)

- 300mm Built-in Hob
- Original Italian SABAF Burners including:
 - 1 Rapid Burner (3.0kW)
 - 1 Auxiliary Burner (1.0kW)

Product Dimension (mm):

310 (W) x 520 (D)

Built-in Dimension (mm):

280 (W) x 490 (D)

EDH-F3401G(BK)

- 300mm Built-in Hob
- 1 Triple Ring Original Italian SABAF Burner (3.8kW)

Product Dimension (mm):

310 (W) x 520 (D)

Built-in Dimension (mm):

280 (W) x 490 (D)

// COMMON POINTS

- Safety Valve (Flame Failure Device)
- Battery Auto Ignition System
- Cast Iron Pan Support
- High Quality Tempered Glass
- Embraced Aluminium Frame



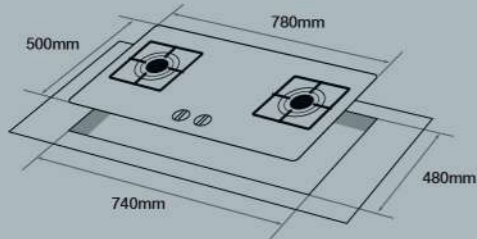
BUILT-IN GLASS HOB

M-BURNERS

ELBA's latest generation of high-efficiency burners with breakthrough design in triple-ring and rotated flames, ensure different cooking habits as a result of its excellent performance.

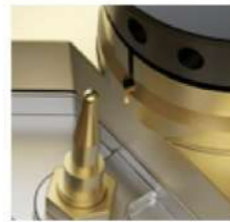


>60% GAS EFFICIENCY PERFORMANCE



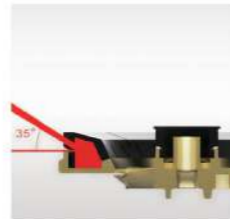
RAPID HEAT

ELBA burners on gas hobs have a very high output to cook fast and economically, so even a litre of water can boil approximately two minutes faster than on other burners. ELBA burners also feature a perfectly controllable pure flame with a wide control range.



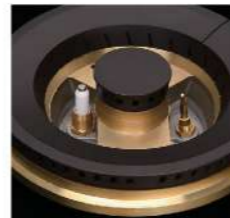
FLAME CONTROL

The flame failure safety device shuts down the supply of gas to the hob if the flame goes out for any reason, making sure there is no flame, no gas.



FLAME FEATURES

A triple ring flame. Flame type: direct fire + swing fire. Outer ring fire angle: 35 degrees with the horizontal partition.



SIMPLE IGNITION

Integrated into the knobs, electronic ignition provides easy and simple ignition for gas burners.

EGH-H9592G(BK)

- 2 Triple Ring M-Burners (4.0kW)
- High Quality Tempered Glass
- Safety Valve (Flame Failure Device)
- Cast Iron Pan Support
- Battery Auto Ignition System

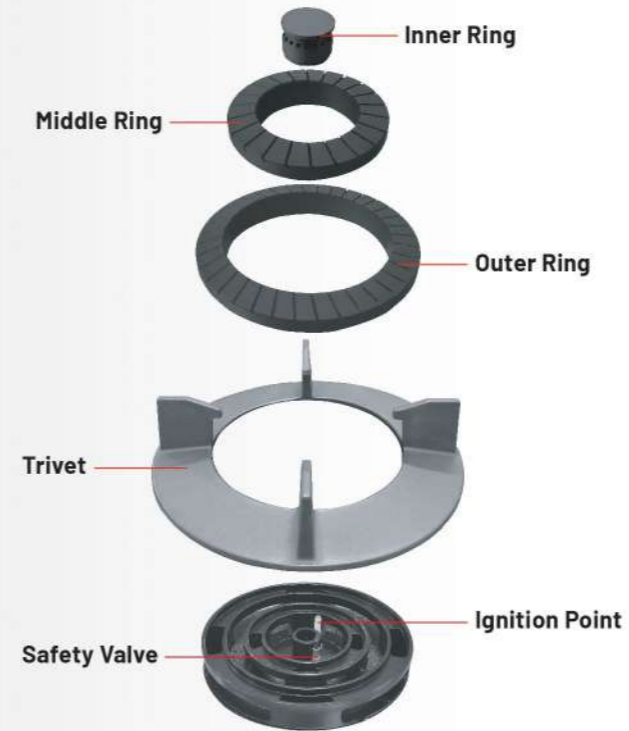
Product Dimension (mm):
780 (W) x 500 (D)
Built-in Dimension (mm):
740 (W) x 480 (D)

Burner Rating 6.4kW

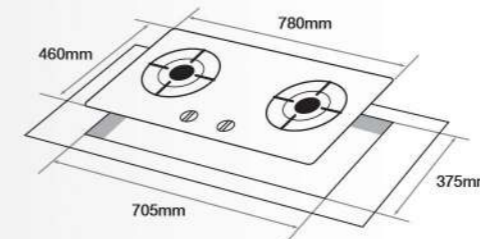
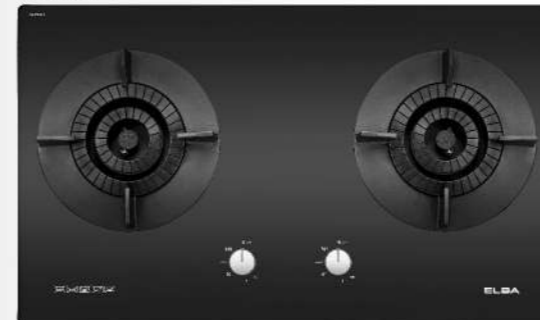


QUATTRO BURNERS

Heat efficiency is the utmost priority when it comes to whipping up swoon-worthy cuisine that will keep your family and friends coming back for more. With different flames available for you to choose from, you can steam, fry, stew and many more while you preserve the needed heat to keep it warm and tasty!



SCHOTT



EGH-J8662G(BK) **New**



6.4kW

- 2 Quattro Burners (6.4kW)
- 8-power Level Control
- Schott Glass
- Safety Valve (Flame Failure Device)
- Cast Iron Pan Support
- Battery Auto Ignition System

Product Dimension (mm):
780 (W) x 460 (D)
Built-in Dimension (mm):
705 (W) x 375 (D)

Made with the finest, high quality and original Italian SABAF Burners combined with tempered glass, this ELBA Built-in Glass Hob, this durable hob is easy to clean with precise heat control that makes it a clear winner in any modern kitchen.



ITALIAN SABAF BURNERS
Powerful flame for fast cooking and efficient gas consumption.



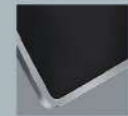
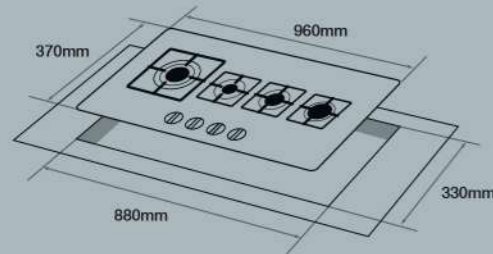
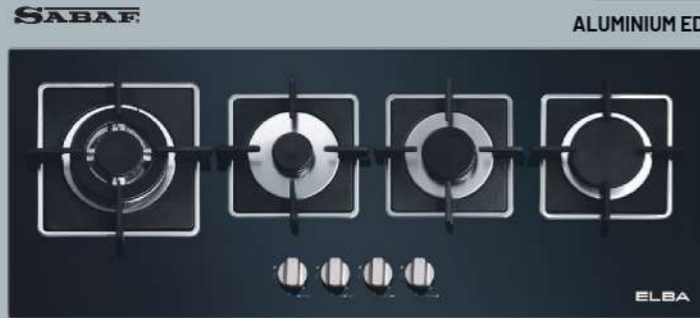
FLAME FAILURE DEVICE
Thermostat reacts to cut off gas supply when flame is accidentally extinguished.



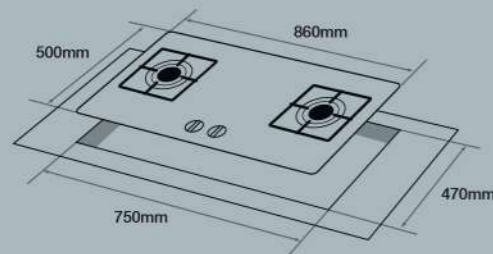
CAST IRON PAN SUPPORT
High durability and long-lasting.



ALUMINIUM EDGE



ALUMINIUM EDGE



EGH-C9432G(BK)

- Original Italian SABAF Burners including:
 - 1 Triple Ring Burner (3.8kW)
 - 1 Rapid Burner (3.0kW)
 - 1 Semi-rapid Burner (1.75kW)
 - 1 Auxiliary Burner (1.0kW)
- Full Black Tempered Glass

Product Dimension (mm):
960 (W) x 370 (D)
Built-in Dimension (mm):
880 (W) x 330 (D)

EGH-F9542G(GR)

- Original Italian SABAF Burners including:
 - 2 Triple Ring Burners (5.0kW)
- Grey Tempered Glass

Product Dimension (mm):
860 (W) x 500 (D)
Built-in Dimension (mm):
750 (W) x 470 (D)



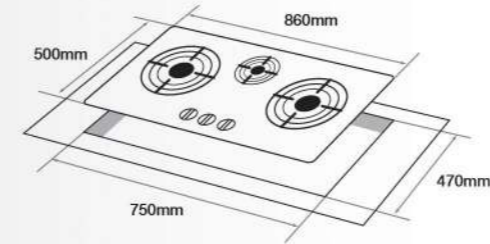
5.0kW

// COMMON POINTS

- Safety Valve (Flame Failure Device)
- Battery Auto Ignition System
- Cast Iron Pan Support
- Cast Iron Wok Stand
- Embraced Aluminium Frame

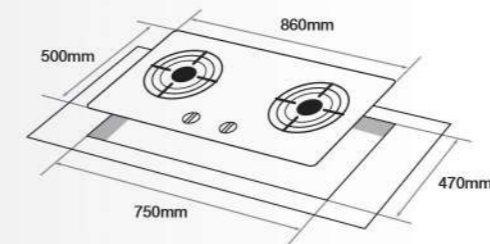
SABAF

ALUMINIUM EDGE



ALUMINIUM EDGE

SABAF



EGH-E9523G(GR)

- Original Italian SABAF Burners including:
 - 2 Triple Ring Burners (5.0kW)
 - 1 Semi-rapid Burner (1.75kW)
- Grey Tempered Glass
- Aesthetic Round Knob

Product Dimension (mm):
860 (W) x 500 (D)
Built-in Dimension (mm):
750 (W) x 470 (D)



5.0kW

EGH-E9522G(GR)

- Original Italian SABAF Burners including:
 - 2 Triple Ring Burners (5.0kW)
- Grey Tempered Glass
- Aesthetic Round Knob

Product Dimension (mm):
860 (W) x 500 (D)
Built-in Dimension (mm):
750 (W) x 470 (D)



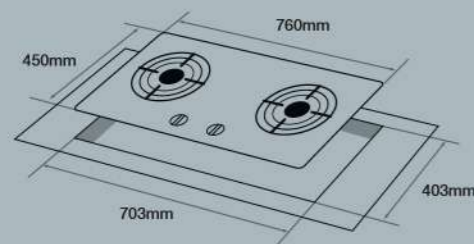
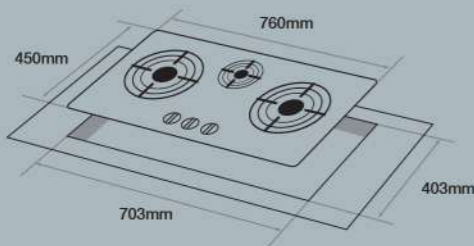
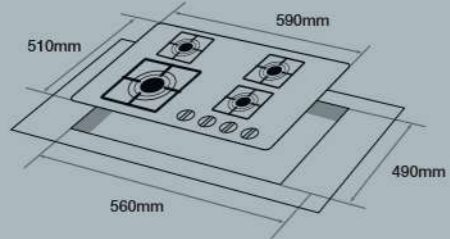
5.0kW

// COMMON POINTS

- Safety Valve (Flame Failure Device)
- Battery Auto Ignition System
- Cast Iron Pan Support
- Cast Iron Wok Stand
- Embraced Aluminium Frame



ALUMINIUM EDGE



EGH-G6404G(BK)

- 4 Original Italian SABAF Burners including:
 - 1 Triple Ring Burner (4.2kW)
 - 2 Semi-rapid Burners (1.75kW)
 - 1 Auxiliary Burner (1.0kW)
- Full Black Tempered Glass
- Embraced Aluminium Frame

Product Dimension (mm):
590 (W) x 510 (D)
Built-in Dimension (mm):
560 (W) x 490 (D)

EGH-G8593G(BK)

- 2 Triple Ring Burners (5.0kW)
- 1 Semi-rapid Ring Burner (1.75kW)
- High Quality Tempered Glass with Mirror Edges



Product Dimension (mm):
760 (W) x 450 (D)
Built-in Dimension (mm):
703 (W) x 403 (D)

EGH-G8592G(BK)

- 2 Triple Ring Burners (5.0kW)
- High Quality Tempered Glass with Mirror Edges



Product Dimension (mm):
760 (W) x 450 (D)
Built-in Dimension (mm):
703 (W) x 403 (D)

// COMMON POINTS

- Safety Valve (Flame Failure Device)
- Battery Auto Ignition System
- Cast Iron Pan Support
- Cast Iron Wok Stand

BUILT-IN STAINLESS STEEL HOB



ITALIAN SABAF BURNERS

Powerful flame for fast cooking and efficient gas consumption.



STAINLESS STEEL PANEL



FLAME FAILURE DEVICE

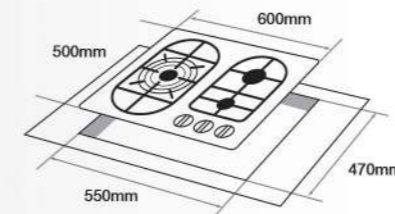
Thermostat reacts to cut off gas supply when flame is accidentally extinguished.



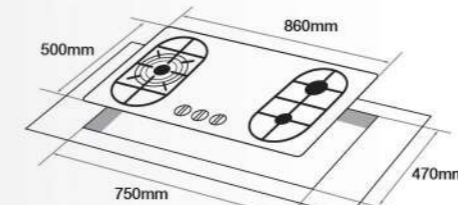
CAST IRON PAN SUPPORT

High durability and long-lasting.

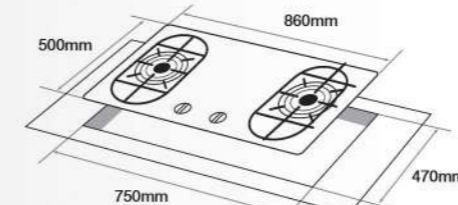
SABAF



SABAF



SABAF



No matter what kind of cooking you are taking up for your loved ones, this rust-free ELBA Built-in Stainless Steel Hob will ensure your cooking experience stays pleasant and hassle-free throughout the years.

EBH-6630

- Original Italian SABAF Burners including:
 - 1 Triple Ring Burner (3.5kW)
 - 1 Semi-rapid Burner (1.75kW)
 - 1 Auxiliary Burner (1.0kW)

Product Dimension (mm):
600 (W) x 500 (D)
Built-in Dimension (mm):
550 (W) x 470 (D)

EBH-9930

- Original Italian SABAF Burners including:
 - 1 Triple Ring Burner (3.5kW)
 - 1 Semi-rapid Burner (1.75kW)
 - 1 Auxiliary Burner (1.0kW)

Product Dimension (mm):
860 (W) x 500 (D)
Built-in Dimension (mm):
750 (W) x 470 (D)

EBH-9920

- Original Italian SABAF Burners including:
 - 2 Triple Ring Burners (3.5kW)

Product Dimension (mm):
860 (W) x 500 (D)
Built-in Dimension (mm):
750 (W) x 470 (D)

// COMMON POINTS

- Safety Valve (Flame Failure Device)
- Battery Auto Ignition System
- Cast Iron Pan Support
- Cast Iron Wok Stand

DISHWASHER



YOUR *Reliable* KITCHEN PARTNER

You are free to cook up a feast for your loved ones and never have to trouble yourself with the piles of dirty dishes there for you at the end of the day! ELBA Dishwasher is an energy-saving and time-saving innovation designed to clean, dry and de-clutter the kitchen mess anytime that you want with just a few buttons!



DID YOU KNOW? BENEFITS OF DISHWASHER

ELBA Dishwasher ensures your dishes are cleaner and safer than conventional hand washing with sponge where harmful germs tend to breed.

DISHWASHER

EDW-B1462D(SS)

- Capacity: 14 Place Settings
- 6 Washing Programs
- Internal LED Illumination
- Electronic Control with LED Display
- Delay Start: Up to 24 Hours



A+++ Energy Efficiency

Product Dimension (mm):
600mm(W) x 845mm(H) x 598mm(D)



- 14 Place Settings
- Electronic Control
- 6 Washing Programs
- Delay Start
- Third Layer Cutlery Basket
- Half Load Setting
- Premium Stainless Steel Interior
- Upper, Lower & Top Spray Arms
- Internal LED Illumination

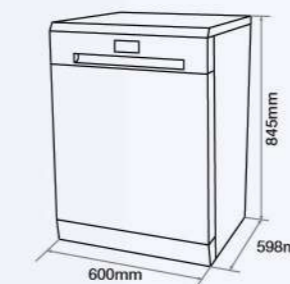
EDW-B1461(WH)

- Capacity: 14 Place Settings
- 6 Washing Programs
- Electronic Control with Light Indicator



A+++ Energy Efficiency

Product Dimension (mm):
600mm(W) x 845mm(H) x 598mm(D)



- 14 Place Settings
- Electronic Control
- 6 Washing Programs
- Third Layer Cutlery Basket
- Half Load Setting
- Premium Stainless Steel Interior
- Upper, Lower & Top Spray Arms

// COMMON POINTS

- Upper, Lower and Top Spray Arms
- Third Layer Cutlery Basket
- 3-layer Waste Filter
- With Rinse Aid Indicator
- Half Load Setting
- Easy Lift-up Upper Basket
- Prewash Function, Express and ECO
- Premium Quality 304SS Stainless Steel Interior
- Hidden Type Heating Element