



ELBA

JUG KETTLE

MODEL: EJK-G1262(SS)

Owner's Manual

Please read this manual carefully before operating your set.

Retain it for future reference.

Record model number and serial number of the set.

See the label attached on the set and quote this information to your dealer when you require service.

For The Warranty Terms & Conditions, Please Refer To Warranty Certificate.

IMPORTANT SAFEGUARDS

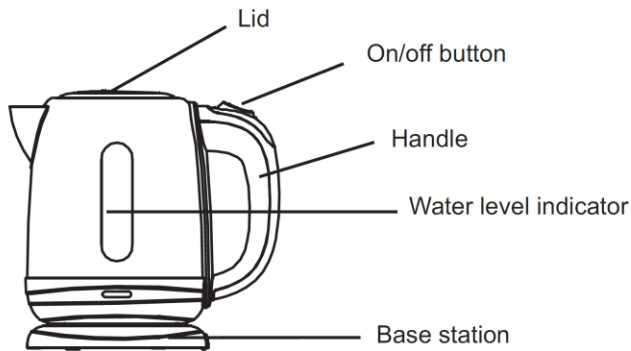
When using this appliance, basic precautions should always be followed, including the following:

1. Read all instructions before using.
2. Do not operate the appliance with damaged power cord or plug, after the appliance malfunction, or if it is dropped or damaged in any manner. Return the appliance to the nearest authorized dealer or after-sales service center for examination, repair, electrical or mechanical adjustment.
3. Do not use the appliance if the plug, the mains cord or other parts are damaged.
4. Do not let the power cord hang over edge of table or counter or hot surface.
5. Do not place the appliance on or near gas stove or electric burner, or in a heated oven.
6. When removing the plug from wall outlet, grasp the plug to pull and not the cable.
7. Never use any accessories or parts from other manufacturers or that ELBA does not specifically recommend.
8. Should the base station become moist or wet, remove the plug from the wall outlet immediately.
9. **Never immerse the jug kettle and base station in water or any other liquids nor rinse it under the tap. Use only a moist cloth to clean the exterior jug kettle and dry cloth to wipe the base station.**
10. This appliance is only be used with the base station provided.
11. Warning: If the jug kettle is overfilled, boiling water may be ejected.
12. Children should be supervised to ensure that they do not play with the appliance.
13. Close supervision is necessary when your appliance is being used near children or infirm persons.
14. Do not operate the appliance for other than its intended use.
15. Do not use this jug kettle outdoors.
16. This appliance is for domestic use only.
17. This appliance is not intended for used by persons (including children) with reduced physical, sensory or mental capabilities, or lack of experience and knowledge, unless they have been given supervision or instruction concerning use of the appliances by a person responsible for their safety.
18. Save these instructions for future reference.

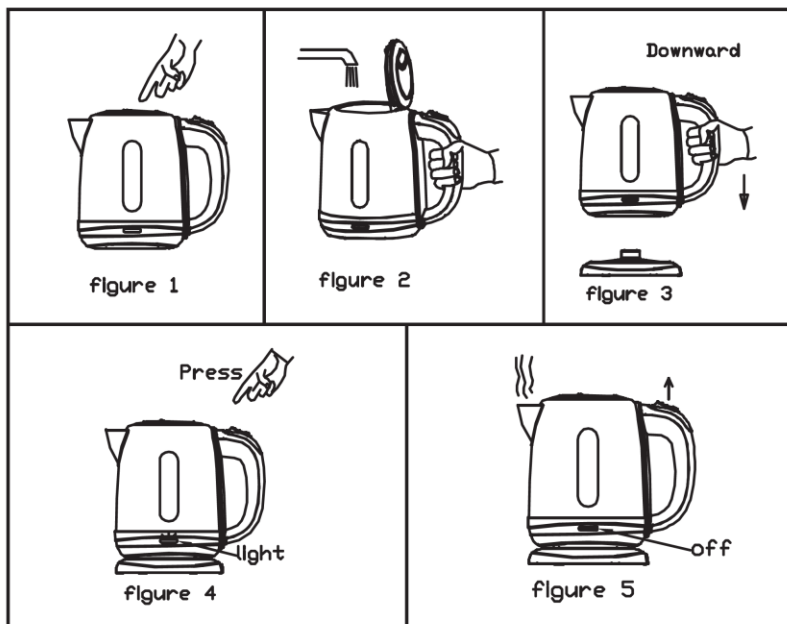
SPECIAL SAFETY INSTRUCTIONS FOR USING THIS JUG KETTLE

1. Use only cold water to boil water.
2. Water level must be filled above the MIN line and below the MAX line.
3. Always power off the jug kettle before removing from the base station.
4. Always ensure that the lid is tightly closed.
5. Never immerse the base station in water or any other liquids.
6. The base station must not become wet.
7. The jug kettle body used must be match with the jug kettle base station.

PRODUCT DESCRIPTION



OPERATING THE APPLIANCE



Before using the appliance for the first time, water should be boiled in 2 times without any additives.

1. Figure 1: Press the lid to open.
2. Figure 2: Fill water into the jug kettle and close the lid.
Warning: Do not overfill water into the jug kettle. Refer to the water level indicator for MAX and MIN water level indication.
3. Figure 3: Place the jug kettle on the base station. Connect the plug to wall outlet and power on the jug kettle.
4. Figure 4: Press the on/off button- "I" at the handle. The control lamp on the water level indicator shows that the water is beginning to boil. After water boils, the on/off button will automatically switch to "O". Power off the appliance and disconnect the plug from wall outlet.

CLEANING AND MAINTENANCE

1. Always remove the plug from wall outlet when not in used.

Note: Do not rinse the jug kettle and base station under the tap water or any other liquids. Do not use abrasive cleaning agents, sources, etc. to clean the jug kettle.

ENVIRONMENT-FRIENDLY DISPOSAL



You can help to protect the environment!

Please remember to respect the local regulations: hand in the non-working electrical equipments to an appropriate waste disposal centre.

ELBA