



# ELBA

## **INDUSTRIAL WALL FAN**

**MODEL: EIWF-G2631(BK)**

### **Owner's Manual**

Please read this manual carefully before operating your set.

Retain it for future reference.

Record model number and serial number of the set.

See the label attached on the set and quote this information to your dealer when you require service.

**For The Warranty Terms & Conditions, Please Refer To Warranty Certificate.**

## IMPORTANT SAFEGUARDS

*REMOVE ALL PACKING MATERIALS FROM THIS PRODUCT BEFORE USING IT. THIS APPLIANCE MUST BE INSTALLED ON A FLAT SURFACE. PLEASE ENSURE THE ELECTRICITY SUPPLY TO THE APPLIANCE IS DISCONNECTED BEFORE INSTALLING.*

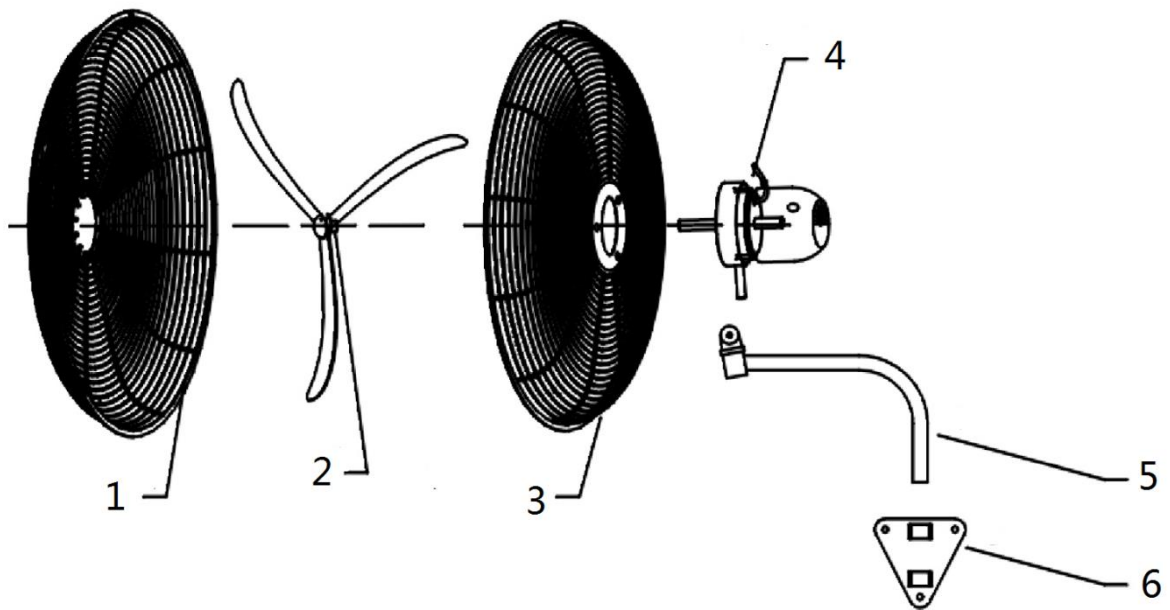
Please read this instruction carefully. It is advisable to keep this instruction manual in a safe place for future reference.

1. Keep this appliance out of reach of children. Close supervision is necessary when the appliance is operating near children or infirm persons.
2. This appliance is not intended for use by persons (including children) with reduced physical, sensory or mental capabilities, or lack of experience and knowledge, unless they have been given supervision or instruction concerning the usage of this appliance by a person responsible for their safety.
3. Do not operate the appliance with damaged power cord or plug, after the appliance malfunctions, or if it was dropped or damaged in any manner. Kindly return the appliance to the nearest authorized dealer or after-sales service center for examinations, repairs, electrical or mechanical adjustments.

**WARNING – to reduce the risk of fire, electrical shock or injury to persons or property, please read and follow below instructions carefully.**

- Always operate the product from a power source of the same voltage, frequency and rating as indicated on the product identification marking.
- Always switch off and unplug the plug from outlet when not in use, before assembling or disassembling parts and before cleaning. Assemble the product completely before operating.
- To protect against the risk of electrical shock, do not immerse the product, cord or plug into water or any other liquid.
- This product should not be used in the immediate vicinity of water, such as bathtub, washbowls, swimming pool etc, where the likelihood of immersion or splashing could occur.
- This product should not be used in the immediate vicinity of open flame or other heating appliances where the likelihood of burning or high heat could occur.
- Avoid contact with moving parts. Do not insert any object through the guard when the product is operating.
- Do not cover the guard or operate in close proximity to curtains.
- Do not operate it for purposes other than its intended use.
- Always disconnect the product when relocating it.

## PRODUCT DESCRIPTION



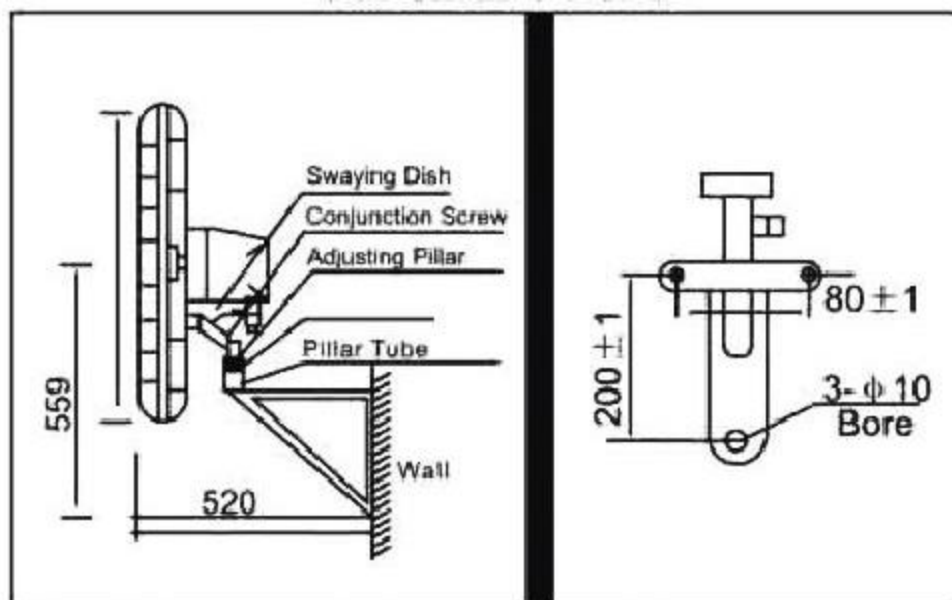
1. Front Fan Grill	4. Fan Motor
2. Fan Blade	5. Supporting Pole
3. Rear Fan Grill	6. Wall Bracket

## INSTALLATION GUIDE

1. Open the packaging and remove the packaging material.
2. Fix the wall bracket onto the desired location firmly.
3. Ensure that the wall or pillar is firm and dependable before installation.
4. The motor and connector have already been assembled, place the connector onto the column holder of the wall fan pole, then tighten the bolts and nut with a wrench.
5. Loosen the bolts in front of the frame and insert the assembled wall fan pole with fan motor through. Tighten the bolts and ensure it is firmly attached.

## FAN BLADE AND GUARDS ASSEMBLY

1. Loosen the 4 screws on the face of the motor. Place the fan rear fan grill on to the motor and fasten the screws with a cross screw driver.
2. Loosen the bolt on the fan blade and slide the fan blade on the motor shaft until firm.
3. Tighten the bolt on the fan blade and ensure the bolt sits onto the flat side of the motor shaft directly when tightened.
4. Snap the front fan grill with the rear fan grill by connecting the guard clips firmly.



# OPERATING INSTRUCTIONS

## ***To Adjust Speed***

Turn the speed knob for speed control:

“0” for OFF; “1” for Low Speed; “2” for Medium Speed; “3” for High Speed.

## ***To Adjust Tilting Angle***

Tilt can be adjusted by loosening the screw on the column holder and tilt to desired angle.

Once completed, re-fasten the screw firmly.

## ***To Adjust Oscillation***

- Beneath the motor are two screw holes for the nut on the rod bar to go into. Set the nut and rod bar to the outer screw hole to allow for oscillation.
- To stop the oscillation, set the rod bar and nut to the inner screw hole.

**Note: Always ensure the unit is turned off entirely before changing the oscillation function.**

## **CLEANING AND MAINTENANCE**

1. Ensure the fan is turned off completely and unplugged from outlet before cleaning.
2. Use only a soft and damp cloth to clean the fan.
3. To clean the fan blades, unclamp the guard clips and remove the front fan grill.
4. Wipe the fan blades and grills carefully.
5. Reassemble the fan by snapping the front grill back into place.

### **WARNING:**

**Do not immerse the appliance in water and never let the motor housing be in contact with water**

**Do not use any cleaning chemicals such as detergents and abrasives.**

## MAIN SPECIFICATION

Voltage	: 220-240V, 50/60Hz
Rated Power	: 180W
Fan Size	: 26-Inch
Motor	: 3-Speed

### NOTICE

This product must not be disposed together with domestic waste. It has to be disposed at an authorized place for recycling of electrical and electronic appliances. By collecting and recycling waste, you help to save natural resources and make sure the product is disposed in an environmentally friendly and healthy way.



**ELBA**