

ELBA

2-IN-1 HOT POT & BBQ GRILLER

MODEL: EGL-K3051(BK)

Owner's Manual

Please read this manual carefully before operating your set.

Retain it for future reference.

Record model number and serial number of the set.

See the label attached on the set and quote this information to your dealer when you require service.

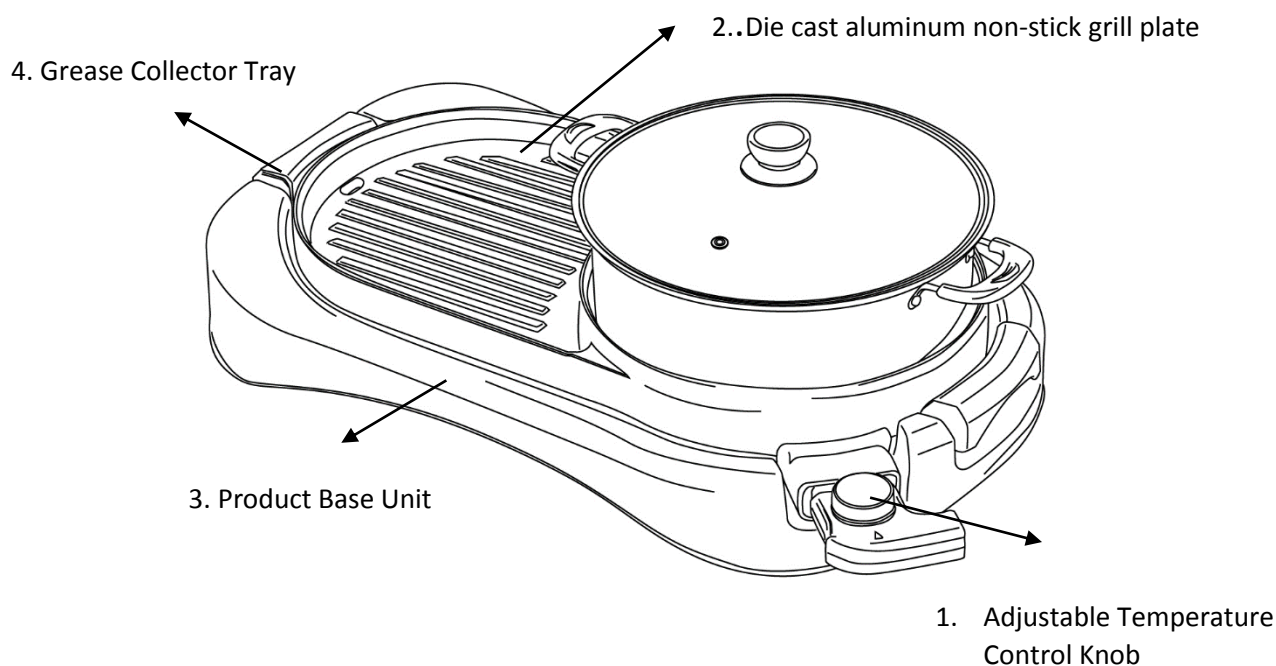
For The Warranty Terms & Conditions Please Refer To Warranty Certificate.

IMPORTANT SAFEGUARDS

Before using the electrical appliance, the following basic precautions should always be followed:

1. Read all instructions before using.
2. Before using check that the voltage of wall outlet corresponds to the one shown on the rating plate.
3. Do not operate any appliance with a damaged cord or plug or after the appliance malfunctions, or is dropped or damaged in any manner. Return appliance to manufacturer or the nearest authorized service agent for examination, repair or electrical or mechanical adjustment.
4. Do not touch hot surfaces. Use handles.
5. To protect against electric shock do not immerse cord, plugs, or housing in water or other liquid.
6. Unplug from outlet when not in use, before putting on or taking off parts, and before cleaning.
7. Do not let cord hang over edge of table or hot surface.
8. The use of accessory not recommended by the appliance manufacturer may cause injuries.
9. This appliance is not intended for used by persons (including children) with reduced physical, sensory or mental capabilities, or lack of experience and knowledge, unless they have been given supervision or instruction concerning use of the appliances by a person responsible for their safety.
10. Children should be supervised to ensure that they do not play with the appliance.
11. Do not place on or near a hot gas or electric burner, or in a heated oven.
12. Never leave the appliance unattended when in use.
13. Do not place cooking utensils on the cooking surfaces of the appliance.
14. Never use a knife directly over the plate.
15. Do not remove the grease collector tray during cooking.
16. Do not move the appliance when in use.
17. Never switch on the appliance without properly placed grill plate.
18. This appliance is intended to be used in household only.
19. Do not use outdoors.
20. Save these instructions.

PRODUCT DESCRIPTIONS



BEFORE THE FIRST USE

1. Unpack appliance and check whether all parts and accessories are complete and free from damage.
2. Clean all the parts according to the section “CLEANING AND MAINTENANCE”.
3. Wipe the inside and outside of the Base Unit with clean, moist cloth. NEVER wash or submerge the base unit in water or liquid of any kind.
4. Place the appliance on a stable, level horizontal and heat-resistant surface; ensure the grill plate is fixing into position on product base unit.

CONTROL PANEL

1. Turn the adjustable temperature control knob in 0 position, insert temperature regulator in the inlet.
2. Insert the plug and the appliance is ready for use.
3. The indicator light will light up once grill plate is ready.
4. Set temperature knob between 1-5 (depending on ingredients and desired texture)
5. After the pan turn on for 5-10 min, if the indicator light turns on, you can begin to cook.
6. If the food is complete done, the temperature may be kept, put the temperature knob to keep warm.

Remark:

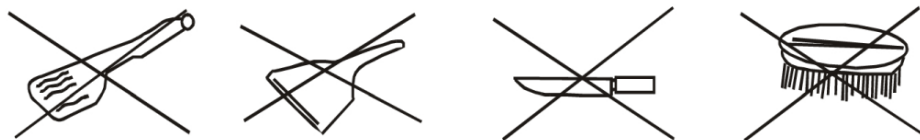
- a. If the lamp would be off, this is not error as this is safety cut off of the appliance.
 - b. If it has sound, this is not error; the sound is come from the heating element and grill plate.
 - c. Do not put your hand under the grill plate; do not put any easy fired material on the grill plate.
7. After complete the cooking process, turn the temperature knob to OFF.



Caution when using grill plate:

The surface of the grill plate is die cast aluminium so please take care as follow:

- a. Do not use sharp made of metal. (If the meat required to cut, put the food on another plate for easy cutting)
- b. Do not use sharp knife to cut food on the surface.
- c. Do not put the temperature regulator on the grill plate. It is not allowed to contact with grill plate.
- d. Do not use cleaner, nylon brush or metal brush. The surface of the heat plate would be damaged.



- e. The grill plate must be cleaned after using, with a wet cloth.

CLEANING AND MAINTENANCE

Disconnect the appliance from the wall outlet and let it cool down before cleaning.

- 1. Take out the temperature regulator from the appliance.
- 2. Caution: Because the temperature regulator is very hot after usage. Let the grill plate and hot pot cool down completely before start the cleaning.
- 3. Do not put and clean the grill plate into water.
- 4. After cleaning, please dry it completely before keeping.
- 5. Do not use the appliance on an unsteady place or on the inflammables (newspaper, PVC table cover carpet or etc.) The appliance must a least minimum 15cm far from the wall and furniture.

6. The temperature regulator is a sensitive part. Please be careful and do not let the appliances to fall down to be dashed.
7. Always use the temperature regulator, which supply by authorized service centre.
8. Inserting the temperature regulator, to recheck it must be put into the right place. If you pull out the temperature regulator, do not pull the cable. Hold the plug and pull out slowly.
9. If found the temperature regulator damaged, shut down and please stop using immediately. Bring to authorized service centre for repair.
10. Before insert and pulling the temperature regulator, must ensure that control knob is in OFF position.

Environment-Friendly Disposal



Never throw the Automatic Bread Maker into the normal household waste.

Observe the currently applicable regulations. In case of doubt, please contact your waste disposal centre.

ELBA