

ELBA

DRY IRON

MODEL: EDI-G1236(PP)

Owner's Manual

Please read this manual carefully before operating your set.

Retain it for future reference.

Record model number and serial number of the set.

See the label attached on the set and quote this information to your dealer when you require service.

For The Warranty Terms & Conditions, Please Refer To Warranty Certificate.

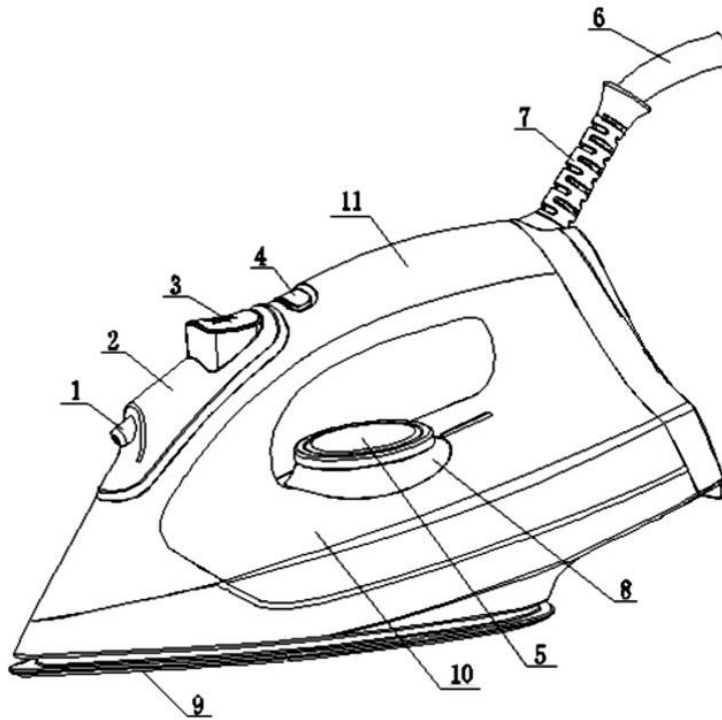
IMPORTANT SAFEGUARDS

When using this appliance, basic precautions should always be followed, including the following:

1. Read all instruction before using.
2. Never leave the iron unattended when it is connected to the power.
3. Do not operate the iron with a damaged cord or if the iron has been dropped or damaged. To avoid the risk of electric shock, do not disassemble the iron on your own. Return the iron to the nearest authorized dealer or after-sales service centre for examination, repair or mechanical adjustment. Incorrect reassembly can cause a risk of electric shock when the iron is used.
4. To protect against a risk of electric shock, do not immerse the iron in water or any other liquids.
5. Never yank cord to disconnect from outlet instead, grasp plug and pull to disconnect.
6. Do not allow the power cord to touch hot surfaces. Let the iron cool down completely before putting away. Loop cord loosely around iron when storing.
7. **Warning:** The soleplate of the iron can become extremely hot right after use and may cause burns if touched.
8. **Do not add chemical additive, scented substances or decalcifiers into the water tank.**
9. Always disconnect iron from electrical outlet when filling with water or emptying and when not in use.
10. This appliance is not intended for used by persons (including children) with reduced physical, sensory or mental capabilities, or lack of experience and knowledge, unless they have been given supervision or instruction concerning use of the appliances by a person responsible for their safety.
11. Children should be supervised to ensure that they do not play with the iron.
12. Do not operate the iron for other than its intended use.
13. Do not use the iron outdoors.
14. Save these instruction for future reference.

PRODUCT DESCRIPTION

1. Spray nozzle
2. Spray water tank
3. Spray button
4. Spray unit release button
5. Temperature control dial
6. Supply cord
7. Swivel power cord protector
8. Indicator light
9. Non-stick soleplate
10. Body unit
11. Handle cover

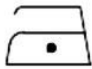
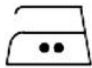




USING THE IRON FOR THE FIRST TIME

When using the iron for the first time, you may notice a slight emission of the steam and heard some sound made by the expanding plastic. This is considered normal and it stops after a short time. We also recommend passing the iron over an ordinary cloth before using it for the first time.

PREPARTION TEMPERATURE

Soft the laundry to be ironed according to the international symbols on the garment label, or if this is missing please refer to the type of fabric.

GARMENT LABEL	FABRIC TYPE	THERMOSTAT REGULATION
	synthetic	• low temperature
	silk - wool	• • medium temperature
	Cotton - linen	• • • high temperature
	Fabric not to be ironed	

- Start ironing the garment which requiring lowest temperature. This reduce the waiting times (the iron takes less time to heat up than to cool down) and eliminates the risk of scorching the fabric.
- Iron the reserve side of synthetic material and silk to prevent shining spots. To prevent staining do not use the spray on silk or other delicate fabrics.

FILLING THE RESERVOIR

You can fill the water tank with normal tap water.

- 1) Press the release button and remove the spray unit.
- 2) Pull out the spray water tank.
- 3) Fill the water tank.

Note: Do not fill the water tank higher than the maximum marking.

- 4) Replace the spray unit in position.

SETTING THE TEMPERATURE

- Set the appropriate ironing temperature instructions or in the fabric table by means of temperature control dial.
- Connect the plug to the wall outlet. The indicator light indicates that the iron is heating up.
- Wait until the indicator light goes off before ironing.
- The indicator light will come on from time to time during ironing. This has no effect on the ironing, so simply continue.
- If you set the temperature control to a lower setting after ironing at a high temperature, do not recommence ironing before the indicator light comes on again.

IRONING TIPS

- Iron with a straight back, adjust the height of the ironing board so that the handle of the iron is on the same level as your elbow.
- Pressing onto the iron is not necessary. Provided that the temperature has been set correctly. Ironing is most effective if the garment is slightly damp.

SPRAYING FUNCTION

- At any temperature by pushing on the spray button a couple of times the laundry can be damped down.

WHEN FINISHED IRONING

- Place the iron on its rear side.
- Set the temperature dial to position “MIN” position.
- Remove the mains plug from the wall outlet.
- Let the iron cool down for at least 30 minutes.
- You can wind up the supply cord and then fix by a cord clip.
- Store the iron standing on its rear side to prevent damage soleplate.

CLEANING AND MAINTENANCE

- Before cleaning remove the mains plug from the wall outlet, let the iron to cool down sufficiently.
- The appliance can be cleaned with a damp cloth.

ELBA