

JohnnyVac



USER GUIDE
JVC65RBTN
26" Horizontal Autoscrubber With Traction

DANGER - WARNING

This unit is a commercial product designed for indoor hard surface cleaning only. It is not recommended for any operations other than those described in this operator's manual. Make sure that the pads, brushes and detergents used with this machine are compatible with this machine before using them.

Your safety and the safety of others are very important.

We have provided many important safety messages in this manual.

Always read and comply with all safety messages.



This is the safety alert symbol.

This symbol alerts you to potential hazards that can kill or hurt you and others.

All safety messages will follow the safety alert symbol and either the word « **DANGER** » or « **WARNING** ». These words mean:

DANGER

You can be killed or seriously injured if you don't **immediately** follow instructions.

WARNING

You can be seriously injured if you don't follow instructions.

All safety messages will tell you what the potential hazard is, tell you how to reduce the chance of injury, and tell you what can happen if instructions are not followed.

READ ALL INSTRUCTIONS BEFORE USING THE UNIT

All units sold by Johnny Vac have a user manual that is an integral part of the device sold. Please read this instruction manual carefully before using your device. Photos are included in this manual to help you visualize the informations.

In addition to the great service this device can provide, taking the following precautions will only improve your performance with less effort. This guide provides you with excellent information to help you:

- Identify and recognize the specificities of the JVC65RBTN;
- To use the device in complete safety and in the best possible conditions;
- To maintain the device periodically for maximum performance;
- To find out what parts you might need and order them from Johnny Vac.

PROTECT THE ENVIRONMENT

The materials used for packaging your unit as well as used parts, batteries and their liquids such as oil or antifreeze must always be collected and recycled, or taken to the appropriate disposal sites in accordance with the laws in force in your area.

PROTECT THE ENVIRONMENT



Please dispose of the materials, parts of old appliances and batteries according to the regulations in force in accordance with the environmental protection methods.



Remember to recycle as many parts as possible.

MACHINE DATA

Please fill this form at the time of installation for future references.

Model No: _____

Serial No: _____

Installation Date: _____

C O N T E N T S

Safety Precautions	5 - 6	Battery Charge	22 - 24
Safety Labels	7	• Specifications for Charger	22
Machine Components	8	• Use of Charger	22
Symbols On Control Panel	10	• Battery Installation and Use	23
Unpack The Machine	10	• Intelligent Charger Led Indicator.....	24
How The Machine Works	11	Machine Maintenance	25 - 31
• Cleaning Method	11	• Daily Maintenance.....	25 - 27
• Cleaning Brush & Pads	11	• Monthly Maintenance.....	27
Machine Installation	12 - 15	• Half-Yearly Maintenance	28
• Install The Battery	12	• Squeegee Blade Replacement.....	29
• Squeegee Installation And	13	• Squeegee Blade Adjustment.....	30 - 31
Connection		Push, Tow and Transport	32 - 32
• Install Brush / Pads	14	the Machine	
• Fill The Solution Tank.....	15	• Push Or Tow The Machine.....	32
Machine Operation	16 - 20	• Transport The Machine.....	32
• Pre-Operational Check	16	• Machine Storage.....	33
• Start The Machine	16 - 18	• Frost Protection.....	33
• During Operation	18	Troubleshooting	34 - 35
• Battery Electricity Meter	19	Specifications	36 - 37
• Overload Circuit Breaker	19	• Machine Dimensions / Capacity.....	36 - 37
• Timer	19		
Drain the Tanks	20		
• Drain The Recovery Tank	20		
• Drain The Solution Tank	21		

SAFETY PRECAUTIONS



WARNING: To warn the hazards or unsafe operations that may cause severe personal injury or death.

- **FOR SAFETY:** Underline and remember the steps to follow for safe operation of the unit.
- The following symbols indicate a potential hazard to you and the unit.



WARNING: To warn the danger of fire or explosion.

- **Do not use inflammable liquids;** do not operate the machine near or in places with inflammable liquids, gas, or combustible dust.
- Since this machine is not equipped with an explosion-proof motor, the stops generated by its electro-motor may cause a flash fire or explosion if it is operated in places with inflammable liquids, gas, or combustible dust.
- Do not pick up any inflammable materials or reactive metal.



WARNING: To warn electric shock hazard.

- Disconnect the batteries and unplug the charger plug before repairing the machine.
- Do not charge the batteries with damaged cables. Any modification of the plug is not allowed. In case the charge cable is damaged or broken, to avoid risks, it must be replaced by its manufacturer, the servicing agents or similar qualified personnel.



WARNING: It is important not to touch the brushes when they are in operation. Please turn off the unit before performing any repairs.

SAFETY PRECAUTIONS

1. Do not operate the machine:

- Near or in places with inflammable liquids or gas in case of explosion or flash fire.
- Unless trained or authorized.
- Unless operation manual is carefully read and fully understood.
- When you feel unable to use this device.

2. Before operating the machine:

- Please ensure that all safety precautions are understood and followed.

3. When operating the machine:

- Avoid wearing loose items such as jewelry or a tie. Do not wear loose jackets, shirts or sleeves while working on the unit.
- Disconnect the battery before servicing the unit.
- Wear safety gloves and protective gear such as work shoes and eye protection before servicing or connecting the batteries.
- Do not power spray or hose off the machine. Electrical malfunction may occur.
- Use the parts provided or approved by Johnny Vac.
- Maintenance should be performed by qualified maintenance personnel.
- Never repair any part of the unit that differs from its original design.
- It is important to proceed slowly on sloping surfaces and wet floors.
- Wear non-slip shoes.
- Always operate the unit slowly when turning.
- Report machine damage or fault operation immediately.
- Children are forbidden to play on or near the machine.
- Follow the mixing and handling instructions on chemical containers.
- Do not operate the machine on inclines exceeding 5% (3°).

4. Before leaving or servicing the machine:

- Stop the machine on level surfaces.
- Turn off the machine.
- Remove the key.

5. When loading/unloading the machine onto/off a truck or trailer:

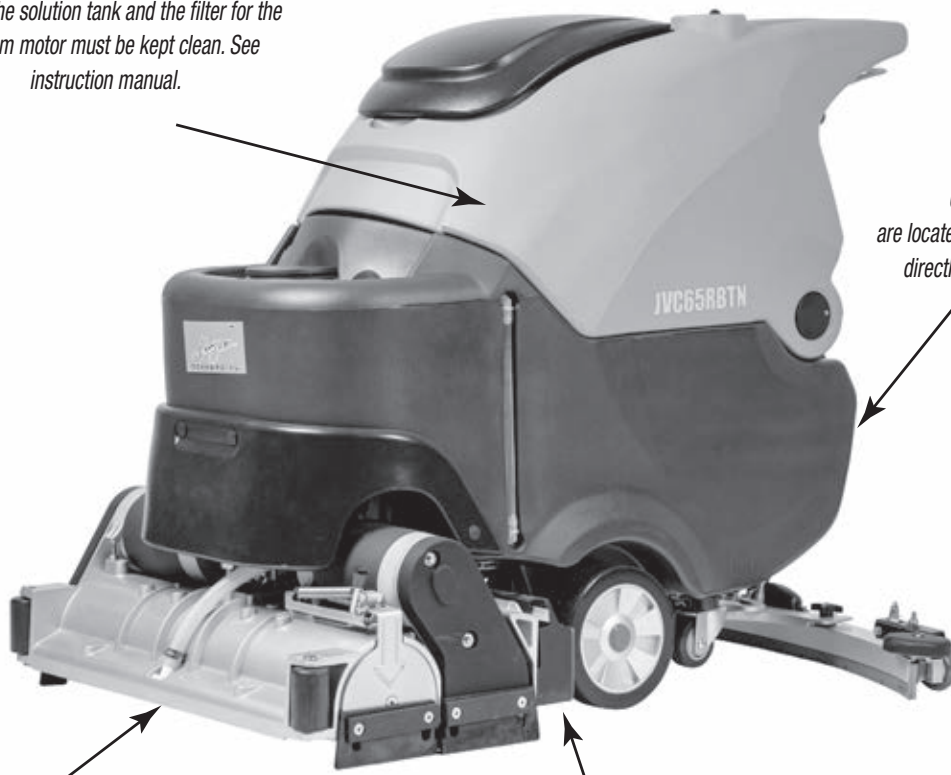
- Add one gallon (4L) of RV antifreeze to the clean water tank, without diluting the product. - Drain the tanks before loading the machine.
- Use the suggested cargo handling apron when loading/unloading the machine onto/off a truck or trailer.
- Remove the batteries before loading the machine.
- Carry the machine with the assistance of other personnel.
- Turn off the machine.
- Lower the brush motor.
- Attach the unit to the box on the transport truck.

SAFETY LABELS

Safety labels are marked on appropriate surfaces according to their contents. Please replace the labels in case they are missing, damaged or difficult to recognize.

The safety labels are located on the top of the recovery tank.

Caution: Do not use foamy detergents.
Inflammable liquids must not be sucked. The filter in the solution tank and the filter for the vacuum motor must be kept clean. See instruction manual.

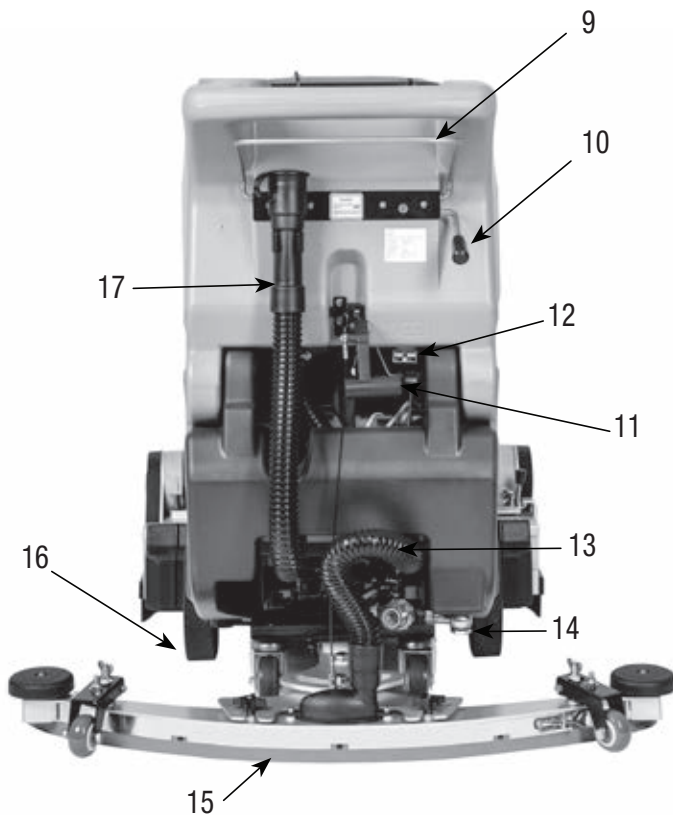
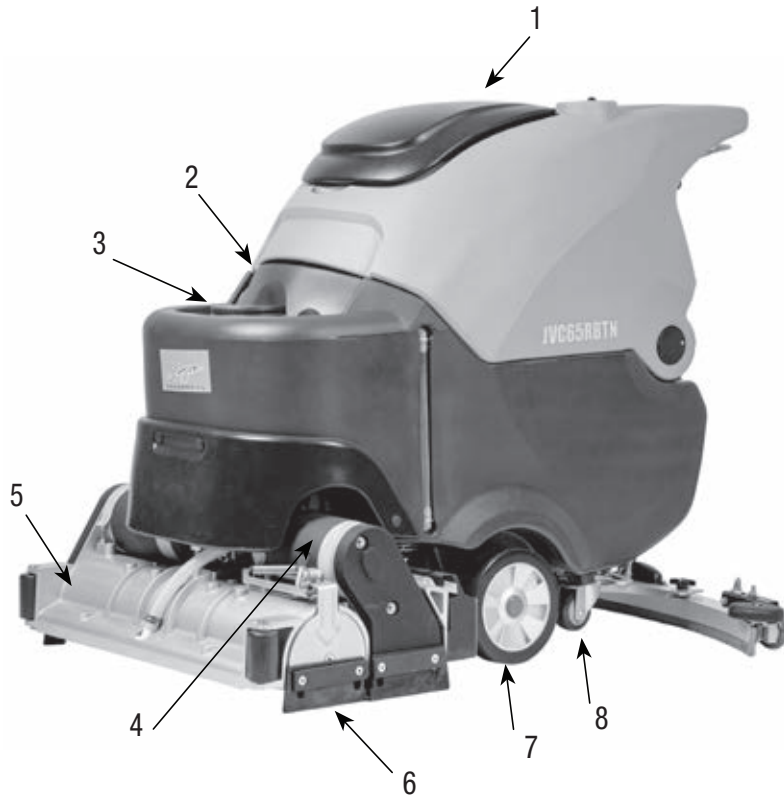


Charging labels
are located on the sides of the unit,
directly on the recovery tank

Caution: If the brush is in motion, do not touch it.
Unplug the machine before working on it.

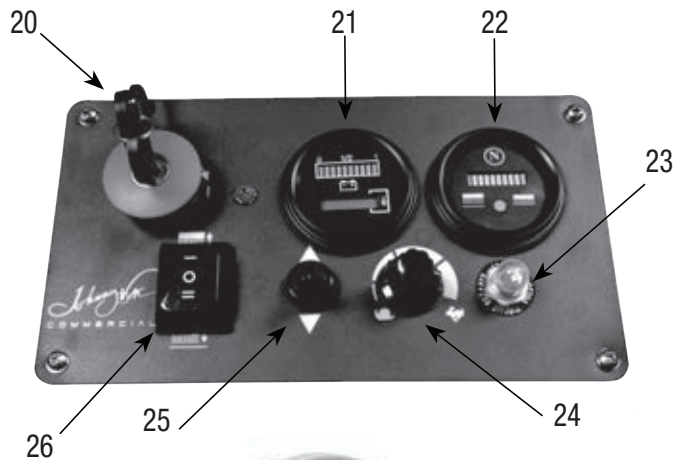
Waste recovery
compartment

MACHINE COMPONENTS

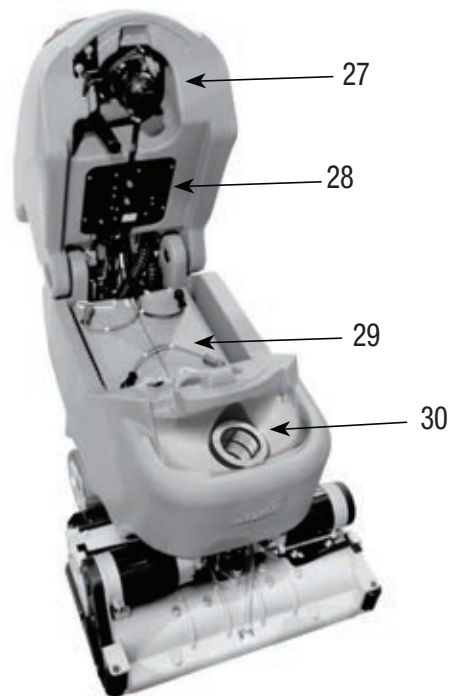


1. Recovery tank cover
2. Main handle
3. Water injection opening
4. Brush
5. Brush motor
6. Brush
7. Duty caster
8. Universal wheel
9. Motor switch handle
10. Water valve handle
11. Squeegee lifting handle
12. Charge couple
13. Vacuum hose
14. Wash water filter
15. Squeegee assembly
16. Solution tank water outlet
17. Discharge hose

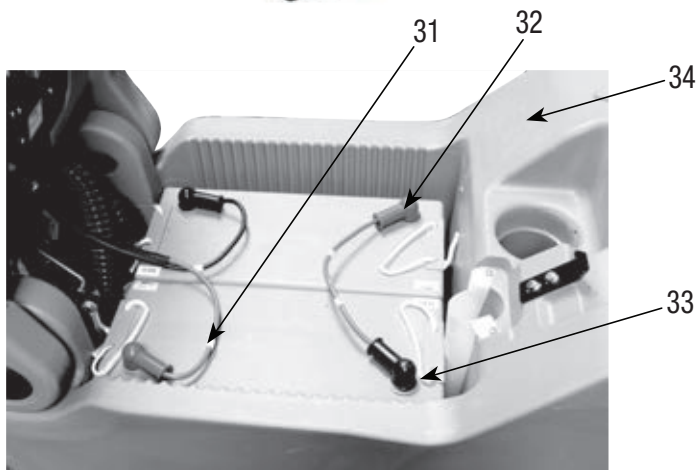
MACHINE COMPONENTS



- 20. Ignition Key
- 21. Battery electricity meter
- 22. Brushes pressure gage
- 23. Overload Protector
- 24. Speed switch



- 25. Forward/backward switch
- 26. Motor and lift switch brush
- 27. Vacuum motor
- 28. Control panel brush break
- 29. Battery



- 30. Water injection filter
- 31. Battery connection cables
- 32. Battery anode line (red)
- 33. Battery cathode line (black)
- 34. Battery connection diagram

SYMBOLS ON CONTROL PANEL



Main power switch



Brush motor switch



Speed control



Brush motor switch

UNPACK THE MACHINE

1. Check the package for any discrepancies. If you find any discrepancies, please notify the delivery agent.
2. Check that you have all the parts of the unit and its components by referring to the equipment list below. If any parts are missing, please contact your distributor.

Freight List:

- 1 Key
- 2 - 12V batteries
- 120V, 15A intelligent charger
- 8 connecting cable, 37 cm
- 4 rubber covers for battery connection
- 1 set of squeegee assembly
- 2 brushes

3. Remove the steel fixed block before unpacking the machine. Unload the machine off the rack carefully with the assistance of other personnel.

NOTE: Do not push the machine directly without using the cargo handling apron in case of damages.

NOTE: To avoid damages to the machine, fix the batteries after the machine is unloaded from the rack.

HOW THE MACHINE WORKS

CLEANING METHOD

The soap and water combination is sprayed on the floor in front of the brushes. The brushes polish and dislodge the dirt. The waste water is then collected by the squeegee. The vacuum cleaner is then triggered for easy and quick drying. This is how the JVC65RBTN works.

CLEANING BRUSH & PADS

It is important to use brushes that are compatible with the unit to ensure better performance.

Specifications of recommended brushes and pads are given as follows:

Brushes : Two 26" brushes. New brushes are sold at Johnny Vac, # JVC5020BR.

NOTE: Brushes engage only when they are in contact with the floor.

MACHINE INSTALLATION

INSTALL THE BATTERY

FOR SAFETY: Wear safety gloves and eye protective devices before working on the batteries or battery connection.

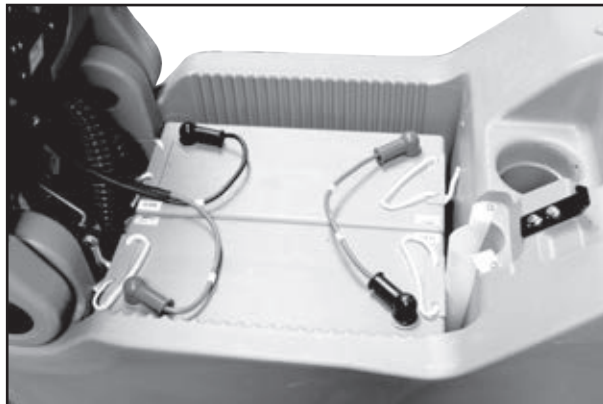
Suggested specifications of batteries:

Two sets of 12 V, 120 Ah maintenance-free batteries (**Figure 1**).

Maximum size of battery: 176 mm x 332 mm x 214 mm (width x length x height)

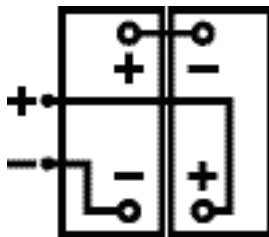
1. Stabilize the unit on a level surface. Turn off the power switch and remove the ignition key.
2. Lift the recovery tank cover to access the battery compartment, as shown in the image below.

Figure 1



3. Carefully place the batteries in their slots if they are not already there.
4. Connect the battery cables as shown in (**Figure 2**) below: the red cable to the positive (+) anode and the black cable to the negative (-) cathode.

Figure 2



MACHINE INSTALLATION

SQUEEGEE INSTALLATION AND CONNECTION

1. Stop the machine on a level surface, turn off all the power switches and remove the key.
2. Pull the squeegee lifting rod upwards (**Figure 3**).

Figure 3

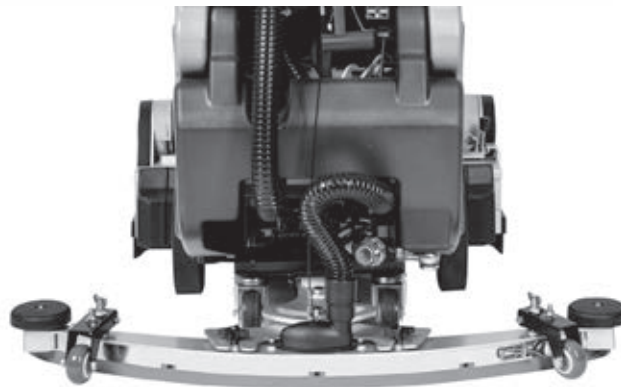


3. Fix the squeegee assembly to squeegee installation bracket (**Figure 4**).
4. Place the fastening knob into the socket completely before tightening.

Figure 4



Figure 5



5. Connect vacuum hose to the squeegee assembly as is shown below (**Figure 5**).
6. Check squeegee blade and make proper adjustment if necessary (**in page 30**).

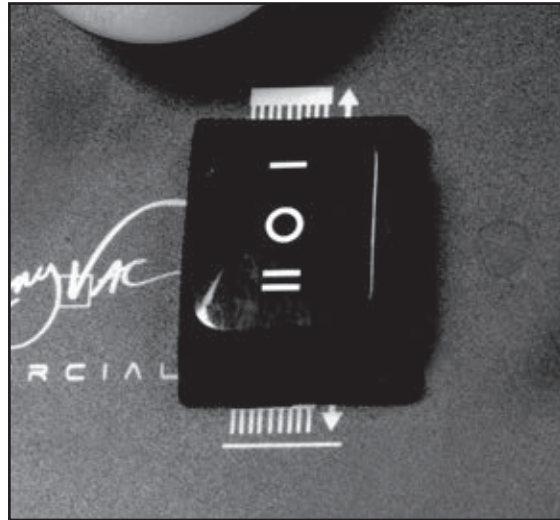
MACHINE INSTALLATION

INSTALL BRUSH & PADS

FOR SAFETY: Stop the machine on a level surface, turn off all the power switches and remove the key before installing the brushes or pad holder.

1. Stop the machine on a level surface, turn off all the power switches and remove the key.
2. Push the lifting pedal down while moving it rightwards (as indicated by the arrow) to lift the brush motor (**Figure 6**).

Figure 6



3. Slide in oscillating the brush in the opening planned for that purpose on each side of the device. Assure that brushes are inserted well into their space. Close the panel and assure that this panel is firmly in place so that brushes work completely. (**Figure 7**)

Figure 7



MACHINE INSTALLATION

FILL THE SOLUTION TANK

Use the water injection hole in the front of the machine to fill the solution into the solution tank (**Figure 8**).

Scrubbing method: hot water (not higher than 60°C) is required. Pour a suggested amount of detergent and water into the solution tank for mixing according to instructions on the detergent container.



Figure 8

NOTE: When filling the solution tank with a bucket, make sure that it is clean. Do not use the same bucket for filling and draining the machine.

ATTENTION: For conventional scrubbing, only use recommended cleaning detergents. Machine damage due to improper detergent usage (such as washing powder) will void the manufacturer's warranty.

WARNING: Do not use inflammable liquids in case of fire or explosion.

FOR SAFETY: Follow the mixing and handling instructions on detergent container .

MACHINE OPERATION

FOR SAFETY: Do not operate the machine before fully reading and understanding this operator manual.

WARNING: Do not operate the machine near or in places with inflammable liquids, gas, or combustible dust in case of fire or explosion.

PRE-OPERATIONAL CHECK

- Be sure to mop the floors before cleaning to remove large debris.
- Check battery power indicator. For more information regarding the battery charge indicator, please refer to page 24.
- Check for abrasion on pads / brush.
- Check for abrasion on squeegee blade and make appropriate adjustment.
- Make sure the recovery tank is empty, and that the screen filter has been installed and is clean.

START THE MACHINE

1. Turn the main power switch on, adjust the forward/backward switch on the forward position.
2. Press brush motor button and adjust the proper speed (**Figure 9**).

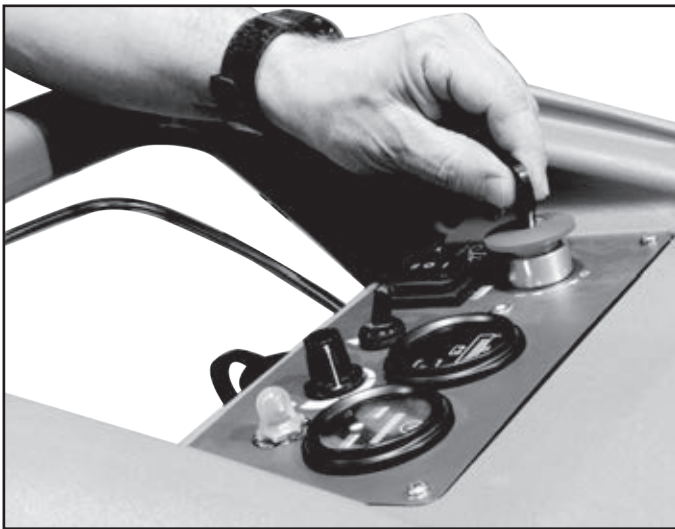
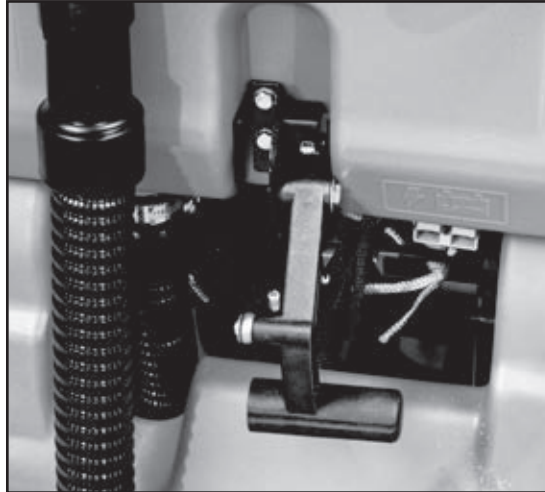


Figure 9

MACHINE OPERATION

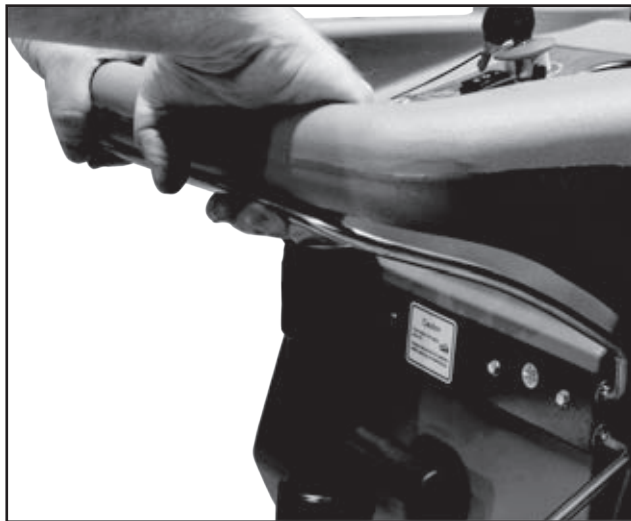
3. Lay squeegee lifting handle down, so that the squeegee assembly reaches the ground (**Figure 10**) and vacuum motor starts to work.

Figure 10



4. Release water valve handle and lift motor switch handle to start scrubbing (**Figure 11**) and be sure to vacuum on a wet floor surface.

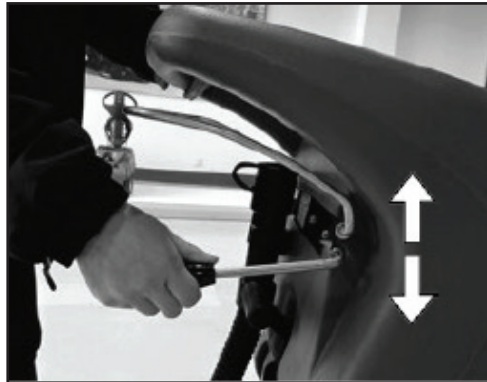
Figure 11



MACHINE OPERATION

5. Adjust water flow by lifting water valve upward and downward to fit different scrubbing requirements (Figure 12).

Figure 12



6. When stopping scrubbing, turn off the brush motor and squeegee motor switches as well as the main power switch to lift the brush and squeegee assembly.

DURING OPERATION

WARNING: Do not pick up any inflammable materials or reactive metal in case of fire or explosion.

FOR SAFETY: Go slowly on inclines and slippery surfaces and wear non-slip shoes.

1. Respect the cleaning width of 26" (66 cm).
2. Keep the machine running to avoid damages to the ground.
3. Clean up the scrubbing area in advance to avoid scuff marks, if any, wipe the squeegee blade with a piece of rag to remove the debris on it.
4. Do not operate the machine on inclines exceeding 5% (3°).
5. Add a moderate quantity of defoamer to recovery tank to remove additional foam.

NOTE: Keep the foam away from sewage screen filter in the recovery tank in case of motor failure.

6. A dual cleaning method is recommended when scrubbing heavily dirty area. Do scrubbing with the squeegee lifted, wait 3-5 minutes for the solution to soak before scrubbing again with squeegee down.
7. Lift the squeegee and brush, turn off all the power switches and remove the key before operator leave.

MACHINE OPERATION

BATTERY ELECTRICITY METER

Battery electricity meter display battery capacity. When the battery is fully charged, all the LED indicators will be on and then go out in sequence from right to left.

NOTE: To prolong batteries service life, charge them timely after use.

It is best to stop scrubbing and charge the battery cells when the left light is blinking. Scrubbing function will be automatically shut off during excessive operations with left light blinking to prevent the battery cells from running out. Charge the battery cells immediately in this case (**Figure 13**).

Your machine is equipped with a pressure gage for the brushes. This gage helps you to get the pressure you need for the brushes. If the gage is red, there is too much pressure. Never have the gage in red light. It can affect the motor and the brushes (**Figure 14**).

Figure 13

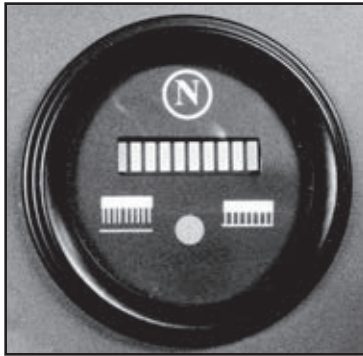
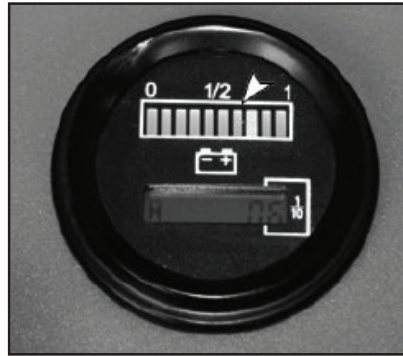


Figure 14



OVERLOAD CIRCUIT BREAKER

This model is equipped with a restorable overload protector with a button located on the control panel (**Figure 15**) to avoid damages to brush motor. When the overload protector is activated and triggers blackout, please check the reason, then press the overload protector button manually after the motor cools down.

Contact an authorized service center for machine maintenance.

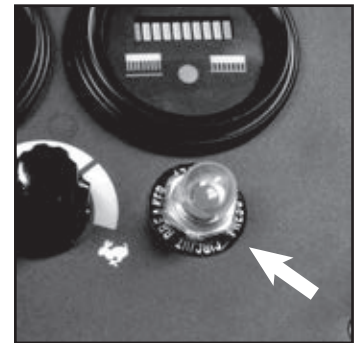


Figure 15

TIMER

The timer is used to count the total working hours of brush motor. Refer to this timer for the maintenance visits of your device (**Figure 16**).



Figure 16

DRAIN THE TANKS

IMPORTANT NOTE

For more details on the procedures for wastewater disposal and treatment, refer to the *Management of Wastewater and Wastewater Treatment Systems* section on the Government of Canada website. Together, let's respect the environment!

It is very important to drain and clean the tanks after each use.

FOR SAFETY: Stop the machine on a level surface when leaving or servicing it, turn it off and remove the key.

DRAIN RECOVERY TANK

1. Carry the machine to a drainage station and turn the power off.
2. Hold the drain pipe upward, remove its cap and lower the hose down for drainage (**Figure 17**).



Figure 17

DRAIN THE TANKS

3. Remove and rinse the sewage screen filter within the recovery tank (**Figure 18 and 19**).

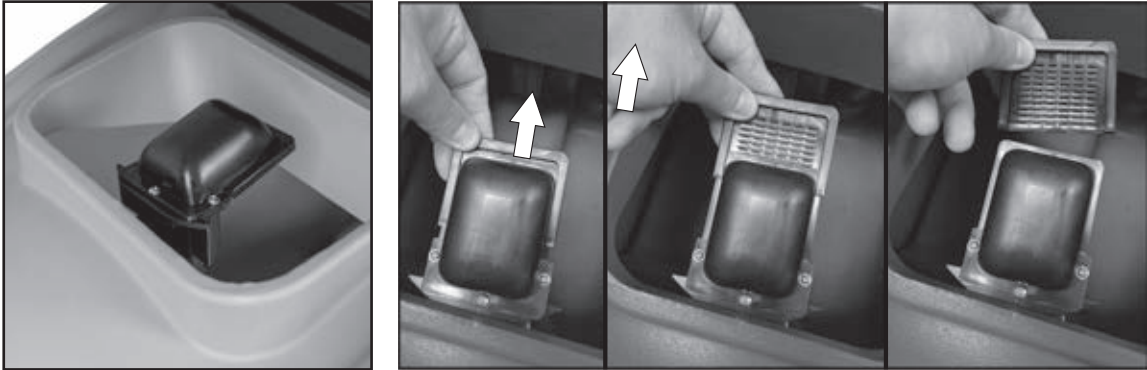


Figure 18



Figure 19

4. When cleaning the recovery tank the filter should not be soggy before reinstalling it. Let it dry completely.

DRAIN THE SOLUTION TANK

Simply unscrew the drain plug from the clean water tank as shown in **Figure 20**.



Figure 20

BATTERY CHARGE

The charger attached to this machine conforms to the charge instructions below.

NOTE: To prolong batteries service life, charge them timely after use in case of damages due to long-term insufficient voltage.

SPECIFICATIONS FOR CHARGER

- Charger type: Automated intelligent charger
- Maintenance free battery
- Output voltage - 24V
- Output current - 15Ah

USE OF CHARGER

Please refer to the charger operation manual attached to the machine for detail information of charger operation.

1. Stop the machine in a well-ventilated place.
2. Stop the machine on a level and dry surface, lift the squeegee and brush, turn off all the power switches and remove the key.
3. Plug the charger's AC power cable into a well-grounded power socket.
4. Connect the charger's DC cable to the battery charging port on the back of the machine (**Figure 21**).

NOTE: The machine stops working once the charger is connected to batteries.

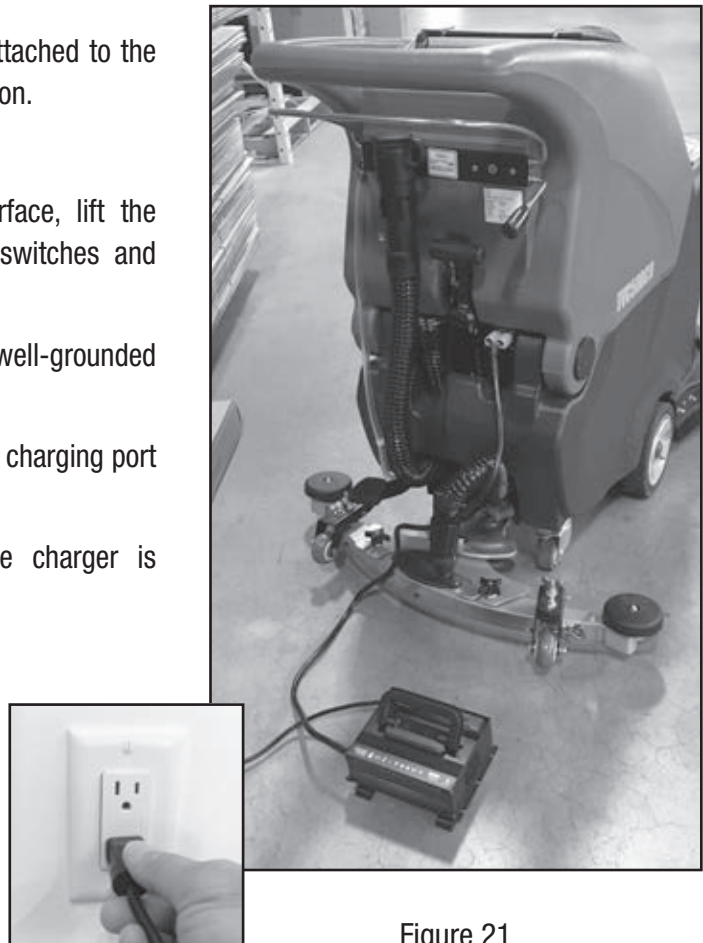


Figure 21

BATTERY CHARGE

NOTE: Do not disconnect the DC cable with the charging port during charging period to avoid arc strike. Unplug the AC power cable in case of forced charging disable.

PRECAUTIONS FOR BATTERY INSTALLATION AND USE

1. Check each battery for damages, cleanliness, and mark clearness before using, clean battery surface with a piece of dry clothes; check the battery cells for open-circuit voltage whether anode/cathode is marked clearly and whether they are connected reversely.
2. Make sure each battery is fixed uprightly without inversion in accordance with drawings; interval between two neighboring battery cells should be at least 5 mm. Check whether the anode/cathode is correct according to the drawings after installation, then connect the battery cells with cables.
3. Check each part of all the battery cells for looseness after installation. Do not tighten the joints with excessive force in case of damages to poles.
4. When fixing the whole set of battery cells to the machine, adjust the chocks between two neighbouring battery cells to make sure all the battery cells stand uprightly. Tighten the battery to avoid shock or bumping.
5. Isolate the components that generate sparks such as main switch, fuse holder, etc., from the battery cells.
6. The battery cells can be fixed to the machine directly since they are at the state of charge before delivery; when out of service for a long period (more than 2 months), please recharge the battery cells before use.
7. Keep batteries away from fire, heat, or direct sunlight during summer, nor can the battery cells be shocked or bumped violently, or short-circuited.
8. Battery capacity is measured at an environmental temperature of 25°. The capacity will drop by 1% every 1° the temperature declines. So take the impact temperature variation into consideration during use. Do not use batteries when the temperature declines below the degree of freezing .
9. No arbitrary disassembly of the battery is allowed in case of danger.
10. Waste batteries must be recycled. Do not abandon them to avoid pollution to the environment.
11. Notice battery temperature when charging in case of danger and damages to the batteries cause by excessive heat.
12. Do not use batteries at insufficient voltage. Charge the batteries to full capacity before using.
13. Do not charge the machine frequently or use it at insufficient voltage for a long time. The damages to the batteries in such cases will void the manufacturer's warranty.

BATTERY CHARGE

INTELLIGENT CHARGER LED INDICATOR

Code	Indicator functions :
RED	On or flashing = Fault
YELLOW	On = Normal charging
	Flashing = No battery or incorrect battery fitted
GREEN	On = Fully charged, battery ready to use
	Caution!
	1. Before charging, read the instructions.
	2. For indoor use only, do not expose to rain or damp conditions.
	3. Avoid prolonged skin contact.
	4. The surface of this charger may exceed 41°C during the boost charging process.
	Warning!
	Risk of electric shock. Do not attempt to open or modify this charger in any way. No user serviceable parts inside.
	Explosive gases. Prevent flames and sparks. Provide adequate ventilation during the charging.

MACHINE MAINTENANCE

Follow the daily, monthly and half-yearly maintenance procedures faithfully to keep the machine working at the best condition.

WARNING: disconnect the battery connection before machine maintenance to avoid electricity shock hazard.

DAILY MAINTENANCE *(after each time of use)*

1. Drain and rinse the recovery tank **(Figure 22)**.



Figure 22

2. Ensure that the main brush can spin while lifting the front of the machine. Remove the brush for cleaning or changing if necessary **(Figure 23)**.

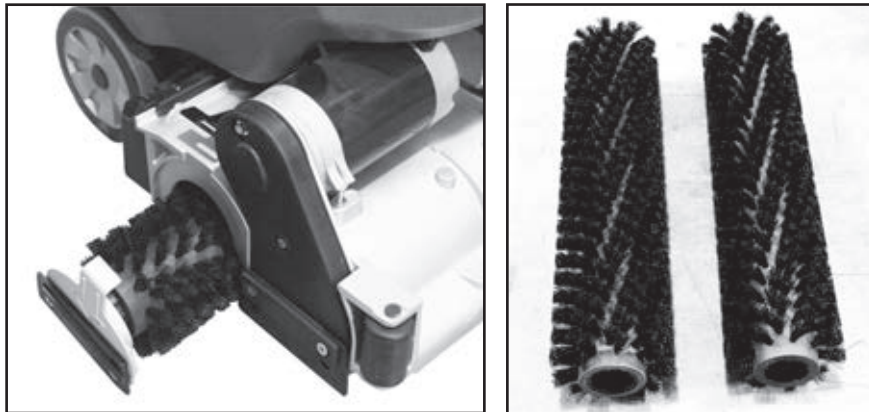


Figure 23

MACHINE MAINTENANCE

3. Cleaning squeegee blade (**Figure 24**). Lift the squeegee assembly to avoid damages to the blade.

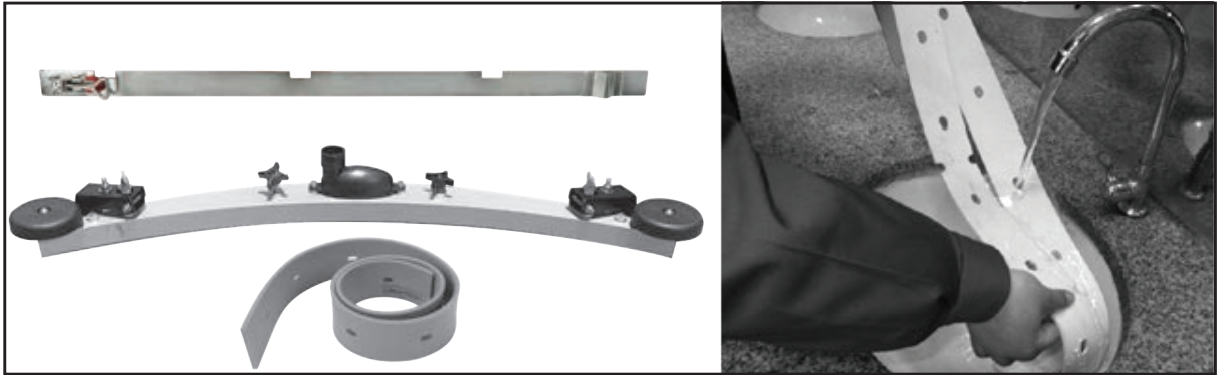


Figure 24

5. Check if the squeegee blade are in good condition; rotate or change blades for new ones. See **Figure 25**;

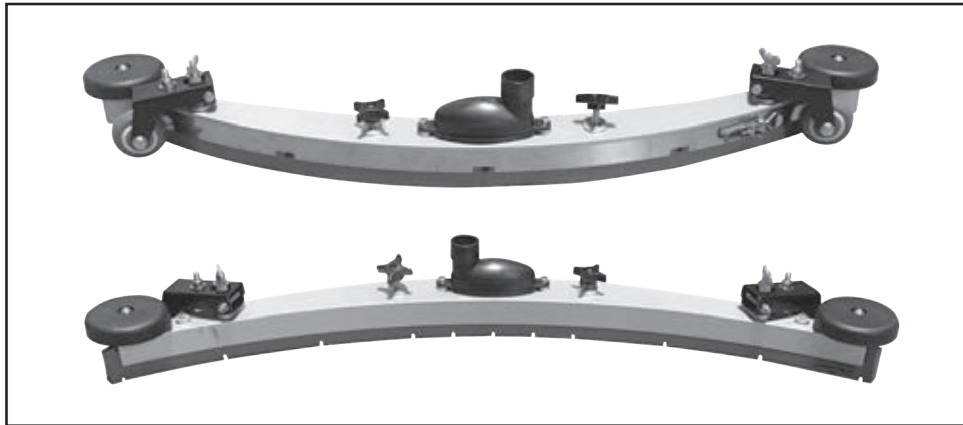


Figure 25

MACHINE MAINTENANCE

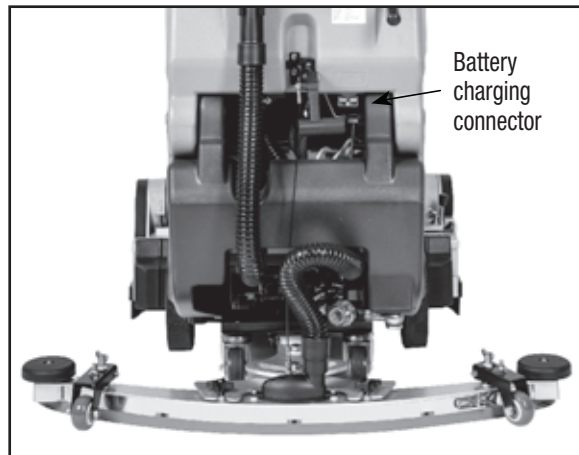
6. Clean the machine with multipurpose detergent and wet cloth (**Figure 26**).

Figure 26



7. To prolong batteries service life, charge them timely after use in case of damages due to long-term insufficient voltage (**Figure 27**)

Figure 27



MONTHLY MAINTENANCE

1. Make sure the clean water tank is empty after each use. To empty the tank, simply unscrew the clean water tank drain plug (**Figure 28**).

2. Remove the filter from the clean water tank (**Figure 29**) and clean it (**Figure 30**).



Figure 28



Figure 29



Figure 30

MACHINE MAINTENANCE

1. Clean the battery surface to avoid electrode corrosion, and check the battery connection for slack (**Figure 31**)



Figure 31

HALF-YEARLY MAINTENANCE

MAINTENANCE FORM

The following form specifies the person in charge of each procedure.

O = **Operator** / T = **Trained Technician**

Intervals	Person in charge	Description	Procedures
Daily	O	Blinks, fan stops	Check the height of brush/ pad holder
	O	Turn RED, fan running	Check for damage, abrasion or debris
200 H	T	Remove the cables from the battery terminals	Clean the battery terminals use a brush for this purpose to remove oxidation on terminals
500 H	T	Vacuum motor	Checks on this engine every 100 days after the first 500 hours of use.
	T	Brush motor	Checks on this engine every 100 days after the first 500 hours of use.
	T	Driving motor	Checks on this engine every 100 days after the first 500 hours of use.
	T	Duty caster	Check damage or abrasion

MACHINE MAINTENANCE

SQUEEGEE BLADE REPLACEMENT

Every squeegee blade has four sides. Exchange its direction if half of the blade is worn out or replace for a new blade if all the four sides are worn out.

1. Cleaning the squeegee: lift and remove the scraper as shown in **Figure 32**.
2. Remove the screws holding the blades and remove the blades (**see Figure 33**)

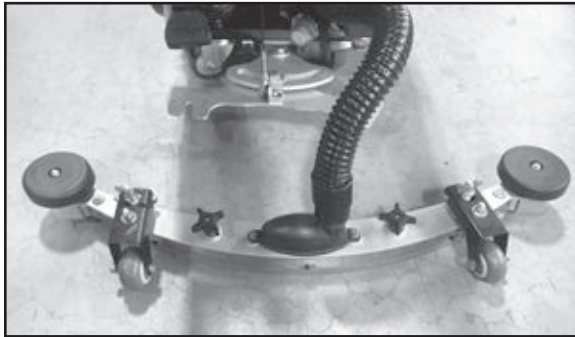


Figure 32

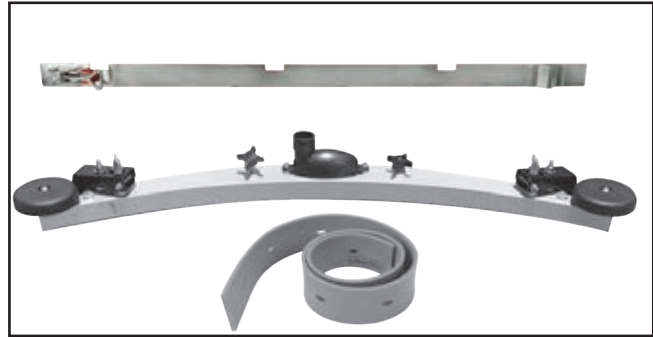


Figure 33

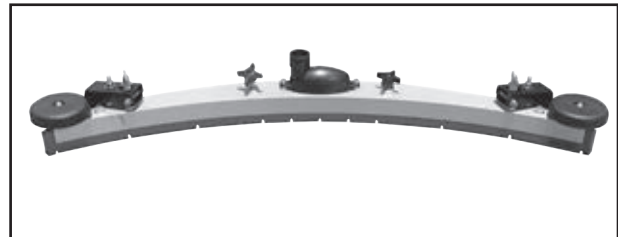
PROPER ASSEMBLED SQUEEGEE

Figure 34 and 35



FRONT SQUEEGEE

Figure 34



BACK SQUEEGEE

Figure 35

MACHINE MAINTENANCE

SQUEEGEE BLADE ADJUSTMENT

The squeegee blades have been adjusted when preparing your unit.

To get a perfect scrape and help dry freshly washed floors. If you need to adjust these wheels, here is how to do it:

1. Check that the squeegee blades are in full contact with the ground and make sure the distance between the squeegee blades and the squeegee wheels is **2 mm** as shown in **Figure 36**. This distance will allow the blades to bend perfectly and scrape the soil in the proper manner. After the squeegee is adjusted properly, squeegee blade should bend as is shown as follows during machine operation.

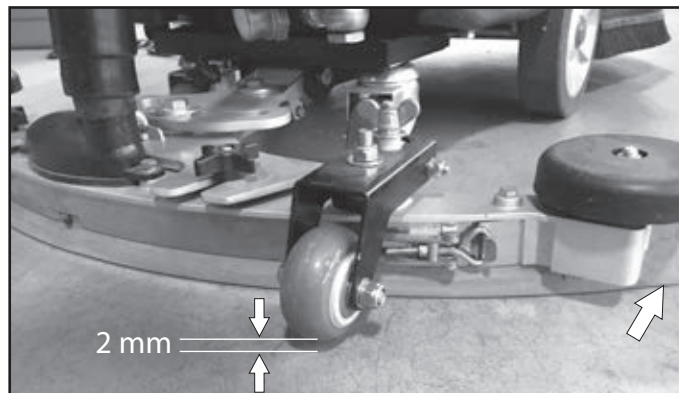


Figure 36

2. Adjust the regulating nut as indicated by arrow **number 1** as shown in **Figure 37** if squeegee blade does not contact the ground or there is a small gap between them. Clockwise rotate the regulating nut to lift the squeegee blade; anticlockwise rotate the regulating nut to lower the squeegee blade. Adjust the squeegee blade to an optimal status according to actual demands (**Figure 36**).

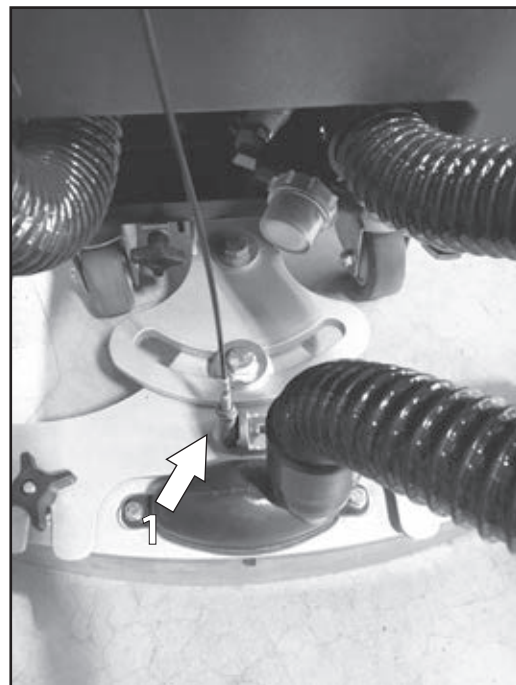


Figure 37

MACHINE MAINTENANCE

3. Adjust the regulating nut as indicated by arrow **number 2** in the following diagram if the middle of squeegee blade contacts the ground well but there is a small gap between the left side of the blade and the ground. Clockwise rotate the regulating nut to lift the left squeegee blade; anticlockwise rotate the regulating nut to lower the left squeegee blade. Adjust the squeegee blade to an optimal status according to actual demands (**Figure 38**).

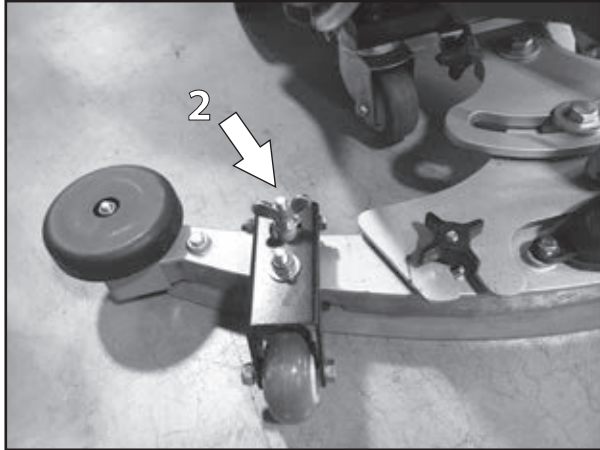


Figure 38

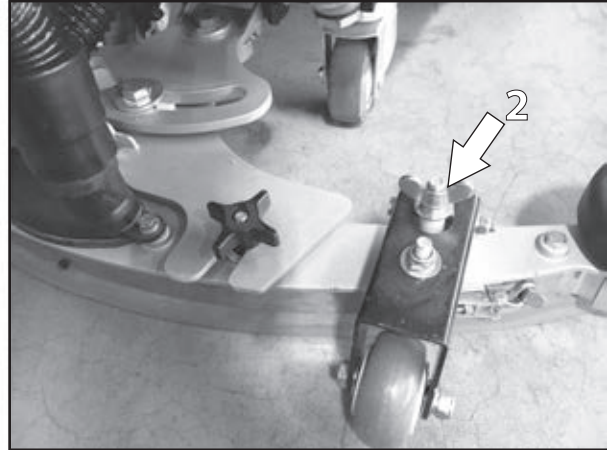


Figure 39

4. Adjust the regulating nut as indicated by arrow **number 2** in the following diagram if the middle of squeegee blade contacts the ground well but there is a small gap between the right side of the blade and the ground. Clockwise rotate the regulating nut to lift the right squeegee blade; anticlockwise rotate the regulating nut to lower the right squeegee blade. Adjust the squeegee blade to an optimal status according to actual demands (**Figure 39**).

5. Adjust the regulating nut as indicated by arrow **number 3** in the following diagram if the middle of squeegee blade contacts the ground well but there is a small gap between the right side of the blade and the ground. Clockwise rotate the regulating nut to lift the right squeegee blade; anticlockwise rotate the regulating nut to lower the right squeegee blade. Adjust the squeegee blade to an optimal status according to actual demands. Be sure the blade contacts the ground well or it forms an inclined angle of 45° with the ground (**Figure 40**).

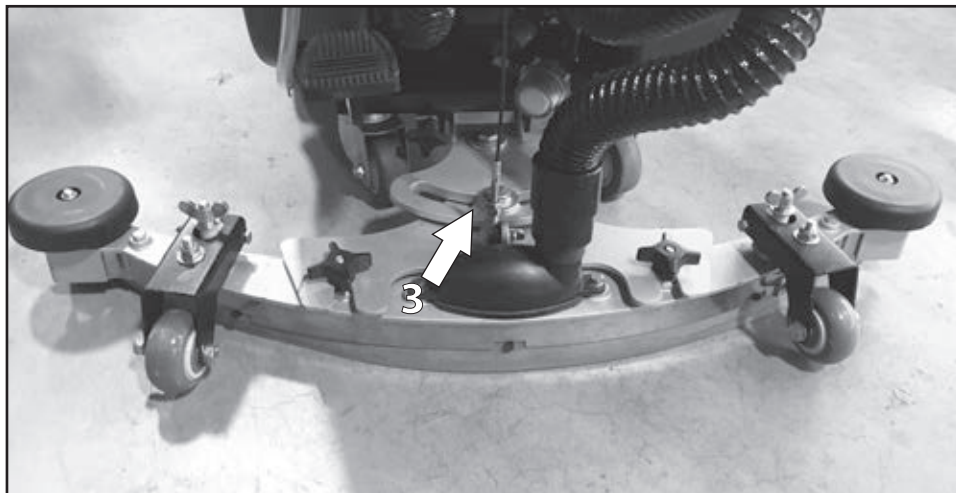


Figure 40

PUSH, TOW AND TRANSPORT THE MACHINE

Be sure to follow these guidelines when transporting the machine from place to place by truck or on a trailer.

TRANSPORT THE MACHINE

If the machine is disabled, it can be pushed from the front or rear, but you can not tow it from the front.

FOR SAFETY: DO NOT operate the machine when brake is disabled.

Only push or tow the machine on a level surface at a speed no more than 3.2 kp/h (2 mph).

DO NOT push or tow the machine at a high speed.

Release the manual brake lever before pushing or towing the machine.

PUSH OR TOW THE MACHINE

Be certain to follow the procedures below when transporting the machine by trailer or truck:

1. Raise the squeegee assembly and the brush motor.

FOR SAFETY: Drain the tanks before loading/unloading the machine on to/off a truck or trailer.

2. Load/unload the machine using recommended equipment.

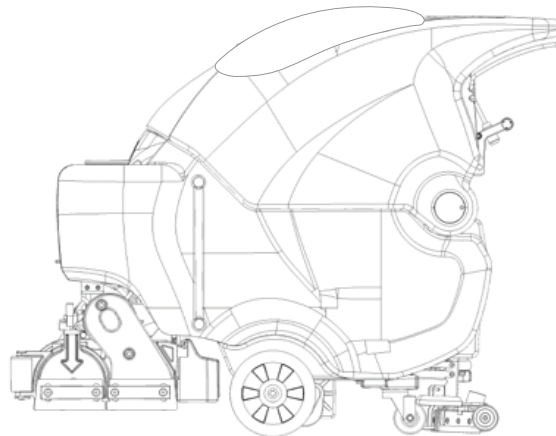
FOR SAFETY: A handling device is recommended to be used for loading/unloading the machine onto/off the truck or trailer.

3. Fix the front of the machine close to the front position of truck or trailer.

4. Place a block behind each driving wheel to avoid machine sliding.

5. Fasten the rack of machine with ropes, then tie the ropes to the truck or trailer to prevent the machine from inclining.

FOR SAFETY: A rope should be used to fix the machine to the sweep template during transportation.



PUSH, TOW AND TRANSPORT THE MACHINE

MACHINE STORAGE

For long time storage of the machine, follow the steps below:

1. Drain and clean the solution tank and recovery tank. Open the recovery tank for ventilation.
2. Park the machine at a cool, dry area, keep it away from rain, store it indoor.
3. Remove the battery set or charge it every three months (to full capacity).

FROST PROTECTION

FOR SAFETY: Stop the machine at a level surface and turn it off before leaving or servicing.

1. Empty the water in solution tank and recovery tank.
2. Add 2 gallons (8 L) propylene glycol / recreational vehicle (RV) anti-freezing agent to the solution tank without dilution.
3. Power the machine on, operate solution flow system. When anti-freezing agent flows to scrub head, power the machine off.

TROUBLESHOOTING

Problem	Causes	Solutions
The machine does not work	Damaged switch	Replace the switch
	Flatten or damaged battery	Recharge or replace the battery
	Overload protection unactivated	Find the short circuit and activate the overload protection
Charge break	Disconnected power cable	Check the connections
	Bad connection	Connect correctly
	Charger breakage	View the error code
Engine break	The brush remains suspended or the button is damaged	Replace the switch
	Button is damaged	Replace the switch
	Overload protection unactivated	Find the short circuit and activate the overload protection
	Bad connection	Plug back the connections
	Motor damaged	Replace the motor
The machine does not move forward	Broken wheels	Replace the wheels
	Nut of the brush poorly adjusted	Adjust the nut of the brush
Breakage of vacuum engine	Damaged manual switch	Replace the switch
	Switch unplugged	Plug the switch
	Damaged engine	Replug the switch
Lack of cleaning solution	Tank full	Empty the tank
	Blocked tank filter	Clean the filter
	Damaged water valve	Replace the valve
	Damaged solenoid valve	Replace the solenoid valve

TROUBLESHOOTING

Inadequate suction	The hose of the tank is damaged	Unclog or replace the hose
	Unsealed cap	Seal the cap properly
	Clogged tank filter	Clean the tank filter
	Clogged drain	Clean the drain
	Squeegee blades worn	Rotate or replace blades
	Poorly fitted squeegee blades	Adjust height
	Damaged vacuum cleaner motor	Replace the motor
	Debris in the reject valve	Remove the debris
	Insufficient battery voltage	Recharge the batteries
Time of use too short	Insufficient battery voltage	Recharge the batteries
	Battery failure	Replace the batteries
	Batteries need maintenance	Refer to the « Battery » section
	Battery charger failure	Repair or replace the charger

SPECIFICATIONS

MACHINE DIMENSION AND CAPACITY

JVC65RBTN	
Length	1280 mm / 50"
Height	1020 mm / 40"
Width	710 mm / 28"
Width with squeegee	960 mm /38"
Brushes diameter	360 mm / 15"
Cleaning path	660 mm / 26"
Solution tank capacity	70 L
Recovery tank capacity	75 L
Weight without battery	146 kg
Weight with battery	232 kg

SOUND LEVEL	58 dB
--------------------	--------------

Type	Quantity	Voltage	Rated Current	Weight
Battery	2	12 V	120 Ah 3 hrs	43 Kg

Type	Usage	VDC	KW
		JVC65RBTN	JVC65RBTN
Electric Motor	Brush motor x 2	24	0.38
	Vacuum motor	24	0.45
	Traction motor	24	0.4

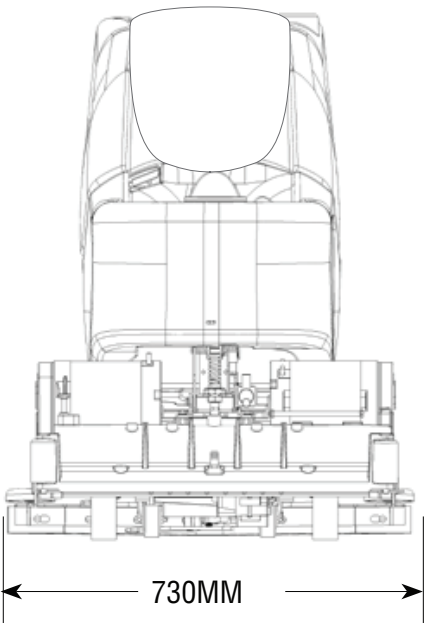
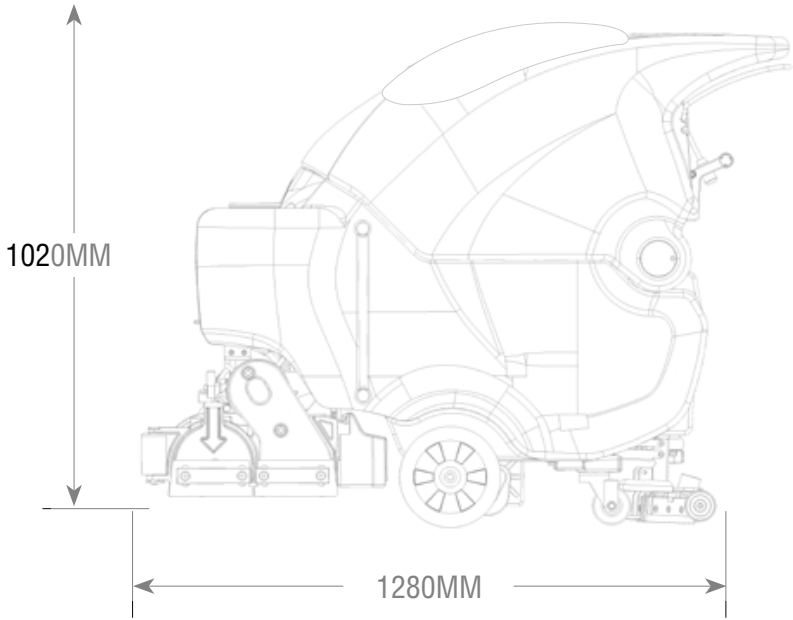
Type	VDC	A	Hz	VAC
Smart Charger	24	25	50	120

Caster

Position	Type	Dimension
Front wheel	Solid	135 mm x 80 mm
Rear wheel	Solid	270 mm x 80 mm

SPECIFICATIONS

MACHINE DIMENSION



***Residential and commercial
vacuum cleaner specialist***



FOR
PARTS, ACCESSORIES & VACUUM BAGS

VISIT OUR WEBSITE AT
WWW.JOHNNYVAC.COM

CONGRATULATIONS & THANK YOU
for having chosen one of our product.



ATTENTION

Do not return the unit to the retailer
before having spoken with us.

Our most precious wish is that
you really love your vacuum cleaner!

In case of problems, contact our experts at 1 800 361-2043
or by email at info@johnnyvac.com