

3M™ Water Filtration Products

SPEC# _____

QUANTITY _____

application: **MULTIPLE EQUIPMENT**

models:

HF165-CL

3M™ Water Filtration Products High Flow Series Model HF165-CL single cartridge water filtration system helps provide consistent high quality water for commercial foodservice applications by reducing the effects of particulates, chloramines, chlorine taste and odor at flow rates up to 2.1 gpm (7.9 lpm)



PRODUCT BENEFITS

- Cartridge media technology effectively reduces, particulates, chloramines, chlorine taste and odor for equipment protection and Recipe Quality Water™.
- NSF Standard 42 and/or FDA CFR-21 compliant materials.
- Sanitary Quick Change (SQC) encapsulated cartridge design allows for fast and easy cartridge change-outs with ¼ turn.
- NH3 head includes ½” FNPT horizontal inlet and outlet ports allow direct or easily adaptable connections to existing plumbing lines.

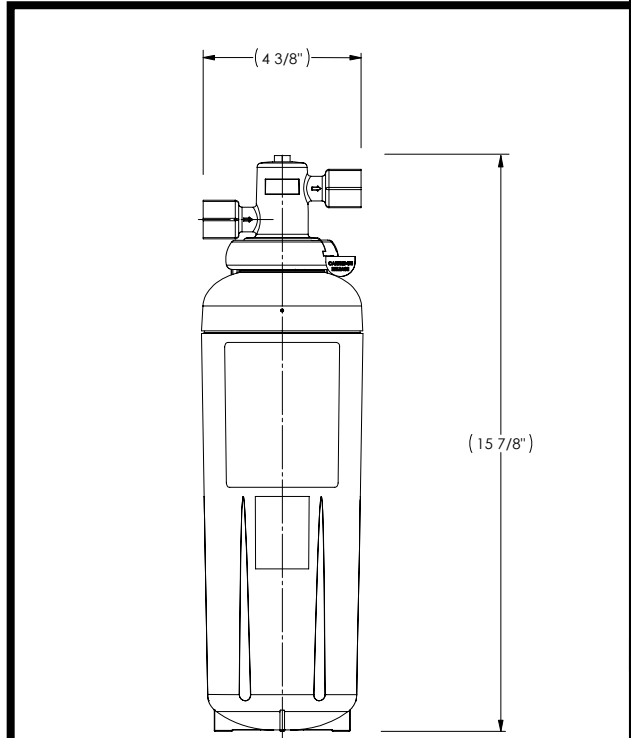
PRODUCT SPECIFICATIONS

Model Number	Part Number	Reduction Claims	Nominal Micron Rating	Capacity	Service Flow Rate	Replacement Cartridge
HF165-CL	56260-03	Particulates, Chloramines, Chlorine Taste and Odor	5	15,000 gallons @ 1 gpm (56,781 liters @ 3.8 lpm) 8,000 gallons @ 1.7 gpm (30,283 liters @ 6.4 lpm) 7,000 gallons @ 2.1 gpm (26,498 liters @ 7.9 lpm)	2.1 gpm (7.9 lpm)	HF65-CL (56289-02)



HF165-CL

SPEC# _____
 QUANTITY _____
 MODEL NUMBER _____
 PART NUMBER _____



⚠ WARNING: To reduce the risk associated with the ingestion of contaminants:

- Do not use with water that is microbiologically unsafe or of unknown quality without adequate disinfection before or after the system.

3M Purification Inc. recommends regularly scheduled maintenance and replacement of the filter cartridge(s) in order for the product to perform as advertised/sold. 3M Purification Inc. shall not be liable for system failures due to improper maintenance.

LIMITED WARRANTY

3M Purification Inc. warrants this Product will be free from defects in material and manufacture for five (5) years from the date of purchase: The filter cartridge or filter membrane is warranted to be free from defects in material and manufacture for one (1) year. This warranty does not cover failures resulting from abuse, misuse, alteration or damage not caused by 3M Purification Inc. or failure to follow installation and use instructions. No warranty is given as to the service life of any filter cartridge or membrane as it will vary with local water conditions and water consumption. **3M PURIFICATION INC. MAKES NO OTHER WARRANTIES OR CONDITIONS, EXPRESS OR IMPLIED, INCLUDING, BUT NOT LIMITED TO, ANY IMPLIED WARRANTY OR CONDITION OF MERCHANTABILITY OR FITNESS FOR A PARTICULAR PURPOSE OR ANY IMPLIED WARRANTY OR CONDITION ARISING OUT OF A COURSE OF DEALING, CUSTOMER OR USAGE OF TRADE.** If the Product fails to satisfy this Limited Warranty during the warranty period, 3M Purification Inc. will replace the Product or refund your Product purchase price. This warranty does not cover labor. **The remedy stated in this paragraph is Customer's sole remedy and 3M Purification Inc.'s exclusive obligation. For additional information, see the entire Limited Warranty located in the product Installation and Operating Instruction Manual.**

Limitation of Liability. 3M Purification Inc. will not be liable for any loss or damage arising from this 3M Purification Inc. product, whether direct, indirect, special, incidental, or consequential, regardless of the legal theory asserted, including warranty, contract, negligence or strict liability. Some states and countries do not allow the exclusion or limitation of incidental or consequential damages, so the above limitation or exclusion may not apply to you.

3M™ Water Filtration Products

APPLICATION GUIDE

Post Mix	
Single Carbonator Dispensers	12 Oz. Cups 112,000* 16 Oz. Cups 74,666* (*Assumes 4 oz. volume of ice)
Juice Machines	
Single and Multi-Dispenser, Push Button and Portion-Control Juice Machines	6 Oz. Cups: 149,332 12 Oz. Cups: 74,666
Ice Tea Brewers (Low Incoming Water Hardness)	
3, 3.5, and 4 Gallon Tea and Iced Tea Brewers	3 Gal. Dispensers: 2,332 3.5 Gal. Dispensers: 1,998 4 Gal. Dispensers: 1,750 5 Gal. Dispensers: 1,400 12 Oz. Cups: 74,666
Ice Tea Brewers (Low Incoming Water Hardness)	
1, 2, 3 Warmer Brewers, Liquid Coffee, Airpot Brewers and 3 Gallon Urns	1/2 Gal. Pots: 14,000 3 Gal. Urns: 2,332 12 Oz. Cups: 198,581 2.5 Liter Airpots: 10,605

IMPORTANT: INSTALLATION TIPS

These installation tips are for informational purposes only and are not intended to be used as actual installation instructions. **CAUTION: To reduce the risk associated with property damage due to water leakage:**

- **Read and follow** Use Instructions before installation and use of this system.
- Installation and use **MUST** comply with all state and local plumbing codes.
- **Protect from freezing**, remove filter cartridge when temperatures are expected to drop below 40°F (4.4°C).
- **Do not install on hot water supply lines.** The maximum operating water temperature of this filter system is 100°F (37.8°C).
- **Do not install** if water pressure exceeds 125 psi (862 kPa). If your water pressure exceeds 80 psi (552 kPa), you must install a pressure limiting valve. Contact a plumbing professional if you are uncertain how to check your water pressure.
- **Do not install** where water hammer conditions may occur. If water hammer conditions exist you must install a water hammer arrester. Contact a plumbing professional if you are uncertain how to check for this condition.
- The disposable filter cartridge **MUST** be replaced every 12 months, at the rated capacity or sooner if a noticeable reduction in flow rate occurs.



3M Purification Inc.
 400 Research Parkway
 Meriden, CT 06450 U.S.A.
 Toll Free: 1-866-990-9785
 Worldwide: 203-237-5541
 Fax: 203-238-8701
 www.3mpurification.com
 www.3mfoodservice.com

3M is a trademark of 3M Company.
 NSF is a trademark of NSF International.
 Recipe Quality Water is a trademark
 of 3M Company used under license.
 © 2013 3M Company. All rights reserved.
 70020308436 REV 0613



Visit www.nsf.org for
 the claims associated
 with products that
 are NSF listed.



Regulatory Data Sheet

Copyright, 2022, 3M Purification Inc.

All rights reserved. Copying and/or downloading of this information for the purpose of properly utilizing 3M Purification Inc. products is allowed provided that: (1) the information is copied in full with no changes unless prior written agreement is obtained from 3M Purification Inc., and (2) neither the copy nor the original is resold or otherwise distributed with the intention of earning a profit thereon.

This Regulatory Data Sheet is provided as a courtesy in response to a customer request.

Document Group:	39-5129-0	Version Number:	5.00
Issue Date:	01/21/22	Supersedes Date:	07/15/21

HF65-CL, HF95-CL

Product Identification Numbers

5627302, 5627302K, 5628902, 5628902K, 5628902P, 41-7600-0240-6, 41-7600-0576-3, 41-7600-0785-0, 70-0202-8379-5, 70-0203-0043-3
7100074072, 7100162611, 7000125912, 4100028427

3M Purification Inc.
Separation and Purification Sciences Div
400 Research Parkway, Meriden, CT 06450-1018, USA
1-888-3M HELPS (1-888-364-3577)

RDSs are available at www.3M.com

Regulations and Industry Standards

SDS (US OSHA)

This product is an article and therefore is not subject to the requirements of the US Occupational Safety and Health Administration's (OSHA) Hazardous Communications Standard 29 CFR 1910.1200(b)(6)(v) to provide a Safety Data Sheet (SDS).

California Proposition 65

To the best of the manufacturer's knowledge, this product is in compliance with Proposition 65, and reasonably anticipated use of this product will not result in exposure to any Proposition 65 chemicals that would require a Proposition 65 warning.

China RoHS

This product does not meet the definition of Electrical and Electronic Products (EEP) as per Article (3) of MIIT Order 32, Administrative Measures on the Restriction of the Use of Certain Hazardous Substances in Electrical and Electronic Products (China RoHS 2), or it is an excluded EEP product category as defined in the MIIT FAQ of China RoHS 2, #11.

China RoHS

This product or part does not exceed the maximum concentration values (MCVs) in China RoHS GB/T 26572-2011 (Requirements of Concentration limits for certain restricted substances in electrical and electronic products), which means that each of the homogeneous materials within this product is below the following MCVs: (a) 0.1% (by weight) for lead and its compounds, mercury and its compounds, hexavalent chromium and its compounds, polybrominated biphenyls or polybrominated diphenyl ethers; and (b) 0.01% (by weight) for cadmium and its compounds.

EU REACH

Substances listed in Annex XVII of Regulation No 1907/2006 of the European Parliament and the Council concerning the

Registration, Evaluation, Authorization and Restriction of Chemicals (REACH) are not intentionally added to this product.

EU REACH

This product, including any article that the product is composed of, does not contain at greater than 0.1% by weight a Substance of Very High Concern (SVHC) substance identified according to Article 59 of REACH. This declaration reflects the substances on the candidate SVHC list, effective January 2022.

EU RoHS

This product does not exceed the maximum concentration values (MCVs) set under EU Directive 2011/65/EU (RoHS recast/RoHS 2), as stated in Annex II to that directive. This means that each of the homogenous materials within this product does not exceed the following MCVs: (a) 0.1% (by weight) for lead, mercury, hexavalent chromium, polybrominated biphenyls or polybrominated diphenyl ethers; and (b) 0.01% (by weight) for cadmium.

EU RoHS Phthalates

This product does not exceed the maximum concentration values (MCVs) for phthalates set under EU Directive 2011/65/EU (RoHS recast/RoHS 2), as amended by EU 2015/863, which applies to finished EEE after July 22, 2019 for Category 1-7, 10-11 products and after July 22, 2021 for Category 8 and 9 products. This means that each of the homogeneous materials within this product does not exceed the MCV of 0.1% (by weight) for each of the following phthalates: DEHP, BBP, DBP, and DIBP.

Stockholm Agreement

This product does not contain Persistent Organic Pollutants (POPs) at or above applicable thresholds per Annexes A, B, and C of the Stockholm Convention, May 2004 and subsequent amendments.

TSCA 8(a) Nanomaterial Reporting

This product does not contain nanoparticles subject to reporting under TSCA Section 8(a). Under the "Chemical Substances When Manufactured or Processed as Nanoscale Materials: TSCA Reporting and Recordkeeping Requirements" rule, a reportable nanoparticle is defined as having at least one dimension in the size range of 1 – 100 nm and is manufactured or processed to exhibit unique and novel properties because of its size.

Disclaimers: The information provided in this document related to material content represents the Manufacturer's knowledge and belief, which may be based in whole or in part on information provided by suppliers to the Manufacturer. This is intended to answer commonly asked questions about the Manufacturer's products and is not intended to be a comprehensive listing of all substances that may be of interest or that may be regulated in this or other products of the Manufacturer, nor is it intended to be a comprehensive summary of any and all regulations that may apply to this product. Where substances are listed, their listing does not infer or constitute a judgment as to their safety, environmental or health impacts. Information is supplied upon the condition that the persons receiving the same will make their own determination as to its suitability for their purposes prior to use. Customers are encouraged to consult with legal and regulatory experts to determine applicable regulations in light of intended use of the product.

Limitation of Remedies and Liability: In the event any Product is proven not to conform with the information in this document, then to the extent permitted by law, the Manufacturer's entire liability and Buyer's exclusive remedy, will be at the Manufacturer's option either: (i) replacement of Product with a conforming product, or (ii) refund of the purchase price paid by Buyer for each non-conforming Product, within a reasonable time after written notification of said non-conformance and return of said Product to the Manufacturer. The Manufacturer shall not under any circumstances be liable for direct, incidental, special, or consequential damages (including but not limited to loss of profits, revenue, or business) related to or arising out of this certification, including, the use, misuse or inability to use the Product. Unless stated otherwise in writing, the foregoing language cannot be waived, modified, or supplemented in any manner whatsoever.