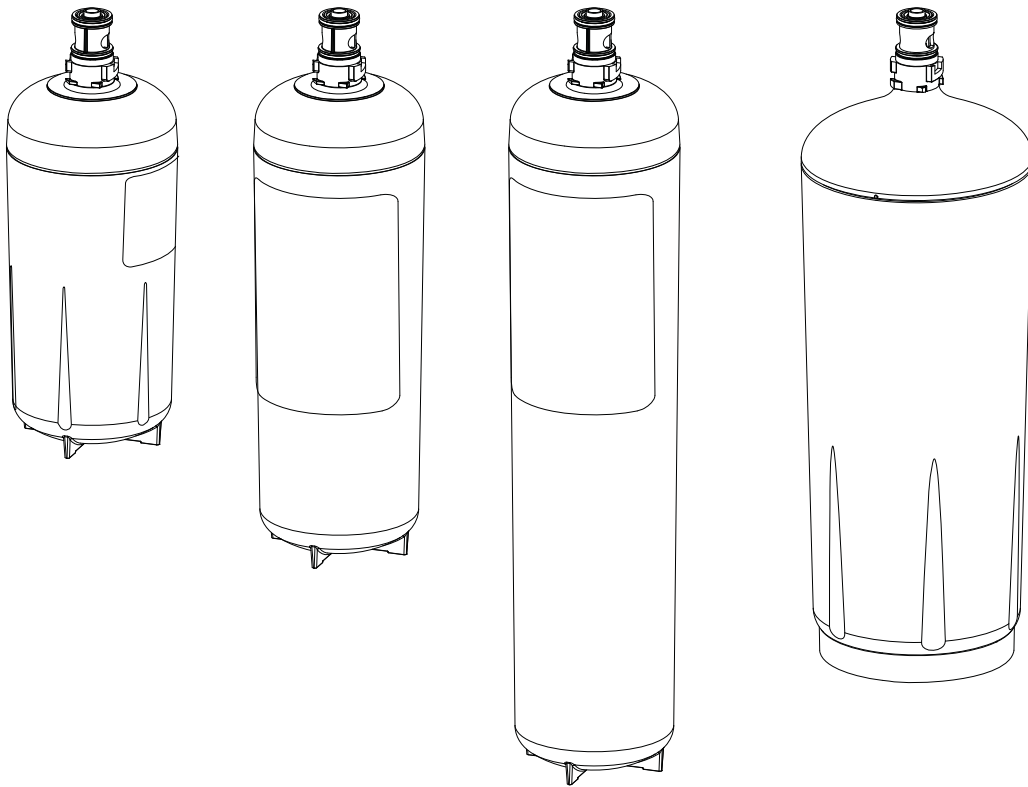


3M™ Water Filtration Products

Cartridge Change-Out Instructions

for 3M™ ScaleGard™ Blend Series of Products



For ALL 3M™ ScaleGard™ Blend (SGB) Series of Products

B145-CLS, B145H-CLS, B165-CLS, B165H-CLS, B195-CLS, B195H-CLS, B1175H-S,
B1175-S, ES145-CLS, ES165-CLS

Note: Installer - Please leave with owner/operator



⚠ WARNING:

Read entire manual: Failure to follow all guides and rules could cause personal injury or property damage.

- Check with your local public works department for plumbing codes. You must follow their guidelines as you install the Water Filtration system.
- Your Water Filtration system will withstand up to 125 pounds per square inch (psi) (862 kPa; 8,62 bar) water pressure. (100 psi (689 kPa; 6,89 bar) for B1175H-S & B1175-S only). If your water supply pressure is higher than 80 psi (552 kPa; 5,52 bar), install a pressure reducing valve before installing the Water Filtration system.

To reduce the risk associated with choking:

- **Do not** allow children under 3 years of age to have access to small parts during the installation of this product.

To reduce the risk associated with the ingestion of contaminants:

- **Do not** use with water that is microbiologically unsafe or of unknown quality without adequate disinfection before or after the system.

NOTICE:

To reduce the risk associated with property damage due to water leakage or flooding:

- **Read and follow** Use Instructions before installation and use of this system.
- Change the disposable filter cartridge at the recommended interval; the disposable filter cartridge **MUST** be replaced every 12 months or sooner.
- Failure to replace the disposable filter cartridge at recommended intervals may lead to reduced filter performance and failure of the filter, causing property damage from water leakage or flooding.
- **Protect from freezing**, remove filter cartridge when temperatures are expected to drop below 40° F (4.4° C).
- **Do not** install systems in areas where ambient temperatures may go above 100° F (38° C).
- **Do not** install on hot water supply lines. The maximum operating water temperature of this system is 100°F (38°C).
- **Do not** install if water pressure exceeds 125 psi (862 kPa; 8,62 bar). (100 psi (689 kPa; 6,89 bar) for B1175H-S & B1175-S only). If your water pressure exceeds 80 psi (552 kPa; 5,52 bar), you must install a pressure limiting valve. Contact a plumbing professional if you are uncertain how to check your water pressure.

CARTRIDGE CHANGE INSTRUCTIONS

STEP 1

Turn cartridge slowly to the left, about 1/4 turn, until it stops (when arrows line up). At this position, both inlet and outlet ports are closed & water pressure has been relieved. Inlet water will automatically turn off.

STEP 2

Pull used cartridge straight down & discard.

Note: There may be a small amount of residual water drainage after pressure is relieved and during cartridge removal.

STEP 3

Remove sanitary cap from top of new cartridge. Moisten o-ring with water and push new cartridge into filter head. Turn cartridge 1/4 turn to the right until it stops. Top surface of cartridge will become flush with bottom of the head when fully engaged. The label should be facing forward.

STEP 4

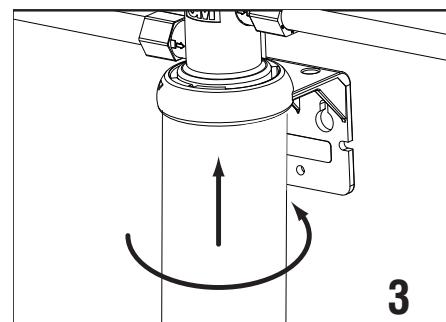
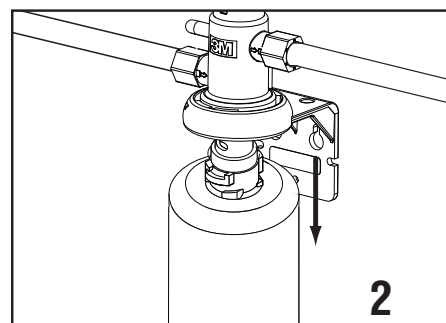
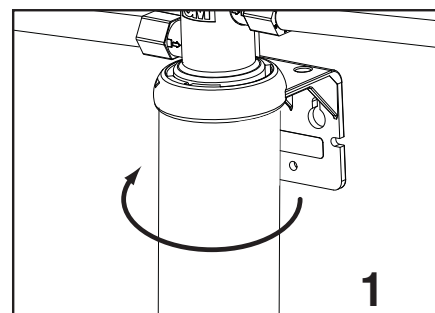
Inlet water will automatically turn on. Flush new filter cartridge in accordance with Performance Data Sheet expelling any trapped air and carbon fines. Water may run cloudy with air but will quickly clear. System is now ready for use.

STEP 5

Complete water hardness test as per water hardness test kit instructions provided with new cartridge. The water sample used for completing the water hardness test should be taken upstream before the location of the new 3M™ ScaleGard™ Blend product. If your site is a new build, the water sample used for completing the water hardness test should be taken at a nearby existing site.

STEP 6

Based on water hardness test results (Step 5), set blend setting in head as per the food service application tables (see pages 3 - 11).



Cartridge Settings & Capacities

Vending

Inlet Water Hardness					Vending Application [Capacity in Gallons (Litres)]								Bypass Setting
ppm (mg/L)	gpg	English Degree (Clarke or E)	German Degree (DH or KH)	French Degree (FH)	B145-CLS/ ES145-CLS	B165-CLS/ ES165-CLS	B195-CLS	B1175-S	B145H-CLS	B165H-CLS	B195H-CLS	B1175H-S	
100	6	7	6	10	1,234 (4,671)	1,745 (6,606)	2,909 (11,010)	4,882 (18,480)	1,728 (6,539)	2,443 (9,249)	4,072 (15,414)	6,835 (25,872)	6
120	7	8	7	12	1,028 (3,893)	1,454 (5,505)	2,424 (9,175)	4,069 (15,400)	1,440 (5,450)	2,036 (7,707)	3,394 (12,845)	5,696 (21,560)	6
140	8	10	8	14	787 (2,977)	1,112 (4,210)	1,854 (7,017)	3,057 (11,571)	1,101 (4,168)	1,557 (5,894)	2,596 (9,824)	4,280 (16,199)	5
160	9	11	9	16	596 (2,255)	842 (3,189)	1,404 (5,315)	2,229 (8,437)	834 (3,157)	1,179 (4,465)	1,966 (7,441)	3,120 (11,812)	4
180	11	13	10	18	530 (2,004)	749 (2,835)	1,248 (4,725)	1,981 (7,500)	741 (2,806)	1,048 (3,969)	1,747 (6,615)	2,774 (10,499)	4
200	12	14	11	20	408 (1,546)	578 (2,187)	963 (3,645)	1,528 (5,785)	572 (2,165)	809 (3,062)	1,348 (5,103)	2,140 (8,100)	3
220	13	15	12	22	371 (1,406)	525 (1,988)	875 (3,313)	1,389 (5,259)	520 (1,968)	735 (2,783)	1,225 (4,639)	1,945 (7,363)	3
240	14	17	13	24	340 (1,289)	481 (1,822)	802 (3,037)	1,274 (4,821)	477 (1,804)	674 (2,551)	1,123 (4,252)	1,783 (6,750)	3
260	15	18	15	26	275 (1,041)	389 (1,472)	648 (2,453)	1,029 (3,894)	385 (1,457)	544 (2,061)	907 (3,435)	1,440 (5,452)	2
280	16	20	16	28	255 (966)	361 (1,367)	602 (2,278)	955 (3,616)	357 (1,353)	505 (1,914)	842 (3,189)	1,337 (5,062)	2
300	18	21	17	30	238 (902)	337 (1,276)	562 (2,126)	892 (3,375)	334 (1,263)	472 (1,786)	786 (2,977)	1,248 (4,725)	2
320	19	22	18	32	223 (846)	316 (1,196)	527 (1,993)	836 (3,164)	313 (1,184)	442 (1,674)	737 (2,791)	1,170 (4,429)	2
340	20	24	19	34	210 (796)	297 (1,126)	496 (1,876)	787 (2,978)	294 (1,114)	416 (1,576)	694 (2,626)	1,101 (4,169)	2
360	21	25	20	36	199 (752)	281 (1,063)	468 (1,772)	743 (2,812)	278 (1,052)	393 (1,488)	655 (2,480)	1,040 (3,937)	2
380	22	27	21	38	188 (712)	266 (1,007)	443 (1,679)	704 (2,664)	263 (997)	372 (1,410)	621 (2,350)	985 (3,730)	2
400	23	28	22	40	159 (601)	225 (850)	374 (1,417)	594 (2,250)	222 (842)	315 (1,191)	524 (1,984)	832 (3,150)	1
440	26	31	25	44	144 (547)	204 (773)	340 (1,289)	540 (2,045)	202 (765)	286 (1,082)	477 (1,804)	756 (2,863)	1
480	28	34	27	48	132 (501)	187 (709)	312 (1,181)	495 (1,875)	185 (702)	262 (992)	437 (1,654)	693 (2,625)	1
520	30	36	29	52	122 (463)	173 (654)	288 (1,090)	457 (1,731)	171 (648)	242 (916)	403 (1,526)	640 (2,423)	1
560	33	39	31	56	113 (430)	160 (607)	267 (1,012)	425 (1,607)	159 (601)	225 (850)	374 (1,417)	594 (2,250)	1
600	35	42	34	60	106 (401)	150 (567)	250 (945)	396 (1,500)	148 (561)	210 (794)	349 (1,323)	555 (2,100)	1
640	37	45	36	64	99 (376)	140 (532)	234 (886)	371 (1,406)	139 (526)	197 (744)	328 (1,240)	520 (1,969)	1
680	40	48	38	68	93 (354)	132 (500)	220 (834)	350 (1,323)	131 (495)	185 (700)	308 (1,167)	489 (1,853)	1

The stated capacities are intended as guidelines. The capacities may vary according to dispensed volume and machine type.

Cartridge Settings & Capacities

Drip Coffee

Inlet Water Hardness					Drip Coffee Application [Capacity in Gallons (Litres)]								Bypass Setting
ppm (mg/L)	gpg	English Degree (Clarke or E)	German Degree (DH or KH)	French Degree (FH)	B145-CLS/ ES145-CLS	B165-CLS/ ES165-CLS	B195-CLS	B1175-S	B145H-CLS	B165H-CLS	B195H-CLS	B1175H-S	
100	6	7	6	10	1,234 (4,671)	1,745 (6,606)	2,909 (11,010)	4,882 (18,480)	1,728 (6,539)	2,443 (9,249)	4,072 (15,414)	6,835 (25,872)	6
120	7	8	7	12	1,028 (3,893)	1,454 (5,505)	2,424 (9,175)	4,069 (15,400)	1,440 (5,450)	2,036 (7,707)	3,394 (12,845)	5,696 (21,560)	6
140	8	10	8	14	787 (2,977)	1,112 (4,210)	1,854 (7,017)	3,057 (11,571)	1,101 (4,168)	1,557 (5,894)	2,596 (9,824)	4,280 (16,199)	5
160	9	11	9	16	596 (2,255)	842 (3,189)	1,404 (5,315)	2,229 (8,437)	834 (3,157)	1,179 (4,465)	1,966 (7,441)	3,120 (11,812)	4
180	11	13	10	18	530 (2,004)	749 (2,835)	1,248 (4,725)	1,981 (7,500)	741 (2,806)	1,048 (3,969)	1,747 (6,615)	2,774 (10,499)	4
200	12	14	11	20	408 (1,546)	578 (2,187)	963 (3,645)	1,528 (5,785)	572 (2,165)	809 (3,062)	1,348 (5,103)	2,140 (8,100)	3
220	13	15	12	22	371 (1,406)	525 (1,988)	875 (3,313)	1,389 (5,259)	520 (1,968)	735 (2,783)	1,225 (4,639)	1,945 (7,363)	3
240	14	17	13	24	340 (1,289)	481 (1,822)	802 (3,037)	1,274 (4,821)	477 (1,804)	674 (2,551)	1,123 (4,252)	1,783 (6,750)	3
260	15	18	15	26	275 (1,041)	389 (1,472)	648 (2,453)	1,029 (3,894)	385 (1,457)	544 (2,061)	907 (3,435)	1,440 (5,452)	2
280	16	20	16	28	255 (966)	361 (1,367)	602 (2,278)	955 (3,616)	357 (1,353)	505 (1,914)	842 (3,189)	1,337 (5,062)	2
300	18	21	17	30	238 (902)	337 (1,276)	562 (2,126)	892 (3,375)	334 (1,263)	472 (1,786)	786 (2,977)	1,248 (4,725)	2
320	19	22	18	32	223 (846)	316 (1,196)	527 (1,993)	836 (3,164)	313 (1,184)	442 (1,674)	737 (2,791)	1,170 (4,429)	2
340	20	24	19	34	210 (796)	297 (1,126)	496 (1,876)	787 (2,978)	294 (1,114)	416 (1,576)	694 (2,626)	1,101 (4,169)	2
360	21	25	20	36	199 (752)	281 (1,063)	468 (1,772)	743 (2,812)	278 (1,052)	393 (1,488)	655 (2,480)	1,040 (3,937)	2
380	22	27	21	38	188 (712)	266 (1,007)	443 (1,679)	704 (2,664)	263 (997)	372 (1,410)	621 (2,350)	985 (3,730)	2
400	23	28	22	40	159 (601)	225 (850)	374 (1,417)	594 (2,250)	222 (842)	315 (1,191)	524 (1,984)	832 (3,150)	1
440	26	31	25	44	144 (547)	204 (773)	340 (1,289)	540 (2,045)	202 (765)	286 (1,082)	477 (1,804)	756 (2,863)	1
480	28	34	27	48	132 (501)	187 (709)	312 (1,181)	495 (1,875)	185 (702)	262 (992)	437 (1,654)	693 (2,625)	1
520	30	36	29	52	122 (463)	173 (654)	288 (1,090)	457 (1,731)	171 (648)	242 (916)	403 (1,526)	640 (2,423)	1
560	33	39	31	56	113 (430)	160 (607)	267 (1,012)	425 (1,607)	159 (601)	225 (850)	374 (1,417)	594 (2,250)	1
600	35	42	34	60	106 (401)	150 (567)	250 (945)	396 (1,500)	148 (561)	210 (794)	349 (1,323)	555 (2,100)	1
640	37	45	36	64	99 (376)	140 (532)	234 (886)	371 (1,406)	139 (526)	197 (744)	328 (1,240)	520 (1,969)	1
680	40	48	38	68	93 (354)	132 (500)	220 (834)	350 (1,323)	131 (495)	185 (700)	308 (1,167)	489 (1,853)	1

The stated capacities are intended as guidelines. The capacities may vary according to dispensed volume and machine type.

Cartridge Settings & Capacities

Tea

Inlet Water Hardness					Tea Application [Capacity in Gallons (Litres)]								Bypass Setting
ppm (mg/L)	gpg	English Degree (Clarke or E)	German Degree (DH or KH)	French Degree (FH)	B145-CLS/ ES145-CLS	B165-CLS/ ES165-CLS	B195-CLS	B1175-S	B145H-CLS	B165H-CLS	B195H-CLS	B1175H-S	
100	6	7	6	10	1,234 (4,671)	1,745 (6,606)	2,909 (11,010)	4,882 (18,480)	1,728 (6,539)	2,443 (9,249)	4,072 (15,414)	6,835 (25,872)	6
120	7	8	7	12	1,028 (3,893)	1,454 (5,505)	2,424 (9,175)	4,069 (15,400)	1,440 (5,450)	2,036 (7,707)	3,394 (12,845)	5,696 (21,560)	6
140	8	10	8	14	787 (2,977)	1,112 (4,210)	1,854 (7,017)	3,057 (11,571)	1,101 (4,168)	1,557 (5,894)	2,596 (9,824)	4,280 (16,199)	5
160	9	11	9	16	596 (2,255)	842 (3,189)	1,404 (5,315)	2,229 (8,437)	834 (3,157)	1,179 (4,465)	1,966 (7,441)	3,120 (11,812)	4
180	11	13	10	18	530 (2,004)	749 (2,835)	1,248 (4,725)	1,981 (7,500)	741 (2,806)	1,048 (3,969)	1,747 (6,615)	2,774 (10,499)	4
200	12	14	11	20	408 (1,546)	578 (2,187)	963 (3,645)	1,528 (5,785)	572 (2,165)	809 (3,062)	1,348 (5,103)	2,140 (8,100)	3
220	13	15	12	22	371 (1,406)	525 (1,988)	875 (3,313)	1,389 (5,259)	520 (1,968)	735 (2,783)	1,225 (4,639)	1,945 (7,363)	3
240	14	17	13	24	340 (1,289)	481 (1,822)	802 (3,037)	1,274 (4,821)	477 (1,804)	674 (2,551)	1,123 (4,252)	1,783 (6,750)	3
260	15	18	15	26	275 (1,041)	389 (1,472)	648 (2,453)	1,029 (3,894)	385 (1,457)	544 (2,061)	907 (3,435)	1,440 (5,452)	2
280	16	20	16	28	255 (966)	361 (1,367)	602 (2,278)	955 (3,616)	357 (1,353)	505 (1,914)	842 (3,189)	1,337 (5,062)	2
300	18	21	17	30	238 (902)	337 (1,276)	562 (2,126)	892 (3,375)	334 (1,263)	472 (1,786)	786 (2,977)	1,248 (4,725)	2
320	19	22	18	32	223 (846)	316 (1,196)	527 (1,993)	836 (3,164)	313 (1,184)	442 (1,674)	737 (2,791)	1,170 (4,429)	2
340	20	24	19	34	210 (796)	297 (1,126)	496 (1,876)	787 (2,978)	294 (1,114)	416 (1,576)	694 (2,626)	1,101 (4,169)	2
360	21	25	20	36	199 (752)	281 (1,063)	468 (1,772)	743 (2,812)	278 (1,052)	393 (1,488)	655 (2,480)	1,040 (3,937)	2
380	22	27	21	38	188 (712)	266 (1,007)	443 (1,679)	704 (2,664)	263 (997)	372 (1,410)	621 (2,350)	985 (3,730)	2
400	23	28	22	40	159 (601)	225 (850)	374 (1,417)	594 (2,250)	222 (842)	315 (1,191)	524 (1,984)	832 (3,150)	1
440	26	31	25	44	144 (547)	204 (773)	340 (1,289)	540 (2,045)	202 (765)	286 (1,082)	477 (1,804)	756 (2,863)	1
480	28	34	27	48	132 (501)	187 (709)	312 (1,181)	495 (1,875)	185 (702)	262 (992)	437 (1,654)	693 (2,625)	1
520	30	36	29	52	122 (463)	173 (654)	288 (1,090)	457 (1,731)	171 (648)	242 (916)	403 (1,526)	640 (2,423)	1
560	33	39	31	56	113 (430)	160 (607)	267 (1,012)	425 (1,607)	159 (601)	225 (850)	374 (1,417)	594 (2,250)	1
600	35	42	34	60	106 (401)	150 (567)	250 (945)	396 (1,500)	148 (561)	210 (794)	349 (1,323)	555 (2,100)	1
640	37	45	36	64	99 (376)	140 (532)	234 (886)	371 (1,406)	139 (526)	197 (744)	328 (1,240)	520 (1,969)	1
680	40	48	38	68	93 (354)	132 (500)	220 (834)	350 (1,323)	131 (495)	185 (700)	308 (1,167)	489 (1,853)	1

The stated capacities are intended as guidelines. The capacities may vary according to dispensed volume and machine type.

Cartridge Settings & Capacities

Espresso

Inlet Water Hardness					Espresso Application [Capacity in Gallons (Litres)]								Bypass Setting
ppm (mg/L)	gpg	English Degree (Clarke or E)	German Degree (DH or KH)	French Degree (FH)	B145-CLS/ ES145-CLS	B165-CLS/ ES165-CLS	B195-CLS	B1175-S	B145H-CLS	B165H-CLS	B195H-CLS	B1175H-S	
100	6	7	6	10	1,234 (4,671)	1,745 (6,606)	2,909 (11,010)	4,882 (18,480)	1,728 (6,539)	2,443 (9,249)	4,072 (15,414)	6,835 (25,872)	6
120	7	8	7	12	918 (3,473)	1,298 (4,912)	2,163 (8,187)	3,567 (13,499)	1,285 (4,862)	1,817 (6,877)	3,028 (11,461)	4,993 (18,899)	5
140	8	10	8	14	681 (2,577)	963 (3,645)	1,605 (6,075)	2,547 (9,642)	953 (3,608)	1,348 (5,103)	2,247 (8,504)	3,566 (13,499)	4
160	9	11	9	16	596 (2,255)	842 (3,189)	1,404 (5,315)	2,229 (8,437)	834 (3,157)	1,179 (4,465)	1,966 (7,441)	3,120 (11,812)	4
180	11	13	10	18	454 (1,718)	642 (2,430)	1,070 (4,050)	1,698 (6,428)	635 (2,405)	899 (3,402)	1,498 (5,670)	2,377 (9,000)	3
200	12	14	11	20	408 (1,546)	578 (2,187)	963 (3,645)	1,528 (5,785)	572 (2,165)	809 (3,062)	1,348 (5,103)	2,140 (8,100)	3
220	13	15	12	22	325 (1,230)	460 (1,740)	766 (2,899)	1,216 (4,602)	455 (1,722)	643 (2,435)	1,072 (4,059)	1,702 (6,443)	2
240	14	17	13	24	298 (1,127)	421 (1,595)	702 (2,658)	1,114 (4,219)	417 (1,578)	590 (2,232)	983 (3,721)	1,560 (5,906)	2
260	15	18	15	26	275 (1,041)	389 (1,472)	648 (2,453)	1,029 (3,894)	385 (1,457)	544 (2,061)	907 (3,435)	1,440 (5,452)	2
280	16	20	16	28	255 (966)	361 (1,367)	602 (2,278)	955 (3,616)	357 (1,353)	505 (1,914)	842 (3,189)	1,337 (5,062)	2
300	18	21	17	30	238 (902)	337 (1,276)	562 (2,126)	892 (3,375)	334 (1,263)	472 (1,786)	786 (2,977)	1,248 (4,725)	2
320	19	22	18	32	223 (846)	316 (1,196)	527 (1,993)	836 (3,164)	313 (1,184)	442 (1,674)	737 (2,791)	1,170 (4,429)	2
340	20	24	19	34	187 (707)	264 (1,001)	441 (1,668)	699 (2,647)	262 (990)	370 (1,401)	617 (2,335)	979 (3,706)	1
360	21	25	20	36	177 (668)	250 (945)	416 (1,575)	660 (2,500)	247 (935)	349 (1,323)	582 (2,205)	925 (3,500)	1
380	22	27	21	38	167 (633)	236 (895)	394 (1,492)	626 (2,368)	234 (886)	331 (1,253)	552 (2,089)	876 (3,316)	1
400	23	28	22	40	159 (601)	225 (850)	374 (1,417)	594 (2,250)	222 (842)	315 (1,191)	524 (1,984)	832 (3,150)	1
440	26	31	25	44	144 (547)	204 (773)	340 (1,289)	540 (2,045)	202 (765)	286 (1,082)	477 (1,804)	756 (2,863)	1
480	28	34	27	48	132 (501)	187 (709)	312 (1,181)	495 (1,875)	185 (702)	262 (992)	437 (1,654)	693 (2,625)	1
520	30	36	29	52	122 (463)	173 (654)	288 (1,090)	457 (1,731)	171 (648)	242 (916)	403 (1,526)	640 (2,423)	1
560	33	39	31	56	113 (430)	160 (607)	267 (1,012)	425 (1,607)	159 (601)	225 (850)	374 (1,417)	594 (2,250)	1
600	35	42	34	60	106 (401)	150 (567)	250 (945)	396 (1,500)	148 (561)	210 (794)	349 (1,323)	555 (2,100)	1
640	37	45	36	64	89 (338)	126 (478)	211 (797)	334 (1,266)	125 (474)	177 (670)	295 (1,116)	468 (1,772)	0
680	40	48	38	68	84 (318)	119 (450)	198 (750)	315 (1,191)	118 (446)	167 (630)	278 (1,051)	441 (1,668)	0

The stated capacities are intended as guidelines. The capacities may vary according to dispensed volume and machine type.

Cartridge Settings & Capacities

Boiler Combi-Oven

Inlet Water Hardness					Boiler Combi-Oven Application [Capacity in Gallons (Litres)]								Bypass Setting
ppm (mg/L)	gpg	English Degree (Clarke or E)	German Degree (DH or KH)	French Degree (FH)	B145-CLS/ ES145-CLS	B165-CLS/ ES165-CLS	B195-CLS	B1175-S	B145H-CLS	B165H-CLS	B195H-CLS	B1175H-S	
100	6	7	6	10	817 (3,093)	1,155 (4,374)	1,926 (7,290)	3,057 (11,571)	1,144 (4,330)	1,618 (6,123)	2,696 (10,205)	4,279 (16,199)	3
120	7	8	7	12	681 (2,577)	963 (3,645)	1,605 (6,075)	2,547 (9,642)	953 (3,608)	1,348 (5,103)	2,247 (8,504)	3,566 (13,499)	3
140	8	10	8	14	511 (1,933)	722 (2,734)	1,204 (4,556)	1,910 (7,232)	715 (2,706)	1,011 (3,827)	1,685 (6,378)	2,675 (10,125)	2
160	9	11	9	16	447 (1,691)	632 (2,392)	1,053 (3,986)	1,672 (6,328)	625 (2,368)	885 (3,349)	1,474 (5,581)	2,340 (8,859)	2
180	11	13	10	18	397 (1,503)	562 (2,126)	936 (3,544)	1,486 (5,625)	556 (2,105)	786 (2,977)	1,311 (4,961)	2,080 (7,875)	2
200	12	14	11	20	318 (1,203)	449 (1,701)	749 (2,835)	1,189 (4,500)	445 (1,684)	629 (2,381)	1,048 (3,969)	1,664 (6,300)	1
220	13	15	12	22	289 (1,093)	408 (1,546)	681 (2,577)	1,081 (4,091)	404 (1,531)	572 (2,165)	953 (3,608)	1,513 (5,727)	1
240	14	17	13	24	265 (1,002)	374 (1,417)	624 (2,362)	991 (3,750)	371 (1,403)	524 (1,984)	874 (3,307)	1,387 (5,250)	1
260	15	18	15	26	244 (925)	346 (1,308)	576 (2,181)	914 (3,461)	342 (1,295)	484 (1,832)	806 (3,053)	1,280 (4,846)	1
280	16	20	16	28	227 (859)	321 (1,215)	535 (2,025)	849 (3,214)	318 (1,203)	449 (1,701)	749 (2,835)	1,189 (4,500)	1
300	18	21	17	30	212 (802)	300 (1,134)	499 (1,890)	792 (3,000)	297 (1,122)	419 (1,588)	699 (2,646)	1,109 (4,200)	1
320	19	22	18	32	199 (752)	281 (1,063)	468 (1,772)	743 (2,812)	278 (1,052)	393 (1,488)	655 (2,480)	1,040 (3,937)	1
340	20	24	19	34	187 (707)	264 (1,001)	441 (1,668)	699 (2,647)	262 (990)	370 (1,401)	617 (2,335)	979 (3,706)	1
360	21	25	20	36	177 (668)	250 (945)	416 (1,575)	660 (2,500)	247 (935)	349 (1,323)	582 (2,205)	925 (3,500)	1
380	22	27	21	38	150 (570)	213 (806)	355 (1,343)	563 (2,131)	211 (798)	298 (1,128)	497 (1,880)	788 (2,984)	0
400	23	28	22	40	143 (541)	202 (765)	337 (1,276)	535 (2,025)	200 (758)	283 (1,072)	472 (1,786)	749 (2,835)	0
440	26	31	25	44	130 (492)	184 (696)	306 (1,160)	486 (1,841)	182 (689)	257 (974)	429 (1,624)	681 (2,577)	0
480	28	34	27	48	119 (451)	168 (638)	281 (1,063)	446 (1,687)	167 (631)	236 (893)	393 (1,488)	624 (2,362)	0
520	30	36	29	52	110 (416)	156 (589)	259 (981)	411 (1,558)	154 (583)	218 (824)	363 (1,374)	576 (2,181)	0
560	33	39	31	56	102 (387)	144 (547)	241 (911)	382 (1,446)	143 (541)	202 (765)	337 (1,276)	535 (2,025)	0
600	35	42	34	60	95 (361)	135 (510)	225 (850)	357 (1,350)	133 (505)	189 (714)	315 (1,191)	499 (1,890)	0
640	37	45	36	64	89 (338)	126 (478)	211 (797)	334 (1,266)	125 (474)	177 (670)	295 (1,116)	468 (1,772)	0
680	40	48	38	68	84 (318)	119 (450)	198 (750)	315 (1,191)	118 (446)	167 (630)	278 (1,051)	441 (1,668)	0

The stated capacities are intended as guidelines. The capacities may vary according to dispensed volume and machine type.

Cartridge Settings & Capacities

Boiler Steamer

Inlet Water Hardness					Boiler Steamer Application [Capacity in Gallons (Litres)]								Bypass Setting
ppm (mg/L)	gpg	English Degree (Clarke or E)	German Degree (DH or KH)	French Degree (FH)	B145-CLS/ ES145-CLS	B165-CLS/ ES165-CLS	B195-CLS	B1175-S	B145H-CLS	B165H-CLS	B195H-CLS	B1175H-S	
100	6	7	6	10	817 (3,093)	1,155 (4,374)	1,926 (7,290)	3,057 (11,571)	1,144 (4,330)	1,618 (6,123)	2,696 (10,205)	4,279 (16,199)	3
120	7	8	7	12	681 (2,577)	963 (3,645)	1,605 (6,075)	2,547 (9,642)	953 (3,608)	1,348 (5,103)	2,247 (8,504)	3,566 (13,499)	3
140	8	10	8	14	511 (1,933)	722 (2,734)	1,204 (4,556)	1,910 (7,232)	715 (2,706)	1,011 (3,827)	1,685 (6,378)	2,675 (10,125)	2
160	9	11	9	16	447 (1,691)	632 (2,392)	1,053 (3,986)	1,672 (6,328)	625 (2,368)	885 (3,349)	1,474 (5,581)	2,340 (8,859)	2
180	11	13	10	18	397 (1,503)	562 (2,126)	936 (3,544)	1,486 (5,625)	556 (2,105)	786 (2,977)	1,311 (4,961)	2,080 (7,875)	2
200	12	14	11	20	318 (1,203)	449 (1,701)	749 (2,835)	1,189 (4,500)	445 (1,684)	629 (2,381)	1,048 (3,969)	1,664 (6,300)	1
220	13	15	12	22	289 (1,093)	408 (1,546)	681 (2,577)	1,081 (4,091)	404 (1,531)	572 (2,165)	953 (3,608)	1,513 (5,727)	1
240	14	17	13	24	265 (1,002)	374 (1,417)	624 (2,362)	991 (3,750)	371 (1,403)	524 (1,984)	874 (3,307)	1,387 (5,250)	1
260	15	18	15	26	244 (925)	346 (1,308)	576 (2,181)	914 (3,461)	342 (1,295)	484 (1,832)	806 (3,053)	1,280 (4,846)	1
280	16	20	16	28	227 (859)	321 (1,215)	535 (2,025)	849 (3,214)	318 (1,203)	449 (1,701)	749 (2,835)	1,189 (4,500)	1
300	18	21	17	30	212 (802)	300 (1,134)	499 (1,890)	792 (3,000)	297 (1,122)	419 (1,588)	699 (2,646)	1,109 (4,200)	1
320	19	22	18	32	199 (752)	281 (1,063)	468 (1,772)	743 (2,812)	278 (1,052)	393 (1,488)	655 (2,480)	1,040 (3,937)	1
340	20	24	19	34	187 (707)	264 (1,001)	441 (1,668)	699 (2,647)	262 (990)	370 (1,401)	617 (2,335)	979 (3,706)	1
360	21	25	20	36	177 (668)	250 (945)	416 (1,575)	660 (2,500)	247 (935)	349 (1,323)	582 (2,205)	925 (3,500)	1
380	22	27	21	38	150 (570)	213 (806)	355 (1,343)	563 (2,131)	211 (798)	298 (1,128)	497 (1,880)	788 (2,984)	0
400	23	28	22	40	143 (541)	202 (765)	337 (1,276)	535 (2,025)	200 (758)	283 (1,072)	472 (1,786)	749 (2,835)	0
440	26	31	25	44	130 (492)	184 (696)	306 (1,160)	486 (1,841)	182 (689)	257 (974)	429 (1,624)	681 (2,577)	0
480	28	34	27	48	119 (451)	168 (638)	281 (1,063)	446 (1,687)	167 (631)	236 (893)	393 (1,488)	624 (2,362)	0
520	30	36	29	52	110 (416)	156 (589)	259 (981)	411 (1,558)	154 (583)	218 (824)	363 (1,374)	576 (2,181)	0
560	33	39	31	56	102 (387)	144 (547)	241 (911)	382 (1,446)	143 (541)	202 (765)	337 (1,276)	535 (2,025)	0
600	35	42	34	60	95 (361)	135 (510)	225 (850)	357 (1,350)	133 (505)	189 (714)	315 (1,191)	499 (1,890)	0
640	37	45	36	64	89 (338)	126 (478)	211 (797)	334 (1,266)	125 (474)	177 (670)	295 (1,116)	468 (1,772)	0
680	40	48	38	68	84 (318)	119 (450)	198 (750)	315 (1,191)	118 (446)	167 (630)	278 (1,051)	441 (1,668)	0

The stated capacities are intended as guidelines. The capacities may vary according to dispensed volume and machine type.

Cartridge Settings & Capacities

Boilerless Combi-Oven

Inlet Water Hardness					Boilerless Combi-Oven Application [Capacity in Gallons (Litres)]								Bypass Setting
ppm (mg/L)	gpg	English Degree (Clarke or E)	German Degree (DH or KH)	French Degree (FH)	B145-CLS/ ES145-CLS	B165-CLS/ ES165-CLS	B195-CLS	B1175-S	B145H-CLS	B165H-CLS	B195H-CLS	B1175H-S	
100	6	7	6	10	572 (2,165)	809 (3,062)	1,348 (5,103)	2,140 (8,100)	801 (3,031)	1,132 (4,286)	1,887 (7,144)	2,996 (11,339)	0
120	7	8	7	12	477 (1,804)	674 (2,551)	1,123 (4,252)	1,783 (6,750)	667 (2,526)	944 (3,572)	1,573 (5,953)	2,496 (9,450)	0
140	8	10	8	14	408 (1,546)	578 (2,187)	963 (3,645)	1,528 (5,785)	572 (2,165)	809 (3,062)	1,348 (5,103)	2,140 (8,100)	0
160	9	11	9	16	357 (1,353)	505 (1,914)	842 (3,189)	1,337 (5,062)	500 (1,894)	708 (2,679)	1,179 (4,465)	1,872 (7,087)	0
180	11	13	10	18	318 (1,203)	449 (1,701)	749 (2,835)	1,189 (4,500)	445 (1,684)	629 (2,381)	1,048 (3,969)	1,664 (6,300)	0
200	12	14	11	20	286 (1,082)	404 (1,531)	674 (2,551)	1,070 (4,050)	400 (1,515)	566 (2,143)	944 (3,572)	1,498 (5,670)	0
220	13	15	12	22	260 (984)	368 (1,392)	613 (2,319)	973 (3,682)	364 (1,378)	515 (1,948)	858 (3,247)	1,362 (5,154)	0
240	14	17	13	24	238 (902)	337 (1,276)	562 (2,126)	892 (3,375)	334 (1,263)	472 (1,786)	786 (2,977)	1,248 (4,725)	0
260	15	18	15	26	220 (833)	311 (1,178)	518 (1,963)	823 (3,115)	308 (1,166)	436 (1,649)	726 (2,748)	1,152 (4,361)	0
280	16	20	16	28	204 (773)	289 (1,093)	481 (1,822)	764 (2,893)	286 (1,082)	404 (1,531)	674 (2,551)	1,070 (4,050)	0
300	18	21	17	30	191 (722)	270 (1,021)	449 (1,701)	713 (2,700)	267 (1,010)	377 (1,429)	629 (2,381)	999 (3,780)	0
320	19	22	18	32	179 (676)	253 (957)	421 (1,595)	669 (2,531)	250 (947)	354 (1,339)	590 (2,232)	936 (3,544)	0
340	20	24	19	34	168 (637)	238 (900)	396 (1,501)	629 (2,382)	235 (891)	333 (1,261)	555 (2,101)	881 (3,335)	0
360	21	25	20	36	159 (601)	225 (850)	374 (1,417)	594 (2,250)	222 (842)	315 (1,191)	524 (1,984)	832 (3,150)	0
380	22	27	21	38	150 (570)	213 (806)	355 (1,343)	563 (2,131)	211 (798)	298 (1,128)	497 (1,880)	788 (2,984)	0
400	23	28	22	40	143 (541)	202 (765)	337 (1,276)	535 (2,025)	200 (758)	283 (1,072)	472 (1,786)	749 (2,835)	0
440	26	31	25	44	130 (492)	184 (696)	306 (1,160)	486 (1,841)	182 (689)	257 (974)	429 (1,624)	681 (2,577)	0
480	28	34	27	48	119 (451)	168 (638)	281 (1,063)	446 (1,687)	167 (631)	236 (893)	393 (1,488)	624 (2,362)	0
520	30	36	29	52	110 (416)	156 (589)	259 (981)	411 (1,558)	154 (583)	218 (824)	363 (1,374)	576 (2,181)	0
560	33	39	31	56	102 (387)	144 (547)	241 (911)	382 (1,446)	143 (541)	202 (765)	337 (1,276)	535 (2,025)	0
600	35	42	34	60	95 (361)	135 (510)	225 (850)	357 (1,350)	133 (505)	189 (714)	315 (1,191)	499 (1,890)	0
640	37	45	36	64	89 (338)	126 (478)	211 (797)	334 (1,266)	125 (474)	177 (670)	295 (1,116)	468 (1,772)	0
680	40	48	38	68	84 (318)	119 (450)	198 (750)	315 (1,191)	118 (446)	167 (630)	278 (1,051)	441 (1,668)	0

The stated capacities are intended as guidelines. The capacities may vary according to dispensed volume and machine type.

Cartridge Settings & Capacities

Boilerless Steamer

Inlet Water Hardness					Boilerless Steamer Application [Capacity in Gallons (Litres)]								Bypass Setting
ppm (mg/L)	gpg	English Degree (Clarke or E)	German Degree (DH or KH)	French Degree (FH)	B145-CLS/ ES145-CLS	B165-CLS/ ES165-CLS	B195-CLS	B1175-S	B145H-CLS	B165H-CLS	B195H-CLS	B1175H-S	
100	6	7	6	10	572 (2,165)	809 (3,062)	1,348 (5,103)	2,140 (8,100)	801 (3,031)	1,132 (4,286)	1,887 (7,144)	2,996 (11,339)	0
120	7	8	7	12	477 (1,804)	674 (2,551)	1,123 (4,252)	1,783 (6,750)	667 (2,526)	944 (3,572)	1,573 (5,953)	2,496 (9,450)	0
140	8	10	8	14	408 (1,546)	578 (2,187)	963 (3,645)	1,528 (5,785)	572 (2,165)	809 (3,062)	1,348 (5,103)	2,140 (8,100)	0
160	9	11	9	16	357 (1,353)	505 (1,914)	842 (3,189)	1,337 (5,062)	500 (1,894)	708 (2,679)	1,179 (4,465)	1,872 (7,087)	0
180	11	13	10	18	318 (1,203)	449 (1,701)	749 (2,835)	1,189 (4,500)	445 (1,684)	629 (2,381)	1,048 (3,969)	1,664 (6,300)	0
200	12	14	11	20	286 (1,082)	404 (1,531)	674 (2,551)	1,070 (4,050)	400 (1,515)	566 (2,143)	944 (3,572)	1,498 (5,670)	0
220	13	15	12	22	260 (984)	368 (1,392)	613 (2,319)	973 (3,682)	364 (1,378)	515 (1,948)	858 (3,247)	1,362 (5,154)	0
240	14	17	13	24	238 (902)	337 (1,276)	562 (2,126)	892 (3,375)	334 (1,263)	472 (1,786)	786 (2,977)	1,248 (4,725)	0
260	15	18	15	26	220 (833)	311 (1,178)	518 (1,963)	823 (3,115)	308 (1,166)	436 (1,649)	726 (2,748)	1,152 (4,361)	0
280	16	20	16	28	204 (773)	289 (1,093)	481 (1,822)	764 (2,893)	286 (1,082)	404 (1,531)	674 (2,551)	1,070 (4,050)	0
300	18	21	17	30	191 (722)	270 (1,021)	449 (1,701)	713 (2,700)	267 (1,010)	377 (1,429)	629 (2,381)	999 (3,780)	0
320	19	22	18	32	179 (676)	253 (957)	421 (1,595)	669 (2,531)	250 (947)	354 (1,339)	590 (2,232)	936 (3,544)	0
340	20	24	19	34	168 (637)	238 (900)	396 (1,501)	629 (2,382)	235 (891)	333 (1,261)	555 (2,101)	881 (3,335)	0
360	21	25	20	36	159 (601)	225 (850)	374 (1,417)	594 (2,250)	222 (842)	315 (1,191)	524 (1,984)	832 (3,150)	0
380	22	27	21	38	150 (570)	213 (806)	355 (1,343)	563 (2,131)	211 (798)	298 (1,128)	497 (1,880)	788 (2,984)	0
400	23	28	22	40	143 (541)	202 (765)	337 (1,276)	535 (2,025)	200 (758)	283 (1,072)	472 (1,786)	749 (2,835)	0
440	26	31	25	44	130 (492)	184 (696)	306 (1,160)	486 (1,841)	182 (689)	257 (974)	429 (1,624)	681 (2,577)	0
480	28	34	27	48	119 (451)	168 (638)	281 (1,063)	446 (1,687)	167 (631)	236 (893)	393 (1,488)	624 (2,362)	0
520	30	36	29	52	110 (416)	156 (589)	259 (981)	411 (1,558)	154 (583)	218 (824)	363 (1,374)	576 (2,181)	0
560	33	39	31	56	102 (387)	144 (547)	241 (911)	382 (1,446)	143 (541)	202 (765)	337 (1,276)	535 (2,025)	0
600	35	42	34	60	95 (361)	135 (510)	225 (850)	357 (1,350)	133 (505)	189 (714)	315 (1,191)	499 (1,890)	0
640	37	45	36	64	89 (338)	126 (478)	211 (797)	334 (1,266)	125 (474)	177 (670)	295 (1,116)	468 (1,772)	0
680	40	48	38	68	84 (318)	119 (450)	198 (750)	315 (1,191)	118 (446)	167 (630)	278 (1,051)	441 (1,668)	0

The stated capacities are intended as guidelines. The capacities may vary according to dispensed volume and machine type.

Cartridge Settings & Capacities

Warewashing

Inlet Water Hardness					Warewashing Application [Capacity in Gallons (Litres)]								Bypass Setting
ppm (mg/L)	gpg	English Degree (Clarke or E)	German Degree (DH or KH)	French Degree (FH)	B145-CLS/ ES145-CLS	B165-CLS/ ES165-CLS	B195-CLS	B1175-S	B145H-CLS	B165H-CLS	B195H-CLS	B1175H-S	
100	6	7	6	10	572 (2,165)	809 (3,062)	1,348 (5,103)	2,140 (8,100)	801 (3,031)	1,132 (4,286)	1,887 (7,144)	2,996 (11,339)	0
120	7	8	7	12	477 (1,804)	674 (2,551)	1,123 (4,252)	1,783 (6,750)	667 (2,526)	944 (3,572)	1,573 (5,953)	2,496 (9,450)	0
140	8	10	8	14	408 (1,546)	578 (2,187)	963 (3,645)	1,528 (5,785)	572 (2,165)	809 (3,062)	1,348 (5,103)	2,140 (8,100)	0
160	9	11	9	16	357 (1,353)	505 (1,914)	842 (3,189)	1,337 (5,062)	500 (1,894)	708 (2,679)	1,179 (4,465)	1,872 (7,087)	0
180	11	13	10	18	318 (1,203)	449 (1,701)	749 (2,835)	1,189 (4,500)	445 (1,684)	629 (2,381)	1,048 (3,969)	1,664 (6,300)	0
200	12	14	11	20	286 (1,082)	404 (1,531)	674 (2,551)	1,070 (4,050)	400 (1,515)	566 (2,143)	944 (3,572)	1,498 (5,670)	0
220	13	15	12	22	260 (984)	368 (1,392)	613 (2,319)	973 (3,682)	364 (1,378)	515 (1,948)	858 (3,247)	1,362 (5,154)	0
240	14	17	13	24	238 (902)	337 (1,276)	562 (2,126)	892 (3,375)	334 (1,263)	472 (1,786)	786 (2,977)	1,248 (4,725)	0
260	15	18	15	26	220 (833)	311 (1,178)	518 (1,963)	823 (3,115)	308 (1,166)	436 (1,649)	726 (2,748)	1,152 (4,361)	0
280	16	20	16	28	204 (773)	289 (1,093)	481 (1,822)	764 (2,893)	286 (1,082)	404 (1,531)	674 (2,551)	1,070 (4,050)	0
300	18	21	17	30	191 (722)	270 (1,021)	449 (1,701)	713 (2,700)	267 (1,010)	377 (1,429)	629 (2,381)	999 (3,780)	0
320	19	22	18	32	179 (676)	253 (957)	421 (1,595)	669 (2,531)	250 (947)	354 (1,339)	590 (2,232)	936 (3,544)	0
340	20	24	19	34	168 (637)	238 (900)	396 (1,501)	629 (2,382)	235 (891)	333 (1,261)	555 (2,101)	881 (3,335)	0
360	21	25	20	36	159 (601)	225 (850)	374 (1,417)	594 (2,250)	222 (842)	315 (1,191)	524 (1,984)	832 (3,150)	0
380	22	27	21	38	150 (570)	213 (806)	355 (1,343)	563 (2,131)	211 (798)	298 (1,128)	497 (1,880)	788 (2,984)	0
400	23	28	22	40	143 (541)	202 (765)	337 (1,276)	535 (2,025)	200 (758)	283 (1,072)	472 (1,786)	749 (2,835)	0
440	26	31	25	44	130 (492)	184 (696)	306 (1,160)	486 (1,841)	182 (689)	257 (974)	429 (1,624)	681 (2,577)	0
480	28	34	27	48	119 (451)	168 (638)	281 (1,063)	446 (1,687)	167 (631)	236 (893)	393 (1,488)	624 (2,362)	0
520	30	36	29	52	110 (416)	156 (589)	259 (981)	411 (1,558)	154 (583)	218 (824)	363 (1,374)	576 (2,181)	0
560	33	39	31	56	102 (387)	144 (547)	241 (911)	382 (1,446)	143 (541)	202 (765)	337 (1,276)	535 (2,025)	0
600	35	42	34	60	95 (361)	135 (510)	225 (850)	357 (1,350)	133 (505)	189 (714)	315 (1,191)	499 (1,890)	0
640	37	45	36	64	89 (338)	126 (478)	211 (797)	334 (1,266)	125 (474)	177 (670)	295 (1,116)	468 (1,772)	0
680	40	48	38	68	84 (318)	119 (450)	198 (750)	315 (1,191)	118 (446)	167 (630)	278 (1,051)	441 (1,668)	0

The stated capacities are intended as guidelines. The capacities may vary according to dispensed volume and machine type.

Product Use:

Many factors beyond 3M's control and uniquely within user's knowledge and control can affect the use and performance of a 3M product in a particular application. Given the variety of factors that can affect the use and performance of a 3M product, user is solely responsible for evaluating the 3M product and determining whether it is fit for a particular purpose and suitable for user's method of application.

Warranty, Limited Remedy, and Disclaimer:

3M warrants the filter cartridge or membrane to be free from defects in material and manufacture for one (1) year from the date of purchase. No warranty is given as to the service life of any filter cartridge or membrane as it will vary with local water conditions and water consumption. 3M MAKES NO OTHER WARRANTIES OR CONDITIONS, EXPRESS OR IMPLIED, INCLUDING, BUT NOT LIMITED TO, ANY IMPLIED WARRANTY OR CONDITION OF MERCHANTABILITY OR FITNESS FOR A PARTICULAR PURPOSE OR ANY IMPLIED WARRANTY OR CONDITION ARISING OUT OF A COURSE OF DEALING, CUSTOM OR USAGE OF TRADE. This warranty does not cover labor. If the 3M product does not conform to this warranty, then the sole and exclusive remedy is, at 3M's option, replacement of the 3M product or refund of the purchase price.

This warranty gives you specific legal rights, and you may have other rights which may vary from state to state, or country to country. For any warranty questions, please call 866.990.9785 or mail your request to: Warranty Claims, 3M Purification Inc., 400 Research Parkway, Meriden, CT 06450. Proof of purchase (original sales receipt) must accompany the warranty claim, along with a complete description of the Product, model number and alleged defect.

Limitation of Liability:

Except where prohibited by law, 3M will not be liable for any loss or damage arising from the 3M product, whether direct, indirect, special, incidental or consequential, regardless of the legal theory asserted, including warranty, contract, negligence or strict liability.



3M Purification Inc.
400 Research Parkway
Meriden, CT 06450, U.S.A.
Tel: 866.990.9785
203.237.5541
Fax: 203.238.8701



Article Information Sheet

Copyright,2021, 3M Purification Inc.

All rights reserved. Copying and/or downloading of this information for the purpose of properly utilizing 3M Purification Inc. products is allowed provided that: (1) the information is copied in full with no changes unless prior written agreement is obtained from 3M Purification Inc., and (2) neither the copy nor the original is resold or otherwise distributed with the intention of earning a profit thereon.

This Article Information Sheet is provided as a courtesy in response to a customer request. A Safety Data Sheet (SDS) has not been prepared for these product(s) because they are articles. Articles are not subject to the Occupational Safety and Health Administration's Hazard Communication Standard (29 CFR 1910.1200(b)(6)(v)). As defined in this standard: "Article" means a manufactured item other than a fluid or particle: (i) which is formed to a specific shape or design during manufacture; (ii) which has end use function(s) dependent in whole or in part upon its shape or design during end use; and (iii) which under normal conditions of use does not release more than very small quantities, e.g., minute or trace amounts of a hazardous chemical, and does not pose a physical hazard or health risk to employees.

Document Group:	40-8424-0	Version Number:	1.04
Issue Date:	11/04/21	Supersedes Date:	03/12/21

SECTION 1: Identification

1.1. Product identifier

ScaleGard Pro™ Filter Cartridges

Product Identification Numbers

5633001, 5633002, 5633003, 5633101, UU-0015-3996-2, UU-0015-3998-8, UU-0015-4034-1, UU-0015-4090-3, UU-0031-2047-2, XA-3000-0081-8, XA-3000-0082-6, XA-3000-0083-4, XA-3000-0084-2, XA-3000-0085-9, XA-3000-0086-7, XA-3000-0087-5, XA-3000-0088-3, XA-3000-0089-1, XA-3000-0119-6, XA-3000-0121-2
7100067400, 7100017177, 7100016145, 7100022160, 7100016375, 7100038819, 7100038817, 7100039087, 7100038929, 7100017176, 7100017179, 7100016147, 7100022489, 7100017178, 7100016374

1.2. Recommended use and restrictions on use

Recommended use

Water Filtration

1.3. Supplier's details

MANUFACTURER:	3M Purification Inc.
DIVISION:	Separation and Purification Sciences Div
ADDRESS:	400 Research Parkway, Meriden, CT 06450-1018, USA
Telephone:	1-888-3M HELPS (1-888-364-3577)

1.4. Emergency telephone number

1-800-364-3577 or (651) 737-6501 (24 hours)

SECTION 2: Hazard identification

This product is exempt from hazard classification according to OSHA Hazard Communication Standard, 29 CFR 1910.1200.

SECTION 3: Composition/information on ingredients

Ingredient	C.A.S. No.	% by Wt
Glass Filled Polypropylene Parts - Cap, Cover, and Sump	Mixture	50 - 60
Ion Exchange Resin	Mixture	40 - 50
Carbon Block	Mixture	1 - 5
Polypropylene Parts - Wrap, End Caps, and Adapter	Trade Secret*	1 - 5
Plastic Parts - Porous Block, Porous Disc, and Outlet Tube	Trade Secret*	< 2
O-Rings	Trade Secret*	< 1

*The specific chemical identity and/or exact percentage (concentration) of this composition has been withheld as a trade secret.

SECTION 4: First aid measures**4.1. Description of first aid measures****Inhalation:**

No need for first aid is anticipated.

Skin Contact:

No need for first aid is anticipated.

Eye Contact:

No need for first aid is anticipated.

If Swallowed:

No need for first aid is anticipated.

SECTION 5: Fire-fighting measures

In case of fire: Use a fire fighting agent suitable for ordinary combustible material such as water or foam.

SECTION 6: Accidental release measures**6.1. Personal precautions, protective equipment and emergency procedures**

Not applicable.

6.2. Environmental precautions

Not applicable.

6.3. Methods and material for containment and cleaning up

Not applicable.

SECTION 7: Handling and storage**7.1. Precautions for safe handling**

This product is considered to be an article which does not release or otherwise result in exposure to a hazardous chemical under normal use conditions.

7.2. Conditions for safe storage including any incompatibilities

No special storage requirements.

SECTION 8: Exposure controls/personal protection

This product is considered to be an article which does not release or otherwise result in exposure to a hazardous chemical under normal use conditions. No engineering controls or personal protective equipment (PPE) are necessary.

SECTION 9: Physical and chemical properties

9.1. Information on basic physical and chemical properties

Appearance

Physical state

Solid

Color

White

Odor

Odorless

Odor threshold

No Data Available

pH

Not Applicable

Melting point

No Data Available

Boiling Point

Not Applicable

Flash Point

Not Applicable

Evaporation rate

Not Applicable

Flammability (solid, gas)

Not Classified

Flammable Limits(LEL)

Not Applicable

Flammable Limits(UEL)

Not Applicable

Vapor Pressure

Not Applicable

Vapor Density

Not Applicable

Density

No Data Available

Specific Gravity

No Data Available

Solubility In Water

Not Applicable

Solubility- non-water

Not Applicable

Partition coefficient: n-octanol/ water

Not Applicable

Autoignition temperature

Not Applicable

Decomposition temperature

No Data Available

Viscosity

Not Applicable

Average particle size

Not Applicable

SECTION 10: Stability and reactivity

This material is considered to be non reactive under normal use conditions.

SECTION 11: Toxicological information

Inhalation:

No health effects are expected

Skin Contact:

No health effects are expected

Eye Contact:

No health effects are expected

Ingestion:

No health effects are expected

Additional Information:

This product, when used under reasonable conditions and in accordance with the directions for use, should not present a health hazard. However, use or processing of the product in a manner not in accordance with the product's directions for use may affect the performance of the product and may present potential health and safety hazards.

SECTION 12: Ecological information

This article is expected to present a low environmental risk either because use and disposal are unlikely to result in a significant release of components to the environment or because those components that may be released are expected to have insignificant environmental impact.

SECTION 13: Disposal considerations

Dispose of contents/container in accordance with the local/regional/national/international regulations.

SECTION 14: Transport Information

Please contact the emergency numbers listed on the first page of the SDS for Transportation Information for this material.

SECTION 15: Regulatory information**Chemical Inventories**

This product is an article as defined by TSCA regulations, and is exempt from TSCA Inventory requirements.

SECTION 16: Other information**NFPA Hazard Classification**

Health: 1 **Flammability:** 1 **Instability:** 0 **Special Hazards:** None

National Fire Protection Association (NFPA) hazard ratings are designed for use by emergency response personnel to address the hazards that are presented by short-term, acute exposure to a material under conditions of fire, spill, or similar emergencies. Hazard ratings are primarily based on the inherent physical and toxic properties of the material but also include the toxic properties of combustion or decomposition products that are known to be generated in significant quantities.

Document Group:	40-8424-0	Version Number:	1.04
Issue Date:	11/04/21	Supersedes Date:	03/12/21

DISCLAIMER: The information in this Article Information Sheet (AIS) is believed to be correct as of the date issued. 3M Purification Inc. MAKES NO WARRANTIES, EXPRESSED OR IMPLIED, INCLUDING, BUT NOT LIMITED TO, ANY IMPLIED WARRANTY OF MERCHANTABILITY OR FITNESS FOR A PARTICULAR PURPOSE OR COURSE OF PERFORMANCE OR USAGE OF TRADE. User is responsible for determining whether the 3M Purification Inc. product is fit for a particular purpose and suitable for user's method of use or application. Given the variety of factors that can affect the use and application of a 3M Purification Inc. product, some of which are uniquely within the user's knowledge and control, it is essential that the user evaluate the 3M Purification Inc. product to determine whether it is fit for a particular purpose and suitable for user's method of use or application.

3M Purification Inc. provides information in electronic form as a service to its customers. Due to the remote possibility that electronic transfer may have resulted in errors, omissions or alterations in this information, 3M Purification Inc. makes no representations as to its completeness or accuracy. In addition, information obtained from a database may not be as current as the information in the AIS available directly from 3M Purification Inc.

3M Purification Inc. USA AISs are available at www.3M.com

