

SPEC# \_\_\_\_\_

QUANTITY \_\_\_\_\_

application: **ICE/COFFEE**

models: High Flow Series

## ICE260-S/ICE265-S



3M Purification Inc. Water Filtration Products High Flow Series dual manifold High Flow Series ICE260-S and ICE265-S water filtration systems help provide consistent high quality water for commercial ice machines and coffee brewers by reducing the effects of sediment, chlorine taste and odor and scale at flow rates up to 6.68 gpm (25.3 lpm). Built-in scale inhibition reduces the ability of calcium and magnesium to precipitate as hard scale.

- **Model: High Flow Series ICE260-S** combines two High Flow Series HF60-S cartridges with a High Flow Series 2XX twin manifold to give chlorine taste and odor reduction with cyst, bacteria<sup>1</sup> and sediment reduction, while reducing the effects of chlorine corrosion and scale for up to 70,000 gallons (264,978 liters).
- **Model: High Flow Series ICE265-S** combines two High Flow Series HF65-S cartridges with a High Flow Series 2XX twin manifold to give chlorine taste and odor reduction with sediment reduction for higher turbidity water, while reducing the effects of chlorine corrosion and scale for up to 70,000 gallons (264,978 liters).

### PRODUCT BENEFITS

- Effectively reduces sediment and chlorine taste and odor for better equipment protection and clearer, great tasting ice.
- Revolutionary **I**ntegrated **M**embrane **P**re-**A**ctivated **C**arbon **T**echnology (“**IMPACT**”) dual-zone media cartridge construction combines a membrane in series with premium activated carbon to provide superior throughput and cartridge life.
- Built-in bacteria inhibitor intended to reduce fouling of media (HF60-S replacement cartridge.)
- Tested and verified by manufacturer’s laboratory to Standard 53 for cyst reduction (HF60-S replacement cartridge).
- NSF Standard 42 and/or FDA CFR-21 compliant materials.
- Reduction of up to 99.99% of common water-borne heterotrophic bacteria by membrane filtration as tested by 3M Purification (HF60-S replacement cartridge).
- Built-in scale inhibitor reduces lime scale build-up as tested by CUNO.
- Sanitary Quick Change (SQC) encapsulated cartridge design allows for fast and easy cartridge change-outs with a 1/4 turn.
- 3/4” NPT horizontal inlet and outlet ports allow direct or easily adaptable connections to existing plumbing lines.
- Auxiliary inlet gauge port allows optional monitoring of differential water pressure.

### PRODUCT SPECIFICATIONS

Model Number	Part Number	Reduction Claims	Nominal Micron Rating	Capacity	Service Flow Rate	Application	Replacement Cartridge	Sizing
ICE260-S	56245-03	Cyst, Bacteria <sup>1</sup> , Sediment, Chlorine Taste and Odor, Scale <sup>2</sup>	0.2 <sup>3</sup>	70,000 gallons (264,978 liters)	6.68 gpm (25.3 lpm)	Most Standard Water	HF60-S: (Qty. 2) 56134-05	Low Flow Cubers to 3,000 lbs. (1,361 kg) High Flow Cubers to 2,400 lbs. (1,089 kg) Flakers to 4,800 lbs. (2,177 kg)
ICE265-S	56245-04	Sediment, Chlorine Taste and Odor, Scale <sup>2</sup>	3.0 <sup>3</sup>	70,000 gallons (264,978 liters)	6.68 gpm (25.3 lpm)	Higher Turbidity Water	HF65-S: (Qty. 2) 56134-09	Low Flow Cubers to 3,000 lbs. (1,361 kg) High Flow Cubers to 2,400 lbs. (1,089 kg) Flakers to 4,800 lbs. (2,177 kg)

<sup>1</sup> As tested with E.Coli ATCC (11229)

<sup>2</sup> Tested and verified by manufacturer’s laboratory

<sup>3</sup> NSF Certified for Particulate, Class I



High Flow Series

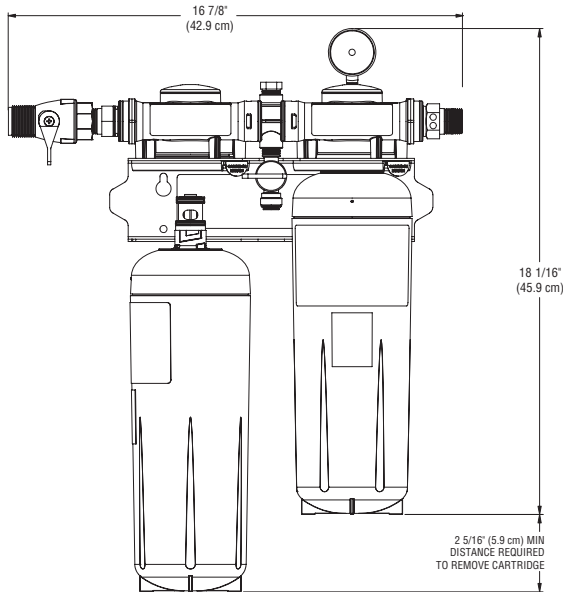
# ICE260-S/ICE265-S

SPEC# \_\_\_\_\_

QUANTITY \_\_\_\_\_

MODEL NUMBER \_\_\_\_\_

PART NUMBER \_\_\_\_\_



**⚠ WARNING: To reduce the risk associated with the ingestion of contaminants:**

- Do not use with water that is microbiologically unsafe or of unknown quality without adequate disinfection before or after the system. Systems certified for cyst reduction may be used on disinfected water that may contain filterable cysts. EPA Establishment #070595-CT-001

Manufacturer recommends regularly scheduled maintenance and replacement of the filter cartridge(s) in order for the product to perform as advertised/sold. Manufacturer shall not be liable for system failures due to improper maintenance.

### LIMITED WARRANTY

3M Purification Inc. warrants this Product will be free from defects in material and manufacture for five (5) years from the date of purchase: The filter cartridge or filter membrane is warranted to be free from defects in material and manufacture for one (1) year. This warranty does not cover failures resulting from abuse, misuse, alteration or damage not caused by 3M Purification Inc. or failure to follow installation and use instructions. No warranty is given as to the service life of any filter cartridge or membrane as it will vary with local water conditions and water consumption. **3M PURIFICATION INC. MAKES NO OTHER WARRANTIES OR CONDITIONS, EXPRESS OR IMPLIED, INCLUDING, BUT NOT LIMITED TO, ANY IMPLIED WARRANTY OR CONDITION OF MERCHANTABILITY OR FITNESS FOR A PARTICULAR PURPOSE OR ANY IMPLIED WARRANTY OR CONDITION ARISING OUT OF A COURSE OF DEALING, CUSTOMER OR USAGE OF TRADE.** If the Product fails to satisfy this Limited Warranty during the warranty period, 3M Purification Inc. will replace the Product or refund your Product purchase price. This warranty does not cover labor. The remedy stated in this paragraph is Customer's sole remedy and 3M Purification Inc.'s exclusive obligation. For additional information, see the entire Limited Warranty located in the product Installation and Operating Instruction Manual.

**Limitation of Liability:** 3M Purification Inc. will not be liable for any loss or damage arising from this 3M Purification Inc. product, whether direct, indirect, special, incidental, or consequential, regardless of the legal theory asserted, including warranty, contract, negligence or strict liability. Some states and countries do not allow the exclusion or limitation of incidental or consequential damages, so the above limitation or exclusion may not apply to you.

# 3M Purification Inc. Water Filtration Products

### PHYSICAL SPECIFICATIONS

- System includes a two cartridge manifold with built-in pressure gauge, inlet water shut-off valve, outlet check valve, mounting brackets and two cartridge filters.
- Auxilliary inlet gauge port allows optional monitoring of differential water pressure.
- Filter cartridges are o-ring seal type.
- System maximum operating pressure of 125 psi (862 kPa) and operating temperature of 100°F (37.8°C).
- Recommended service flow rate is up to 6.68 gpm (25.3 lpm).
- Filter cartridges incorporate a bacteriostatic carbon block filtration medium (HF60-S replacement cartridge) and scale inhibitor.
- System materials are NSF Standard 42 and/or FDA CFR-21 compliant.
- Cartridges are sanitary in design, requiring no contact with the filter media during cartridge change-out.
- Filter cartridges require no pre-activation.
- NSF Performance Data Sheet (PDS) is included.
- Shipping weight: Contact Factory.
- Operating weight: 27 lbs. (12.2 kg) per case.

### IMPORTANT: INSTALLATION TIPS

These installation tips are for informational purposes only and are not intended to be used as actual installation instructions. **CAUTION: To reduce the risk associated with property damage due to water leakage:**

- **Read and follow** Use Instructions before installation and use of this system.
- Installation and use **MUST** comply with all state and local plumbing codes.
- **Protect from freezing**, remove filter cartridge when temperatures are expected to drop below 40°F (4.4°C).
- **Do not install on hot water supply lines.** The maximum operating water temperature of this filter system is 100°F (37.8°C).
- **Do not install** if water pressure exceeds 125 psi (862 kPa). If your water pressure exceeds 80 psi (552 kPa), you must install a pressure limiting valve. Contact a plumbing professional if you are uncertain how to check your water pressure.
- **Do not install** where water hammer conditions may occur. If water hammer conditions exist you must install a water hammer arrester. Contact a plumbing professional if you are uncertain how to check for this condition.
- The disposable filter cartridge **MUST** be replaced every 12 months, at the rated capacity or if a noticeable reduction in flow rate occurs.



3M Purification Inc.  
400 Research Parkway  
Meriden, CT 06450 U.S.A.  
Toll Free: 1.800.243.6894  
Worldwide: 203.237.5541  
Fax: 203.630.4530  
www.3Mpurification.com



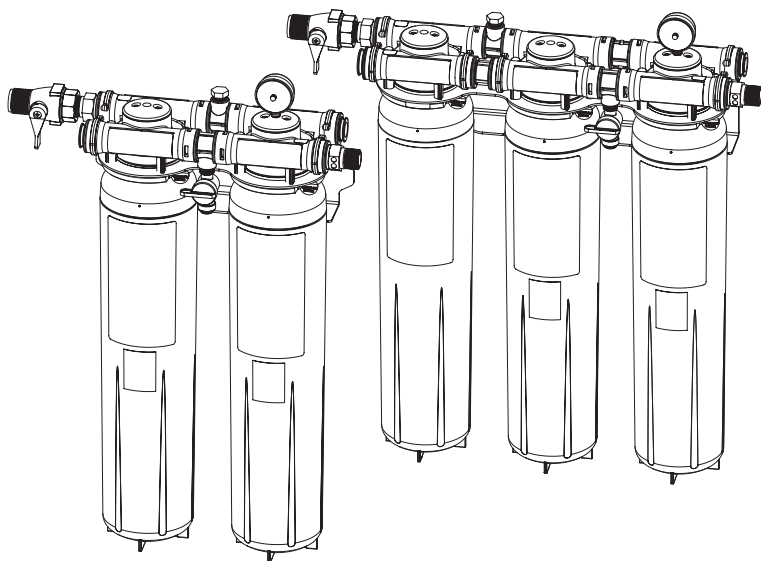
High Flow Series cartridges and manifolds are tested and certified by NSF International against NSF/ANSI Standard 42 and NSF/ANSI Standard 53 for the reduction of claims as specified on the Performance Data Sheet.

3M is a trademark of 3M Company.  
NSF is a trademark of NSF International.  
© 2011 3M Company. All rights reserved.  
LITFS294 0811B  
70-0201-9420-8  
Please recycle. Printed in U.S.A.



Water Filtration  
Products

## Installation Manual for Dual/Triple Manifold Systems



**For all BREW, BEV, ICE, HF**  
*High Flow Series Water Filtration Systems*

**Register your system and sign up for reminders at:**  
[www.3m.com/FSfilterreminder](http://www.3m.com/FSfilterreminder)

**Note: Installer - please leave with owner/operator.**

## Table Of Contents

Safety Information .....	2-4
Inlet and Outlet Connections.....	17
How to Use.....	18-20
Installation .....	21-27
Equipment Start-up Procedure.....	28
Cartridge Replacement .....	29
Parts Identification List .....	30-33
Limited Warranty.....	34
Flush Tables.....	38-41

## Table Des Matières

Renseignements sur la sécurité .....	4-6
Raccords entrants et sortants .....	17
Utilisation .....	18-20
Installation .....	21-27
Procédure de démarrage de l'équipement .....	28
Remplacement De La Cartouche .....	29
Nomenclature Des Pièces .....	30-33
Garantie Limitée .....	34
Tableau Des Rinçages.....	38-41

## Inhaltsverzeichnis

Sicherheitsinformationen.....	6-7
Einlass- und Auslassanschlüsse .....	17
Verwendung .....	18-20
Installation .....	21-27
Verfahren zur Inbetriebnahme der Anlage.....	28
Austausch Von Kartuschen .....	29
Teilliste .....	30-33
Eingeschränkte Garantie.....	35
Spültabelle .....	38-41

## Indice

Informazioni relative alla sicurezza .....	8-9
Collegamenti di ingresso e uscita .....	17
Utilizzo .....	18-20
Installazione .....	21-27
Procedura di avvio dell'attrezzatura .....	28
Sostituzione Della Cartuccia.....	29
Elenco Di Identificazione Delle Parti.....	30-33
Garanzia Limitata .....	35
Tabella Per L'irrigazione.....	38-41

## Índice

Información de seguridad.....	9-11
Conexiones de entrada y salida.....	17
Modo de uso .....	18-20
Instalación .....	21-27
Procedimiento de encendido del equipo .....	28
Reemplazo Del Cartucho .....	29
Lista De Identificación De Piezas.....	30-33
Garantía Limitada.....	36
Tabla De Purga.....	38-41

## Inhoudsopgave

Veiligheidsinformatie .....	11-13
Aansluitingen voor de inlaat en de uitlaat .....	17
Hoe te gebruiken .....	18-20
Installatie .....	21-27
Procedure voor de inbedrijfstelling van de installatie .....	28
Een Cartridge Vervangen.....	29
Onderdelenlijst .....	30-33
Beperkte Garantie.....	36
Spoeltabel .....	38-41

## 目次

安全に関する情報 .....	13-15
入口/出口の接続 .....	17
使用方法 .....	18-20
設置 .....	21-27
機器の動作手順 .....	28
カートリッジ交換 .....	29
部品確認リスト .....	30-33
制限付き保障 .....	37
放出水量表 .....	38-41

## 目录

安全信息 .....	15-16
进口和出口连接 .....	17
使用方法 .....	18-20
安装 .....	21-27
设备启动程序 .....	28
滤筒更换 .....	29
部件标识列表 .....	30-33
有限质保 .....	37
冲洗台 .....	38-41

## Safety Information

**Please read and follow all product instructions and safety information prior to use of this Food Service System and Replacement Cartridge. Retain these instructions for future reference.**

### Intended Use and Product Selection:

The 3M™ High Flow Series Water Filtration System filters drinking water for your foodservice equipment, appliance, or faucet tap, also known as a point-of-use system. The system is designed to be plumbed-in to a drinking water appliance or foodservice equipment or installed under a sink attached to your drinking faucet's cold-water supply line. This product should be connected to a public or private drinking water supply system.

The 3M™ High Flow Series Water Filtration System has been tested and certified to NSF/ANSI standard 42 and 53 for the reduction of the substances listed in the system Performance Data Sheet. The system does not reduce all substances that could be present in your water. Verify this system meets your water treatment needs by checking your incoming water quality before installation and comparing to the system's capabilities stated in the Performance Data Sheet.

The 3M™ High Flow Series Water Filtration System must be installed and maintained as specified in the installation instructions and in compliance with applicable local plumbing codes and regulations. The system must be installed by a qualified professional.

### Explanation of Signal Word Consequences

<b>⚠ WARNING:</b>	Indicates a hazardous situation which, if not avoided, could result in serious injury or death.
<b>NOTICE:</b>	Indicates a situation which, if not avoided, could result in property damage.

### **⚠ WARNING:**

**Read entire product manual. Failure to follow all product instructions and warnings could cause personal injury from exposure to contaminants and/or property damage due to water leakage or flooding.**

- **DO NOT** use with water that is microbiologically unsafe or of unknown quality without adequate disinfection before or after the system. Systems certified for cyst reduction may be used on disinfected water that may contain filterable cysts.
- **THIS SYSTEM DOES NOT REMOVE ALL SUBSTANCES THAT COULD BE PRESENT IN DRINKING WATER.** This system reduces the listed substances identified in the Performance Data Sheet.
- **VERIFY THIS SYSTEM** meets your water treatment needs by checking your incoming water source quality and comparing to the system's capabilities described in the Performance Data Sheet. Check water source quality by contacting your local water authority and/or having water tested by a qualified laboratory. Check water quality regularly as it can change. After installation, test outgoing filtered water quality regularly to ensure system is installed correctly and meeting your treatment needs, especially if your filter's incoming water or plumbing system may have high contaminant levels. Actual performance may vary depending on your local water and plumbing conditions and water consumption patterns.
- **DO NOT** use product if it has been hit, dropped, or damaged.
- Before using, flush any new filter cartridge with water according to the Performance Data Sheet. In addition, flush the cartridge whenever the system has not been used for more than 72 hours.
- **REPLACE FILTER CARTRIDGE** no later than every 6 or 12 months. If the rated gallon capacity is reached or a noticeable reduction in flow rate, change in odor or taste occurs before 6 or 12 months of use, then replace filter promptly. Failure to replace filter cartridge according to these instructions may result in failure of filter to reduce contaminants as designed AND/OR property damage due to water leakage or flooding.

**To reduce the risk associated with choking:**

- **DO NOT** allow children under 3 years of age to access small parts.

### **NOTICE:**

**Read entire product manual. Failure to follow all product instructions may lead to property damage due to water leakage or flooding. Contact a licensed plumber if you are unsure about any of the following instructions:**

- System installation and use must comply with all state and local regulations and plumbing codes.
- Water Supply Pressure: If your water supply pressure is higher than 80 psi, you must install a pressure reducing valve before installing system.
- Water Hammer: if water hammer conditions may occur, you must install a water hammer arrester.
- Backflow prevention: If a backflow prevention device is installed on a water system, you must install a device for controlling pressure due to thermal expansion.
- Booster Pump: if a booster pump is installed on a water system, you must (a) maintain and inspect the attached pressure switch regularly in accordance with the booster pump manufacturer's instructions; and (b) install an appropriate pressure reducing valve, and maintain and inspect the valve regularly.
- When mounting the system, pick a location where (a) the filter will not be struck by other items, (b) no equipment, electrical wires or pipes will be in the path of your drilling or tools, and (c) the fasteners will support the weight of the system when full of water.
- Install only on cold water supply line. **DO NOT** install where ambient temperatures or water temperatures may exceed 100°F (37.8°C). **DO NOT** install in direct sunlight or outdoors.
- Protect from freezing. Remove filter cartridge if temperature may drop below 40°F (4.4°C).
- **DO NOT** install with rigid piping (such as copper, aluminum, stainless steel, chrome plated, or anodized tubing).
- Use compatible flexible tubing with appropriate connections (such as PEX tubing, PE tubing, PP tubing). Avoid twisting during installation.
- **DO NOT** install or use if a collet or any other component is missing. Contact 1-866-990-9785 or your local distributor.
- **DO NOT** use product if it has been hit, dropped, or damaged.

## NOTICE:

- **REPLACE FILTER CARTRIDGE** no later than every 6 or 12 months or sooner. Failure to replace the filter cartridge at the required time may lead to property damage due to water leakage or flooding.
- Inspect on a regular basis to ensure system is performing appropriately, filter cartridges are replaced in a timely manner, and all tubing and fittings are secure and free of leaks.

For Performance Data Sheet go to [3M.com/waterquality](http://3M.com/waterquality) or contact 3M at 1-866-990-9785.

For additional product information, including product manual and spec sheets, contact 3M at 1-866-990-9785.

For additional information on cartridge replacements please go to [3M.com/waterquality](http://3M.com/waterquality).

## IMPORTANT NOTES:

- Failure to follow instructions will void warranty.
- Allow a minimum of 3" (7.62 cm) clear space under filter to facilitate filter change.

### Renseignements sur la sécurité

**Veillez lire et suivre l'ensemble des instructions sur le produit et des renseignements sur la sécurité avant d'utiliser ce système de services alimentaires et cette cartouche de remplacement. Conservez ces instructions pour pouvoir vous y référer ultérieurement.**


### Utilisation prévue et sélection des produits :

Le système de filtration d'eau 3M<sup>MC</sup> de la série High Flow filtre l'eau potable pour votre équipement de services alimentaires, votre appareil ou votre robinet, également connu sous le nom de système de point d'utilisation. Le système est conçu pour être raccordé à l'appareil d'eau potable ou à l'équipement de services alimentaires ou pour être installé sous un évier fixé à la conduite d'alimentation en eau froide de votre robinet. Ce produit doit être relié à un système d'approvisionnement en eau potable public ou privé.

Le système de filtration d'eau 3M<sup>MC</sup> de la série High Flow a été testé et certifié conforme aux normes NSF/ANSI 42 et 53 pour la réduction des substances indiquées dans la fiche technique de performances du système. Le système ne réduit pas toutes les substances qui peuvent être présentes dans votre eau. Vérifiez que ce système répond à vos besoins en matière de traitement de l'eau en contrôlant la qualité de l'eau d'arrivée avant l'installation et en la comparant aux capacités du système énoncées dans la fiche technique de performances.

Le système de filtration d'eau 3M<sup>MC</sup> de la série High Flow doit être installé et entretenu comme indiqué dans les instructions d'installation et conformément aux codes de plomberie et aux règlements locaux applicables. Le système doit être installé par un professionnel qualifié.

### Descriptions des conséquences des termes signalétiques

 <b>AVERTISSEMENT:</b>	Indique une situation dangereuse qui, si elle n'est pas évitée, pourrait entraîner des blessures graves ou la mort.
<b>AVIS :</b>	Indique une situation qui, si elle n'est pas évitée, peut entraîner des dommages matériels.

### **AVERTISSEMENT :**

**Lire entièrement le manuel du produit. Le non-respect de l'ensemble des instructions sur le produit et des avertissements pourrait entraîner des lésions corporelles découlant de l'exposition aux contaminants et/ou des dommages matériels dus à une fuite d'eau ou à une inondation.**

- **NE PAS** utiliser avec de l'eau présentant des dangers de contamination microbiologique ou de qualité incertaine sans une désinfection adéquate en amont ou en aval du système. Un système homologué pour la réduction des kystes peut être utilisé lorsque l'eau désinfectée est susceptible de contenir des kystes filtrables.
- **CE SYSTÈME NE SUPPRIME PAS TOUTES LES SUBSTANCES QUI PEUVENT ÊTRE PRÉSENTES DANS L'EAU POTABLE.**  
Ce système réduit les substances énumérées qui sont identifiées dans la fiche technique de performances.
- **VÉRIFIER QUE CE SYSTÈME** répond à vos besoins de traitement de l'eau en contrôlant la qualité de votre alimentation en eau et en la comparant aux capacités du système décrites dans la fiche de données de performances. Contrôler la qualité de l'alimentation en eau en contactant votre service local des eaux et/ou en faisant tester l'eau par un laboratoire qualifié. Contrôler régulièrement la qualité de l'eau car elle peut évoluer. Après l'installation, tester régulièrement la qualité de l'eau filtrée sortante pour s'assurer que le système est installé correctement et respecte vos besoins de traitement, en particulier si l'eau qui arrive à votre filtre ou si votre circuit d'eau peut présenter des niveaux de contaminants élevés. Les performances réelles peuvent varier selon l'eau locale, l'état de la plomberie et vos habitudes de consommation d'eau.

## **AVERTISSEMENT :**

- **NE PAS** utiliser le produit s'il a été heurté, s'il est tombé ou endommagé.
- Avant l'utilisation, rincez toute nouvelle cartouche filtrante avec de l'eau conformément à la fiche technique des performances. De plus, rincez la cartouche chaque fois que le système est resté inutilisé pendant plus de 72 heures.
- **REPLACER LA CARTOUCHE FILTRANTE** au plus tard tous les 6 ou 12 mois. Remplacer immédiatement le filtre si la capacité nominale indiquée en gallons est atteinte ou si une réduction notable du débit ou un changement notable d'odeur ou de goût se produit avant les 6 ou 12 mois d'utilisation. Le non-remplacement de la cartouche filtrante conformément à ces instructions peut entraîner une défaillance du filtre à réduire les contaminants comme prévu ET/OU des dommages matériels dus à une fuite d'eau ou à une inondation.

### **Pour réduire les risques d'étouffement:**

- **INTERDIRE** l'accès aux petites pièces aux enfants de moins de 3 ans.

## **AVIS :**

**Lire entièrement le manuel du produit. Le non-respect de l'ensemble des instructions sur le produit peut entraîner des dommages matériels dus à une fuite d'eau ou à une inondation. Communiquez avec un plombier agréé si vous avez des doutes sur les instructions suivantes :**

- L'installation et l'utilisation du système doivent être conformes à tous les règlements et codes de plomberie locaux et nationaux.
- Pression de l'alimentation en eau : si votre pression d'alimentation en eau est supérieure à 80 lb/po<sup>2</sup>, vous devez installer une vanne de réduction de la pression avant d'installer le système.
- Coups de bélier : en cas de coups de bélier, vous devez installer un antibélier.
- Prévention du reflux : si un dispositif anti-refoulement est installé sur un réseau d'eau, vous devez installer un dispositif de contrôle de la pression due à la dilatation thermique.
- Pompe de surpression : si une pompe de surpression est installée sur un réseau d'eau, vous devez (a) entretenir et inspecter régulièrement le pressostat accordé conformément aux instructions du fabricant de la pompe de surpression; et (b) installer une vanne de réduction de la pression appropriée, et entretenir et inspecter la vanne régulièrement.
- Lorsque vous montez le système, choisissez un endroit où (a) le filtre ne sera pas heurté par d'autres objets, (b) aucun équipement, fil électrique ni tuyau ne se trouvera sur le passage de vos outils de perçage, et (c) les fixations supporteront le poids du système une fois rempli d'eau.
- Installez uniquement sur une conduite d'alimentation en eau froide. **NE PAS** installer lorsque la température ambiante ou la température de l'eau dépasse les 37,8 °C (100 °F). **NE PAS** installer en plein soleil ou à l'extérieur.
- Protéger du gel. Retirez la cartouche filtrante lorsque la température tombe sous les 4,4 °C (40 °F).
- **NE PAS** installer avec une tuyauterie rigide (comme des tuyaux en cuivre, en aluminium, en acier inoxydable, chromés ou anodisés).
- Utilisez des tuyaux flexibles compatibles avec des raccords appropriés (comme des tuyaux PEX, PE ou PP). Évitez les torsions pendant l'installation.
- **NE PAS** installer ni utiliser s'il manque une bague de serrage or tout autre composant. Appelez le 1-866-990-9785 ou votre distributeur local.
- **NE PAS** utiliser le produit s'il a été heurté, s'il est tombé ou endommagé.
- **REPLACER LA CARTOUCHE FILTRANTE** tous les 6 ou 12 mois ou plus tôt. Le non-remplacement de la cartouche filtrante au moment requis peut entraîner des dommages matériels dus à une fuite d'eau ou à une inondation.
- Effectuez une inspection régulière afin de vous assurer que le système fonctionne correctement, que les cartouches filtrantes sont remplacées en temps opportun et que tous les tuyaux et les raccords sont bien fixés et ne fuient pas.

Vous trouverez la fiche de données de performances à l'adresse [3M.com/waterquality](http://3M.com/waterquality) ou en contactant 3M au 1-866-990-9785.

Pour plus d'informations sur les produits, y compris les manuels et les fiches techniques des produits, contacter 3M au 1-866-990-9785.

Vous trouverez des informations supplémentaires sur les remplacements de cartouche à l'adresse [3M.com/waterquality](http://3M.com/waterquality).

## REMARQUES IMPORTANTES :

- Le non-respect des instructions annule la garantie.
- Prévoyez un espace libre d'au moins 7,62 cm (3 po) sous le filtre pour faciliter son changement.

### Sicherheitsinformationen

Lesen und beachten Sie alle Produktanweisungen und Sicherheitsinformationen zu diesem System für den Gastronomiebereich und zur Ersatzkartusche. Bewahren Sie diese Anweisungen für zukünftige Referenzzwecke auf.

### Verwendungszweck und Produktauswahl:

Das 3M™ High Flow Series Water Filtration System, auch als Point-of-use-System bezeichnet, filtert Trinkwasser für Ihr Gastronomiegerät, Ihr Versorgungssystem oder Ihren Zapfhahn. Das System ist dazu vorgesehen, an ein Trinkwasser-Versorgungssystem oder Gastronomiegerät oder unter einem Spülbecken an die Kaltwasser-Trinkwasserversorgungsleitung angeschlossen zu werden. Dieses Produkt muss an ein öffentliches oder privates Trinkwasser-Versorgungssystem angeschlossen werden.

Das 3M™ High Flow Series Water Filtration System wurde gemäß den NSF/ANSI-Normen 42 und 53 auf die Verringerung der im Systemleistungsdatenblatt aufgeführten Substanzen getestet und entsprechend zertifiziert. Das System verringert nicht alle Substanzen, die in Ihrem System vorhanden sein könnten. Stellen Sie sicher, dass dieses System Ihre Anforderungen an die Wasseraufbereitung erfüllt, indem Sie die Qualität des zufließenden Wassers vor der Installation überprüfen und mit der im Leistungsdatenblatt beschriebenen Systemleistung vergleichen.

Das 3M™ High Flow Series Water Filtration System muss wie in den Installationsanweisungen angegeben installiert und gewartet werden und alle örtlichen Sanitär-Vorschriften und -Bestimmungen erfüllen. Das System darf nur von einem qualifizierten Fachmann installiert werden.

### Erläuterung der Signalwortfolgen

<b>⚠ ACHTUNG:</b>	Weist auf eine Gefahrensituation hin, die, wenn sie nicht vermieden wird, zu schweren oder tödlichen Verletzungen führen kann.
<b>HINWEIS:</b>	Weist auf eine Situation hin, die, wenn sie nicht vermieden wird, zu Sachschäden führen kann.

### ⚠ ACHTUNG:

**Lesen Sie das Produkthandbuch vollständig. Die Nichtbeachtung der Anweisungen und Warnhinweise kann zu Verletzungen von Personen durch Schadstoffe und/oder zu Sachschäden wegen auflaufenden Wassers oder Überflutung führen.**

- **NICHT** mit Wasser verwenden, das mikrobiologisch bedenklich oder dessen Qualität unbekannt ist, wenn vor oder nach dem System keine angemessene Desinfektion erfolgt. Systeme, die eine Zertifizierung für Zystenreduktion besitzen, können für desinfiziertes Wasser, das filtrierbare Zysten enthält, genutzt werden.

- **DIESES SYSTEM VERRINGERT NICHT ALLE SUBSTANZEN; DIE IN IHREM SYSTEM VORHANDEN SEIN KÖNNEN.**

Dieses System verringert die Substanzen, die im Leistungsdatenblatt angegeben sind.

- **STELLEN SIE SICHER, DASS DIESES SYSTEM** Ihre Anforderungen an die Wasseraufbereitung erfüllt, indem Sie die Qualität der Quelle des zufließenden Wassers überprüfen und mit der im Leistungsdatenblatt beschriebenen Systemleistung vergleichen. Überprüfen Sie die Qualität der Wasserquelle, indem Sie Ihre örtliche Wasserbehörde kontaktieren und/oder Wasser von einem qualifizierten Labor testen lassen. Überprüfen Sie die Wasserqualität regelmäßig, da sie Änderungen unterliegt. Überprüfen Sie nach der Installation die Qualität des gefilterten fließenden Wassers regelmäßig, um sicherzustellen, dass das System richtig installiert ist und die Anforderungen Ihrer Behandlung erfüllt. Insbesondere, falls das in Ihren Filter einfließende Wasser oder Ihr Sanitärsystem höhere Mengen von Schadstoffen aufweisen kann. Die tatsächliche Leistung hängt von der Beschaffenheit des örtlichen Wassers und der Installationen sowie den Wasserverbrauchsmustern ab.
- Verwenden Sie das Produkt **NICHT**, wenn es angeschlagen, fallen gelassen oder beschädigt wurde.
- Spülen Sie jede neue Filterkartusche vor Gebrauch mit Wasser, wie im Leistungsdatenblatt angegeben. Spülen Sie die Filterkartusche außerdem, wenn das System 72 Stunden nicht verwendet wurde.



## ⚠ ACHTUNG:

- Die **FILTERKARTUSCHE MUSS** spätestens alle 12 Monate **AUSGETAUSCHT** werden. Wenn vor dem Ablauf von 12 Monaten die angegebene Literkapazität erreicht ist oder eine Verringerung des Durchflusses erkennbar ist, eine Änderung von Geruch oder Geschmack auftritt, ist der Filter sofort auszutauschen. Erfolgt der Wechsel der Filterkartusche nicht anweisungsgemäß, kann es zu einer verminderten Filterleistung bei der Verringerung von Schadstoffen UND/ODER zu Sachschäden durch austretendes Wasser oder Überflutung kommen.

### Zur Reduzierung des Erstickungsrisikos:

- Kinder unter 3 Jahren **MÜSSEN** von Kleinteilen ferngehalten werden.

## HINWEIS:

**Lesen Sie das Produkthandbuch vollständig. Es müssen alle Produktanweisungen beachtet werden, da sonst wegen auslaufenden Wassers oder Überflutung Sachschäden verursacht werden können. Wenden Sie sich an einen qualifizierten Sanitärfachmann, wenn Sie sich bei folgenden Anweisungen unsicher sind:**

- Installation und Gebrauch des Systems **MÜSSEN** alle staatlichen und örtlichen Bestimmungen und Sanitärvorschriften erfüllen.
- Wasserversorgungsdruck: Falls Ihr Wasserversorgungsdruck über 80 psi liegt, müssen Sie vor dem Einbau des Systems ein Druckminderventil installieren.
- Wasserschlag: Wenn Bedingungen vorliegen, die zu Wasserschlag führen können, müssen Sie einen Wasserschlagableiter installieren.
- Rückflussverhinderung: Bei einem Wassersystem mit Sicherungsarmatur gegen Rückfließen muss wegen der Wärmeausdehnung ein Gerät zur Druckkontrolle installiert werden.
- Druckerhöhungspumpe: Falls eine Druckerhöhungspumpe in einem Wassersystem installiert ist, müssen Sie (a) den abgebrachten Druckschalter regelmäßig gemäß den Anweisungen des Druckerhöhungspumpen-Herstellers warten und überprüfen; und (b) ein geeignetes Druckminderventil installieren, und dieses Ventil regelmäßig warten und überprüfen.
- Achten Sie bei der Installation auf Folgendes: Wählen Sie einen Installationsort aus, an dem (a) der Filter nicht mit anderen Objekten in Kontakt kommt, (b) sich keine Geräte, elektrischen Leitungen oder Rohre im Weg Ihres Bohrers oder anderer Werkzeuge befinden, und (c) die Befestigungselemente das Gewicht des Systems tragen können, wenn es mit Wasser gefüllt ist.
- Nur an der Kaltwasserversorgungsleitung installieren. **NICHT** in Bereichen installieren, in denen die Umgebungstemperaturen 100 °F (37,8 °C) überschreiten. Das System **NICHT** in direkter Sonneneinstrahlung oder im Freien installieren.
- Vor Frost schützen. Die Filterkartusche entfernen, wenn die Temperatur unter 40 °F (4,4 °C) fällt.
- Installieren Sie das System **NICHT** mit starren Rohrleitungen (z. B. Rohre aus Kupfer, Aluminium, Edelstahl, verchromte oder eloxierte Rohren).
- Verwenden Sie kompatible flexible Rohre mit geeigneten Verbindungen (z. B. PEX-, PE- oder PP-Rohre). Vermeiden Sie es, die Rohre bei der Installation zu verdrehen.
- **NICHT** installieren oder verwenden, wenn eine Klemmbuchse oder eine andere Komponente fehlt. Wenden Sie sich unter der Rufnummer +1-866-990-9785 an uns oder an Ihren örtlichen Händler.
- Verwenden Sie das Produkt **NICHT**, wenn es angeschlagen, fallen gelassen oder beschädigt wurde.
- Die **FILTERKARTUSCHE MUSS** spätestens alle 6 oder 12 Monate **AUSGETAUSCHT** werden. Die Filterkartusche muss zu den angegebenen Zeitpunkten ersetzt werden, da sonst wegen auslaufenden Wassers oder Überflutung Sachschäden verursacht werden können.
- Überprüfen Sie das System regelmäßig auf eine einwandfreie Funktion, stellen Sie sicher, dass Filterkartuschen rechtzeitig ausgetauscht werden, und alle Rohre und Armaturen sicher sitzen und keine Undichtigkeiten aufweisen.

Das Leistungsdatenblatt finden Sie unter [3M.com/waterquality](http://3M.com/waterquality) oder wenden Sie sich unter 1-866-990-9785 an 3M.

Wenden Sie sich für zusätzliche Produktinformationen, einschließlich Produkthandbuch und Datenblätter, unter 1-866-990-9785 an 3M.

Weitere Informationen zu Ersatzkartuschen finden Sie unter [3M.com/waterquality](http://3M.com/waterquality).

## WICHTIGE HINWEISE:

- Eine Nichtbefolgung der Anweisungen führt zu einem Garantieverfall.
- Lassen Sie mindestens 7,62 cm (3<sup>4</sup>) Freiraum unter dem Filter, um den Austausch der Kartusche zu erleichtern.

### Informazioni relative alla sicurezza

Leggere e seguire tutte le istruzioni e le informazioni sulla sicurezza relative al prodotto prima di utilizzare questo sistema di manutenzione per la ristorazione e la cartuccia sostitutiva. Conservare queste istruzioni come riferimento futuro.


#### Uso previsto e selezione del prodotto:

Il sistema di filtrazione dell'acqua, serie 3M™ High Flow filtra l'acqua potabile per le attrezzature, gli elettrodomestici, i rubinetti ed è noto come sistema per punti di utilizzo. Il sistema è progettato per essere collegato a un apparecchio per l'acqua potabile o all'attrezzatura per la ristorazione o per essere installato sotto un lavandino collegato alla tubazione di mandata dell'acqua fredda del rubinetto dell'acqua potabile. Questo prodotto deve essere collegato a un sistema di erogazione idrica potabile privato.

Il sistema di filtrazione dell'acqua serie 3M™ High Flow è stato testato e certificato in base allo standard NSF/ANSI 42 e 53 per la riduzione delle sostanze elencate nella Scheda tecnica del sistema. Il sistema non riduce tutte le sostanze che possono essere presenti nell'acqua. Verificare che questo sistema soddisfi le esigenze di trattamento dell'acqua controllando la qualità dell'acqua in ingresso prima dell'installazione e confrontandola con le capacità del sistema definite nella Scheda tecnica.

Il sistema di filtrazione dell'acqua serie 3M™ High Flow deve essere installato e sottoposto a manutenzione come specificato nelle istruzioni per l'installazione e in conformità ai codici e ai regolamenti locali relativi agli impianti idraulici. Il sistema deve essere installato da un professionista qualificato.

#### Spiegazione delle conseguenze dei termini di segnalazione

 <b>AVVERTENZA:</b>	Indica una situazione pericolosa, che se non evitata potrebbe provocare la morte o gravi lesioni.
<b>AVVISO:</b>	Indica una situazione che, se non evitata, potrebbe provocare danni materiali.

#### **AVVERTENZA:**

**Leggere l'intero manuale del prodotto. Il mancato rispetto di tutte le istruzioni e le avvertenze del prodotto può causare lesioni personali da esposizione a contaminanti e/o danni alla proprietà dovuti a perdite d'acqua o allagamenti.**

- **NON** usare con acqua microbiologicamente non sicura o di qualità sconosciuta senza un'adeguata disinfezione a monte e a valle del sistema. I sistemi certificati per la riduzione di cisti possono essere utilizzati in acqua disinfettata che può contenere cisti filtrabili.
- **IL SISTEMA NON RIMUOVE TUTTE LE SOSTANZE CHE POTREBBERO ESSERE PRESENTI NELL'ACQUA POTABILE.**  
Il sistema riduce le sostanze elencate identificate nella Scheda tecnica.
- **VERIFICARE CHE QUESTO SISTEMA** soddisfi le esigenze di trattamento dell'acqua controllando la qualità dell'acqua in ingresso e confrontandola con le capacità del sistema definite nella Scheda tecnica. Controllare la qualità dell'acqua in ingresso contattando il gestore idrico locale e/o facendo testare l'acqua da un laboratorio qualificato. Controllare regolarmente la qualità dell'acqua in quanto può variare. Dopo l'installazione, testare regolarmente la qualità dell'acqua filtrata in uscita per assicurarsi che il sistema sia installato correttamente e che soddisfi le esigenze di trattamento, specialmente se l'acqua in entrata dal filtro o il sistema idraulico possono avere elevati livelli di contaminanti. Le prestazioni effettive possono variare a seconda dell'acqua locale, delle condizioni idrauliche e dei modelli di consumo dell'acqua.
- **NON** utilizzare il prodotto se è stato sottoposto a urti, caduta o danni.
- Prima dell'uso, irrigare con acqua ogni cartuccia del filtro nuova secondo la Scheda tecnica. Inoltre, irrigare la cartuccia ogni volta che il sistema non viene utilizzato per oltre 72 ore.
- **SOSTITUIRE LA CARTUCCIA DEL FILTRO** al massimo ogni 12 mesi. Se si raggiunge la capacità nominale di litri o si verifica una notevole riduzione della portata, un'alterazione dell'odore o del sapore prima dei 12 mesi di utilizzo, sostituire subito il filtro. La mancata osservanza di queste istruzioni nella sostituzione della cartuccia del filtro può causare problemi di filtraggio e di riduzione dei contaminanti E/O danni alla proprietà dovuti da perdite d'acqua o allagamenti.

**Per ridurre i rischi associati al soffocamento:**

- **IMPEDIRE** l'accesso ai componenti piccoli ai bambini di età inferiore ai 3 anni.

## AVVISO:

**Leggere l'intero manuale del prodotto. Il mancato rispetto di tutte le istruzioni relative al prodotto può causare danni alla proprietà dovuti a perdite d'acqua o allagamenti. Se non si è sicuri riguardo a qualsiasi delle seguenti istruzioni, contattare un idraulico provvisto di licenza:**

- L'installazione e l'uso del sistema devono rispettare tutti i regolamenti nazionali e locali relativi agli impianti idraulici.
- Pressione di mandata dell'acqua: Se la pressione di mandata dell'acqua è maggiore di 552 kP (80 psi), prima di installare il sistema è necessario installare una valvola di riduzione della pressione.
- Colpo d'ariete: in presenza di queste condizioni, è necessario installare un ammortizzatore di colpo d'ariete.
- Antiriflusso: se su un impianto idraulico è installato un dispositivo antiriflusso, è necessario installare un dispositivo per il controllo della pressione dovuta a dilatazione termica.
- Pompa ausiliaria: se su un impianto idrico è installata una pompa ausiliaria, occorre: (a) sottoporre regolarmente a manutenzione e ispezione il pressostato collegato, in conformità con le istruzioni del produttore della pompa ausiliaria; (b) installare una valvola riduttrice di pressione adeguata, da sottoporre regolarmente a manutenzione e ispezione.
- Quando si installa il sistema, scegliere un punto in cui (a) il filtro non venga colpito da altri elementi, (b) non vi siano cavi elettrici o tubi accanto agli strumenti di perforazione e (c) i dispositivi di fissaggio sostengano il peso del sistema una volta che questo è pieno d'acqua.
- Installare solo sulla tubazione di mandata dell'acqua fredda. **NON** installare nel caso in cui la temperatura ambiente o quella dell'acqua superi i 37,8° C (100°F). **NON** installare sotto luce solare diretta o all'aperto.
- Proteggere dal congelamento. Rimuovere la cartuccia del filtro in caso di probabilità che la temperatura scenda al di sotto dei 4,4° C (40° F).
- **NON** installare con tubi rigidi (come tubi in rame, alluminio, acciaio inossidabile, cromati o anodizzati).
- Utilizzare tubi flessibili compatibili con connessioni appropriate (come tubi in PEX, PE o PP). Evitare di attorcigliare i tubi durante l'installazione.
- **NON** installare né utilizzare in assenza dell'anello di serraggio o di qualsiasi altro componente. Contattare 1-866-990-9785 o il distributore locale.
- **NON** utilizzare il prodotto se è stato sottoposto a urti, caduta o danni.
- **SOSTITUIRE LA CARTUCCIA DEL FILTRO** al massimo ogni 6 o 12 mesi. La mancata sostituzione della cartuccia del filtro al momento richiesto può causare danni alla proprietà dovuti a perdite d'acqua o allagamenti.
- Ispezionare regolarmente per verificare che il sistema funzioni correttamente, che le cartucce del filtro vengano sostituite tempestivamente e che tutti i tubi e i raccordi siano sicuri e privi di perdite.

Per la scheda tecnica delle prestazioni visitare [3M.com/waterquality](http://3M.com/waterquality) o contattare 3M al numero 1-866-990-9785.

Per ulteriori informazioni sul prodotto, compreso il manuale del prodotto e le schede tecniche, contattare 3M al numero 1-866-990-9785.

Per ulteriori informazioni sulla sostituzione delle cartucce, visitare [3M.com/waterquality](http://3M.com/waterquality).

## NOTE IMPORTANTI:

- Il mancato rispetto delle istruzioni renderà nulla la garanzia.
- Lasciare uno spazio libero di almeno 7,62 cm (3") sotto il filtro per semplificarne la sostituzione.

### *Información de seguridad*

**Lea y observe todas las instrucciones del producto e información de seguridad antes de usar este Sistema de servicio de alimentos y cartucho de repuesto. Guarde las instrucciones para referencia futura.**

### **Uso sugerido y selección de productos:**

El sistema de filtración de agua serie High Flow 3M™ filtra el agua potable para su equipo de servicio de alimentos, electrodomésticos o grifos, también es conocido como sistema de punto de uso. El sistema fue diseñado para conectarse a un aparato de agua potable o equipo de servicio de alimentos o para instalarse debajo del fregadero conectado a su línea de suministro de agua fría del grifo de agua potable. Este producto se debe conectar a un sistema de suministro de agua potable público o privado.

El sistema de filtración de agua serie High Flow 3M™ está probado y certificado según las normas 42 y 53 de NSF/ANSI para la reducción de sustancias enumeradas en la hoja de datos de rendimiento del sistema. El sistema no reduce todas las sustancias que puede contener su agua. Verifique que este sistema cumpla con sus necesidades de tratamiento de agua al revisar la calidad de su agua entrante antes de la instalación y compararla con las capacidades del sistema indicadas en la hoja de datos de rendimiento.

El sistema de filtración de agua serie High Flow 3M™ se debe instalar y debe darle mantenimiento según las especificaciones de las instrucciones de instalación y en cumplimiento con los códigos y reglamentos de fontanería local que apliquen. Un profesional calificado debe instalar el sistema.

<b>Explicación de las consecuencias de las palabras de señalización</b>	
<b>⚠ ADVERTENCIA:</b>	Indica una posible situación de peligro que, si no se evita, podría ocasionar la muerte o lesiones graves.
<b>AVISO:</b>	Indica una situación que, si no se evita, podría provocar daños a la propiedad.

<b>⚠ ADVERTENCIA:</b>	
<p><b>Lea todo el manual del producto. Si no observa todas las instrucciones y advertencias del producto puede provocar lesiones personales por exposición a contaminantes o daños a la propiedad por fugas de agua o inundaciones.</b></p> <ul style="list-style-type: none"> <li>• <b>NO</b> lo use con agua que no es microbiológicamente segura o de calidad desconocida sin la desinfección adecuada antes o después del sistema. Se pueden usar sistemas certificados para la reducción de quistes en agua desinfectada que pueda contener quistes filtrables.</li> <li>• <b>EL SISTEMA NO ELIMINA TODAS LAS SUSTANCIAS QUE PUEDE CONTENER EL AGUA POTABLE.</b> Este sistema reduce las sustancias enumeradas identificadas en la hoja de datos de rendimiento.</li> <li>• <b>VERIFIQUE QUE ESTE SISTEMA</b> cumpla con sus necesidades de tratamiento de agua revisando la calidad de la fuente de agua entrante y comparándola con las capacidades del sistema indicadas en la hoja de datos de rendimiento. Comuníquese con la autoridad local encargada del suministro de agua o haga analizar el agua por un laboratorio calificado para evaluar la calidad de la fuente de agua. Analice la calidad del agua regularmente porque esta puede cambiar. Después de la instalación, controle la calidad del agua filtrada con regularidad para asegurarse de que el sistema esté instalado correctamente y satisfaga sus necesidades de tratamiento, sobre todo si el agua que ingresa en el filtro o sistema de tuberías puede tener niveles altos de contaminación. El rendimiento real puede variar dependiendo de las condiciones locales del agua y de las tuberías, así como de los patrones de consumo de agua.</li> <li>• <b>NO</b> utilice el producto si está golpeado, dañado o si lo dejó caer.</li> <li>• Antes de utilizarlo, enjuague con agua el cartucho del filtro nuevo de conformidad con la hoja de datos de rendimiento. Además, enjuague el cartucho si no ha utilizado el sistema por más de 72 horas.</li> <li>• <b>REEMPLACE EL CARTUCHO DEL FILTRO</b>, a más tardar, cada 6 o 12 meses. Si se alcanza la capacidad calificada en galones o se produce una reducción considerable del caudal de flujo, o si hay cambios de olor o sabor antes de los 6 o 12 meses de uso, reemplace el filtro cuanto antes. Si no reemplaza el cartucho según estas instrucciones, puede provocar que el filtro no reduzca los contaminantes según fue diseñado O pueden producirse daños a los bienes debido a fugas de agua o inundaciones.</li> </ul> <p><b>Para reducir el riesgo de asfixia:</b></p> <ul style="list-style-type: none"> <li>• <b>NO</b> permita que niños menores de 3 años de edad tengan acceso a las piezas pequeñas.</li> </ul>	

<b>AVISO:</b>	
<p><b>Lea todo el manual del producto. Si no sigue todas las instrucciones del producto puede provocar daños a la propiedad debido a fugas de agua o inundaciones. Comuníquese con un fontanero certificado si no está seguro de cualquiera de las instrucciones siguientes:</b></p> <ul style="list-style-type: none"> <li>• La instalación y el uso deben cumplir con todas las reglas y códigos de fontanería estatales y locales.</li> <li>• Presión del suministro de agua: Si la presión de suministro de agua excede 80 psi, debe instalar una válvula reductora de presión antes de instalar el sistema.</li> <li>• Golpe de ariete: si ocurren condiciones de golpe de ariete, debe instalar un supresor de golpes de ariete.</li> <li>• Prevención de contraflujo: Si se instala un dispositivo de prevención de contraflujo en un sistema de agua, debe instalar un dispositivo de control de presión debido a la expansión térmica.</li> <li>• Bomba de refuerzo: si se instala una bomba de refuerzo en un sistema de agua, debe (a) mantener e inspeccionar regularmente el interruptor de presión conectado de acuerdo con las instrucciones del fabricante de la bomba de refuerzo; y (b) instalar una válvula reductora de presión apropiada, así como mantener e inspeccionar dicha válvula periódicamente.</li> </ul>	

### AVISO:

- Cuando coloque el sistema, elija una ubicación en donde (a) otros aparatos no golpeen el filtro, (b) no haya equipo, cables eléctricos o tubos en el trayecto del taladro o herramientas y (c) los afianzadores sostengan el peso del sistema cuando esté lleno de agua.
- Instale solo en una línea de suministro de agua fría. **NO** lo instale en donde las temperaturas del agua o del ambiente excedan 100 °F (37.8 °C). **NO** lo instale bajo la luz directa del sol o en el exterior.
- Proteja del congelamiento. Quite el cartucho si hay probabilidades de que la temperatura descienda a menos de 40 °F (4.4 °C).
- **NO** lo instale con tubería rígida (como cobre, aluminio, acero inoxidable, tubería cromada o anodizada).
- Use tubería flexible compatible con conexiones apropiadas (como tubos de PEX, PE o PP). Evite torcerlo durante la instalación.
- **NO** lo instale ni lo use si le hace falta una boquilla o cualquier otro componente. Comuníquese al 1-866-990-9785 o con su distribuidor local.
- **NO** utilice el producto si está golpeado, dañado o si lo dejó caer.
- **REEMPLACE EL CARTUCHO DEL FILTRO**, a más tardar, cada 6 o 12 meses o antes. Si no reemplaza el cartucho del filtro en el tiempo requerido, puede provocar daño a los bienes debido a fugas de agua o inundaciones.
- Inspeccione regularmente para asegurarse de que el ana ls funciona adecuadamente, de reemplazar los filtros oportunamente y de que toda la tubería y los conectores estén bien asegurados y no tengan fugas.

Para obtener la hoja de datos de rendimiento ingrese a [3M.com/waterquality](http://3M.com/waterquality) o contacte a 3M al 1-866-990-9785.

Para obtener información adicional acerca del producto, incluido el manual y la hoja de especificaciones del producto, contacte a 3M al 1-866-990-9785.

Para obtener información adicional acerca del cambio de cartucho ingrese a [3M.com/waterquality](http://3M.com/waterquality).

### NOTAS IMPORTANTES:

- Si no sigue las instrucciones anulará la garantía.
- Deje un espacio de un mínimo de 3" (7.62 cm) debajo del filtro para facilitar el cambio del filtro.

### *Veiligheidsinformatie*

**Lees en volg alle productinstructies en veiligheidsinformatie alvorens deze vervangende filtercartridge ana l foodservicesysteem te gebruiken. Bewaar deze instructies om ze later te kunnen raadplegen.**


### **Beoogd gebruik en productselectie:**

Het 3M™ High Flow waterfiltratiesysteem filtert drinkwater voor uw foodservice-apparatuur, -toestel of -kraan, en ana ls k wel een 'point-of-use'-systeem genoemd. Het ana l is ontworpen om op drinkwater- of foodservice-apparatuur te worden aangesloten, of om onder een wasbak aan de koudwatertoevoerleiding van uw drinkwaterkraan te worden gemonteerd. Dit product dient op een openbaar of privaat ana l voor drinkwatervoorziening te worden aangesloten.

Het 3M™ High Flow waterfiltratiesysteem is getest en gecertificeerd conform de NSF/ANSI-standaarden 42 en 53 met betrekking tot de vermindering van in het blad met prestatiegegevens bij het ana l vermelde ana ls. Het ana l vermindert niet alle mogelijk in uw drinkwater aanwezige ana ls. Controleer of dit ana l aan uw behoeften op het gebied van waterbehandeling voldoet door alvorens het ana l te monteren de kwaliteit van de bron van uw binnenkomende water te verifiëren en deze kwaliteit met de in het blad met prestatiegegevens vermelde capaciteiten van het ana l te vergelijken.

Het 3M™ High Flow waterfiltratiesysteem moet worden gemonteerd en onderhouden zoals gespecificeerd in de montage-instructies en conform de toepasselijke plaatselijke sanitaire voorschriften en regelgeving. Het ana l moet door een gekwalificeerde professional worden gemonteerd.

### Uitleg over de gevolgen van signaalwoorden

 <b>WAARSCHUWING:</b>	Geeft een gevaarlijke situatie aan die, indien deze niet wordt vermeden, ernstig letsel of overlijden tot gevolg kan hebben.
<b>KENNISGEVING:</b>	Geeft een situatie aan die, indien deze niet wordt vermeden, materiële schade tot gevolg kan hebben.

## WAARSCHUWING:

Lees de volledige producthandleiding. Het niet naleven van deze productinstructies en waarschuwingen kan als gevolg van blootstelling aan verontreinigende stoffen of lichamelijke letsel tot gevolg hebben, en/of kan als gevolg van waterlekage of overstroming materiële schade veroorzaken.

- **NIET** gebruiken met water dat vanuit microbiologisch standpunt onveilig of van onbekende kwaliteit is zonder het systeem op voorhand en achteraf afdoende te ontsmetten. Systemen die zijn gecertificeerd voor kiemvermindering kunnen worden gebruikt met gedesinfecteerd water dat mogelijk filterbare kiemen bevat.
- **HET SYSTEEM VERWIJDERT NIET ALLE MOGELIJK IN UW DRINKWATER AANWEZIGE STOFFEN.** Het systeem zorgt voor vermindering van de in het blad met prestatiegegevens vermelde stoffen.
- **CONTROLEER OF DIT SYSTEEM** aan uw behoeften op het gebied van waterbehandeling voldoet door de kwaliteit van de bron van het binnenkomende water te controleren en deze te vergelijken met de in het blad met prestatiegegevens vermelde systeemcapaciteiten. Controleer de kwaliteit van de waterbron door contact op te nemen met uw plaatselijke waterkwaliteitsbeheerder en/of het water door een gekwalificeerd laboratorium te laten testen. Zorg ervoor dat u de waterkwaliteit regelmatig laat controleren, aangezien deze aan verandering onderhevig is. Test de kwaliteit van het uitgaande water na de installatie regelmatig om te waarborgen dat het systeem correct is geïnstalleerd en voldoet aan uw eisen op het gebied van waterbehandeling, in het bijzonder als het water dat via uw filter binnenkomt of uw afvoersysteem te kampen heeft met een sterke vervuilingsgraad. De daadwerkelijke prestaties kunnen afhankelijk van de plaatselijke wateromstandigheden, het afvoersysteem en waterconsumptiepatronen verschillen.
- Het product **NIET** gebruiken als het gevallen of beschadigd is, of ertegenaan gestoten is.
- Spoel elke nieuwe filtercartridge voorafgaand aan gebruik met water in overeenstemming met de instructies die op het blad met prestatiegegevens vermeld zijn. Daarnaast dient u de cartridge te spoelen als het systeem meer dan 72 uur niet is gebruikt.
- **VERVANG DE FILTERCARTRIDGE** uiterlijk elke 6 tot 12 maanden. Vervang de filter onmiddellijk als de nominale capaciteit in gallons is bereikt, of als er binnen 6 tot 12 maanden een waarneembare verandering van de geur of de smaak optreedt. Het niet vervangen van de filtercartridge in overeenstemming met deze instructies kan ervoor zorgen dat het filter de verontreinigingen niet vermindert zoals beoogd, EN/OF kan materiële schade door waterlekage of overstroming tot gevolg hebben.

**Op de volgende wijze kunt u het risico op verstikking beperken:**

- **HOUD KINDEREN** jonger dan 3 jaar uit de buurt van kleine onderdelen.

## KENNISGEVING:

Lees de volledige producthandleiding. Het niet volgen van alle productinstructies kan materiële schade door waterlekage of overstroming tot gevolg hebben. Neem contact op met een bevoegde loodgieter als u de volgende instructies niet volledig begrijpt:

- De montage en het gebruik van het systeem **MOETEN** in overeenstemming zijn met alle nationale en plaatselijke sanitaire voorschriften en regelgeving.
- **Waterdruk:** Als de waterdruk hoger dan 80 psi is, moet u een drukkbeperkende klep monteren voordat u het systeem monteert.
- **Waterslagdemper:** als waterslagverschijnselen optreden, dient u een waterslagdemper te monteren.
- **Terugstroompreventie:** Als op het watersysteem een terugstroombeveiliging wordt gemonteerd, dient u vanwege thermische uitzetting een drukkbeperker te monteren.
- **Aanjaagpomp:** als een aanjaagpomp op het watersysteem wordt gemonteerd, moet u (a) de aan de pomp bevestigde drukregelaar regelmatig onderhouden en inspecteren in overeenstemming met de bij de aanjaagpomp meegeleverde instructies van de fabrikant, en (b) een geschikte drukverlagende klep monteren en deze regelmatig onderhouden en inspecteren.
- **Zorg ervoor dat, als u het systeem monteert, u een locatie kiest waar (a) het filter niet door andere voorwerpen kan worden geraakt, (b) zich geen apparatuur, elektrische bedrading of leidingen in het pad van de boorapparatuur- of hulpmiddelen bevinden, en (c) de bevestigingen het gewicht van het systeem kan dragen als het vol met water zit.**
- **Uitsluitend op de koudwatertoevoerleiding installeren. NIET** monteren op een plek met een omgevingstemperatuur boven 37,8 °C (100 °F). **NIET** monteren in direct zonlicht of buiten.
- **Beschermen tegen bevriezing.** Verwijder de filtercartridge indien de temperatuur onder 4,4 °C (40 °F) daalt.
- **NIET** monteren op stijve leidingen (zoals koperen, aluminium, roestvrij stalen, verchroomde of geanodiseerde leidingen).

## KENNISGEVING:

- Gebruik compatibele flexibele leidingen met geschikte aansluitingen (zoals PEX-, PE-en PP-leidingen). Vermijd het draaien van de leidingen tijdens de montage.
  - **NIET** monteren of gebruiken als een spanbus of ander onderdeel ontbreekt. Bel 1-866-990-9785 of neem contact op met uw plaatselijke distributeur.
  - Het product **NIET** gebruiken als het gevallen of beschadigd is, of ertegenaan gestoten is.
  - **VERVANG DE FILTERCARTRIDGE** uiterlijk elke 6 tot 12 maanden, of eerder. Het niet vervangen van de filtercartridge wanneer dit nodig is, kan materiële schade door waterlekage of overstroming tot gevolg hebben.
  - Inspecteer het systeem regelmatig om te controleren of het systeem op de juiste wijze functioneert, filtercartridges op tijd zijn vervangen en alle leidingen en koppelstukken goed vastzitten en lekkagevrij zijn.
- Ga voor de prestatiegegevens naar [3M.com/waterquality](http://3M.com/waterquality) of neem contact op met 3M via 1-866-990-9785.

Voor aanvullende productinformatie, waaronder producthandleidingen en -specificaties, kunt u via 1-866-990-9785 contact opnemen met 3M.

Aanvullende informatie over het vervangen van cartridges vindt u op [3M.com/waterquality](http://3M.com/waterquality).

## BELANGRIJKE OPMERKINGEN:

- Door het niet volgen van de instructies vervalt de garantie.
- Zorg voor minimaal 7,62 cm (3 inch) vrije ruimte onder het filter, zodat het gemakkelijker kan worden vervangen.

### 安全に関する情報

このフード・サービス・システムおよび交換用カートリッジをご使用になる前に必ず、製品の取扱説明書および安全情報をすべて読み、その内容に従ってください。取扱説明書は大切に保管し、必要に応じて参照してください。

### 用途と製品の選定について：

3M™ High Flow Series Water Filtration System (3M™高流量水濾過装置)は食品サービス機器、電気器具、水道の蛇口などで飲料水を濾過する装置であり、使用現場設置式システムとしても知名度の高い製品です。本製品は、飲料水電気器具や食品サービス機器に配管接続で取り付ける、あるいは飲料水用の蛇口の冷水供給管がつながっているシンク下に取り付ける設計になっています。本製品は公共または私用の飲料水供給システムに接続するためのものです。

3M™ High Flow Series Water Filtration System (3M™高流量水濾過装置)は、本製品の性能データシートに掲載されている物質の低減に関して、NSF/ANSI規格42および53の試験を通過し、認定を受けています。本製品はご利用の水の中に存在しうるすべての物質を低減するものではありません。本装置を取り付ける前に、供給されている水の水質をチェックし、性能データシートに記載されている本製品の能力と比較して、本製品が希望する水処理ニーズと合っているか確認してください。

3M™ High Flow Series Water Filtration System (3M™高流量水濾過装置)は必ず、設置に関する取扱説明書の内容に従い、さらに地域の該当する配管規則や規制に従って設置し、保全作業を実施してください。

本製品の設置は有資格者が行う必要があります。

## シグナルワードの重大性についての説明

<b>⚠ 警告：</b>	回避しなかった場合、重傷または死亡に至る恐れのある危険な状況を示しています。
<b>注意：</b>	回避しなかった場合、物的損害が発生しうる状況を示しています。

### ⚠ 警告：

製品マニュアルは全文をお読みください。すべての製品マニュアルおよび警告に従わない場合、汚染物質への曝露による人体損傷、あるいは水漏れまたは浸水などによる物的損害を引き起こす恐れがあります。

- 微生物学的に安全でない水や水質の不明な水を使用する場合は、本製品の使用前に十分な殺菌を行ってください。シストの低減が証明されているシステムでは、濾過可能なシストを含有する可能性のある殺菌水を使用できる場合があります。

- 本製品は飲料水の中に存在しうるすべての物質を除去するものではありません。本製品は性能データシートに掲載した物質を低減するものです。

## ⚠ 警告 :

- 供給元である水源の水質をチェックし、性能データシートに詳述されている本製品の能力と比較して、**本製品**が希望する水処理ニーズと合っているか**確認してください**。水源の水質チェックは、地域の水道局に問い合わせるか、認可を受けている試験業者に水質検査を依頼してください。水質は変化することがありますので、定期的にチェックしてください。設置後は、定期的にろ過水の水質を検査し、システムが正しく設置されているか、お客様の処理ニーズを満たしているかを確認してください。特に、フィルターに入ってくる水や配管システムの汚染度が高い可能性がある場合は、注意が必要です。実際の性能は、地域の水の状態や配管の状態、さらに水の消費パターンにより異なる場合があります。
- 追突、落下、破損した製品は使用しないでください。
- 使用前に、性能データシートに従って新しいフィルターカートリッジに水を流してください。また、本製品を72時間以上使用しなかった場合は、必ず、カートリッジに水を流してください。
- 遅くとも6か月または12か月ごとに**フィルターカートリッジを交換してください**。定格ガロン容量に達した場合や、6か月または12か月の使用前に、流量の顕著な減少、臭いや味の変化が生じた場合は、速やかにフィルターを交換してください。こうした取扱説明に従わずフィルターカートリッジを交換しなかった場合、フィルターは、設計どおりに汚染物質を低減できなくなったり、水漏れや浸水による物的損害を引き起こす恐れがあります。

### 窒息リスクを軽減させるため :

- 小さな部品を3歳未満の子供の手の届く範囲に置かないでください。

## 注意 :

**製品マニュアルは全文をお読みください。すべての製品マニュアルに従わない場合、水漏れまたは浸水などによる物的損害を引き起こす恐れがあります。以下の取扱説明がよく分からない場合には、免許を有する配管技能者にお問い合わせください。**

- 製品マニュアルは全文をお読みください。すべての製品マニュアルに従わない場合、水漏れまたは浸水などによる物的損害を引き起こす恐れがあります。以下の取扱説明がよく分からない場合には、免許を有する配管技能者にお問い合わせください。
- 本製品の設置と使用にあたっては、自治体や地域の規制および配管規則にすべて従う必要があります。
- 給水圧力：水圧が552 kPa (80 psi) を超える場合は、本製品を設置する前に圧力制限バルブを必ず設置してください。
- 水撃作用（ウォーターハンマー）：水撃作用が発生する恐れのある場合、必ず水撃防止器を取り付けてください。
- 逆流防止：逆流防止器が給水システムに設置されている場合、熱膨張による圧力の制限装置を必ず取り付けてください。
- ブースターポンプ：給水システムにブースターポンプが取り付けられている場合、(a) ブースターポンプのメーカーが発行する取扱説明書に従い、付いている圧力スイッチを必ず定期的に保守および点検してください。さらに、(b) 必ず適切な圧力制限バルブを設置し、バルブを定期的に保守および点検してください。
- 本製品を取り付ける場所は、次の点に配慮してお選びください。(a) フィルターが他の物にぶつからない場所、(b) 機器類、電気配線、配管がドリルによる穴開けや工具類の経路を妨げない場所、かつ、(c) 水を最大限に流したときに本製品の重さを留め具がしっかり支えられる場所。
- 冷水の給水管のみに設置してください。周囲温度または水温が100°F (37.8°C) を超える可能性がある場所には、設置しないでください。直射日光を避け、屋外には設置しないでください。
- 凍結を防止してください。気温が40°F (4.4°C) を下回る可能性がある場合は、フィルターカートリッジを取り外してください。
- 剛性の配管（銅、アルミニウム、ステンレス鋼、クロムメッキ、アルマイトなど）は設置しないでください。
- 適切な接続ができる互換性のあるフレキシブル管を使用してください（PEX管、PE管、PP管など）。取り付ける際にねじらないようにしてください。
- コレットやその他部品が紛失している場合には、設置したり使用したりしないでください。電話番号（1-866-990-9785）または最寄りの販売店までお問い合わせください。
- 追突、落下、破損した製品は使用しないでください。
- 6か月または12か月に一回、ないしはそれ以上の頻度で**フィルターカートリッジを交換してください**。所定の要求時期にフィルターカートリッジを交換しなかった場合、水漏れまたは浸水などによる物的損害を引き起こす恐れがあります。



### 注意：

- 本製品が適切に機能しているか、フィルターカートリッジが適時に交換されているか、配管や固定具はすべてしっかり締められていて漏れがないかなど、定期的に点検してください。

性能データシートについては、3M.com/waterqualityにアクセスいただくか、3M（電話：1-866-990-9785）までお問い合わせください。

製品マニュアルやスペックシートを含むその他の製品情報については、3M（電話：1-866-990-9785）にお問い合わせください。

カートリッジ交換の詳細については、3M.com/waterqualityをご覧ください。

### 重要な注記：

- 取扱説明事項に従わなかった場合、保証が無効になります。
- フィルター交換が簡単にできるように、フィルター下方に少なくとも3" (7.62 cm) の空間を設けてください。

### 安全信息

在使用本餐饮服务系统和替换滤筒之前，请阅读并遵循所有产品说明和安全信息。请保留这些说明以备将来参考。

### 预期用途和产品选择：

3M™ 高流量系列水过滤系统为您的餐饮服务设备、器具或水龙头过滤饮用水，也称为使用点系统。该系统被设计成使用管道接入饮用水器具或餐饮服务设备，或安装在水槽下，与饮用水龙头冷水供水管路相连。本产品应连接到公共或专用饮用水供应系统。

3M™ 高流量系列水过滤系统已通过 NSF/ANSI 标准 42 和 53 的测试和认证，可减少系统性能数据表中列出的物质。该系统不会减少水中可能存在的所有物质。通过在安装前检查进水水质并与性能数据表中列出的系统能力进行比较，验证该系统是否符合您的水处理需求。

3M™ 高流量系列水过滤系统的安装和维护必须符合安装说明的规定，并符合适用的当地管道施工规范和条例。系统必须由合格的专业人员安装。

### 信号词后果解释

<b>⚠ 警告：</b>	表示如果不加以避免可能导致重伤或死亡的危险情况。
<b>注意：</b>	表示如果不加以避免可能导致财产损失的情况。

### ⚠ 警告：

请阅读整本手册。未能遵守所有产品说明和警告可能会导致因接触污染物而造成人身伤害和/或因漏水或溢流而造成财产损失。

- 切勿在系统上游或下游使用微生物不安全或品质未知且未进行充分消毒的水。经认证可减少囊胞的系统可在包含可过滤囊胞的经过消毒的水中使用。
- 该系统不会清除引用水中可能存在的所有物质。该系统可减少性能数据表中列出的物质。
- 通过检查进水水质并与性能数据表中描述的系统能力进行比较，**验证该系统**是否符合您的水处理需求。通过联系当地水务管理局和/或由有资质的实验室对水进行测试来检查水源质量。定期检查水质，因为它可能发生变化。安装完毕后，定期测试出水过滤水质，确保系统安装正确，并符合您的处理需求，特别是如果您的过滤器的进水或管道系统可能存在较高的污染物水平。实际性能可能因您当地的水和管道系统条件以及用水模式而异。
- 切勿在产品遭受撞击、坠落或损坏后使用产品。
- 使用前，根据性能数据表用水冲洗任一新滤筒。此外，只要系统未使用的时间超过 72 小时，就要冲洗滤筒。
- **更换滤筒**的间隔不能超过 6 个月或 12 个月。如果在使用不到 6 个月或 12 个月时达到额定加仑容量或流速明显降低、气味或味道发生变化，请立即更换过滤器。未能按照这些说明更换滤筒可能导致过滤器无法按照设计减少污染物和/或因漏水或溢流而造成财产损失。

### 为降低窒息的危险：

- 切勿让 3 岁以下儿童接触小零件。

### 注意：

**请阅读整本手册。未能遵守所有产品说明可能会因漏水或溢流而导致财产损失。如对以下任何说明有不肯定之处，请联系持牌管道工：**

- 系统安装和使用必须符合所有州和地方法规以及管道施工规范。
- 供水压力：如供水压力高于 80 psi，须在安装系统之前安装减压阀。
- 水锤：如果可能发生水锤现象，须安装水锤防护装置。
- 防止回流：如果在供水系统上安装了防回流装置，则须安装一个用于控制因热膨胀而产生的压力的装置。
- 增压泵：如果供水系统上安装了增压泵，则须 (a) 按照增压泵制造商的说明定期维护和检查所连接的压力开关；和 (b) 安装相应的减压阀，并定期维护和检查该阀门。
- 安装系统时，挑选一个满足以下条件的位置：(a) 过滤器不会被其他物品撞击；(b) 设备、电线或管道不会进入钻孔或工具的路径；(c) 充满水时，紧固件将支撑系统的重量。
- 仅安装在冷水供应管路上。切勿安装在室温或水温可能超过 100°F (37.8°C) 的地方。切勿安装在阳光直射或户外区域。
- 防止冰冻。如果温度可能降至 40°F (4.4°C) 以下，请拆下滤筒。
- 切勿安装刚性管（例如铜、铝、不锈钢、镀铬或阳极管）。
- 使用具有适当接头的兼容软管（例如 PEX 管、PE 管、PP 管）。安装过程中避免扭转。
  - 如果夹头或任何其他组件缺失，切勿安装或使用。请联系 1-866-990-9785 或您当地的经销商。
- 切勿在产品遭受撞击、坠落或损坏后使用产品。
- **更换滤筒**的间隔不能超过 6 个月或 12 个月，或更早。未能按规定时间更换滤筒可能导致因漏水或溢流而造成财产损失。
- 定期检查以确保系统正常运行、滤筒得到及时更换并且所有管道和配件连接牢固、没有泄漏。

如果需要质量数据表，请访问 [3M.com/waterquality](http://3M.com/waterquality) 或致电 1-866-990-9785 联系 3M。

如需其他产品信息，包括产品手册和规格表，请致电 1-866-990-9785 联系 3M。

有关滤筒更换的其他信息，请访问 [3M.com/waterquality](http://3M.com/waterquality)。

### 重要说明：

- 未能遵守说明将使保修失效。
- 在过滤器下方留出至少 3" (7.62 cm) 的净空，以便于更换过滤器。

## Inlet and Outlet Connections

The High Flow series manifold water filtration system cartridges help provide consistent high-quality water for foodservice applications.

- The water inlet is on the left-side rear.
- The water outlet is on the right-side front.
- The fitting sizes are 3/4" NPT (Male). Built in non-return valves (such as check valves) are incorporated into the outlets.
- The system capacity equals the total combined flow rate and capacity ratings for all filter cartridges.

### Raccords entrants et sortants

Les cartouches du système de filtration d'eau avec collecteur High Flow series contribuent à la fourniture d'une eau de qualité élevée constante pour les applications alimentaires.

- L'entrée d'eau se trouve à l'arrière, côté gauche.
- La sortie d'eau se trouve à l'arrière, côté droit.
- La taille des raccords est 3/4" NPT (mâle). Des clapets anti-retour intégrés (tels que des soupapes de retenue) sont incorporés dans les sorties.
- La capacité du système est égale aux valeurs nominales totales combinées de capacité et de débit pour toutes les cartouches filtrantes.

### Einlass- und Auslassanschlüsse

Die Kartuschen des High Flow Series Manifold Water Filtration Systems ermöglichen eine konstante Versorgung mit hochwertigem Wasser für Gastronomieanwendungen.

- Der Wassereinlass befindet sich hinten auf der linken Seite.
- Der Wasserauslass befindet sich vorn auf der rechten Seite.
- Die Stutzen haben eine Größe von 3/4" NPT (Außengewinde). Integrierte Rücklaufventile (z. B. Rückschlagventile) sind in den Auslässen eingebaut.
- Die Systemkapazität entspricht der kombinierten Gesamtdurchflussrate und den Kapazitätsraten für alle Filterkartuschen.

### Collegamenti di ingresso e uscita

Le cartucce del sistema di filtrazione dell'acqua a collettore della serie High Flow servono a fornire acqua di alta qualità costante per le applicazioni di ristorazione.

- L'ingresso dell'acqua è sul lato posteriore sinistro.
- L'uscita dell'acqua è sulla parte anteriore destra.
- Le dimensioni dei raccordi sono 3/4" NPT (maschio). Le valvole di non ritorno incorporate (come le valvole di controllo) sono incorporate nelle uscite.
- La capacità del sistema è uguale al totale della portata e della capacità combinate di tutte le cartucce del filtro.

## Conexiones de entrada y salida

La serie de cartuchos del sistema de filtración de agua múltiple de alto flujo ayuda a proporcionar agua de alta calidad constantemente para aplicaciones culinarias.

- La entrada de agua se encuentra en la parte trasera izquierda.
- La salida de agua se encuentra en la parte delantera derecha.
- Los tamaños de los accesorios son 3/4" NPT (macho). Las válvulas antirretorno incorporadas (como las válvulas de retención) están dentro de las salidas.
- La capacidad del sistema es igual a la tasa de flujo combinado total y las tasas de capacidad en todos los cartuchos de filtro.

### Aansluitingen voor de inlaat en de uitlaat

De cartridges van de High Flow-serie voor verdeelwaterfiltratiesystemen dragen bij aan het leveren van een consistent hoge waterkwaliteit voor cateringdoeleinden.

- De waterinlaat bevindt zich aan de achterzijde links.
- De wateruitlaat bevindt zich aan de achterzijde rechts.
- De fittingmaten zijn 3/4" NPT (mannelijk). Ingebouwde terugslagkleppen (bijvoorbeeld regelkleppen) zijn in de uitlaten geplaatst.
- De systeemcapaciteit is gelijk aan het totale gecombineerde debiet en het vermogen van alle filtercartridges.

### 日本語：入口/出口の接続

ハイフローシリーズのマニホールド浄水器カートリッジは、フードサービス用途で安定した高品質の水の提供をサポートします。

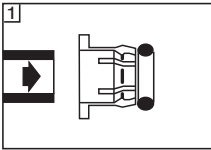
- 水の入口接続部は左側の背面にあります。
- 水の出口接続部は右側の前面にあります。
- 継手サイズは1.9 cm (3/4インチ) NPT (オス) です。出口には逆止弁 (チェックバルブなど) が内蔵されています。
- システム容量は、すべてのフィルターカートリッジの定格流量と容量の合計に等しくなっています。

### 中文：进口和出口连接

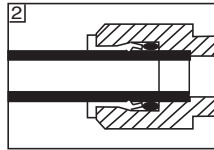
高流量系列歧管水过滤系统滤筒有助于为餐饮服务应用提供始终如一的高品质水。

- 进水口在左后方。
- 出水口在右前方。
- 配件尺寸为 3/4 "NPT (外螺纹)。出口处有内置的单向阀 (如止回阀)。
- 系统容量等于所有滤筒的总流量和容量额定值。

To Attach Tubing

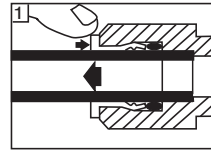


Push tubing straight in as far as it will go.

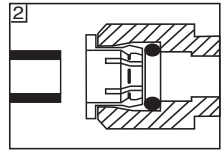


Tubing is secured in.

To Release Tubing



Push in collet to release tubing.



Pull tubing straight out.

## How to Use "Push-in" Connectors:

- Proper use of the connectors is shown in the figure above.
- Tubing must be of high quality, exact size and roundness, and with no surface nicks or scratches.
- If tubing must be cut, use a plastic tubing cutter or sharp razor knife. Make a clean square cut.
- Should a leak occur at a "Push-In" connector, the cause is usually a problem with tubing.

## To Fix:

1. Relieve pressure
2. Release tubing
3. Cut off at least 1/4" from end
4. Reattach tubing
5. Confirm connection is leak free

## Comment utiliser des raccords « Push-in » :

- L'utilisation correcte des raccords est illustrée sur la figure ci-dessus.
- Les tuyaux doivent être de bonne qualité, à la taille exacte et parfaitement ronds, sans entaille ni rayure en surface.
- Si des tuyaux doivent être coupés, utiliser un coupe-tube ou un couteau tranchant. Réaliser une découpe perpendiculaire propre.
- Si une fuite apparaît sur un raccord « Push-In », la cause est généralement un problème de tuyaux.

## Pour y remédier :

1. Évacuer la pression
2. Détacher les tuyaux
3. Couper à au moins 1/4" de l'extrémité
4. Connecter à nouveau les tubes
5. Confirmer que le raccord ne fuit pas

## Verwenden der Steckverbindungen:

- Die ordnungsgemäße Verwendung der Steckverbindungen wird in der obigen Abbildung gezeigt.
- Leitungen müssen von hoher Qualität, exakter Größe und Rundheit sein und ihre Oberfläche muss frei von Kerben oder Kratzern sein.
- Müssen Leitungen gekürzt werden, ist ein Schneider für Kunststoffleitungen oder ein scharfes Teppichmesser zu verwenden. Führen Sie einen sauberen geraden Schnitt aus.
- Tritt an einer Steckverbindung eine Undichtigkeit auf, ist dies gewöhnlich auf ein Problem mit der Leitung zurückzuführen.

## Behebung:

1. Entlasten Sie den Druck.
2. Lösen Sie die Leitung.
3. Schneiden Sie am Ende mindestens 1/4" ab.
4. Schließen Sie die Leitung wieder an.
5. Überprüfen Sie die Verbindung auf Dichtigkeit.

## Come usare i connettori "a pressione":

- L'uso corretto dei connettori è mostrato nella figura qui sopra.
- I tubi devono essere di alta qualità, con dimensioni e rotondità esatte e senza scalfitture o graffi superficiali.
- Se i tubi devono essere tagliati, utilizzare un taglierino per tubi di plastica o una lama da rasoio affilata. Fare un taglio netto e quadrato.
- Se si verifica una perdita in un connettore "a pressione", di solito la causa è un problema con i tubi.

## Correzione:

1. Alleviare la pressione
2. Rilasciare il tubo
3. Tagliare almeno 1/4" dall'estremità
4. Riattaccare il tubo
5. Verificare che il collegamento sia privo di perdita

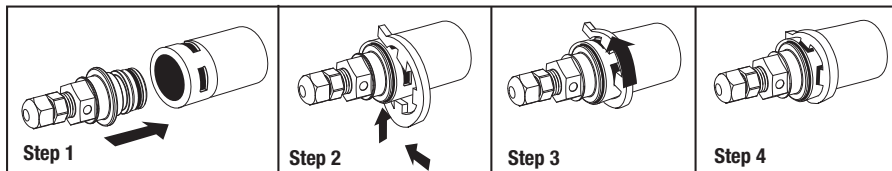
## Cómo usar los conectores "Push-in":

- El uso adecuado de los conectores se muestra en la siguiente figura.
- Las tuberías deben ser de buena calidad, del tamaño y redondez exactos y no deben tener golpes ni rasguños.
- Si es necesario cortar el tubo, use un cortador de tubos de plástico o una navaja afilada. Haga un corte limpio y cuadrado.
- Si se produce una fuga en un conector racor, la causa suele ser un problema con la tubería.

## Para arreglarlo:

1. Alivie la presión
2. Libere el tubo
3. Corte al menos 1/4" del extremo
4. Vuelva a conectar el tubo
5. Confirme que la conexión no tenga fugas

<p><b>Gebruik van 'push-in'-aansluitingen:</b></p> <ul style="list-style-type: none"> <li>• Het juiste gebruik van de aansluitingen wordt in bovenstaande afbeelding getoond.</li> <li>• Slangen moeten van hoge kwaliteit zijn, de juiste maat en ronding hebben en mogen aan de buitenkant geen inkepingen of krassen vertonen.</li> <li>• Indien slangen ingekort moeten worden, gebruik dan een slangsnijder van kunststof of een scherp scheermes. Maak een zuivere, rechthoekige snede.</li> <li>• Een lekkage bij een 'push-in'-aansluiting wordt doorgaans veroorzaakt door een probleem met een slang.</li> </ul>	<p><b>Om dit te verhelpen:</b></p> <ol style="list-style-type: none"> <li>1. Druk aflaten</li> <li>2. Slang losmaken</li> <li>3. Ten minste 1/4" van het uiteinde afsnijden</li> <li>4. Slang weer bevestigen</li> <li>5. Controleren of de aansluiting geen lekkages vertoont</li> </ol>
<p><b>日本語：「プッシュイン式」コネクターの使用方法：</b></p> <ul style="list-style-type: none"> <li>• コネクターの正しい使い方は、上の図のようになります。</li> <li>• チューブは高品質で、正確なサイズと真円度を持ち、表面に傷がない必要があります。</li> <li>• チューブを切断する必要がある場合は、プラスチックチューブカッターまたは鋭利なカミソリ刃を使用してください。綺麗な四角い切り口にします。</li> <li>• 「プッシュイン式」コネクターで漏れが発生した場合、その原因はチューブの問題であることがほとんどです。</li> </ul>	<p><b>修理方法：</b></p> <ol style="list-style-type: none"> <li>1. 圧力を抜きます。</li> <li>2. チューブを取り外します。</li> <li>3. 端から少なくとも6.5 mm (1/4インチ) を切り落とします。</li> <li>4. チューブを取り付けます。</li> <li>5. 接続部に漏れがないことを確認します。</li> </ol>
<p><b>中文：如何使用“推入式”连接器：</b></p> <ul style="list-style-type: none"> <li>• 连接器的正确使用方法如上图所示。</li> <li>• 管道必须具有高质量、精确的尺寸和圆度，并且没有表面刻痕或划痕。</li> <li>• 如果必须切割管道，请使用塑料切管器或锋利的剃刀。切割出一个平整的方形切口。</li> <li>• 如果“推入式”连接器发生泄漏，原因通常是管道问题。</li> </ul>	<p><b>如要解决这个问题：</b></p> <ol style="list-style-type: none"> <li>1. 释放压力</li> <li>2. 松开管道</li> <li>3. 从末端切下至少 1/4"</li> <li>4. 重新接上管道</li> <li>5. 确认连接无泄漏</li> </ol>



## How to Use the Inlet/Outlet Fitting and Retention Clips

Inlet/outlet fittings can be attached or removed from the system without tools. Retention clips are flexible, semi-circular in shape with three internal tabs, bottom, center and top. Tab interfaces with windows in the manifold head near each connection port. Proper use of the connectors is shown in the figure above.

1. Insert fitting into manifold.
2. With fitting inserted into manifold port, snap clip into place beginning at the bottom window.
3. Push center tab into center window.
4. Finally push top tab into top window.

## Comment utiliser les raccords d'entrée/sortie et les clips de maintien

Les raccords d'entrée/sortie peuvent être connectés ou détachés du circuit sans outil. Les clips de maintien sont flexibles et semi-circulaires avec trois pattes internes en bas, au centre et en haut. Les pattes coïncident avec des fenêtres côté collecteur près de chaque orifice de raccordement. L'utilisation correcte des raccords est illustrée sur la figure ci-dessus.

1. Insérer le raccord dans le collecteur.
2. Le raccord étant inséré dans l'orifice du collecteur, mettre en place le clip en commençant au niveau de la fenêtre inférieure.
3. Pousser la patte centrale dans la fenêtre centrale.
4. Pousser ensuite la patte supérieure dans la fenêtre supérieure.

### Verwenden der Einlass-/Auslassstutzen und der Sicherungsclips

Die Einlass-/Auslassstutzen lassen sich ohne Werkzeug am System anbringen bzw. vom System entfernen. Die Sicherungsclips sind flexibel, halbkreisförmig und haben drei integrierte Haken (unten, in der Mitte und oben). An den Schnittstellen der Haken befinden sich in der Nähe jeder Verbindungsstelle Fenster im Manifold-Kopf. Die ordnungsgemäße Verwendung der Steckverbindungen wird in der obigen Abbildung gezeigt.

1. Setzen Sie den Stutzen in das Manifold ein.
2. Wenn der Stutzen im Manifold-Anschluss eingesetzt ist, lassen Sie den Clip einrasten. Beginnen Sie am unteren Fenster.
3. Drücken Sie den Haken in der Mitte in das mittlere Fenster.
4. Drücken Sie zuletzt den oberen Haken in das Fenster oben.

### Come usare il raccordo di entrata/uscita e le clip di ritenzione

I raccordi di ingresso/uscita possono essere attaccati o rimossi dal sistema senza attrezzi. Le clip di ritenzione sono flessibili, di forma semicircolare con tre linguette interne: inferiore, centrale e superiore. Le linguette si interfacciano con delle aperture nella testa del collettore vicino a ogni porta di connessione. L'uso corretto dei connettori è mostrato nella figura qui sopra.

1. Inserire il raccordo nel collettore.
2. Con il raccordo inserito nella porta del collettore, far scattare la clip in posizione a partire dall'apertura inferiore.
3. Spingere la linguetta centrale nell'apertura corrispondente.
4. Infine spingere la linguetta superiore nell'apertura corrispondente.

### Cómo usar el accesorio de entrada/salida y los clips de sujeción

Los accesorios de entrada/salida se pueden conectar o quitar del sistema sin utilizar herramientas. Los clips de sujeción son flexibles, semicirculares con tres pestañas internas, una inferior, una central y una superior. Conecte las interfaces de las lengüetas con ventanas en la cabeza del distribuidor cerca de cada puerto de conexión. El uso adecuado de los conectores se muestra en la siguiente figura.

1. Inserte los accesorios en el distribuidor.
2. Con los accesorios colocados en el puerto del distribuidor, abra el clip en su sitio comenzando por la ventana inferior.
3. Empuje la lengüeta central dentro de la ventana central.
4. Finalmente empuje la lengüeta superior dentro de la ventana superior.

### Gebruik van de inlaat-/uitlaatfitting en de borgklemmen

Inlaat-/uitlaatfittingen kunnen zonder gereedschap worden aangebracht en verwijderd. Borgklemmen zijn flexibel en half rond en voorzien van drie interne lipjes beneden, in het midden en boven. De lipjes vallen in de uitsparingen in de kop van de verdeler naast elke aansluitingspoort. Het juiste gebruik van de aansluitingen wordt in bovenstaande afbeelding getoond.

1. Steek de fitting in de verdeler.
2. Als de fitting zich in de poort van de verdeler bevindt, klikt u de klem vast, waarbij u begint met de klem bij de onderste uitsparing.
3. Druk het middelste lipje in de middelste uitsparing.
4. Druk ten slotte het bovenste lipje in de bovenste uitsparing.

### 日本語：入口/出口の継手と保持クリップの使用法

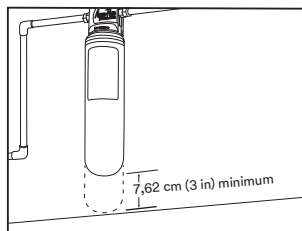
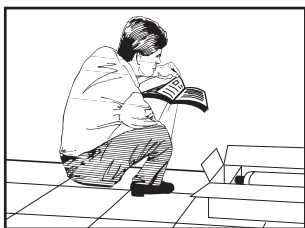
入口/出口の継手は、工具なしでシステムに装着可能です。保持クリップは柔軟性のある半円形で、内部には底面、中央、上面の3つのタブがあります。タブは、マニホールドヘッドの各接続ポート付近に設けられた窓と連動しています。コネクタの正しい使い方は、上の図のようになります。

1. 継手をマニホールドに挿入します。
2. 継手がマニホールドポートに挿入された状態で、底面の窓からクリップをはめ込みます。
3. 中央タブを中央の窓に押し込みます。
4. 上面タブを上面の窓に押し込みます。

### 中文：如何使用进口/出水口接头和固定夹

进口/出口接头无需工具即可从系统上安装或拆卸。固定夹采用柔性材质，呈半圆形，有三个内部翼片，分别在底部、中间和顶部。翼片与每个连接端口附近的歧管头中的窗口连接。连接器的正确使用方法如上图所示。

1. 将接头插入歧管中。
2. 将接头插入歧管端口，从底部窗口开始，将夹子卡入到位。
3. 将中间的翼片推入中间的窗口。
4. 最后将顶部翼片推入顶部窗口。



### Step 1

Remove system from the package and check parts list (page 30-33).

**NOTE:** Be sure inlet water supply is turned off before installing.

### Étape 1

Sortez le système de son emballage et procédez au contrôle des différentes pièces en vous référant à la nomenclature (page 30-33).

**REMARQUE :** Assurez-vous que l'alimentation en eau est fermée avant de commencer l'installation.

### Schritt 1

Nehmen Sie das System aus der Verpackung und überprüfen Sie den Inhalt anhand der Teileliste (Seite 30-33).

**HINWEIS:** Achten Sie vor Installationsbeginn darauf, dass die Wasserversorgung abgesperrt ist.

### Passo 1

Rimuovere il sistema dalla confezione e controllare l'elenco delle parti (pagina 30-33).

**NOTA:** assicurarsi che la mandata di acqua in entrata sia chiusa prima dell'installazione.

### Paso 1

Retire el sistema del paquete y revise la lista de piezas (páginas 30-33).

**NOTA:** Asegúrese de que el suministro de agua de entrada esté cortado antes de la instalación.

### Stap 1

Haal het systeem uit de verpakking en controleer de onderdelenlijst (pagina's 30-33).

**OPMERKING:** controleer voordat u met de installatie begint of de watertoevoer is afgesloten.

### ステップ 1

パッケージからシステムを取り出し、部品リストを確認します (30~33ページ)。

注意：設置の前に、注水口の水が止まっていることを確認してください。

### 步驟 1

去除系統包裝，檢查部件清單（第 30 頁和 33 頁）。注意：請確保在安裝前關閉進水管。

### Step 2

Select the installation location.

**IMPORTANT:** Allow a minimum of 3" (7.62 cm) of space below cartridge for change-outs.

### Étape 2

Choisissez l'emplacement d'installation.

**IMPORTANT :** Prévoyez un dégagement d'au moins 7,62 cm (3 po) en dessous du système de filtre afin de permettre les changements de cartouche ultérieurs.

### Schritt 2

Wählen Sie einen Montageort aus. **WICHTIG:** Lassen Sie für den Austausch mindestens 7,62 cm (3") Freiraum unterhalb der Patrone.

### Passo 2

Selezionare la posizione di installazione.

**IMPORTANTE:** lasciare uno spazio di almeno 7,62 cm (3") al di sotto della cartuccia per facilitare la sostituzione.

### Paso 2

Seleccione el lugar de instalación. **IMPORTANTE:** Deje un espacio de al menos 7,62 cm (3 in) debajo del cartucho para su recambio.

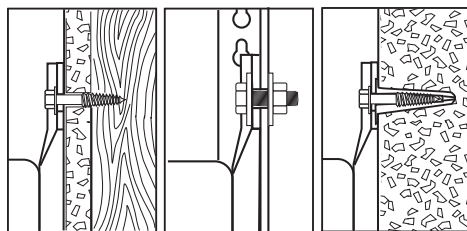
### Stap 2

Selecteer de locatie voor de installatie.

**BELANGRIJK:** zorg dat er minimaal 7,62 cm (3") ruimte onder de cartridge overblijft met het oog op vervanging.

ステップ 2 設置する場所を決めてください。重要：交換のため、カートリッジの下に7.62 cm（3インチ）以上の隙間が必要です。

步驟 2 選擇安裝位置。重要信息：請在濾筒下至少留出 3"（7.62 厘米）的空間，以便更換。



### Step 3

Select fasteners (not included) and tools appropriate for the installation location (wood beam, concrete, etc.)

**IMPORTANT:** The location and fasteners must support the weight of the system when full of water.

### Étape 3

Sélectionnez la boulonnerie (non incluse) et les outils appropriés au site d'installation (poutres en bois, béton, etc.).

**IMPORTANT :** le site et la boulonnerie doivent pouvoir supporter le poids du système une fois que ce dernier sera rempli d'eau.

### Schritt 3

Wählen Sie die für den Montageort geeigneten Befestigungselemente (nicht enthalten) und Werkzeuge (Holzbalken, Beton usw.) aus.

**WICHTIG:** Vergewissern Sie sich, dass der Montageort und die Befestigungselemente das Gewicht des Systems tragen können, wenn dies installiert und voller Wasser ist.

### Passo 3

Selezionare i serraggi (non inclusi) e gli strumenti appropriati per la posizione dell'installazione (trave di legno, cemento, ecc.).

**IMPORTANTE:** La posizione e i serraggi devono supportare il peso del sistema quando è pieno di acqua.

### Paso 3

Seleccione los sujetadores (no incluidos) y las herramientas adecuados para el lugar de instalación (viga de madera, hormigón, etc.)

**IMPORTANTE:** La ubicación y los sujetadores deben resistir el peso del sistema cuando esté lleno de agua.

### Stap 3

Kies de voor de locatie van installatie (houten balk, beton enz.) geschikte bevestigingsbouten (niet bij de levering inbegrepen) en gereedschap.

**BELANGRIJK:** de locatie en de bevestigingsbouten moeten het gewicht van het systeem gevuld met water kunnen dragen.

### ステップ 3

設置場所（木製の梁、コンクリートなど）に適した取り付け用ネジ（別売り）や工具を用意してください。

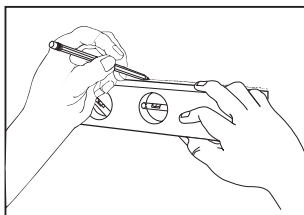
**重要：**設置場所と取り付け用ネジは、満水時のシステムの重量を支える強度が必要です。

### 步驟 3

选择适合该安装位置（木梁，混凝土等）的紧固件（不包括在内）和工具。

**重要信息：**安装位置和紧固件必须支撑充满水后的系统重量。





**Step 4**

Draw a line using a level on the mounting surface.

**Étape 4**

A l'aide d'un niveau, tracez une ligne sur la surface de montage.

**Schritt 4**

Ziehen Sie mithilfe einer Wasserwaage eine Linie auf der Montageoberfläche.

**Passo 4**

Tracciare una linea utilizzando una livella sulla superficie di montaggio.

**Paso 4**

Dibuje una línea usando un nivel sobre la línea de montaje.

**Stap 4**

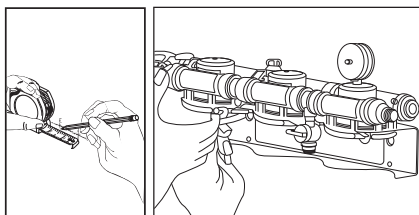
Zet met behulp van een waterpas een lijn op het montageoppervlak.

**ステップ 4**

水平器を使用して、取り付け面に線を引いてください。

**步骤 4**

使用水平仪，在安装表面上画线。



**Step 5**

Mark the locations for the fasteners either by measuring the distance between the bracket holes or by using the bracket itself.

**Étape 5**

Marquez les emplacements des organes de serrage soit en mesurant la distance entre les orifices du support, soit en vous servant du support lui-même.

**Schritt 5**

Markieren Sie die Stellen für die Befestigungselemente, indem Sie den Abstand zwischen den Montagelöchern der Halterung messen oder die Halterungen selbst anhalten.

**Passo 5**

Contrassegnare le posizioni per i serraggi misurando la distanza tra i fori delle staffe o utilizzando la staffa stessa.

**Paso 5**

Marque la ubicación de los sujetadores, ya sea midiendo la distancia entre los orificios del soporte o utilizando el soporte en sí.

**Stap 5**

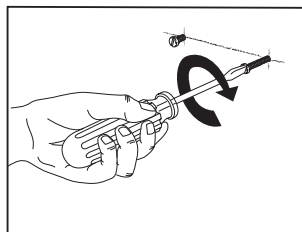
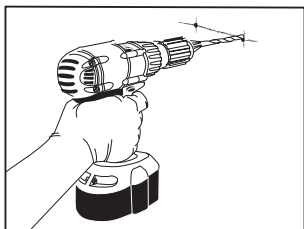
Markeer de plaatsen voor de bevestigingsbouten door de afstand tussen de openingen van de houder of door de houder zelf te gebruiken.

**ステップ 5**

ブラケットの穴の間隔を測るか、ブラケットに合わせて、取り付け用ネジの取り付け位置に印を付けます。

**步骤 5**

通过测量支架孔之间的距离或使用支架本身来标记紧固件的位置。



**Step 6**

Drill holes for the fasteners.

**Étape 6**

Percez les trous pour les organes de serrage.

**Schritt 6**

Bohren Sie die Löcher für die Befestigungselemente.

**Passo 6**

Trapanare i fori per i serraggi.

**Paso 6**

Perfore orificios para los sujetadores.

**Stap 6**

Boor gaten voor de bevestigingsbouten.

**ステップ 6**

取り付け用ネジの穴を開けてください。

**步骤 6**

钻孔，以安装紧固件。

**Step 7**

Allow 1/4"-3/8" (6-10 mm) of each fastener to protrude from the surface.

**Étape 7**

Laissez chaque organe de serrage dépasser de 6 à 10 mm (de 1/4 à 3/8 po) de la surface de montage.

**Schritt 7**

Lassen Sie 6–10 mm (1/4"-3/8") jedes Befestigungselements aus der Oberfläche ragen.

**Passo 7**

Lasciare sporgere dalla superficie 6-10 mm di ciascun serraggio.

**Paso 7**

Deje que cada sujetador sobresalga unos 6-10 mm (1/4 in -3/8 in) sobre la superficie.

**Stap 7**

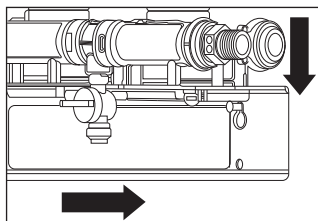
Laat van elke bevestigingsbout 6-10 mm (1/4"-3/8") uit het oppervlak steken.(1/4 in -3/8 in) sobre la superficie.

**ステップ 7**

各取り付け用ネジが設置面から6~10 mm (1/4~3/8インチ) 突き出るようにしてください。

**步骤 7**

为每个紧固件留出 1/4"-3/8" (6-10 毫米) 的高出表面的距离。



**Step 8**

Install the head and bracket onto the fasteners.

**Étape 8**

Installez la tête du filtre et le support sur les organes de serrage.

**Schritt 8**

Bringen Sie den Kopf und die Halterung an den Befestigungselementen an.

**Passo 8**

Installare la testa e la staffa sui serraggi.

**Paso 8**

Instale el cabezal y el soporte sobre los sujetadores.

**Stap 8**

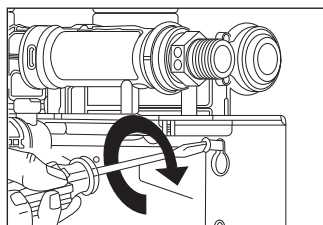
Installeer de kop en de houder op de bevestigingsbouten.

**ステップ 8**

取り付け用ネジにヘッドとブラケットを取り付けてください。

**步驟 8**

在紧固件上安装头和支架。



**Step 9**

Tighten fasteners.

**Étape 9**

Vissez à fond les organes de serrage.

**Schritt 9**

Ziehen Sie die Befestigungselemente an.

**Passo 9**

Stringere i serraggi.

**Paso 9**

Apriete los sujetadores.

**Stap 9**

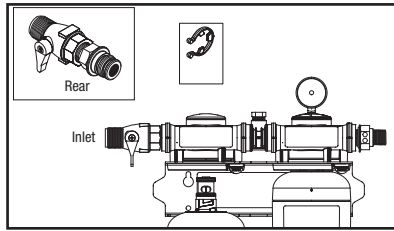
Draai de bevestigingsbouten aan.

**ステップ 9**

取り付け用ネジを締めてください。

**步驟 9**

拧紧紧固件。



**Step 10**

Install inlet (left rear) and outlet (right front) fittings to the manifold. The inlet kit includes the fitting, a ball valve and a 3/4" nipple. The outlet is a fitting only. The instructions for the retention clips are on page 19.

**Étape 10**

Installer les raccords d'entrée (arrière gauche) et de sortie (avant droite) sur le collecteur. Le kit d'entrée inclut le raccord, un clapet à bille et un nippel de 3/4". La sortie est un raccord uniquement. Les instructions pour les clips de maintien sont présentées page 19.

**Schritt 10**

Befestigen Sie den Einlassstutzen (hinten links) und den Auslassstutzen (vorn rechts) am Manifold. Der Einlass-Satz besteht aus dem Stutzen, einem Kugelventil und einem 3/4"-Nippel. Der Auslass besteht nur aus einem Stutzen. Die Anweisungen für die Sicherungsclips befinden sich auf Seite 20.

**Paso 10**

Instalare i raccordi di ingresso (posteriore sinistro) e di uscita (anteriore destro) sul collettore. Il kit d'ingresso comprende il raccordo, una valvola a sfera e un nipplo da 3/4". L'uscita è solo un raccordo. Le istruzioni per le clip di ritenzione sono a pagina 20.

**Paso 10**

Instale los accesorios de entrada (trasera izquierda) y de salida (delantera derecha) al distribuidor. El kit de entrada incluye los accesorios, una válvula esférica y una boquilla de 3/4". La salida es solo un accesorio. Las instrucciones para los clips de sujeción se encuentran en la página 20.

**Stap 10**

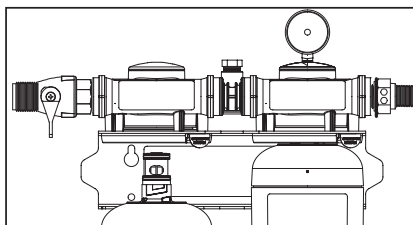
Monteer de fittingen van de inlaat (linksachter) en de uitlaat (rechtsachter) aan de verdeler. De inlaatset bestaat uit een fitting, een kogelkraan en een nippel van 3/4". De uitlaat is alleen een fitting. De instructies met betrekking tot de borgklemmen vindt u op pagina 20.

**ステップ 10**

入口（左後方）と出口（右前方）の継手をマニホールドに取り付けます。入口用キットには、継手、ボールバルブ、1.9 cm（3/4インチ）ニップルが含まれています。出口は継手のみです。保持クリップの使用方法は20ページに記載されています。

**步骤 10**

将进口（左后）和出口（右前）接头安装到歧管上。进口套件包括接头、一个球阀和一个 3/4" 螺纹接头。出口只有一个接头。有关固定夹的说明，请参见第 20 页。



**Step 11**

Remove sanitary cap from cartridge. Install cartridge with a quarter turn to the right until the cartridge comes to a complete stop (a “click” is heard). Flush new cartridge as noted on the Flush Table on page 38-41.

**Étape 11**

Enlevez la capsule sanitaire de la cartouche. Installez la cartouche en la faisant pivoter d'un quart de tour vers la droite jusqu'à ce qu'elle se bloque complètement (vous entendrez un clic). Vidangez la nouvelle cartouche comme indiqué dans le tableau de vidange en page 38-41.

**Schritt 11**

Entfernen Sie den Hygienedeckel von der Patrone. Bauen Sie die Kartusche ein, indem Sie sie um eine Vierteldrehung, bis zum Anschlag nach rechts drehen (ist ein Klickgeräusch hörbar). Spülen Sie neu installierte Kartuschen gemäß den Anweisungen in der Spültabelle auf Seite 38-41.

**Passo 11**

Rimuovere il tappo sanitario dalla cartuccia. Installare la cartuccia con un quarto di giro verso destra fino a quando compie un arresto completo (si sente un “clic”). Risciacquare la nuova cartuccia, come indicato nella Tabella per il risciacquo a pagina 38-41.

**Paso 11**

Quite la tapa sanitaria del cartucho. Instale el cartucho con un cuarto de giro a la derecha hasta que alcance un tope total (escuchará un “clic”). Coloque el nuevo cartucho a ras, tal como se indica en la Tabla de purga en la página 38-41.

**Stap 11**

Verwijder de hygiënekap van de cartridge. Installeer de cartridge met een kwartslag naar rechts totdat de cartridge niet verder kan (hoort u een 'klik'). Spoel de nieuwe cartridge volgens de Spoeltabel op pagina 38-41.

**ステップ 11**

カートリッジから衛生キャップを取り外します。カートリッジを取り付けます。カートリッジがそれ以上回転しなくなるまで、右に90度回転させます（「カチッ」と音がします）。新品のカートリッジは38～41ページの表どおりにフラッシングを施してから使用します。

**步骤 11**

取下滤筒的卫生帽。安装滤筒时，向右旋转 90 度，直到滤筒完全停止（滤头时会听到“咔哒）。根据第 38 页和 41 页中“冲洗表”的说明冲洗新滤筒。

## Equipment Start-up Procedure

1. Turn on incoming water to system.
2. Pressurize system by slowly rotating the inlet water ball valve 1/4 turn to the left (counterclockwise) to the "ON" position.
3. Check for leaks.
4. Use vent to remove trapped air.
5. Flush system in accordance with performance data sheet supplied with the cartridges.

System is now ready for use.

### Procédure de démarrage de l'équipement

1. Ouvrir l'arrivée d'eau du circuit.
2. Mettre le système en pression en faisant tourner lentement le clapet à bille d'entrée d'eau de 1/4 de tour vers la gauche (sens anti-horaire) vers la position ON.
3. Vérifier l'absence de fuite.
4. Utiliser l'évent pour chasser l'air piégé.
5. Rincer le système conformément à la fiche de données de performances fournie avec les cartouches.

Le système n'est pas prêt à être utilisé.

### Verfahren zur Inbetriebnahme der Anlage

1. Schalten Sie das zuzießende Wasser an das System ein.
2. Beaufschlagen Sie das System mit Druck, indem Sie das Einlasskugelventil langsam um eine viertel Umdrehung nach links (entgegen dem Uhrzeigersinn) in die Stellung „EIN“ drehen.
3. Überprüfen Sie auf Undichtigkeiten.
4. Entfernen Sie eingeschlossene Luft über die Entlüftung.
5. Spülen Sie das System so, wie im Leistungsdatenblatt angegeben. Das Leistungsdatenblatt ist im Lieferumfang der Kartuschen enthalten.

Das System ist jetzt einsatzbereit.

### Procedura di avviamento dell'attrezzatura

1. Aprire l'acqua in entrata al sistema.
2. Pressurizzare il sistema ruotando lentamente la valvola a sfera dell'acqua in entrata di 1/4 di giro a sinistra (in senso antiorario) fino alla posizione "ON".
3. Controllare se ci sono perdite.
4. Usare lo sfiato per rimuovere l'aria intrappolata.
5. Irrigare il sistema secondo le indicazioni della scheda tecnica, fornita con le cartucce.

Il sistema è ora pronto per l'uso.

## Procedimiento de encendido del equipo

1. Deje ingresar el agua en el sistema.
2. Presurice el sistema rotando lentamente la válvula esférica de entrada de agua 1/4 hacia la izquierda (contra las agujas del reloj) hacia la posición "ON".
3. Revise si hay fugas.
4. Utilice venteo para extraer el aire atrapado.
5. Descargue el sistema de acuerdo con la hoja de datos de rendimiento que viene con los cartuchos.

Ahora el sistema está listo para usar.

### Procedure voor de inbedrijfstelling van de installatie

1. Schakel de watertoevoer in.
2. Breng het systeem onder druk door de kogelkraan van de inlaat langzaam een kwartslag in de richting van 'ON' te draaien (tegen de klok in).
3. Controleer op lekkage.
4. Gebruik de ontluftung om opgesloten lucht te laten ontsnappen.
5. Spoel het systeem in overeenstemming met de vermeldingen op het blad met prestatiegegevens dat met de cartridges is meegeleverd.

Het systeem is nu klaar voor gebruik.

### 日本語：機器の動作手順

1. システムへの給水を開始します。
2. 入口のウォーターボールバルブをゆっくりと左に4分の1回転（反時計回り）させて「ON」位置にし、システムを加圧します。
3. 漏れがないか確認します。
4. ベントを使用して空気を抜きます。
5. カートリッジに同梱されている性能データシートに従って、システムを洗浄してください。

これでシステムが使用可能になりました。

### 中文：设备启动程序

1. 打开系统的进水开关。
2. 缓慢地将进水球阀向左旋转 1/4 圈（逆时针）至“打开”位置，为系统加压。
3. 检查是否存在漏水情况。
4. 利用排气口排出滞留的空气。
5. 根据滤筒随附的性能数据表冲洗系统。

系统现已准备就绪，可以使用了。

## Cartridge Replacement

- For proper maintenance of your filtration system, routine replacement of filter cartridges is required. Please refer to the replacement instructions included with your specific replacement cartridge.
- For additional information on cartridge replacements please go to [3M.com/waterquality](http://3M.com/waterquality).
- For additional product information, including product manual and Performance Data Sheet, go to [3M.com/waterquality](http://3M.com/waterquality) or contact 3M at 1-866-990-9785.

## Remplacement De La Cartouche

- Pour un entretien optimal de votre système de filtration, il est nécessaire de changer régulièrement les cartouches de filtration. Veuillez vous référer aux instructions de remplacement jointes à votre cartouche de remplacement spécifique.
- Vous trouverez des informations supplémentaires sur les remplacements de cartouche à l'adresse [3M.com/waterquality](http://3M.com/waterquality).
- Pour plus d'informations sur les produits, y compris les manuels et les fiches de données de performances des produits, consulter l'adresse [3M.com/waterquality](http://3M.com/waterquality) ou contacter 3M au 1-866-990-9785.

## Austausch Von Kartuschen

- Ein regelmäßiger Austausch der Filterkartuschen ist für die vorschriftsmäßige Wartung Ihres Filtrationssystems unerlässlich. Beziehen Sie sich bitte diesbezüglich auf die mit Ihren spezifischen Filterkartuschen mitgelieferte Anleitung zum Austauschen.
- Weitere Informationen zu Ersatzkartuschen finden Sie unter [3M.com/waterquality](http://3M.com/waterquality).
- Zusätzliche Produktinformationen, einschließlich Produkthandbuch und Datenblatt, finden Sie unter [3M.com/waterquality](http://3M.com/waterquality) oder wenden Sie sich unter 1-866-990-9785 an 3M.

## Sostituzione Della Cartuccia

- Per una corretta manutenzione del sistema di filtrazione, è necessaria la sostituzione ordinaria delle cartucce del filtro. Consultare le istruzioni di sostituzione incluse con la cartuccia di ricambio specifica.
- Per ulteriori informazioni sulla sostituzione delle cartucce, visitare [3M.com/waterquality](http://3M.com/waterquality).
- Per ulteriori informazioni sul prodotto, compreso il manuale del prodotto e la scheda tecnica delle prestazioni, visitare [3M.com/waterquality](http://3M.com/waterquality) o contattare 3M al numero 1-866-990-9785.

## Reemplazo Del Cartucho

- Para realizar un mantenimiento adecuado de su sistema de filtrado, deberá hacer un reemplazo de rutina de los cartuchos del filtro. Consulte las instrucciones de reemplazo incluidas con su cartucho de repuesto específico.
- Para obtener información adicional acerca del cambio de cartucho ingrese a [3M.com/waterquality](http://3M.com/waterquality).
- Para obtener información adicional acerca del producto, incluido el manual y la hoja de datos de rendimiento del producto, ingrese a [3M.com/waterquality](http://3M.com/waterquality) o contacte a 3M al 1-866-990-9785.

## Een Cartridge Vervangen

- Om uw filtratiesysteem correct te onderhouden, moet u de filtercartridges regelmatig vervangen. Raadpleeg de instructies voor vervanging van uw specifieke reservecartridge.
- Aanvullende informatie over het vervangen van cartridges vindt u op [3M.com/waterquality](http://3M.com/waterquality).
- Voor aanvullende productinformatie, waaronder producthandleidingen en de prestatiegegevens, gaat u naar [3M.com/waterquality](http://3M.com/waterquality) of neemt u contact op met 3M via 1-866-990-9785.

## カートリッジ交換

- フィルターシステムの適切なメンテナンスとして、フィルターカートリッジの定期交換が必要です。特定の交換カートリッジに同梱されている交換手順を参照してください。
- カートリッジ交換の詳細については、[3M.com/waterquality](http://3M.com/waterquality)をご覧ください。
- 製品マニュアルや性能データシートを含む製品情報については、[3M.com/waterquality](http://3M.com/waterquality)にアクセスいただくか、3M（電話：1-866-990-9785）までお問い合わせください。

## 滤筒更换

- 必须定期更换滤筒，以便正确维护过滤系统。请参阅具体更换滤筒随附的更换说明。
- 有关滤筒更换的其他信息，请访问 [3M.com/waterquality](http://3M.com/waterquality)。
- 如需了解更多产品信息，包括产品手册和性能数据表，请访问 [3M.com/waterquality](http://3M.com/waterquality) 或致电 1-866-990-9785 联系 3M。

# High Flow Series Parts Identification List

Nomenclature Des Pièces High Flow Series / High Flow Series – Teilleiste / Elenco di  
 Identificazione Delle Parti High Flow Series / Lista de Identificación de Piezas de la Serie de  
 Alto Flujo / Onderdelenlijst Van de High Flow-Reeks / ハイフローシリーズ部品確認リスト /  
 高流量系列部件标识列表

Repl. Ctg. Model # / Part # / Rempl. Ctg. Modèle / pièce n° / Kart. für Austausch Modellnr. / Teilenr. / Sost. Cart. N. modello / N. parte / Repuesto Cat. N.º de modelo / N.º de pieza / Verv. cat. Modelnr. / Onderdeelnr. / 交換 カートリ ッジ モデル番号 / 部品番号 / 更換目录 型号 / 零件编号	Rated Flow / Débit nominal / Nenndurchfluss / Flusso nominale: / Flujo nominal / Nominaal debiet / 定格流量 / 額定流量	System / Part # / Système / pièce n° / System / Teilenr. / Sistema / N. parte / N.º de sistema / N.º de pieza. / Systeem / Onderdeelnr. / シ ステム / 部品番号 / 系统 / 零件编号	Rated Flow / Débit nominal / Nenndurchfluss / Flusso nominale: / Flujo nominal / Nominaal debiet / 定格流量 / 額定流量
HF05-MS / 5609356	0.75 gpm (2,8 lpm)	N/A	N/A
HF10-MS / 5626111	1 gpm (3,8 lpm)	N/A	N/A
HF15-MS / 5626113	1 gpm (3,8 lpm)	N/A	N/A
HF20-I / 5636428	1.67 gpm (6,32 lpm)	N/A	N/A
HF20-SI / 5636429	1.67 gpm (6,32 lpm)	N/A	N/A
HF20-S / 5615103	1.5 gpm (5,7 lpm)	N/A	N/A
HF25-S / 5615203	1.5 gpm (5,7 lpm)	N/A	N/A
HF20-S-SR / 5636432	2 gpm (7,6 lpm)	N/A	N/A
HF20-A020-S-SR / 5636431	2 gpm (7,6 lpm)	N/A	N/A
HF20-MS / 5615109	1.5 gpm (5,7 lpm)	N/A	N/A
HF25-MS / 5615209	1.5 gpm (5,7 lpm)	N/A	N/A
HF20-A020-SR / 5636433	2 gpm (7,6 lpm)	N/A	N/A
HF25-S-SR / 5636411	2 gpm (7,6 lpm)	N/A	N/A
HF30 / 5615105	1.67 gpm (6,3 lpm)	N/A	N/A
HF35 / 5615205	1.67 gpm (6,3 lpm)	N/A	N/A
HF30-MS / 5615111	1.67 gpm (6,3 lpm)	N/A	N/A
HF35-MS / 5615211	1.67 gpm (6,3 lpm)	N/A	N/A
HF40 / 5613303	2.1 gpm (7.9 lpm)	N/A	N/A
HF45 / 5613307	2.1 gpm (7.9 lpm)	N/A	N/A
HF40-S / 5613305	2.1 gpm (7.9 lpm)	N/A	N/A
HF45-S / 5613309	2.1 gpm (7.9 lpm)	N/A	N/A
HF45-CLS / 5637113	0.7 gpm (2,65 lpm) Chloramine 2.5 gpm (9,46 lpm) CTO	N/A	N/A
HF45-CLXS / 5637116	0.7 gpm (2,65 lpm) Chloramine 2.5 gpm (9,46 lpm) CTO	N/A	N/A
HF40-S-SR / 5637115	2.5 gpm (9,46 lpm)	N/A	N/A
HF45-S-SR / 5637107	3.5 gpm (13,2 lpm)	N/A	N/A
HF60 / 5613403	3.34 gpm (12,6 lpm)	N/A	N/A
HF65 / 5613407	3.34 gpm (12,6 lpm)	N/A	N/A
HF60-S / 3613405	3.34 gpm (12,6 lpm)	ICE260-S / 5624503	6.68 gpm (25,3 lpm)
HF65-S / 5613409	3.34 gpm (12,6 lpm)	ICE265-S / 5624504	6.68 gpm (25,3 lpm)
HF60-S-SR / 5637226	3.5 gpm (13,25 lpm)	N/A	N/A
HF60-A020-S-SR / 5637225	3.5 gpm (13,25 lpm)	N/A	N/A
HF60-CL / 5625901	2.2 gpm (8,3 lpm)	N/A	N/A
HF60-CLS / 5625902	2.2 gpm (8,3 lpm)	N/A	N/A
HF60-CLX / 5637210	1.67 gpm (6,32 lpm) Chloramine 3.5 gpm (13,25 lpm) CTO	N/A	N/A



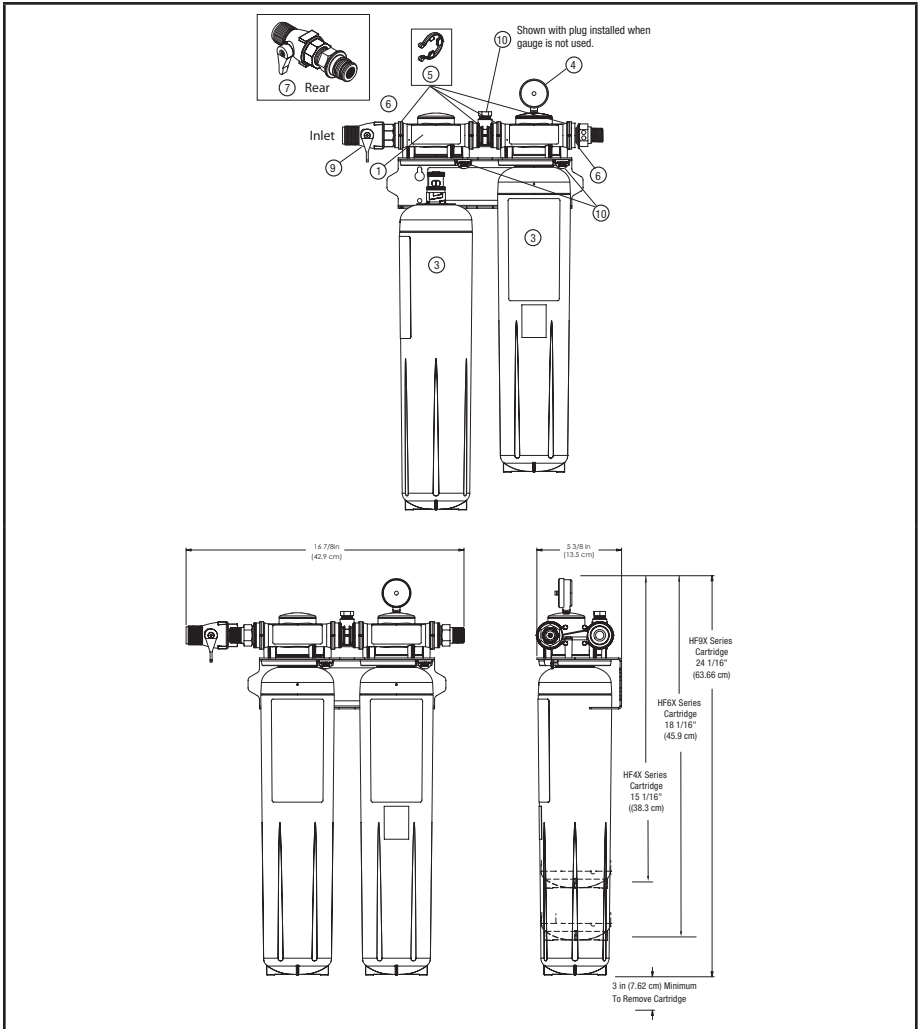
# High Flow Series Parts Identification List

Nomenclature Des Pièces High Flow Series / High Flow Series – Teilleiste / Elenco di Identificazione Delle Parti High Flow Series / Lista de Identificación de Piezas de la Serie de Alto Flujo / Onderdelenlijst Van de High Flow-Reeks / ハイフローシリーズ部品確認リスト / 高流量系列部件标识列表

Repl. Ctg. Model # / Part # / Rempl. Ctg. Modèle / pièce n° / Kart. für Austausch Modellnr. / Teilenr. / Sost. Cart. N. modello / N. parte / Repuesto Cat. N.° de modelo / N.° de pieza / Verv. cat. Modelnr. / Onderdeelnr. / 交換 カートリッジ モデル番号 / 部品番号 / 更换目录 型号 / 零件编号	Rated Flow / Débit nominal / Nenndurchfluss / Flusso nominale: / Flujo nominal / Nominaal debiet / 定格流量 / 额定流量	System / Part # / Système / pièce n° / System / Teilenr. / Sistema / N. parte / N.° de sistema / N.° de pieza. / Systeem / Onderdeelnr. / システム / 部品番号 / 系統 / 零件编号	Rated Flow / Débit nominal / Nenndurchfluss / Flusso nominale: / Flujo nominal / Nominaal debiet / 定格流量 / 额定流量
HF60-CLXS / 5637211	1.67 gpm (6,32 lpm) Chloramine 3.5 gpm (13,25 lpm) CTO	N/A	N/A
HF65-CL / 5628902	2.1 gpm (7,95 lpm)	HF265-CL / 5624506	4.2 gpm (15,9 lpm)
HF65-CLX / 5637213	1.0 gpm (3,79 lpm) Chloramine 3.5 gpm (13,25 lpm) CTO	HF265-CLX / 5624507	2.0 gpm (7,6 lpm) Chloramine 7.0 gpm (26,5 lpm) CTO
HF65-CLXS / 5637227	1.0 gpm (3,79 lpm) Chloramine 3.5 gpm (13,25 lpm) CTO	N/A	N/A
HF65-S-SR / 5637207 HF65-S-SR5 / 5613451	5 gpm (18,9 lpm)	N/A	N/A
HF90 / 5613503	5 gpm (18,9 lpm)	N/A	N/A
HF95 / 5613507	5 gpm (18,9 lpm)	N/A	N/A
HF90-S / 5613505	5 gpm (18,9 lpm)	N/A	N/A
HF95-S / 5613509	5 gpm (18,9 lpm)	N/A	N/A
HF90-CLX / 5637301	1.67 gpm (6,32 lpm) Chloramine 5.0 gpm (18,9 lpm) CTO	N/A	N/A
HF95-CL / 5627302	2.5 gpm (9,5 lpm)	HF295-CL / 5627501	5 gpm (19 lpm)
HF95-CLX / 5627311	1.5 gpm (5,68 lpm) Chloramine 5.0 gpm (18,9 lpm) CTO	HF295-CLX / 5627503	3.0 gpm (11,4 lpm) Chloramine 10 gpm (37,9 lpm) CTO
		HF395-CLX / 5627404	4.5 gpm (17 lpm) Chloramine 15 gpm (56,8 lpm) CTO
HF95-CLXS / 5637317	1.5 gpm (5,68 lpm) Chloramine 5.0 gpm (18,9 lpm) CTO	N/A	N/A
HF90-SR / 5637315	5 gpm (18,9 lpm)	N/A	N/A
HF90-S-SR / 5637309	5 gpm (18,9 lpm)	N/A	N/A
HF90-S-SR5 / 5637310	5 gpm (18,9 lpm)	N/A	N/A
HF95-S-SR / 5637307	7 gpm (26,5 lpm)	N/A	N/A
HF98 / 5627320	5.0 gpm (18,9 lpm) CTO	N/A	N/A
HF98-S / 5637321	5.0 gpm (18,9 lpm) CTO	N/A	N/A
HF98-CLX / 5627318	1.5 gpm (5,68 lpm) Chloramine 5.0 gpm (18,9 lpm) CTO	N/A	N/A
HF98-CLXS / 5637319	1.5 gpm (5,68 lpm) Chloramine 5.0 gpm (18,9 lpm) CTO	N/A	N/A
HF98-CLX-PL / 5637322	1.5 gpm (5,68 lpm) Chloramine 5.0 gpm (18,9 lpm) CTO	N/A	N/A

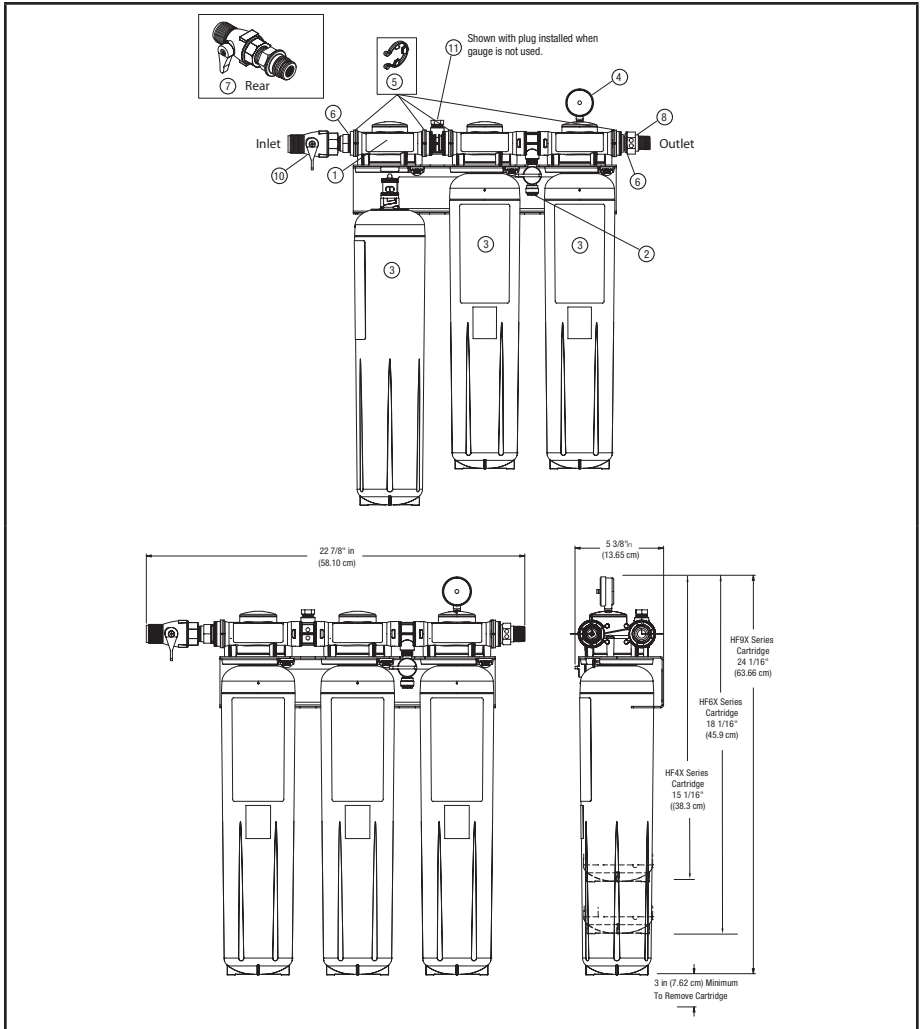
# Double Manifold Replacement Parts Listing

Item	3M ID	Part no.	Description
1	70-0202-2944-2	6228505	Dual Manifold Assembly
2	70-0203-5423-2	60-2333700	Vent Valve (not shown)
3	See catalog		Replacement Cartridges
4	70-0203-5424-0	8500556	Pressure gauge
5, 6	70-0202-3602-5	50-91401	Kit, Clip & O-ring
7	70-0202-2973-1	6225005	Inlet fitting kit
8	70-0202-2974-9	6225006	Outlet fitting kit
9	N/A	N/A	3/4" x 3/4" ball valve
10	70-0203-5424-0	8500556	Pressure Gauge (optional)
11	Inquire	5617501	Retainer Kit



# Triple Manifold Replacement Parts Listing

Item	3M ID	Part no.	Description
1	70-0202-2898-0	6228405	Triple Manifold Assembly
2	70-0203-5423-2	60-2333700	Vent Valve (not shown)
3	See catalog		Replacement Cartridges
4	70-0203-5424-0	8500556	Pressure gauge
5, 6	70-0202-3602-5	50-91401	Kit, Clip & O-ring
7	70-0202-2973-1	6225005	Inlet fitting kit
8	70-0202-2974-9	6225006	Outlet fitting kit
9	N/A	N/A	3/4" x 3/4" ball valve
10	70-0203-5424-0	8500556	Pressure Gauge (optional)
11	Inquire	5617501	Retainer Kit



**Product Selection and Use:** Many factors can affect whether a 3M product is appropriate for a particular application and how it performs, including local water and plumbing conditions. Customer is solely responsible for determining whether a 3M product meets customer's specific application requirements, including testing incoming source water quality and comparing it to the product's capabilities described in the Performance Data Sheet. Failure to properly evaluate, select, use or maintain a 3M product, or to meet applicable regulations or instructions, may result in personal injury from exposure to contaminants AND/OR property damage due to water leakage or flooding.

**Limited Warranty, Limited Remedy, and Disclaimer:** 3M warrants that this product (excluding filter cartridge or filter membrane) will be free from defects in material and manufacture for the period of one (1) year from the date of purchase. No warranty is given as to the service life of any filter cartridge or membrane as it will vary with local water conditions and water consumption. Except as required by law, 3M MAKES NO OTHER WARRANTIES OR CONDITIONS, EXPRESS OR IMPLIED, INCLUDING, BUT NOT LIMITED TO, ANY IMPLIED WARRANTY OR CONDITION OF MERCHANTABILITY OR FITNESS FOR A PARTICULAR PURPOSE OR ANY IMPLIED WARRANTY OR CONDITION ARISING OUT OF A COURSE OF DEALING, CUSTOM OR USAGE OF TRADE. This warranty does not cover failures resulting from misuse, alterations, failure to follow instructions or damage not caused by 3M. This warranty does not cover labor. If the 3M product does not conform to this warranty, then the sole and exclusive remedy is, at 3M's option, replacement of the 3M product or refund of the purchase price.

This warranty gives you specific legal rights, and you may have other rights which may vary from state to state, or country to country. For warranty questions or service, please call 866.990.9785. Proof of purchase must accompany a warranty claim.

**Limitation of Liability:** Except for the limited remedy stated above, and except to the extent prohibited by law, 3M will not be liable for any loss or damage arising from or related to the 3M product, whether direct, indirect, special, incidental, or consequential (including, but not limited to, lost profits or business opportunity), regardless of the legal or equitable theory asserted, including, but not limited to, warranty, contract, negligence, or strict liability.

**Sélection et utilisation du produit :** De nombreux facteurs peuvent déterminer si un produit 3M est approprié pour une application particulière et son efficacité, y compris l'eau locale et l'état de la plomberie. Le client est tenu de déterminer si un produit 3M respecte les exigences des applications spécifiques du client, y compris de tester la qualité de l'alimentation en eau et la comparer aux capacités du système décrites dans la fiche de données de performances. Un mauvais entretien, évaluation, sélection ou utilisation d'un produit 3M ou le non-respect des instructions ou réglementations applicables peut entraîner des blessures suite à l'exposition à des contaminants ET/OU des dommages matériels dus à une fuite d'eau ou à une inondation.

**Garantie limitée, limitation de recours et exclusion de responsabilité :** 3M garantit que ce produit (excepté la cartouche ou membrane filtrante) sera exempt de défaut matériel et de main d'œuvre pendant une durée d'un (1) an à compter de la date d'achat. Aucune garantie n'est donnée concernant la durée de vie de toute cartouche ou membrane filtrante car elle varie en fonction de la consommation d'eau et de sa qualité. 3M N'OFFRE AUCUNE AUTRE GARANTIE OU CONDITION, EXPLICITE OU IMPLICITE, Y COMPRIS ET SANS LIMITATION LA GARANTIE IMPLICITE OU CONDITION DE QUALITÉ MARCHANDE, D'APTITUDE À L'USAGE À DES FINS SPÉCIFIQUES OU TOUTE GARANTIE OU CONDITION IMPLICITE DÉCOULANT DE LA DISTRIBUTION, DE LA PRATIQUE OU DE L'USAGE DU COMMERCE, sauf si la loi l'exige. Cette garantie ne couvre pas les pannes consécutives à une utilisation incorrecte, à des altérations, au non-respect des instructions ou à des dommages qui n'ont pas été causés par 3M. Cette garantie ne couvre pas la main-d'œuvre. Si le produit 3M n'est pas conforme à cette garantie, le seul et unique recours est, à la discrétion de 3M, le remplacement du produit 3M ou le remboursement du prix d'achat.

Cette garantie vous donne des droits légaux juridiques, et vous pouvez avoir d'autres droits qui peuvent varier d'un état à l'autre ou d'un pays à l'autre. Pour l'assistance ou les questions concernant la garantie, composer le 866.990.9785. Toute demande dans le cadre de la garantie doit être accompagnée d'une preuve d'achat.

**Limitation de responsabilité :** À l'exception de la limitation de recours mentionnée ci-dessus et dans la mesure où le droit ne l'interdit pas, 3M ne pourra être tenu responsable d'aucun dommage ni perte découlant du produit 3M ou associé à celui-ci, qu'il soit direct, indirect, spécial, accessoire ou consécutif (y compris et sans limitation les pertes de profits ou d'opportunités commerciales), indépendamment de la théorie juridique ou d'équité revendiquée, y compris et sans limitation si la réclamation est basée sur la garantie, le contrat, la négligence ou la responsabilité stricte.

**Produktauswahl und -anwendung:** Viele Faktoren können einen Einfluss darauf haben, ob ein 3M-Produkt für eine bestimmte Anwendung geeignet ist und wie es sich verhält, einschließlich der örtlichen Wasser- und Installationsbedingungen. Es ist allein Aufgabe des Kunden festzustellen, ob ein 3M-Produkt seine Anforderungen für eine konkrete Anwendung erfüllt. Hierzu gehört auch die Prüfung der Qualität der Quelle des zuffließenden Wassers und deren Vergleich mit der im Leistungsdatenblatt beschriebenen Produktleistung. Eine nicht angemessene Beurteilung, Auswahl, Anwendung oder Wartung eines 3M-Produkts oder die Nichteinhaltung der anwendbaren Sicherheitsvorschriften oder Anweisungen kann zu Verletzungen von Personen durch Schadstoffe UND/ODER zu Sachschäden durch austretendes Wasser oder Überflutung führen.

**Beschränkte Garantie, eingeschränkte Rechtsmittel und Haftungsausschluss:** 3M garantiert für den Zeitraum von einem (1) Jahr ab Kaufdatum, dass dieses Produkt (außer Filterkartusche bzw. Filtermembran) frei von Material- und Herstellungsfehlern ist. Für die Lebensdauer von Filterkartuschen oder Membranen wird keine Garantie übernommen, da diese vom örtlichem Wasser und dem Wasserverbrauch abhängt. Außer in dem gesetzlich erforderlichen Maße ÜBERNIMMT 3M KEINE ANDEREN AUSDRÜCKLICHEN ODER STILLSCHWEIGENDEN GARANTIE ODER ZUSICHERUNGEN, EINSCHLIESSLICH ALLER IMPLIZITEN GARANTIE ODER ZUSICHERUNGEN, DIE EINE MARKTGÄNGIGKEIT ODER EIGNUNG FÜR BESTIMMTE ZWECKE SUGGERIEREN ODER SICH AUS EINEM HANDELSVERLAUF, EINER GEWOHNHEIT ODER HANDELSBRAUCH ERGEBEN. Diese Garantie deckt keine Schäden ab, die durch fehlerhafte Verwendung, Veränderungen, Nichtbefolgung der Anweisungen entstehen oder Schäden, die nicht durch 3M verursacht werden. Diese Garantie deckt keine Arbeiten ab. Wenn das 3M-Produkt dieser Garantie nicht entspricht, besteht das einzige und ausschließliche Rechtsmittel nach Wahl von 3M im Austausch des 3M-Produkts oder in der Rückerstattung des Kaufpreises.

Diese Garantie statet Sie mit bestimmten Rechten aus und je nach Bundesland bzw. Land können Ihnen weitere Rechte zustehen. Bei Fragen zur Garantie oder zum Service, rufen Sie bitte 866.990.9785 an. Um einen Garantieanspruch geltend zu machen, ist ein Kaufbeleg beizulegen.

**Haftungsbeschränkung:** Mit Ausnahme des oben genannten eingeschränkten Rechtsmittels und soweit gesetzlich zulässig haftet 3M nicht für Verluste oder Schäden, die sich aus dem 3M-Produkt ergeben oder damit in Zusammenhang stehen, unabhängig davon, ob es sich um unmittelbare, mittelbare, spezielle, zufällige oder Folgeschäden handelt (wie z. B. entgangene Gewinne oder Geschäftsmöglichkeiten), sowie unabhängig von der geltend gemachten Rechts- oder Billigkeitstheorie, wie z. B. durch Garantie, Vertrag, Fahrlässigkeit oder verschuldensunabhängige Haftung.

**Selezione e utilizzo del prodotto** Molti fattori possono influenzare se un prodotto 3M è appropriato per una particolare applicazione e come funziona, comprese le condizioni locali dell'acqua e dell'impianto idraulico. Il cliente è l'unico responsabile a determinare se un prodotto 3M soddisfa i requisiti dell'applicazione specifica, compreso il test della qualità dell'acqua in entrata e il confronto con le capacità del prodotto descritte nella scheda tecnica delle prestazioni. L'incapacità di valutare, selezionare, utilizzare o mantenere correttamente un prodotto 3M, o di soddisfare le normative o le istruzioni applicabili, può provocare lesioni personali dovute all'esposizione a contaminanti E/O danni alla proprietà dovuti a perdite d'acqua o allagamenti.

**Garanzia, limitazioni ed esclusione di responsabilità** 3M garantisce che questo prodotto (esclusa la cartuccia del filtro o la membrana del filtro) sarà privo di difetti di materiale e di fabbricazione per il periodo di un (1) anno dalla data di acquisto. Non viene data alcuna garanzia sulla durata di vita di qualsiasi cartuccia filtrante o membrana, in quanto varierà con le condizioni locali dell'acqua e il consumo di acqua. Fatto salvo quanto richiesto dalla legge, 3M NON RILASCIA ALCUNA ALTRA GARANZIA O CONDIZIONE, ESPLICITA O IMPLICITA, COMPRESA, TRA L'ALTRO, EVENTUALI GARANZIE IMPLICITE O CONDIZIONI DI COMMERCIALITÀ, O IDONEITÀ A UNO SCOPO PARTICOLARE, O QUALSIASI GARANZIA IMPLICITA O CONDIZIONE DERIVANTE DA ANDAMENTO DELLA TRANSAZIONE, CONSUETUDINE O USO COMMERCIALE. Questa garanzia non copre guasti derivanti da uso improprio, alterazioni, mancato rispetto delle istruzioni o danni non causati da 3M. Questa garanzia non comprende la manodopera. Qualora il prodotto 3M non risulti conforme alla presente garanzia, l'unico rimedio sarà, a discrezione di 3M, la sostituzione del prodotto 3M o il rimborso del prezzo di acquisto.

La presente garanzia conferisce al titolare diritti legali specifici e il titolare può avere ulteriori diritti che possono variare da Stato a Stato o da Paese a Paese. Per domande sulla garanzia o sull'assistenza, chiamare il numero 866.990.9785. In caso di reclamo in garanzia, la prova d'acquisto deve accompagnare la richiesta.

**Limitazione di responsabilità** Fatta eccezione per il rimedio limitato sopra indicato, e salvo quanto vietato dalla legge, 3M non sarà responsabile di eventuali perdite o danni derivanti o correlati al prodotto 3M, siano essi diretti, indiretti, speciali, incidentali o consequenziali (inclusi, in modo non esaustivo, la perdita di profitti oppure opportunità di business), indipendentemente dalla teoria legale o fondata sostenuta, inclusi, in modo non esaustivo, garanzia, contratto, negligenza o responsabilità oggettiva.

**Uso y selección del producto:** Muchos factores pueden afectar si un producto de 3M es adecuado para una aplicación particular y cómo funciona, incluidas las condiciones del agua local y de las cañerías. El cliente es el único responsable de determinar si el producto de 3M cumple con los requisitos de aplicación específica del cliente, incluidos el análisis de la calidad de la fuente de agua entrante y la comparación de esta con las capacidades del producto descritas en la hoja de rendimiento. Si no se puede evaluar, seleccionar, utilizar o mantener correctamente un producto de 3M o no cumple con las reglas o instrucciones vigentes, puede haber lesiones personales por exposición a contaminantes y/o daño a la propiedad por filtraciones de agua o inundación.

**Garantía limitada, recurso limitado y descargo de responsabilidad:** 3M garantiza que este producto (excluyendo el cartucho de filtro o la membrana de filtro) estará libre de defectos de material y fabricación durante el período de un (1) año a partir de la fecha de compra. No se ofrece ninguna garantía en cuanto a la vida útil de ningún cartucho o membrana de filtro, ya que varía según las condiciones y el consumo de agua locales. Excepto según lo requiera la ley, 3M NO OTORGA OTRAS GARANTÍAS O CONDICIONES, EXPRESAS O IMPLÍCITAS, INCLUIDA CUALQUIER GARANTÍA O CONDICIÓN IMPLÍCITA DE COMERCIABILIDAD O IDONEIDAD PARA UN PROPÓSITO EN PARTICULAR O CUALQUIER GARANTÍA IMPLÍCITA O CONDICIÓN QUE SURJA DE UN CURSO DE NEGOCIACIÓN, COSTUMBRE O USO DEL COMERCIO. Esta garantía no cubre fallas resultantes del mal uso, alteraciones, incumplimiento de las instrucciones o daños no causados por 3M. Esta garantía no cubre la mano de obra. Si el producto de 3M no cumple con esta garantía, entonces el único y exclusivo recurso es, a elección de 3M, el reemplazo del producto de 3M o el reembolso del precio de compra.

Esta garantía le otorga derechos legales específicos y puede tener otros derechos que pueden variar entre un estado y otro o entre un país y otro. Si tiene preguntas sobre la garantía o el servicio, llame al 866.990.9785. El comprobante de compra debe acompañar al reclamo de garantía.

**Limitación de responsabilidad:** Excepto por el recurso limitado mencionado anteriormente, y salvo en la medida en que lo prohíba la ley, 3M no será responsable de ninguna pérdida o daño que surja o esté relacionado con el producto de 3M, ya sea directo, indirecto, especial, incidental o consecuente (que incluye, entre otros, la pérdida de ganancias u oportunidades comerciales), independientemente de la teoría legal o equitativa que se afirme, entre las que se incluyen la garantía, el contrato, la negligencia o la responsabilidad estricta.

**Selectie en gebruik van producten:** Of een 3M-product al dan niet geschikt is voor een bepaalde toepassing en welke prestaties het product levert, wordt bepaald door tal van factoren, waaronder de lokale waterkwaliteit en de afvoerstandigheden. De klant is als enige verantwoordelijk voor het bepalen of een 3M-product voldoet aan de specifieke toepassingseisen van de klant. Daaronder valt ook het testen van de binnenkomende bronwaterkwaliteit en het vergelijken ervan met de capaciteiten van het product die worden vermeld in het blad met prestatiegegevens. Als een 3M-product niet op de juiste wijze wordt geëvalueerd, geselecteerd, gebruikt of onderhouden, of als niet aan alle van toepassing zijnde regels of voorschriften wordt voldaan, kan dit leiden tot persoonlijk letsel door blootstelling aan contaminanten EN/OF materiële schade door lekkages of overstromingen.

**Bepaalde garantie, beperkte verhaalsmogelijkheid en disclaimer:** 3M garandeert dat dit product (met uitzondering van de filtercartridge of filtermembraan) gedurende een periode van een (1) jaar na de dag van aankoop geen materiaal- of fabricagefouten zal vertonen. Er wordt geen garantie verleend op de levensduur van filtercartridges of -membranen, omdat deze afhankelijk is van de lokale wateromstandigheden en het waterverbruik. Tenzij de wet dit voorschrijft, BIEDT 3M GEEN ANDERE GARANTIES OF VOORWAARDEN, EXPLICIET OF IMPLICIET, MET INBEGRIJ VAN IEDERE IMPLICIETE GARANTIE OF VOORWAARDE TEN AANZIEN VAN DE VERKOOPBAARHEID OF DE GESCHIKTHEID VOOR EEN BEPAALD DOEL EN IEDERE GARANTIE OF VOORWAARDE DIE VOORTVLOEIT UIT EEN BETREKKING TUSSEN PARTIJEN, GEWOONTERECHT OF HANDELSGEBUIK. Deze garantie dekt geen gebreken die het gevolg zijn van onjuist gebruik, wijzigingen, het niet opvolgen van de instructies of schade die niet is veroorzaakt door 3M. Deze garantie dekt geen arbeidskosten. Als een 3M-product niet voldoet aan deze garantieverklaring, is vervanging van het 3M-product of vergoeding van de aankoopprijs van het 3M-product, naar keuze van 3M, de enige en exclusieve verhaalsmogelijkheid.

Deze garantieverklaring verleent u specifieke juridische rechten en mogelijk beschikt u nog over andere rechten die van staat tot staat dan wel van land tot land verschillen. Indien u vragen heeft over deze garantieverklaring, kunt u bellen naar 866.990.9785. Bij een aanspraak op garantie moet altijd een aankoopbewijs worden overlegd.

**Beperking van aansprakelijkheid:** Met uitzondering van de hierboven beperkte verhaalsmogelijkheid en voor zover niet uitgesloten door de wetgeving, is 3M niet aansprakelijk voor verlies of schade die voortvloeit uit of verband houdt met het 3M-product, zij het directe, indirecte, incidentele of vervolgschade (met inbegrip van, maar niet beperkt tot winstderving of verlies van zakelijke kansen), ongeacht de wettelijke of bilijke theorie waarop een beroep wordt gedaan, met inbegrip van, maar niet beperkt tot garantie, contract, verwaarlozing of strikte aansprakelijkheid.

**製品の選択と用途:** 3M製品が特定の用途に適しているかどうか、またその性能には、地域の水や配管の状況など、多くの要因が影響します。お客様は、3M製品がお客様の特定の用途の要件を満たしているかどうかを判断することに単独で責任を負います。これには、流入源の水質を検査し、性能データシートに記載されている製品の機能と比較することが含まれます。3M製品の適切な評価、選択、使用、保守を行わなかった場合、または適用される規制や指示に従わなかった場合、汚染物質への曝露による事故、または水漏れや冠水による物的損害が発生する可能性があります。

**限定保証、限定的救済措置、および免責事項:** 3Mは、本製品（フィルターカートリッジまたはフィルターメンブレンを除く）について、購入日から1年間、材料および製造上の欠陥がないことを保証します。フィルターカートリッジやメンブレンの耐用年数は、地域の水の状態や水の消費量によって異なるため、保証対象ではありません。3Mは、法律で定められた場合を除き、明示または黙示を問わず、その他のいかなる保証も行いません。これには、黙示的保証または商品性の条件、特定目的への適合性、あるいは交渉、通関、取引の利用の過程から生じたあらゆる明示的な保証または条件を含みますが、これらに限定されません。本保証は、誤用、改造、指示に従わなかった場合、または3Mに起因しない損害に起因する故障を網羅するものではありません。本保証には労働費は含まれていません。3M製品がこの保証に準拠していない場合、唯一かつ排他的な救済措置として、3Mの選択により、3M製品の交換または購入価格の返金が行われます。

本保証は、お客様に特定の法的権利を与えるものであり、お客様は、州や国によって異なる他の権利を有する場合があります。保証に関するご質問やサービスについては、866.990.9785までお電話にてお問い合わせください。保証請求には、購入証明書の添付が必要です。

**責任の制限について:** 上記の限定的な救済措置を除き、法律で禁止されている範囲を除き、3Mは、直接的、間接的、特別、偶発的、または結果的（利益またはビジネス機会の損失を含みますが、これらに限定されません）を問わず、法的または公正な理論に基づく主張（保証、契約、過失、または無過失責任を含みますが、これらに限定されません）にかかわらず、3M製品に起因または関連するいかなる損失または損害についても責任を負いません。

**产品选择和使用:** 许多因素会影响 3M 产品是否适合特定应用及其性能，包括当地的水和管道系统条件。客户负责确定 3M 产品是否满足客户的特定应用要求，包括测试进水水质并将其与性能数据表中描述的产品功能进行比较。如果未能正确评估、选择、使用或维护 3M 产品，或未能满足适用的法规或说明，可能会因接触污染物而造成人身伤害和/或因漏水或溢流造成财产损失。

**有限担保、有限补救措施和免责声明:** 3M 保证本产品（不包括滤筒或滤膜）自购买之日起（1）年内不会出现材料和制造方面的缺陷。滤筒或滤膜的使用寿命依当地的水况和用水量而有所变化，对此我们不作任何担保。除法律规定外，3M 不作任何其他明示或默示的担保或条件，包括但不限于任何关于适销性、特定用途的适用性的默示担保或条件，或因交易习惯、惯例或商业惯例而产生的默示担保或条件。因误用、改动、未能遵守说明或非 3M 造成的损坏而导致的故障不在本担保范围内。人工费不在本担保范围内。如果 3M 产品不符合本担保的要求，唯一补救措施就是更换 3M 的产品或进行退款，具体由 3M 自行选择。

本担保赋予您特定的法律权利，您可能拥有其他权利，而这些权利可能因州或国家而异。有关担保问题或服务，请致电 866.990.9785。担保索赔必须附有购买证明。

**责任范围:** 除了上述有限的补救措施外，在不触犯法律的情况下，对于因 3M 产品引起或与之相关的任何损失或损害，无论是直接的、间接的、特殊的、偶然的或后果性的（包括但不限于利润损失或商机损失），3M 不承担任何责任，无论所主张的法律或公平理论如何，包括但不限于担保、合同、过失或严格责任。

### Flush Table: HF05-MS<sup>1</sup>

Head & Manifold	# of Cartridges	Rated Flow	Flush Instructions
High Flow Series Twin 2XX Manifold	2	1.5 gpm (5,7 lpm)	Flush 3.0 gals (11,4 liters) through cartridge(s) before use (flush approx. 2 mins.)
High Flow Series Triple 3XX Manifold	3	2.25 gpm (8,5 lpm)	Flush 4.5 gals (17,0 liters) through cartridge(s) before use (flush approx. 2 mins.)

### Flush Table: HF10-MS<sup>1</sup>, HF15-MS<sup>1</sup>

Head & Manifold	# of Cartridges	Rated Flow	Flush Instructions
High Flow Series Twin 2XX Manifold	2	2 gpm (7,6 lpm)	Flush 4.0 gallons (15,1 liters) through cartridge(s) before use (flush approx. 2 mins.)
High Flow Series Triple 3XX Manifold	3	3 gpm (11,4 lpm)	Flush 6.0 gallons (22,7 liters) through cartridge(s) before use (flush approx. 2 mins.)

### Flush Table: HF20-S<sup>1</sup>, HF20-MS<sup>1</sup>, HF25-S<sup>1</sup>, HF25-MS<sup>1</sup>

Head & Manifold	# of Cartridges	Rated Flow	Flush Instructions
High Flow Series Twin 2XX Manifold	2	3 gpm (11,4 lpm)	Flush 6.0 gallons (22,7 liters) through cartridge(s) before use (flush approx. 2 mins.)
High Flow Series Triple 3XX Manifold	3	4.5 gpm (17 lpm)	Flush 9.0 gallons (34,1 liters) through cartridge(s) before use (flush approx. 2 mins.)



System has been tested and certified by NSF International against NSF/ANSI Standard 42, 53 and/or CSA B483.1 for the reduction of the substances specified on the Performance Data Sheet.

<sup>1</sup>This model is not certified by WQA to WQA/ASPE/ANSI S-803.



## Flush Table: HF20-I, HF20-SI

Head & Manifold	# of Cartridges	Rated Flow	Flush Instructions
High Flow Series Twin 2XX Manifold	2	3.34 gpm (12,6 lpm)	Flush 6.67 gallons (25,2 liters) through cartridge(s) before use (flush approx. 2 mins.)
High Flow Series Triple 3XX Manifold	3	5 gpm (18,9 lpm)	Flush 10.0 gallons (37,9 liters) through cartridge(s) before use (flush approx. 2 mins.)

## Flush Table: HF25-S-SR<sup>2</sup>, HF20-A020-SR, HF20-S-SR, HF20-A020-S-SR

Head & Manifold	# of Cartridges	Rated Flow	Flush Instructions
High Flow Series Twin 2XX Manifold	2	4 gpm (15,1 lpm)	Flush 8.0 gallons (30,3 liters) through cartridge(s) before use (flush approx. 2 mins.)
High Flow Series Triple 3XX Manifold	3	6 gpm (22,7 lpm)	Flush 12.0 gallons (45,4 liters) through cartridge(s) before use (flush approx. 2 mins.)

## Flush Table: HF30<sup>1</sup>, HF30-MS<sup>1</sup>, HF35-CL<sup>1</sup>, HF35<sup>1</sup>, HF35-MS<sup>1</sup>

Head & Manifold	# of Cartridges	Rated Flow	Flush Instructions
High Flow Series Twin 2XX Manifold	2	3.34 gpm (12,6 lpm)	Flush 6.67 gallons (26,5 liters) through cartridge(s) before use (flush approx. 2 mins.)
High Flow Series Triple 3XX Manifold	3	5 gpm (18,9 lpm)	Flush 10.5 gallons (39,75 liters) through cartridge(s) before use (flush approx. 2 mins.)

## Flush Table: HF40<sup>1</sup>, HF40-S<sup>1</sup>, HF45<sup>1</sup>, HF45-S<sup>1</sup>

Head & Manifold	# of Cartridges	Rated Flow	Flush Instructions
High Flow Series Twin 2XX Manifold	2	4.2 gpm (15,9 lpm)	Flush 8.4 gallons (31,8 liters) through cartridge(s) before use (flush approx. 2 mins.)
High Flow Series Triple 3XX Manifold	3	6.3 gpm (23,8 lpm)	Flush 12.6 gallons (47,7 liters) through cartridge(s) before use (flush approx. 2 mins.)



System has been tested and certified by NSF International against NSF/ANSI Standard 42, 53 and/or CSA B483.1 for the reduction of the substances specified on the Performance Data Sheet.



This cartridge is Tested and Certified by NSF International against NSF/ANSI Standard 42 for materials and structural integrity requirements.



This model is certified by the Water Quality Association to WQA/ASPE/ANSI S-803 for Sustainability.

<sup>1</sup>This model is not certified by WQA to WQA/ASPE/ANSI S-803.

<sup>2</sup>NSF COMPONENT Listing

## Flush Table: HF40-S-SR, HF45-CLX, HF45-CLXS

Head & Manifold	# of Cartridges	Rated Flow	Flush Instructions
High Flow Series DP2XX Twin Manifold	2	5 gpm (18,9 lpm)	Flush 10.0 gallons (37,9 liters) through cartridge(s) before use (flush approx. 2 mins.)
High Flow Series DP3XX Triple Manifold	3	7.5 gpm (28,4 lpm)	Flush 15.0 gallons (56,8 liters) through cartridge(s) before use (flush approx. 2 mins.)

## Flush Table: HF45-S-SR<sup>2</sup>, HF60<sup>1</sup>, HF60-S<sup>1</sup>, HF60-S-SR, HF60-S-SR5, HF60-A020-S-SR, HF60-CLX, HF60-CLXS, HF65<sup>1</sup>, HF65-S<sup>1</sup>, HF65-CLX, HF65-CLXS

Head & Manifold	# of Cartridges	Rated Flow	Flush Instructions
High Flow Series Twin 2XX Manifold	2	7 gpm (26,5 lpm)	Flush 14.0 gallons (53,0 liters) through cartridge(s) before use (flush approx. 2 mins.)
High Flow Series Triple 3XX Manifold	3	10.5 gpm (39,75 lpm)	Flush 21.0 gallons (79,5 liters) through cartridge(s) before use (flush approx. 2 mins.)

## Flush Table: HF60-CL<sup>1</sup>, HF60-CLS<sup>1</sup>

Head & Manifold	# of Cartridges	Rated Flow	Flush Instructions
High Flow Series Twin 2XX Manifold	2	4.4 gpm (16,7 lpm)	Flush 9.0 gallons (34,1 liters) through cartridge(s) before use (flush approx. 2 mins.)
High Flow Series Triple 3XX Manifold	3	6.6 gpm (25 lpm)	Flush 13.5 gallons (51,1 liters) through cartridge(s) before use (flush approx. 2 mins.)

## Flush Table: HF65-CL<sup>1</sup>

Head & Manifold	# of Cartridges	Rated Flow	Flush Instructions
High Flow Series Twin 2XX Manifold	2	4.2 gpm (15,9 lpm)	Flush 8.4 gallons (31,8 liters) through cartridge(s) before use (flush approx. 2 mins.)
High Flow Series Triple 3XX Manifold	3	6.3 gpm (23,8 lpm)	Flush 12.6 gallons (47,7 liters) through cartridge(s) before use (flush approx. 2 mins.)



System has been tested and certified by NSF International against NSF/ANSI Standard 42, 53 and/or CSA B483.1 for the reduction of the substances specified on the Performance Data Sheet.



This cartridge is Tested and Certified by NSF International against NSF/ANSI Standard 42 for materials and structural integrity requirements.



This model is certified by the Water Quality Association to WQA/ASPE/ANSI S-803 for Sustainability.

<sup>1</sup>This model is not certified by WQA to WQA/ASPE/ANSI S-803.

<sup>2</sup>NSF COMPONENT Listing

**Flush Table: HF65-S-SR<sup>2</sup>, HF65-S-SR5<sup>2</sup>, HF90<sup>1</sup>, HF90-S<sup>1</sup>, HF90-S-SR, HF90-SR, HF90-CLX, HF95<sup>1</sup>, HF95-S<sup>1</sup>, HF95-CL<sup>1</sup>, HF95-CLX, HF95-CLXS, HF98, HF98-S, HF98-CLX, HF98-CLXS, HF98-CLX-PL**

Head & Manifold	# of Cartridges	Rated Flow	Flush Instructions
High Flow Series Twin 2XX Manifold	2	10 gpm (37,9 lpm)	Flush 20.0 gallons (75,7 liters) through cartridge(s) before use (flush approx. 2 mins.)
High Flow Series Triple 3XX Manifold	3	15 gpm (56,8 lpm)	Flush 30.0 gallons (113,6 liters) through cartridge(s) before use (flush approx. 2 mins.)

**Flush Table: HF95-S-SR<sup>2</sup>**

Head & Manifold	# of Cartridges	Rated Flow	Flush Instructions
High Flow Series Twin 2XX Manifold	2	14 gpm (53 lpm)	Flush 28.0 gals (106,0 liters) through cartridge(s) before use (flush approx. 2 mins.)
High Flow Series Triple 3XX Manifold	3	21 gpm (79,5 lpm)	Flush 42.0 gallons (159,0 liters) through cartridge(s) before use (flush approx. 2 mins.)



System has been tested and certified by NSF International against NSF/ANSI Standard 42, 53 and/or CSA B483.1 for the reduction of the substances specified on the Performance Data Sheet.



This cartridge is Tested and Certified by NSF International against NSF/ANSI Standard 42 for materials and structural integrity requirements.



This model is certified by the Water Quality Association to WQA/ASPE/ANSI S-803 for Sustainability.

<sup>1</sup>This model is not certified by WQA to WQA/ASPE/ANSI S-803.

<sup>2</sup>NSF COMPONENT Listing







**3M Purification Inc.  
3M Separation and  
Purification Sciences Division**

400 Research Parkway  
Meriden, CT 06540

Phone 1-866-990-9785  
WW 1-203-237-5541  
Web [3M.com/waterquality](http://3M.com/waterquality)

3M is a trademark of 3M Company.  
NSF is a trademark of NSF International.  
WQA is a trademark of Water Quality Association.  
Please recycle. Printed in USA.  
© 2021 3M Company. All rights reserved.  
34-8727-1412-5



**dZ**

**Requester:** Vivian Moore  
**Creator:** deZinnia\_29948  
**File Name:** 34872714125.indd  
**Structure #:** SS-85431  
**Date:** 10/28/21

**Printed Colors – Front:**

**K**

**Printed Colors – Back:**

**K**

**Match Colors:**

Scale:  1 Inch

**This artwork has been created as requested by 3M. 3M is responsible for the artwork AS APPROVED and assumes full responsibility for its correctness.**

**PROOF REQUIRED**

Please refer to 3M Corporate General Spec. 205 for details