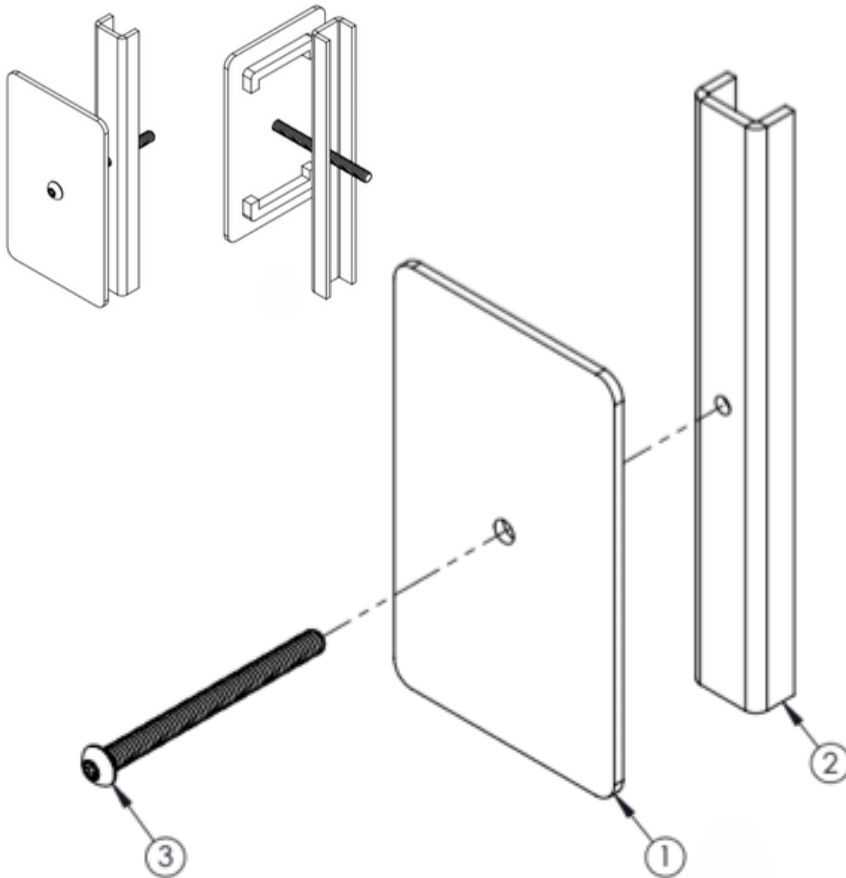




How it works:

The Tamper Resistant Cover safeguards light poles from unwanted access. Requiring specialized security bits for installation and removal, these tough covers eliminate easy entry points to prevent damage and maintain security. The high strength, mild steel front cover plate is secured with a tamper resistant screw that threads into an oversized internal bracket to protect light poles from vandalism and theft.



Typical Applications:

- Light poles
- Traffic Light poles

Features:

- Beautiful heavy-duty powder coat to meet or exceed the lifespan on high quality light poles.
- Installs (or removes) in Minutes
- Pry bar proof
- Fits Round Or Square Poles with 3x5 Hand Hole Cover
- Button head, Tamper Resistant Screw
- Fits 3x5 hand holes on parking lot poles, street lights, sports light standards, and much more
- Extra-long mounting bolts to fit thick, aggregate poles or thin, steel poles
- Heavy duty mild steel construction welded for high security and long life.

Item No.	Finish	Description	Height	Width
1	POWDER COATED DARK BRONZE	3" X 5" RECTANGLE HAND HOLE COVER	5"	3"
2	POWDER COATED DARK BRONZE	INTERNAL BRACKET	7"	1"
3	STAINLESS	BUTTON HEAD, TAMPER RESISTANT	3"	1/4"

