

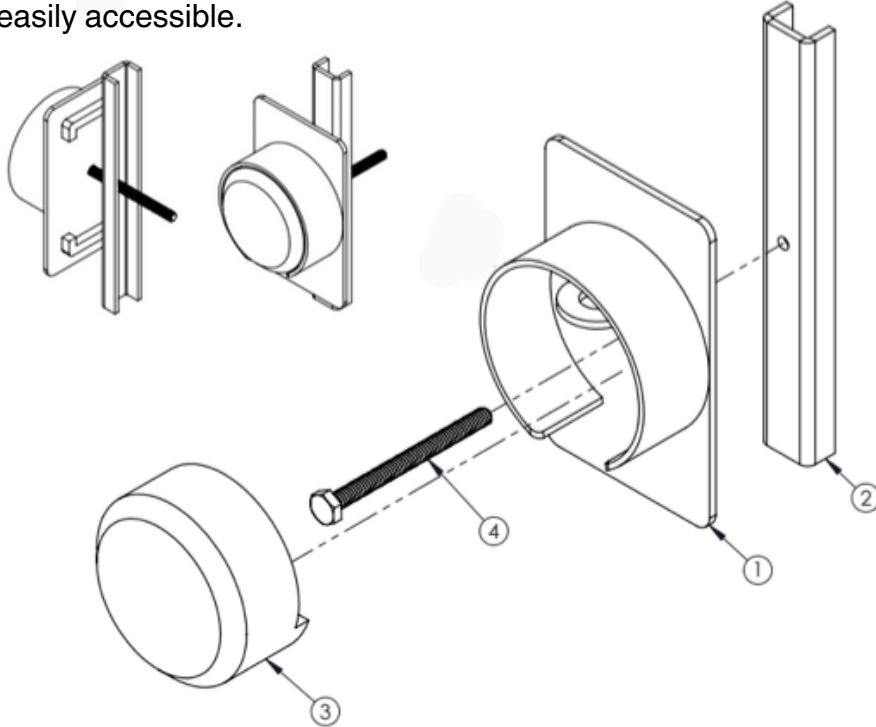


Hand Hole Lock - Rectangle

Part No. **EMT-HL3X5R**

How it works:

The Hand Hole Lock is built to stop would be thieves before they start. Similar to a high quality vault, our Hand Hole Lock is designed to fail more secure in case of tampering. An oversized internal bracket with high strength center bolt secures the Hand Hole Lock to your light pole. The front cover plate is secured with a heavy duty Round Puck Key Lock shielded inside the high strength powder coated mild steel body. This protects the critical securing components from bolt cutters and other hand tools while keeping the keyhole easily accessible.



Typical Applications:

- Light poles
- Traffic Light poles

Features:

- Beautiful heavy-duty powder coat to meet or exceed the lifespan on high quality light poles.
- Installs (or removes) in Minutes
- Pry bar proof
- Fits Round Or Square Poles with 3x5 Hand Hole Cover
- Tamper Proof Design. No exposed bolt heads
- Fits 3x5 hand holes on parking lot poles, street lights, sports light standards, and much more
- Extra-long mounting bolts to fit thick, aggregate poles or thin, steel poles
- Designed around a Round Puck Key Lock.
- Round Puck Key Lock Included
- Locks keyed alike to keep key management simple.
- Heavy duty mild steel construction welded for high security and long life.

Item No.	Finish	Description	Height	Width
1	POWDER COATED DARK BRONZE	3" X 5" RECTANGLE HAND HOLE COVER	5"	3"
2	POWDER COATED DARK BRONZE	INTERNAL BRACKET	7"	1"
3	STAINLESS	ROUND PUCK KEY LOCK	2 7/8"	2 7/8"
4	GRADE 8	HEX OR PAN HEAD BOLT 1/4" X 20, FULLY THREADED	4"	1/4"

