

OWNER'S MANUAL

CYKE

LYNX

You should also read the entire Owner's Manual because it has additional important general information and instructions which you should follow. If you do not have a copy of the Owner's Manual, you can download it at no cost at cykebikes.com



CONTENTS

ABOUT THIS MANUAL	1		
Maintenance, Adjustment and Repairs.....	1		
Symbols	1		
GENERAL INFORMATION	2		
Intended Use	2		
Specifications.....	2		
Components.....	3		
GENERAL NOTES ABOUT RIDING	5		
Motor Assistance.....	5		
Brake.....	5		
Changing Gears.....	5		
Electric Bicycle Riding Tips.....	6		
Before Riding	7		
GENERAL NOTES ABOUT ASSEMBLY	9		
Seatpost Height Adjustment.....	9		
Front Lights Angle.....	10		
Handlebar Adjustment.....	10		
HMI DISPLAY CONTROL.....	12		
HMI Display Buttons.....	12		
HMI Display Information	12		
Light Control.....	13		
Changing PAS Level	13		
Changing Assist Mode.....	14		
Walk Assist Interface.....	14		
Info Interface.....	15		
Option Interface.....	15		
Basic Setting	15		
Information.....	16		
Advanced Setting	17		
Reset.....	17		
Data Clearance.....	17		
Error Information.....	18		
CYKE Assistant.....	18		
BATTERY AND CHARGER	19		
Battery Charging.....	19		
Battery Removal and Insertion.....	20		
Operating Instructions	22		
Battery Storage.....	23		
MAINTENANCE.....	25		
Basic Bike Care	25		
Cleaning Your CYKE	25		
Tire Inflation and Replacement.....	26		
Recommended Service Intervals	27		

Troubleshooting.....	28
WARRANTY POLICY.....	29
Length of Warranty	29
Warranty Conditions.....	29

ABOUT THIS MANUAL

Keep this Owner's Manual in a safe place for future reference. All content in this manual is subject to change as we continually work to refine our products.

This manual contains warnings, cautions, and notes for your safety. Carefully read all of this information and share with others who may ride this bike before attempting to operate the bike for the first time. Give special attention to any information that has a warning or caution symbol before or next to it. Also pay attention to any information preceded by NOTICE as this will be important information that may not be related to safety.

Always properly maintain and care for your bicycle so original quality and safety are retained.

Maintenance, Adjustment and Repairs

To reduce the risk of accidents and injury, regularly inspect your bicycle and have it repaired at our authorized distributors or after-sales service shops. Assembly and adjustment of this bike may require special tools and skills. It is recommended that the assembly and adjustment of this bike be completed by a certified, reputable bike mechanic if possible.

All users must read and understand this manual before riding their bike from a CYKE bike. Additional manuals for components used on the bike will also be provided, please read before installing or using.

Symbols

The safety symbols listed below indicate that the message followed is related to safety. Failure to pay attention to the safety message may result in property damage, injury or death.



WARNING! Indicates a hazard or unsafe practice that can result in severe injury or death if the user fails to read, understand and follow the safety information in this manual.



CAUTION: Indicates a hazard or unsafe condition that could result in minor injury if the user fails to read, understand and follow the safety information.



NOTICE: Indicates information that the user should pay special attention to but is not related to physical injury.

GENERAL INFORMATION

Always carry out a complete check before riding. Thoroughly read the safety section. Electric Bicycles can be dangerous to use. The user or consumer assumes all risk of personal injuries, damage, or failure of the bicycle or system and all other losses or damages to themselves and others and to any property arising as a result of using the electric bicycle.

Never disassemble, modify or replace electrical parts.

Always wear an approved helmet when you are riding to protect your head in a fall. It is your responsibility to familiarize yourself with the laws of where you ride your CYKE bike in advance and comply with all applicable laws.

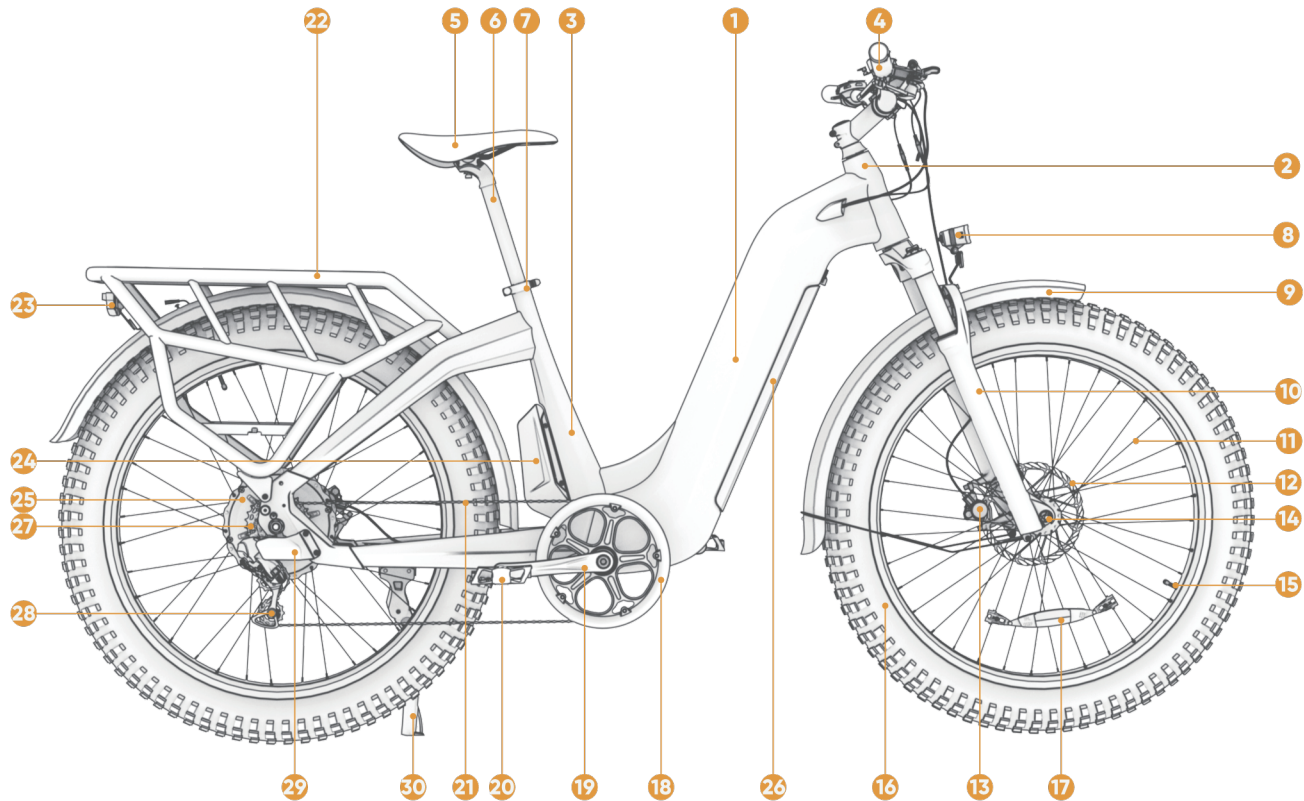
Intended Use

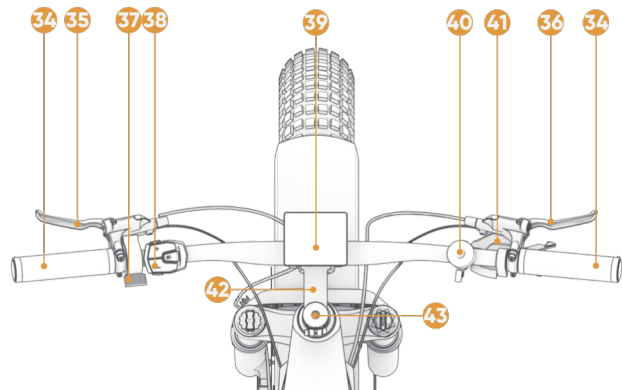
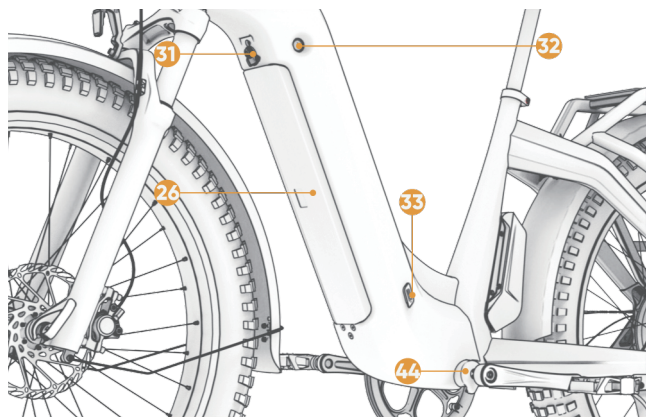
This bicycle is designed for riding on smooth gravel roads and improved and moderate-grade trails where the tires do not lose ground contact. These bicycles are intended for paved roads, gravel or dirt roads that are in good condition, and bicycle paths.

Specifications

Model Name	LYNX
Max. Load Capacity	330LBS / 149KG
Max. Speed	28MPH
Motor	48V 750W Brushless Hub Motor
Battery	48V 20AH (960Wh) Li-ion
Light	Front Light: 2W, 40LUX; Rear Light: 0.5W
Wheel Size	26"x4.0" Front/Rear
Tire Pressure	5-30 P.S.I. (0.4-2.1 BAR; 40-210 KPA)
Charger	48V 3Ah
Charging Time	Approx.8-10 Hours
Water Resistance	IPX5
Weight	94.6LBS / 42.9KG

Components





1	Down tube	16	Tire	31	Safety lock
2	Head tube	17	Reflector	32	Battery lock
3	Seat tube	18	Chainring	33	Charging socket
4	Cockpit	19	Crank arm	34	Grips
5	Saddle	20	Pedal	35	Front brake
6	Seatpost	21	Chain	36	Rear brake
7	Seatpost clamp	22	Rear rack	37	Thumb throttle
8	Headlight	23	Tail light	38	HMI Controller
9	Fender	24	Controller box	39	HMI display
10	Fork	25	Rear hub motor	40	Bell
11	Spoke	26	Battery	41	Shift lever
12	Brake rotor	27	Cassette	42	Stem
13	Brake caliper	28	Rear derailleur	43	Stem cap
14	Wheel bolt	29	Derailleur armor	44	Speed sensor
15	Valve	30	Kickstand		



NOTICE: The appearance of components slightly varies between different batches, therefore the pictures in this manual are for reference only but do not affect the description and interpretation of the product. Please refer to the actually received ones.

GENERAL NOTES ABOUT RIDING

Motor Assistance

The motor provides assistance when the cranks are rotating. The amount of assistance increases depending on the amount of pedaling frequency. The slower you pedal, the lower assistance will be provided.

Your CYKE bike can also be ridden like a regular bicycle without motor assistance by switching the assist level to PAS0 (OFF) on the display.

As mentioned in this manual, with the system powered up, the motor support will activate as soon as the cranks are rotating. This can also happen when not actively riding the bicycle, e.g., when the bicycle is in a work stand or flipped upside down and the cranks are turned or the chain is moved (which then turns the cranks), when walking alongside and pushing the bicycle and the cranks are turned, or any other scenario where the cranks are turned, and the wheels are moving, whether intentionally or unintentionally. What this means is that the system should be powered off when motor assist is not desired to avoid any unintentional engagement of the motor.



WARNING! The system must always be powered off when not in use or performing any maintenance on the bicycle.

Brake

Sometimes the motor doesn't stop working immediately when you stop pedaling, you need to cut off the power by pinching the brake.



WARNING! CYKE bike is equipped with brake sensors, so do not replace the brakes.

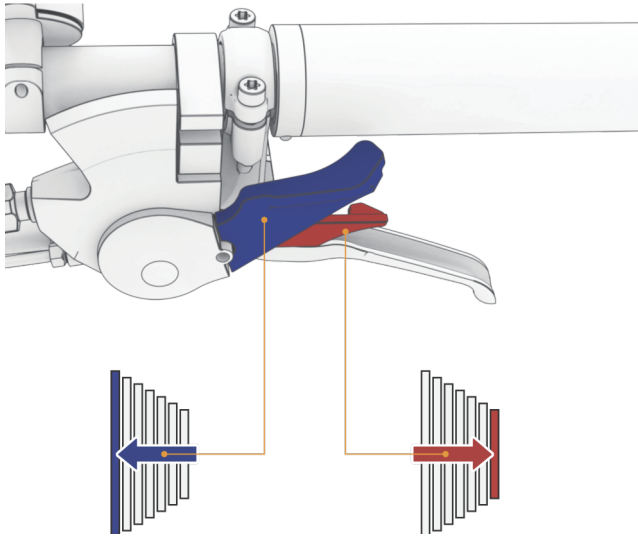


WARNING! Be careful to keep body parts and other objects away from the moving disc brake rotors to avoid injury. Also, disc brake rotors can get extremely hot with extended use. Be careful and do not touch a rotor until it has plenty of time to cool.



CAUTION: Do not allow any oil or grease to get onto the disc brake rotor and the brake pads. Riding the bicycle with oil or grease on the disc brake rotor and brake pads may prevent the brakes from operating correctly.

Changing Gears



When pedaling, pull the upper lever with your index finger to shift your bicycle into a higher gear (harder/small cog) and push the lower lever with your thumb to shift your bicycle into a lower gear (easier/large cog).



CAUTION: Do not shift gears when applying full force on the pedals. Change one gear at a time and only when pedaling.

Electric Bicycle Riding Tips

Because of the electric motor assist, your electric bicycle offers a unique riding experience compared to a normal bicycle.

Below are some riding tips and information that may reduce component wear and increase battery range:

- Please pay attention to your speed going into a corner and stop pedaling before entering it. Otherwise, you may carry too much speed which may cause you to lose control and fall.
- Ride at a comfortable, efficient cadence and look ahead.
- When braking force is applied, more energy is needed to get the bicycle back up to speed.
- Shift gears regularly to stay in an optimal cadence range and downshift before coming to a stop.
- Reduce pedal force before initiating a gear shift to reduce drivetrain wear.
- Braking while steering may reduce the ability to control your bicycle.
- Only carry the cargo you need. More weight drains the battery faster.
- Do not expose your bicycle to prolonged excessive heat.
- Check the tire pressure regularly as low pressure can cause the tires to roll inefficiently.

Before Riding

Regardless of your experience level, you should check the following every time before you start to ride an E-bike:

Check Item	Basic Steps
Wheels and Tires	<ul style="list-style-type: none"> ● Ensure the tires are inflated to the recommended limits specified on tire side wall. ● Inspect tires to ensure the tread is good, with no bulges or cuts, and not embedded objects that may puncture it. ● Ensure the rims run well, do not wobble, and have no damage, nor dents and kinks. ● Ensure all spokes are tight and are not broken. ● Make sure axle nuts or quick release levers are tight. ● Ensure the locking levers of all quick release assemblies are secured. ● Ensure that reflectors are securely in position on both wheels.
Brakes	<ul style="list-style-type: none"> ● Ensure front and rear brakes function properly. ● Test and ensure that the brake levers are firm, move freely, and do not touch the handlebar grips when pulled with maximum hand force. ● Ensure the motor cutoff function and brake light work properly. ● Ensure the brake pads are positioned correctly, move freely, and do not have excessive wear. ● Inspect the brake rotors to make sure they are not damaged, with no excessive wear or objects tangled in them. ● Ensure brake cables are adjusted correctly, lubricated well, and have no obvious damage. ● Ensure brake caliper fasteners are secure, without leaking fluid or any, damage.
Steering	<ul style="list-style-type: none"> ● Ensure that the handlebars and stem are correctly adjusted,

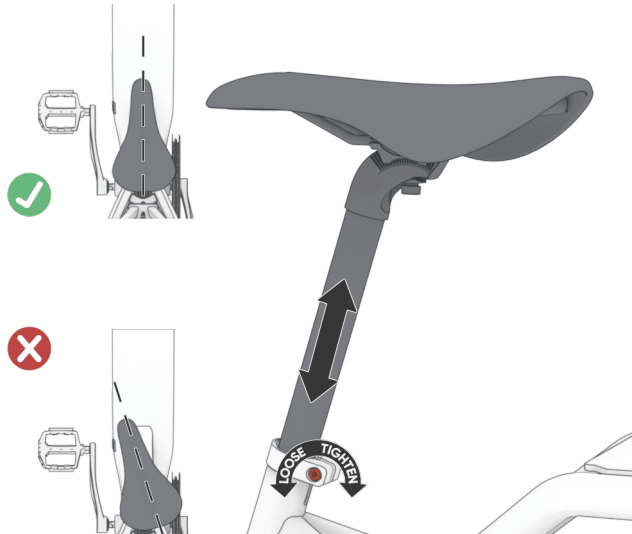
	<p>tightly fastened, and turn freely.</p> <ul style="list-style-type: none"> ● Ensure the handlebars and stem are set correctly in relation to the front wheel. ● Ensure both handlebar grips are secure and do not have excessive wear.
Chain	<ul style="list-style-type: none"> ● Ensure the chain is clean, well lubricated, and runs smoothly. ● Make sure the chain does not make any unusual noises or squeaks. ● Make sure there is no foreign material lodged in the chain links or excessive corrosion.
Bearings	<ul style="list-style-type: none"> ● Ensure the bearings in the headset, lower bracket, pedals, and both wheels run freely. ● Inspect and ensure there's no excess movement, rough feeling, grinding, rattling, or noise.
Cranks and Pedals	<ul style="list-style-type: none"> ● Make sure both pedals are securely tightened to the crank arms. ● Ensure the pedals turn freely, not bent or damaged in any way. ● Make sure the crank arms are securely fastened to bottom bracket shaft and not bent.
Rear Derailleur, Shifter, and Shift Cable	<ul style="list-style-type: none"> ● Check that the derailleur is adjusted well and function properly. ● Ensure the shifter is functioning properly when shifting up and down through gears. ● Ensure the chain is not making noise in all gears. ● Ensure the derailleur is moving freely, tightly secured with the shift cable, and without any objects tangled in it. ● Ensure the shift cable is not damaged in any way and is properly adjusted.
Frame, Fork, and Seat	<ul style="list-style-type: none"> ● Make sure the frame and the front fork are not bent or damaged in any way. ● Inspect frame and fork for any cracks in the paint at the welded joints, as this may indicate damages to the frame or a broken weld.

	<ul style="list-style-type: none"> ● Make sure the seat is properly adjusted and the quick release is securely tightened. ● Ensure both wheels in the front and rear are evenly spaced.
Motor and Rear Wheel Assembly	<ul style="list-style-type: none"> ● Ensure the hub motor spins smoothly in both directions. ● Ensure the motor power cable is not damaged and secured well to the frame. ● Ensure the hub motor bolts are tight and there is no sign of damage to the rear dropouts. ● Ensure the spokes are tight and do not appear to be damaged in any way.
Battery	<ul style="list-style-type: none"> ● Make sure the battery is fully charged before using the ebike. ● Inspect the battery to ensure there is no damage to the battery, the electrical connectors are in good condition, and the mounting features are in good condition. ● Insert one side of the battery into the lower battery holder and lock the other side into the upper holder. Make sure the battery is held firmly in position by the lock. ● Pull lightly on the battery to make sure it will not come out after being locked. ● Turn on the HMI display to confirm that the battery is well engaged and fully charged.
Electrical Cables and Lights	<ul style="list-style-type: none"> ● Inspect all visible electrical connectors to confirm they are connected completely. ● Make sure all electrical cable grommets are in the proper position to prevent damage to electrical and mechanical cables. ● Ensure the cable insulation is not damaged and there are no exposed wires. ● Carefully inspect cables that pass under the bottom bracket to make sure the cables there are not damaged. ● Turn on all lights to ensure the headlight, taillight, and brake lights are functioning properly.
Accessories	<ul style="list-style-type: none"> ● Ensure all reflectors on bike are properly secured and visible.

Other, and PPE	<ul style="list-style-type: none"> ● Ensure the rear rack or any other items are securely fastened to the frame. ● Ensure the fenders and mounting hardware are secure. ● Make sure the kick stand is functioning properly and fasteners are tight. ● Inspect the helmet and any other PPE to ensure they are not damaged and function properly. ● Ensure the rider is wearing a helmet or other required PPE, and is familiar with riding laws.
----------------	---

GENERAL NOTES ABOUT ASSEMBLY

Seatpost Height Adjustment



Loosen the adjusting bolt of the seat clamp and adjust the seat tube to the appropriate height. Then lock the seat clamp and make sure the stationary ladle faces forward.

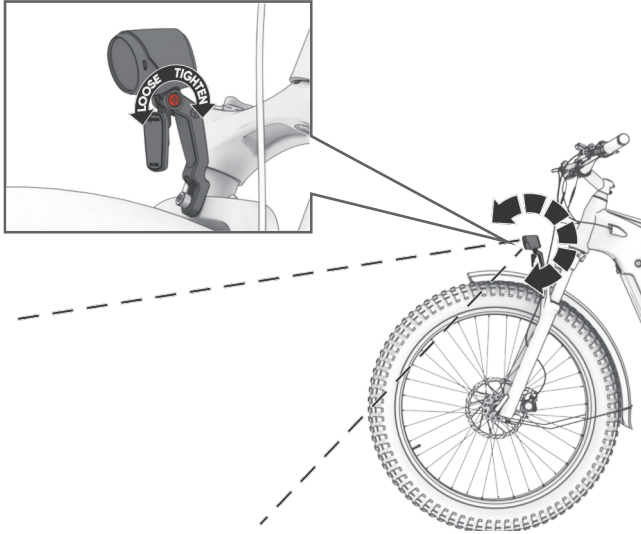


WARNING! Do not set the height of the seat tube too high and over the warning line, for this may cause the seat tube to fall off and lead to risk.



NOTICE: Sit on the e-bike with the pedal in the 6 o'clock position. Make sure the angle between your calves and thighs is between 145 and 155, as this is the best position of the seat that fits you best. Maybe it's difficult for you to touch the ground at this height, which is normal. But at this height, you are able to generate the power better and protect your knees.

Head Lights Angle

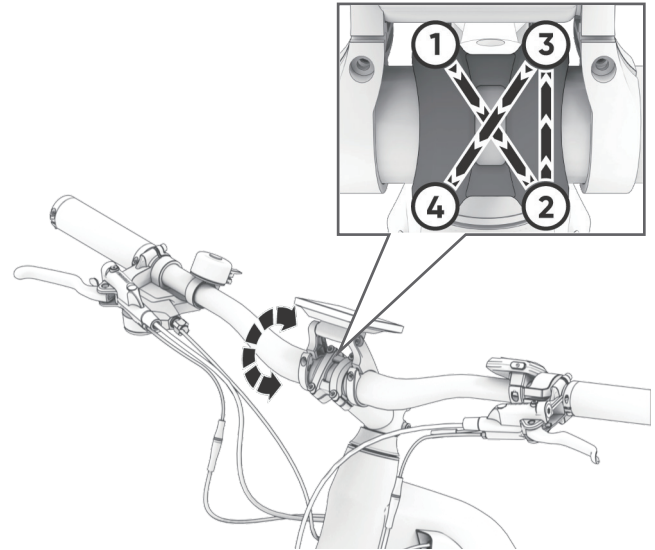


Loosen the screws on the side of the headlight bracket with a Phillips screwdriver.

Adjust the angle of the headlight and observe the light from it. Make sure it fully illuminates the ground area ahead.

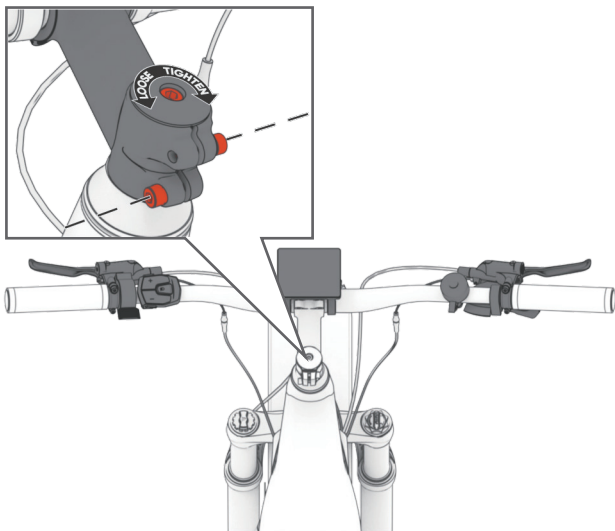
After adjustment, secure the headlight bracket with a Phillips screwdriver. It's not recommended to adjust the headlight angle too high to affect the line of sight of oncoming cars.

Handlebar Adjustment



Loosen the front bolt on the stem and adjust the handlebar to the right angle

Then tighten the front bolts in a diagonal sequence.



Loosen the screws on the stem and stem cap, push the front wheel against the wall, and adjust the direction of the stem so that it is in line with the front wheel. Make sure the handlebar is perpendicular to the front wheel and press down on the handlebars and tighten the stem cap screw. Finally, make sure that the handlebar is perpendicular to the front wheel and tighten the screws on both sides of the stem.



WARNING! Make sure that the handlebar is firmly fixed. If rotate the handlebar but find its connection with the front fork is loose, please adjust the handlebar according to these steps again.



NOTICE: The position of the brake, bell, switch, display, and other components on the handlebar can be adjusted after loosening the bolt. Everyone's physique and riding habits are different, please adjust the components to the position for better operation.



WARNING! Please ensure that the bolts are tightened after all adjusting to avoid losing during the ride, causing the risk of losing control.

HMI DISPLAY CONTROL

WARNING! When riding the Electric bicycle, using the Power Assist or Controls may distract you, which may affect your control of the E-bike and cause unexpected injury. Please only access the information after parking well or under safe traffic conditions.



The top speed is 20MPH (32KM/H) on pure throttle, and with pedal power, it could be 28MPH (45KM/H).

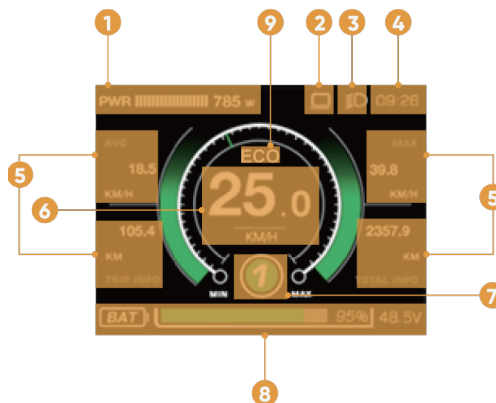
Avoid changing the Power Assist level on a slippery surface as it could cause you to lose control. If you must, Do reduce speed and use extra caution.

HMI Display Buttons

#	Icon	Button name	Action
1		Power-on	Turn on/off the display
2		Adjust up	Increase the assist level

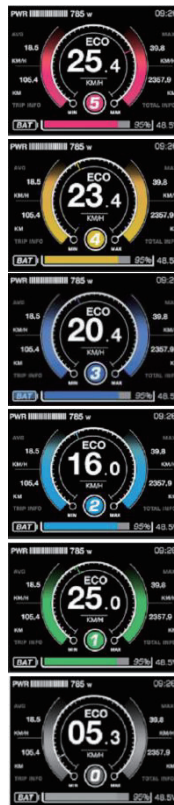
3		Adjust down	Decrease the assist level Adjust the assist mode (HOLD)
4		Light-on	Turn on/off the light
5		M button	Long press "M" button for 10s to enter the parameter setting interface

HMI Display Information



#	Contents	Description
1	Power Output Indicator	Shows the motor output power during ride.
2	Bluetooth Connection Indicator	Shows when the Bluetooth is connected
3	Headlight Indicator	Shows when the headlight is on
4	Time Indicator	Shows the current time
5	Secondary Display	Shows the average speed Shows the Max. speed Shows the current trip distance Shows the total distance the bicycle has traveled
6	Speed Indicator	Shows the current speed
7	PAS Level Indicator	0 - 5 (0 = no motor support, 5 = full motor support)
8	Battery Indicator	Shows the battery level and voltage
9	Assist Mode	ECO (Economic Mode); SPORT (Sport Mode), BOOST (Extreme Mode)

Changing PAS Level



PAS 5

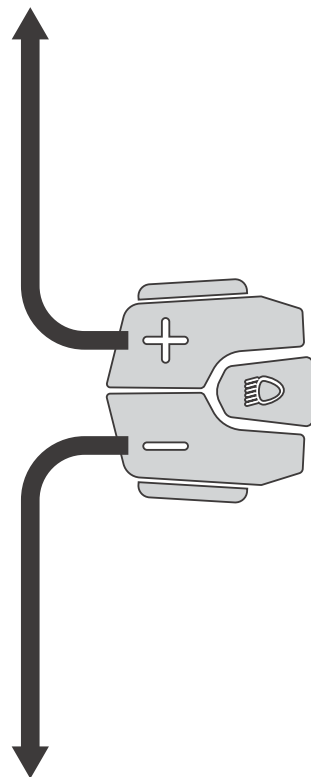
PAS 4

PAS 3


PAS 2


PAS 1

PAS 0



Light Control




Power on, tap the  to turn on the headlight and the rear light and the screen dims;

Tap the  again to turn off the headlight and the rear light.

Assist Mode	Assist Level	Cadence (RPM)	Max Speed (MILE/H)	Max Range (MILE)
ECO	PAS 1	50	18.1	115.1
	PAS 2	50	19.8	65.1
	PAS 3	50	23.1	49.5
	PAS 4	50	23.7	46.0
	PAS 5	50	29.0	32.8
SPORT	PAS 1	50	18.6	65.1
	PAS 2	50	22.7	45.6
	PAS 3	50	24.0	34.2
	PAS 4	50	27.3	33.2
	PAS 5	50	29.1	24.4
BOOST	PAS 1	50	19.3	49.5
	PAS 2	50	26.6	34.2
	PAS 3	50	27.7	33.2
	PAS 4	50	28.7	28.4
	PAS 5	50	29.1	21.6




Walk Assist Interface

- In the PAS 0 state, tap the  for 1S and the Walk Assist icon appears.
- Long press the  for 3S to enter the walk assist mode and do not release the key. At this time the Walk Assist icon flashes, and the e-bike starts to operate at a speed of 4MPH(6KM/H).
- Release the  to exit the walk assist mode.



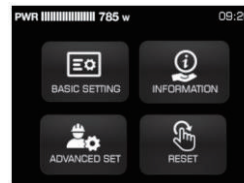
Changing Assist Mode




- Press and hold  for 2S to switch the assist mode: **ECO** (Economic Mode); **SPORT** (Sport Mode), **BOOST** (Extreme Mode).

Info Interface

10S after startup, press the  to enter the Info Interface and see the contents as follows:

Battery Information	Shows the battery information of the display, including battery voltage, remaining capacity, battery health, and battery temperature.
Motor Information	Shows power statistics, including the average power output of the motor, maximum power, remaining mileage and the temperature of the controller.
Assist Mode Usage Statistics	Shows the usage time statistics of different assist modes during riding; (PAS 1-PAS 5 cycling frequency).




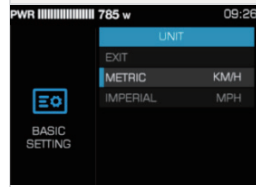
- Press   to switch between different settings;
- When switching to the required item, press the  to confirm.

Basic Setting

The description of each function is as following:

Option Interface

- Long press the  within 10S after booting to enter the setting inter-face as shown below:

Interface	Setting item	Description
	Unit setting	Switch instrument display units between metric and imperial systems.

	Time setting	Set the display time. The display time on the CYKE e-bike may differ from the local time, so you need to set the time by yourself.
	Maintenance reminder	Set the maintenance reminder cycle and the default is 5000km.
	Backlight level setting	Set the backlight level.
	Auto shutdown time	Set the automatic sleep time of the display and power assist system after stopping the ride.

	Power on Password setting	Users are allowed to set a 4-digit power-on password.
--	---------------------------	---

Information

Interface	Display item
	Display information
	Battery information







Click YES to clear all setting data and restore the Factory Default Setting.

Data Clearance

This function is mainly used to clear information such as single mileage, average speed, and maximum speed.

Advanced Setting

This function is only open to specific groups, such as vehicle manufacturers, dealers, and those who are with professional technical capabilities. Based on specific protocol content, the Advanced Setting function allows you to modify or set controller and system parameters through the instrument end. Necessary system debugging and maintenance are allowed to proceed through the Advanced Setting. However, improper parameter setting or other setting problems will cause the vehicle system to fail to work normally, or even other problems.

- 10S after startup, long press the  until the Data Clearance Interface.
- Tab the  to choose the object in the dialog box, then tab the  to confirm clearing the data.
- Long press the  or leave it inactive for 30S to exit the Data Clearance.

Reset

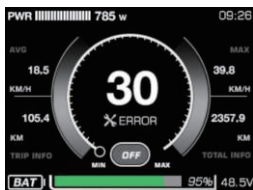


After data clearing, the TRIP distance, average speed, maximum speed, and Assist Mode usage statistics return to zero. The TOTAL distance data (ODO) can not be cleared by

any operation on the instrument end but needs to be done by professional maintenance tools.

Error Information

The fault of the e-bike will be shown on the display as a warning. When the fault is detected, the interface of the instrument displays the fault code which blinks at 1Hz. When a fault code shows, the key function will not be affected. That is, when the fault code is displayed, you can press the key to return to the normal interface. And if there is no operation, the instrument will return to the fault code display after 5S.



NOTICE: You can download CYKE Assistant and bind it with your e-bike, and quickly locate faulty modules through its Fault Test function.

CYKE Assistant

The CYKE Assistant app is a software tool for the CYKE e-Bike. Connected with the CYKE e-bike via Bluetooth, it allows

riders to track riding data, view e-bike info, and manage the e-bike easily, providing a superior and joyful ride.

Various Function Modules:

Virtual Dashboard – Control your e-Bike and master the riding data on the app

Hardware Management – Use the app for checking hardware info and managing e-Bike

Fault Detection – Use the app to detect faults, report errors, and guide repairs.

Battery Management – Equipped with BMS (Battery Management System) to master battery info and status.

Information management – Register and manage user information through the app.

For IOS users, please search for CYKE Assistant on the APP Store or scan the QR code below to download



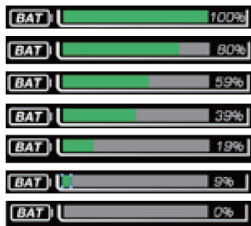
For Android users, please search for CYKE Assistant on Google Play or scan the QR code below to download



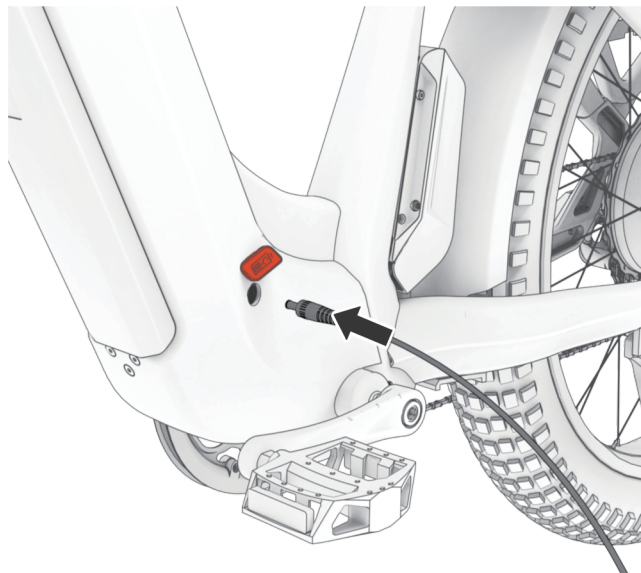
BATTERY AND CHARGER

As previously mentioned, your E-bike includes a powerful high-performance Lithium-ion battery which is assembled into the frame and is also removable. Be mindful of the energy stored in your battery and make sure you read and follow the below instructions regarding handling, charging, storing, and cleaning. Not following these instructions may have serious consequences and can result in a fire, which may seriously injure you and/or other people.

Battery Charging



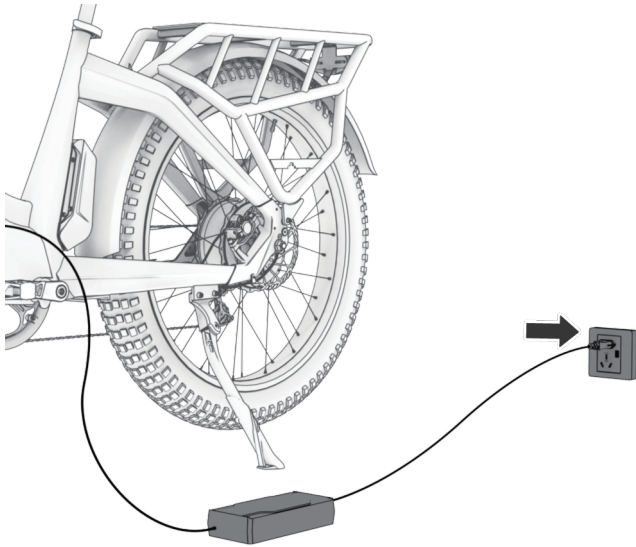
The power bar flashes when the battery level is 0



Open the charger cover. Insert the charger probe into the charger port. Make sure the connector is free from dirt, and debris, and dry before connecting the charger to the battery.

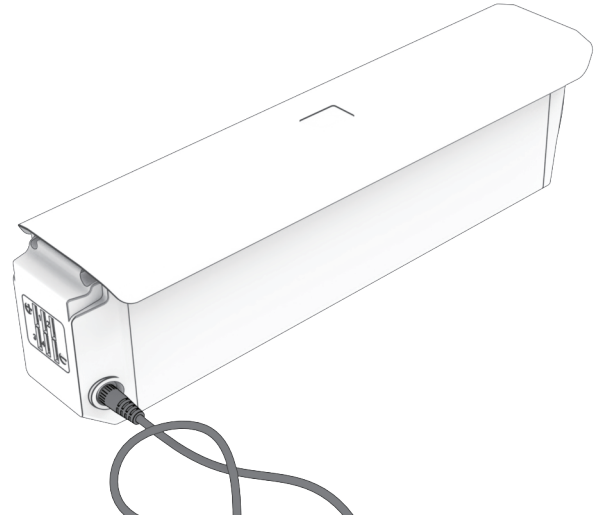


WARNING! You must plug the charger into the battery's charging port first before plugging the charger into the power outlet.



Insert the AC plug into an AC outlet. The red indicator light turns on and will remain red until the battery is fully charged. The indicator light turns green once the battery is fully charged.

When charging is complete, unplug the AC plug from the power outlet first, then disconnect the charging plug from the battery charging socket. Close and seal the charge port cover to seal it against water and debris.

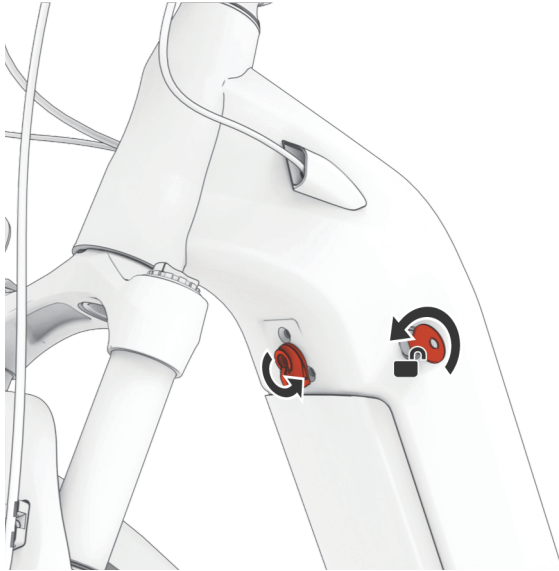


The CYKE battery may be charged while on the bike or removed from the CYKE bike in a dry location for charging. Refer to the Battery Removal and Insertion for more instructions.



WARNING! Only use the battery charger that is provided with your CYKE bike to charge the battery. Connect the charging plug (110/240-volt plug) to the power outlet.

Battery Removal and Insertion



Insert the key and turn left to open the first lock. While holding the top of the battery with your hand, turn the safety lock in the direction of the arrow shown with the other hand.



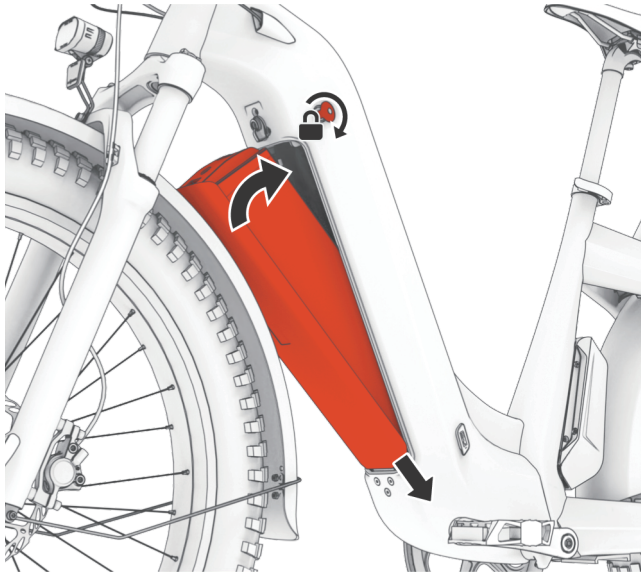
NOTICE: Be sure to keep the keys supplied with your e-bike in a safe place, storing each separately is also suggested. If the keys are lost, the entire lock mechanism will need to be replaced.



As shown in the picture, carefully remove the battery.



CAUTION: Be careful not to drop the battery when removed from the bicycle. A hard enough impact can potentially damage the battery even if it may not be visible from the outside but can render the battery unsafe.



When installing the battery, first insert the low end of the battery into the internal slot in the bottom of the downtube smoothly. Then push the upper end of the battery into the downtube and turn the key to the right to lock it.

Operating Instructions



WARNING! Please read and familiarize yourself with the following Important Safety Instructions pertaining. Failure to adhere to these safety warnings can lead to severe injury or death.

Put the battery on a solid non-flammable surface when in use. The battery and charger should be laid flat on the surface so ports and plugs are horizontal, otherwise, the charge port and plug connecting to the socket may be damaged in other ways. To check the present Battery Capacity, turn on the display, and the information will be shown. Always unplug the battery and charger when not in use.

Connect the charger to the battery, and the indicator on the charger shows red light to indicate that the battery is charging. A completely discharged battery will need about 5.5 hours to be fully charged. After charging is complete, the indicator on the charger turns green. There is not any switch on the charger, so please disconnect the battery when it is completely charged. Do not push the bicycle pedals when the battery is charging on the bicycle, as it may damage the charge socket on the battery. The battery can be charged both on or removed from the e-bike but must not be moved during charging cycle.

Avoid using damaged, wet, or dirty power cable or socket as they may cause electric shock that can be a fatal injury.

When charging, ensure no flammable material is near the battery since it may generate heat.

Stop charging the battery immediately if it becomes too hot to touch, emits a strong odor, or has any other signs of overheating.

Do not charge the battery on a carpeted floor.

Do not cover the battery and charger during charging.

Use the battery charger provided with the product only. Applying the other charger which is not provided by the product may cause battery overheating and explosion.

Use a dry and undamaged power cable and charger only.

Replace a damaged power cable or charger immediately.

Before connecting a power cable, remove foreign matters at the charger port, such as dust, ice, and snow.

The battery and charger shall not be repaired. Do not try to disassemble or modify the battery or charger.

Do not use a battery with a damaged case.

Keep the battery away from children.

Do not put the battery in water.



WARNING! Check your bike as soon as possible after partial or complete submersion. Most likely its electrical system has been damaged and is unsafe to use. Carefully remove the battery pack from the bike and take it to a safe location OUTDOORS, away from flammable materials. To properly dispose of the battery, place it in a clear plastic bag and take it to your municipal household hazardous waste drop-off center. To find the closest facility in your area check with your local City Hall or Fire Department.



WARNING! UNDER NO CIRCUMSTANCES should you attempt to charge a battery pack that has been partially or totally submerged in water. Attempting to charge a compromised battery can result in a very dangerous fire that generates significant heat, toxic gasses and is extremely difficult to control.

Battery Storage

If the E-bike or the battery will not be used for a long time, comply with the following instructions during storage:

- Do not store the battery in an environment with temperatures below -20°C (-4°F) or above 45°C (113°F).
- Do not expose the battery to an environment with fluctuating temperatures. The ideal storage temperature

range is between 10°C (50°F) and 25°C (77°F).

- Store them in a dry environment to protect the battery against moisture to avoid the corrosion of electrical contacts.
- Do not store the battery near the flammable items.

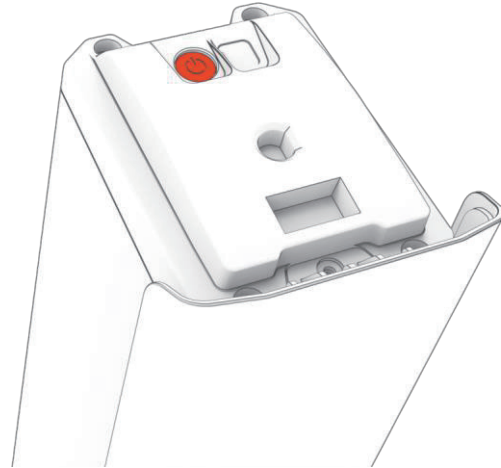
The battery will switch to offline if not be charged in time under the following circumstances:

- When the battery level reaches to 0%, it will enter sleep mode within 10 minutes.
- When the battery level is between 0%~10%, it will enter sleep mode in 48 hours.
- When the battery level is above 10%, it will enter the sleep mode in 14 days.

Please completely charge before returning battery and bike to normal use.



WARNING! Deep discharge of the battery may cause the internal short circuit. Heating the battery to very high temperature may cause fire. Avoid deep discharge during the use and storage of battery. When not in use, the battery shall be fully charged once every 2 months at least. Do not carry a deep-discharged battery on the E-bike.



When the battery switches to offline, you need to long press this button or charge the battery to wake up the power supply before restoring the normal use of your e-bike.

MAINTENANCE

Basic Bike Care

To ensure safe riding conditions you must properly maintain your bike. Follow these basic guidelines and consult a certified bike mechanic at regular intervals to ensure your bike is safe for use and fun to ride.

Properly maintain batteries by fully charging them every two weeks or more often. Please check the Long-Term Battery Storage section for information about storing the battery for longer than two weeks before the next rides.

- Never immerse or submerge the bike or any components in water or liquid as the electrical system may be damaged.
- Periodically check wiring and connectors to ensure there is no damage and the connectors are secure.
- As for cleaning, wipe the frame with a damp cloth. If needed, apply a mild non-corrosive detergent mixture to the damp cloth and wipe the frame. Then wipe it with a clean, dry cloth.
- Store the e-bike under shelter and avoid leaving it in the rain or exposed to corrosive materials. If it's exposed to rain, dry your bike and apply anti-rust treatment to chain and other unpainted steel surfaces.

- Special care should be given to extend the life of your bike when used in coastal areas or areas with salty air or water as riding there exposes your bike to salt, which is very corrosive. Wipe down your bike frequently and wipe or spray all unpainted parts with anti-rust treatment as damage from corrosion is not covered under warranty.
- If the hub and bottom bracket bearings have been submerged in water or liquid, they should be taken out and regreased. This will also prevent the bearing from accelerated deterioration.
- If the paint has become scratched or chipped off, use touch up paint to prevent rust. Clear nail polish can also be used as a preventative measure.
- Regularly clean and lubricate all moving parts, tighten components, and adjust them as required. Regularly inspect all pre-attached and optional component hardware to ensure proper torque spec, secure attachment, and good working condition.

Cleaning Your CYKE

Remove the battery pack from your bike first before cleaning the e-bike. Use a damp cloth with mild soap as needed to clean the outside of the battery. Do not insert anything into the electrical connector on battery for any reason as it should remain clean and dry when the bicycle is properly cared for.

The e-bike body can be cleaned with water from a garden hose, mild dish soap, and a damp cloth. But avoid spraying electronics on the handlebars, electrical connectors, ends of the hub motor where axle protrudes, rear cassette, front sprocket and chain. Rinse the dish soap away thoroughly with low pressure water and thoroughly dry the bike while paying extra attention to remove any water from electrical components or connectors. A hair drier or a vacuum can also be used to remove water from places that are difficult to reach.

Reinstall the battery after the e-bike has been cleaned and thoroughly dried. Make sure the battery is properly installed and locked into the e-bike.



WARNING! Never immerse the bike or any of the components in water or other liquid. This can damage the electrical system and will void your warranty.



WARNING! Never clean the bike with high pressure jetted water as it can enter the electrical components and damage them.



WARNING! Always store the bike in a dry location. Thoroughly dry the bike after riding in the rain or washing it. For standing water can enter electronics or cause corrosion resulting in damage to the electrical system.

Tire Inflation and Replacement

Select proper-size tires according to the side wall of your e-bike tires. These tires use a rubber inner tube to retain air pressure. The tires on your e-bike are designed for cycling on typical terrains and surfaces. Please only replace the tires with a similar tire design of the same size. Always check all items related to Tires and Wheels listed in the Pre-Ride Check before each ride. Properly inflated tires will help ensure the maximum tire lifespan, the best bike performance, and the possible longest riding range.

Keep your tires inflated at 5-30 P.S.I. all the time. Never exceed the maximum pressure listed on the tire side wall. Tires will lose air pressure over time., so always check the tire pressure before operating the e-bike. Low tire pressure can result in damage to the wheels that will be more difficult and expensive to repair.

When replace the tires, always choose equivalent tires with reflective side walls. All the CYKE e-bikes are equipped from the factory with this type of tires to provide the most visibility of you and your bike in low light conditions. Keep the tires clean to ensure the reflective side wall can function properly.

Recommended Service Intervals

Regular inspection and maintenance are key to ensure the e-bike function and last as intended, and to reduce wear and tear on their systems. Recommended service intervals are only used as guidelines. Real world wear and tear, and the need for service, will vary with conditions of use. We generally recommend inspections, service, and necessary replacements to be performed at the time or mileage interval that comes in the following table.

Interval	Inspect	Service	Replace
Weekly 100-200 mi (160-321 km)	<ul style="list-style-type: none"> ● Check hardware for proper torque. ● Check drivetrain for proper alignment and well function (including the chain, freewheel, chainring, and derailleur). ● Check the wheel for trueness and quiet operation (without spoke noise). ● Check the condition of frame for any damage. 	<ul style="list-style-type: none"> ● Clean the frame by wiping frame down with a damp cloth. ● Use barrel adjuster(s) to tension derailleur/brake cables if needed. 	<ul style="list-style-type: none"> ● Replace any components damaged beyond repair or broken after confirming with CYKE Product Support or a certified bike mechanic.
Monthly, 250-750 mi (402-1207 km)	<ul style="list-style-type: none"> ● Check the brake for pad alignment and cable tension. ● Check the e-bike for proper shifting and derailleur cable tension. ● Check the chain stretch. ● Check the brake and shifter cables for corrosion or fraying. ● Check the spoke tension. ● Check the accessory for mounting and alignment (rack mounting bolts, fender hardwares). 	<ul style="list-style-type: none"> ● Clean and lubricate the drivetrain. ● Check the crankset and pedal torque. ● Clean brakes and shift cables. ● True and tension the wheels if any loose spokes are discovered. ● Balance the battery. 	<ul style="list-style-type: none"> ● Replace brake and shift cables if necessary. ● Replace brake pads if necessary.
Every 6 Months, 750-1250 mi (1207- 2011km)	<ul style="list-style-type: none"> ● Inspect the drivetrain (chain, chainring, freewheel, and derailleur). ● Inspect all cables and housings. 	<ul style="list-style-type: none"> ● Receive standard tune-up by a certified, reputable bike mechanic. ● Grease the bottom bracket. 	<ul style="list-style-type: none"> ● Replace brake pads. ● Replace tires if necessary. ● Replace cables and housings if necessary.

Troubleshooting

Symptoms	Possible Cause	Most Common Solution
E-Bike does not work	<ul style="list-style-type: none"> ● Battery Deplete/Very Low battery level ● Faulty connections ● Battery not fully seated in the connector ● Improper turn on ● Blown Fuse in the battery ● Brakes applied or stuck 	<ul style="list-style-type: none"> ● Charge the battery ● Clean or repair the connector ● Reinstall battery and ensure it is completely seated ● Review the manual, follow the right start procedure ● Replace with the new fuse on the same size ● Disengage/free the brakes
Reduced Range	<ul style="list-style-type: none"> ● Low tire pressure ● A low or faulty battery ● Riding with too many hills, excessive load, headwind, applying brakes while riding. ● Battery was left discharged for a long period of time without regular charging, aged, damaged, or with voltage unbalance. ● Brakes adjusted improperly 	<ul style="list-style-type: none"> ● Adjust the tire pressure ● Check connections and fully charge the battery ● Assist the e-bike with proper pedal effort, change the route, reduce load on the e-bike, and balance the battery voltage. ● Contact Customer Service or Authorized Service shop if the reduced range persists. ● Adjust the brakes to eliminate drag when brake levers are not pulled, ensure calipers and/or pads can move freely.
Irregular acceleration and/or reduced top speed	<ul style="list-style-type: none"> ● Insufficient battery power ● Loose or damaged throttle/ PAS controller ● Damaged torque sensor in the bottom bracket 	<ul style="list-style-type: none"> ● Charge or replace the battery ● Replace the Throttle/PAS controller ● Contact Authorized Service shop for repair
Motor does not respond when e-bike is powered on	<ul style="list-style-type: none"> ● Loose or damaged wiring connection ● Loose or damaged throttle/PAS control ● Loose or damaged motor wires/plug ● Damaged motor 	<ul style="list-style-type: none"> ● Repair and/or reconnect wiring ● Tighten or replace the throttle/PAS control ● Secure, repair, or replace the damaged wires/plug ● Contact Authorized Service shop to replace the motor
Battery does not charge	<ul style="list-style-type: none"> ● Charger not connected well/completely ● Charger damaged ● Battery damaged ● Wiring damaged ● Blown Fuse in the battery 	<ul style="list-style-type: none"> ● Adjust the connections of the charger ● Replace the charger ● Replace the battery ● Repair or replace the wiring ● Reset circuit breaker or replace the fuse
Wheel or motor makes strange noises	<ul style="list-style-type: none"> ● Loose or damaged wheel spokes or rim ● Loose or damaged motor wiring ● Debris interfering with wheels 	<ul style="list-style-type: none"> ● Tighten, repair, or replace the wheel spokes or rim ● Reconnect or replace the motor wiring ● Remove debris and inspect for damage

WARRANTY POLICY

Length of Warranty

Every bicycle has a useful product lifespan. This limited warranty is not meant to suggest or imply that the frame or components can never be broken or will last forever. This limited warranty covers manufacturing defects that occur within the normal lifespan and use of the product.

For CYKE bikes, the serial number is the singular certificate for after-sales (warranty).

Before purchasing, please check the serial number in detail. In case of a worn serial number, please do not purchase the E-bike.

The electric bicycle serial number is noted on the Master Carton and the bottom tube of the frame. The battery serial number is noted on the battery pack.

Warranty Conditions

This limited warranty applies only to the original owner of the bicycle and is not transferable to subsequent owners or other

transferees of the electric bicycle. Only the original owner of an electric

bicycle purchased from CYKE online or CYKE authorized distributor or retailer is covered by Limited Warranty. The Warranty Period begins upon your receipt of the electric bicycle and shall end immediately when any sale or transfer of the electric bicycle is made, and under no circumstances shall the Limited Warranty apply to any subsequent owner or other transfer of the electric bicycle.

- Bike Frame: 5-year warranty
- All other mechanical components: 1-year warranty
- Electrical components: 2-year warranty

For any warranty claim to be considered, the E-bike must be in an assembled, reasonably clean and sanitary condition and accompanied by the original, dated sales receipt for the bicycle (be sure to keep your receipt in a safe place!).

This limited warranty is void if the bicycle is subjected to abuse, neglect, improper repair, improper assembly, lack of proper maintenance according to the owner's manual, alteration, modification, installation of incompatible parts, corrosion, an accident or other abnormal, excessive, or improper use. This limited warranty is void if the bicycle is used in a rental or bike sharing program.

Damage resulting from normal wear and tear, including the results of fatigue, is not covered. It is the owner's responsibility to regularly inspect and properly maintain his/her bicycle.

Some items that typically exhibit damage from normal wear and tear include:

- Bearings
- Bearing Races
- Chain Rings
- Cassettes
- Tires
- Tubes
- Saddles
- Chain
- Brake Pads
- Brake Disks
- Wheel Hubs
- Spokes
- Handlebar Grips
- Cables and Housing
- Bushings

Damage to a Covered Component during shipping is not covered by this Limited Warranty, but CYKE will replace such damaged Covered Components if you:

- Notify CYKE of a Covered Component damaged in the shipping process within thirty (30) days of your receipt of

the electric bicycle;

- Provide CYKE with a dated picture of the damaged Covered Component;
- Return all original packaging and paperwork included with the electric bicycle;
- Note any immediately recognizable damage on the shipper's Bill of Lading prior to signing off on the shipment. Shipping damage claims are very time sensitive and it is your responsibility to immediately inspect the electric bicycle for damage upon receipt.

Paint fading caused by the effects of ultraviolet light (UV) or outdoor exposure is not covered by this limited warranty. All labor charges for warranty service, including the transfer of components and/or any installation of new components, are the responsibility of the bicycle owner.

Due to product evolution and obsolescence (such as products that have been discontinued or are no longer kept in stock), some frames or components may not be available for older or limited edition models. In these cases, CYKE may elect to provide a replacement that it determines to be the most nearly comparable model, but sourcing and paying for components is the responsibility of the bicycle owner.

All determinations under this limited warranty will be made in the sole discretion of CYKE, including but not limited to the decision to repair or replace a defective product, and what

replacement product is the most nearly comparable product then available.

The remedies stated above are the exclusive remedies under this warranty. Any and all other remedies and damages that may otherwise be applicable are excluded, including, but not limited to, incidental or consequential damages, damages to other property, or any punitive damages.

This is the only warranty made by CYKE on its frames and components, and there are no warranties which extend beyond the description herein. Any warranties that may otherwise be implied by law including, but not limited to, any implied warranty of merchantability or fitness for a particular purpose, are excluded.

Please refer to the documents included with your bicycle for possible further restrictions.

This limited warranty gives the consumer specific legal rights. The consumer may also have other legal rights which vary from state to state or country to country. Some states and countries do not allow the exclusion or limitation of incidental or consequential damages or warranties, so the above limitations or exclusions may not apply to you. If it is determined by a court of competent jurisdiction that a certain provision of this limited warranty does not apply, such determination shall not affect any other provision of this limited warranty and all other provisions shall remain in effect.


CYKE

cykebikes.com

VERSION: V1.0

**READ THESE INSTRUCTIONS CAREFULLY
BEFORE FIRST USE AND KEEP THEM FOR
FUTURE REFERENCE.**

SUPPORT

 (888) 778-6789

 support@cykebikes.com