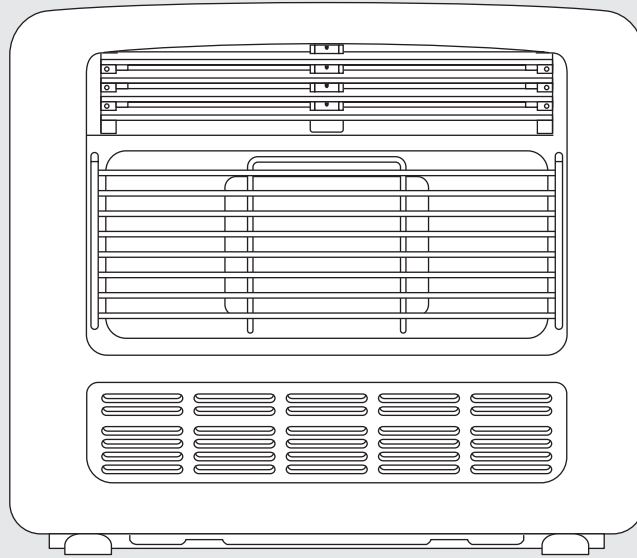


Models:

Granada 252 (REH-252UCH2)



Portable Radiant/Convection Gas Space Heater

Operation & Installation Manual

Rinnai

Congratulations on the purchase of your Portable Radiant Convection Gas Space Heater. We trust you will have many years of comfort and enjoyment from your appliance.



BEFORE INSTALLING OR USING THIS APPLIANCE

Before proceeding with the operation or installation read this manual thoroughly and gain a full understanding of the requirements, features and operation of your new appliance, to ensure safe and correct installation and use.

This appliance must be installed in accordance with:

- Manufacturer's Installation Instructions
- Current AS/NZS 3000 & AS/NZS 5601
- Local Regulations and Municipal Building Codes including local OH&S requirements

This appliance must be installed, maintained, removed and serviced **ONLY** by an Authorised Person.

Service and removal must be carried out by an authorised person.

The installation must also comply with the instructions supplied by Rinnai.

For continued safety of this appliance it must be installed and maintained in accordance with the manufacturer's instructions.



**The Australian
Gas Association**
All Rinnai gas products
sold in Australia are
A.G.A. certified.

The Rinnai Granada 252 (REH-252UCH2) has been certified by the Australian Gas Association.

The AGA Certification Number is shown on the appliance dataplate.

No parts or functions should be modified or permanently removed from the heater.

Please keep these instructions in a safe place for future reference.

TABLE OF CONTENTS

Warnings & Important Information	5
Regulatory Information	5
General Safety Warnings	6
Operational Safety Warnings	7
Safety Devices	9
Carton Contents / Item Checklist	10
General Information	11
Before Installation	11
Before Use	11
Service	11
Features	11
Installation	11
Operation	12
Connect Gas And Plug Into Power Point	12
To Increase the Heat	13
To Decrease the Heat	13
Fan	13
To Turn the Unit Off	13
Care & Maintenance	14
Oxygen Depletion Sensor	14
Outer Case	14
Rinnai Guarantee of Quality	14
Guarantee Information	14
Trouble Shooting Checklist	15
Service	15
Installation Instructions	16
Specifications	16
Unpacking	16
Included in Carton	16
Before Installation	16
Before Using the Heater	16
Installation General	17
Specifications	18
Wiring Diagram	19
Dimensions	19
Contacts	20



This page is intentionally blank

WARNINGS & IMPORTANT INFORMATION



READ ALL INSTRUCTIONS BEFORE USING THE APPLIANCE.

Always comply with the following precautions to avoid dangerous situations and to ensure optimum performance.

Failure to carefully read and follow all instructions in this manual can result in equipment malfunction, property damage, personal injury and/or death.

DANGER: Indicates an imminently hazardous situation which, if not avoided, will result in personal injury or death.

WARNINGS: Indicates a potentially hazardous situation which, if not avoided, could result in personal injury or death.

CAUTIONS: Indicates a potentially hazardous situation which, if not avoided, could result in minor or moderate injury or damage to the appliance. It may also be used to alert against unsafe practices.



REGULATORY INFORMATION

This appliance shall be installed in accordance with:

- Manufacturer's Installation Instructions.
- Current AS/NZS 3000 & AS/NZS 5601.
- Local Regulations and Municipal Building Codes including local OH&S requirements.

This appliance has been certified by the Australian Gas Association. The A.G.A. Certification Number is shown on the data plate.

This appliance **MUST** be installed, maintained and removed **ONLY** by an authorised person.

For continued safety of this appliance it **MUST** be installed and maintained in accordance with the manufacturers instructions.

Take care when opening or unpacking this appliance. Failure to do so may result in serious injury or product failure.

DO NOT modify the electrical wiring of this appliance. If the power cord is damaged or deteriorated then it must be replaced by an authorised person. Failure to do so may result in electric shock, fire, serious injury or product failure.

Please keep this instruction booklet in a safe place for future reference. All dimensions referred to in these instructions are in millimetres, unless otherwise specified.



MANDATORY INSPECTION PRIOR TO INSTALLATION OR USE

Immediately report any damage or discrepancies to the Supplier of the appliance. This appliance was inspected and tested at the time of manufacture and packaging, and released for transportation without known damage. Upon receipt, inspect the exterior for evidence of rough handling in shipment. Ensure that the appliance is labelled correctly for the gas and electrical supply, and/or other services it is intended to be connected to.

For safety and warranty purposes, appliances that may be damaged or incorrect **MUST NOT** be installed or operated under any circumstances. Installation of damaged or incorrect appliances may contravene local government regulations. Rinnai disclaims any liability or responsibility whatsoever in relation to the installation or operation of damaged or incorrect appliances.



A NOTE ON ILLUSTRATIONS

The illustrations used in this manual are for explanatory purposes only and the shape of your unit may vary slightly from that which is shown in this manual.



GENERAL SAFETY WARNINGS

Failure to comply with these instructions could result in a fire or explosion, which could cause serious injury, death or property damage.

Improper installation, adjustments, service or maintenance can cause serious injury, death or property damage. Such work **MUST BE** performed by an authorised person.

The appliance **MUST BE** installed in accordance with local gas and electrical authority regulations. Check with your local gas authority or supplier if you are unsure of the regulations. The room where this heater is installed **MUST BE** correctly ventilated. This heater **MUST NOT** be installed in a room smaller than 125 m² (W.A. 62.5 m³)

For information on gas consumption, see data plate on the appliance.

This appliance **MUST NOT** be installed where curtains or other combustible materials could come into contact with it. In some cases curtains may need restraining.

WARNING: This heater **MUST NOT** be used if either of the glass panels are damaged.

When considering installation ensure minimum clearances as follows are adhered to, refer Fig. 1.

Heat radiating from the front of this heater may over time affect the appearance of some materials used for flooring such as carpet, vinyl, cork or timber. This effect may be amplified if the air in the room contains cooking vapours or cigarette smoke. To avoid this possibility, it is recommended that a mat or similar protective sheet be placed in front of the appliance, extending at least 750 mm in front of the wire dress guard (1000mm Clearance to furniture).

This appliance is not intended for use by persons (including children) with reduced physical, sensory or mental capabilities or lack of experience and knowledge, unless they have been given supervision or instruction concerning use of the appliance by a person responsible for their safety.

DO NOT use for any other purpose other than heating.

The wire dress guard supplied with this appliance must not be permanently removed as it fulfils an operational safety function. Additional dress guards including free standing types may be used in conjunction with, but not replace, the dress guard supplied with this appliance.

The appliance is not intended for use by young children or infirm persons without supervision. Young children and the infirm **SHOULD** be supervised at all times when in the vicinity of this heater while it is in operation.

If the supply cord is damaged or requires replacing, it must be replaced by the manufacturer or the manufacturer's agent or similarly qualified person in order to avoid a hazard.

The heater must not be located immediately below a power socket outlet.

A dedicated accessible 240 V earthed 10 Amp power point must be used with this appliance.

DO NOT MODIFY THIS APPLIANCE. Modifying from original specifications may create a dangerous situation and will void your warranty.

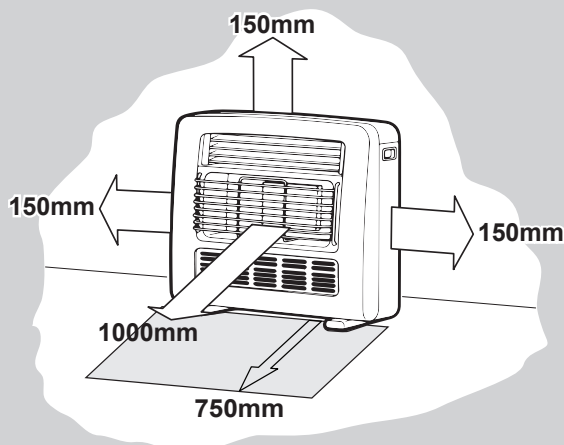
Unpack the heater and check for damage. **DO NOT INSTALL A DAMAGED HEATER.** If the heater is damaged, contact your supplier for advice.

Before installing the heater, check the label for the correct gas type (refer data plate, inside the appliance).

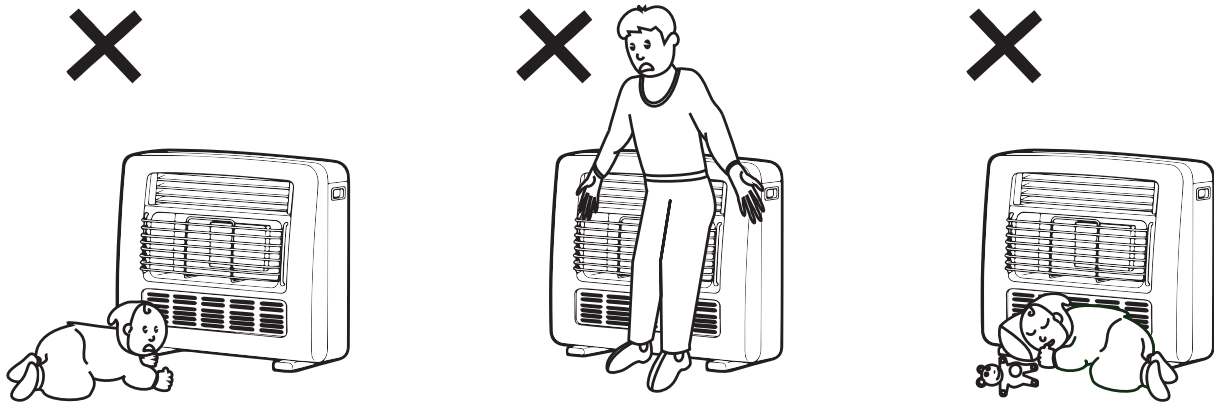
Refer to local gas authority for confirmation of the gas type if you are in doubt.

Paper or other material **MUST NOT** be burnt in this appliance.

DO NOT connect to an LPG cylinder indoors.



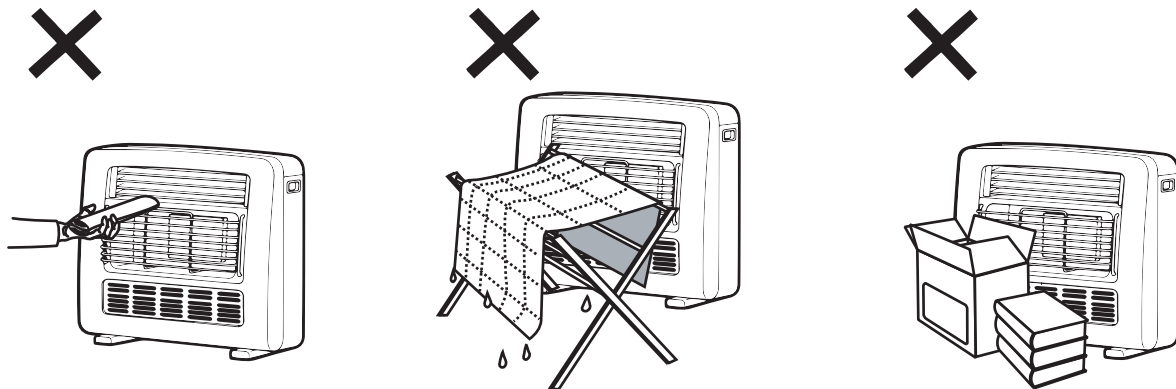
OPERATIONAL SAFETY WARNINGS



The appliance is not intended for use by young children or infirm persons without supervision. Young children should always be supervised to ensure that they **DO NOT** play with the appliance.

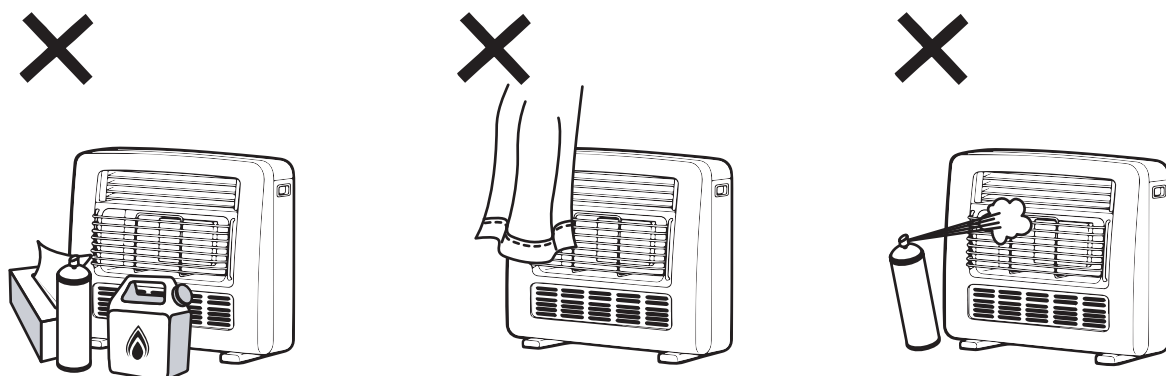
DO NOT sit or lean against the heater.

DO NOT allow children or elderly persons to sleep in the warm air discharge from the heater.



DO NOT insert or allow children to insert articles into the louvers of the heater.

DO NOT place articles in front of the louvers.



DO NOT operate / install this heater in areas where painting is taking place, or in places such as hairdressing salons, where there may be fluff and dust, and where aerosols are used.

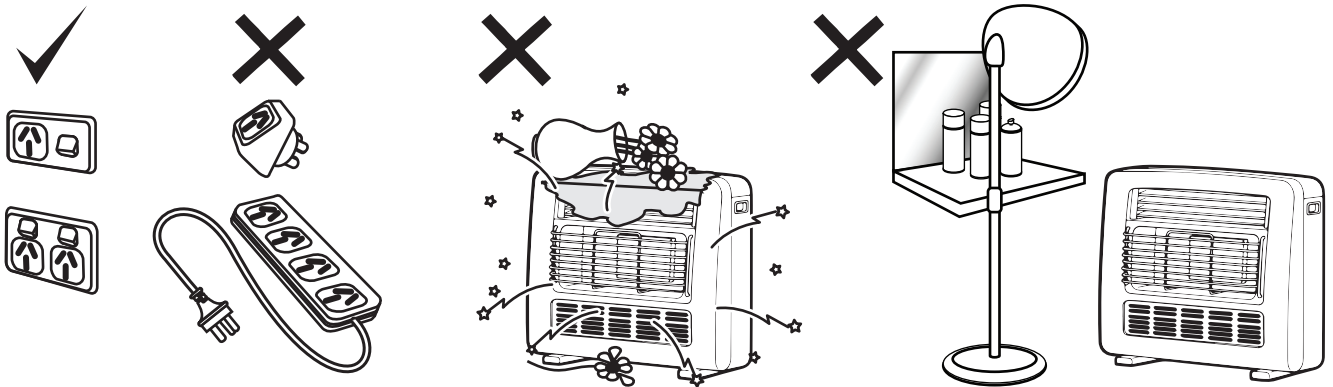
DO NOT cover or place articles on or against this appliance.

DO NOT use or store flammable materials in or near this appliance. Keep flammable materials away from heater.

Combustible materials **MUST NOT** be placed where the heater could ignite them.

DO NOT spray aerosols in the vicinity of this appliance while it is in operation. Most aerosols contain flammable substances which can be a heater hazard if used near this heater when it is in use.

GENERAL INFORMATION



A dedicated 240V earthed 10 Amp power point **MUST BE USED** with this appliance.

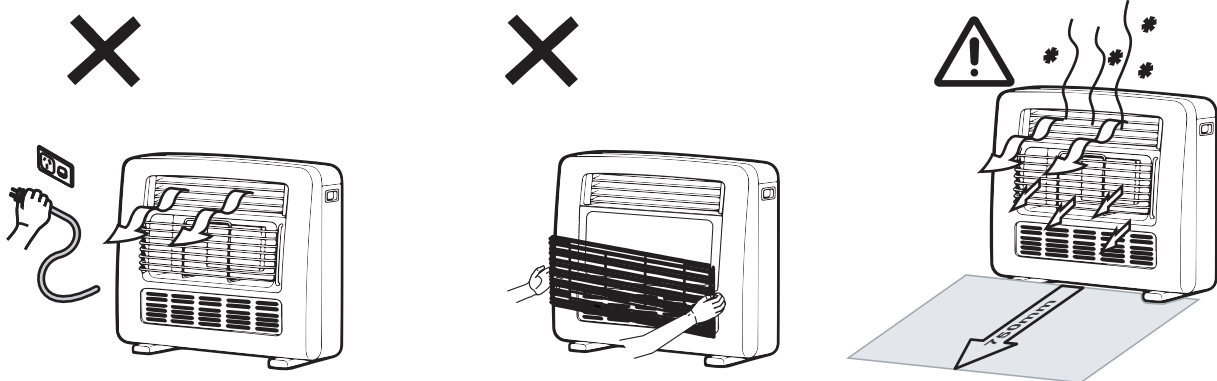
DO NOT use power boards or double adaptors to operate this appliance. The heater **MUST NOT** be located below a power socket-outlet.

DO NOT unplug the heater while it is in operation or while the fan is still cycling.

DO NOT place containers of liquid on top of the heater. Water spillage can cause extensive damage to the appliance and create an electrocution hazard.

DO NOT operate / install this heater in areas where painting is taking place, or in places such as hairdressing salons, where there may be fluff and dust, and where aerosols are used.

DO NOT connect to an LPG gas cylinder indoors.



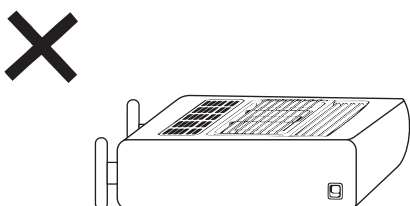
Turn the heater 'OFF' after use.

DO NOT remove the Wire Dress Guard. The dress guard is fitted to this appliance to reduce the risk of fire or injury from burns and no part of it should be permanently removed. For protection of children or the infirm, a secondary guard is recommended.

Heat emanating from the front of the appliance may over time affect the appearance of some materials used for flooring such as carpet, vinyl, cork or timber. This affect may be amplified if the air in the room contains cooking vapours or cigarette smoke. To avoid this possibility, it is recommended that a mat be placed in front of the appliance, extending at least 750 mm in front of the heater.

When the heater is operated for the first time or after long periods of non use a slight odour may be emitted, this is normal. However if odours persist switch 'OFF' the appliance and contact Rinnai.

DO NOT place or store the appliance in a tilted position.





The guard on this appliance conforms to A.G.A. requirements. It is designed to prevent the risk of fire or injury from burns, and no part of it should be permanently removed.

IT DOES NOT GIVE FULL PROTECTION TO YOUNG CHILDREN OR THE INFIRM.

SAFETY DEVICES

Oxygen Depletion Sensor

This system turns the heater off if the oxygen level in the room falls below a pre-set level. This can be caused by lack of ventilation, or using the heater in a room which is too small. Before relighting, ventilate the room, then follow the ignition procedure. Annual cleaning is recommended, this should be carried out by Rinnai or our agent.

Flame Failure Sensing System

If the flame goes out during operation, the flame failure device automatically cuts off the gas supply to the heater. To restore the gas supply, turn the heater off, wait 30 seconds, then follow the ignition instructions.

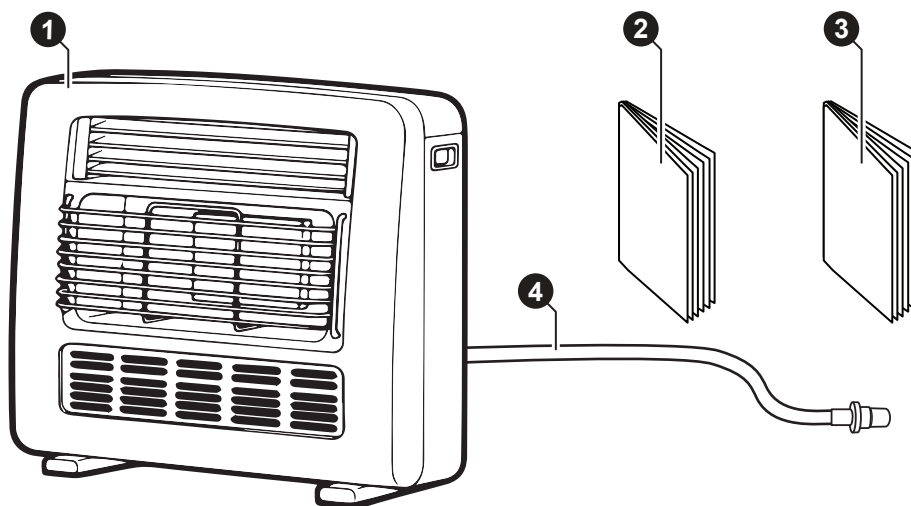
Tilt Switch

If the heater is knocked over, the tilt switch will cut off the gas supply. To restore the supply, stand the heater up and follow the ignition procedure. The tilt switch may also operate if the heater is jolted or picked up while in operation.

When the tilt switch cut-off function stops operation, make sure you replace the appliance back into its correct position. If you want to operate the heater again, please wait for at least one minute after cut-off before using.

CARTON CONTENTS / ITEM CHECKLIST

The components for Rinnai's Granada 252 heater is supplied in a single carton. The following table lists the components that are in this carton. Ensure that all the components listed are present before proceeding with the installation.



CARTON CONTENTS COMPONENTS DESCRIPTION		QUANTITY
(1)	Granada 252 (REH-252UCH2)	1
(2)	Operation and Installation Manual.	1
(3)	Warranty Booklet.	1
(4)	1.5m gas hose with bayonet fitting (attached to heater).	1



*** Installer please note that this item is shipped inside the heater, below the gas control on the bottom right hand side of the appliance.**

GENERAL INFORMATION

BEFORE INSTALLATION

When fitted in a carpeted room this heater must always be fitted on top of the carpet. The carpet must never be cut to fit around the heater. The heater may be impossible to dismantle for service if the bottom panel is obstructed by carpet.

BEFORE USE

This heater discharges a large volume of warm air at low level to provide even heat distribution. If the air in the room contains cooking vapour or cigarette smoke, and the heater is used on a carpet, the surface of the carpet may become discoloured. In addition, some types of carpet contain dyes that may be affected by the warm air flow.

Some vinyl surfaces are also subject to distortion discolouration by warm air. To prevent discolouration of carpets etc., a mat should be placed in front of the appliance, extending about 750mm in front of it.

SERVICE

Rinnai Australia has a service and spare parts network in all states. Our service network personnel are fully trained and equipped to give the best service on your Rinnai appliance. If your appliance needs service, please contact Rinnai, refer to the back cover for contact details.

Rinnai recommend that this appliance be serviced every 2 years.

FEATURES

1. Fan assisted, radiant/convection flueless space heater.
2. Push button top mounted control for easy operation.
3. Electronic automatic ignition.
4. Large capacity fan to circulate warm air effectively.
5. Two setting fan control to turn the fan on and off and match the 2 speed fan to the heat output at all times.
6. Your heater can be used during a power failure.
7. Flame failure device which cuts the gas off if the flame should be extinguished.
8. Oxygen depletion sensing system which shuts the heater off if the oxygen level in the room falls below a pre-determined level.
9. Jewel cut plaque burner for quick heat up.
10. Complete with 1.5 metre, approved gas hose, ready to plug into your bayonet connection.
11. Tilt switch which cuts the gas off if the heater is knocked over.
12. Hose retaining clips and cord storage holder.

INSTALLATION

This heater must be installed only by an authorised person, the installation must conform to local regulations.

The installation must also comply with the instructions supplied by Rinnai.

Service and removal must be carried out by an authorised person.

OPERATION

For trouble free operation, please read the following information carefully.

For your convenience, the controls on your heater are situated under the cover on the top right hand side of the heater.

All necessary adjustments to the operation of your heater can be made with these controls.

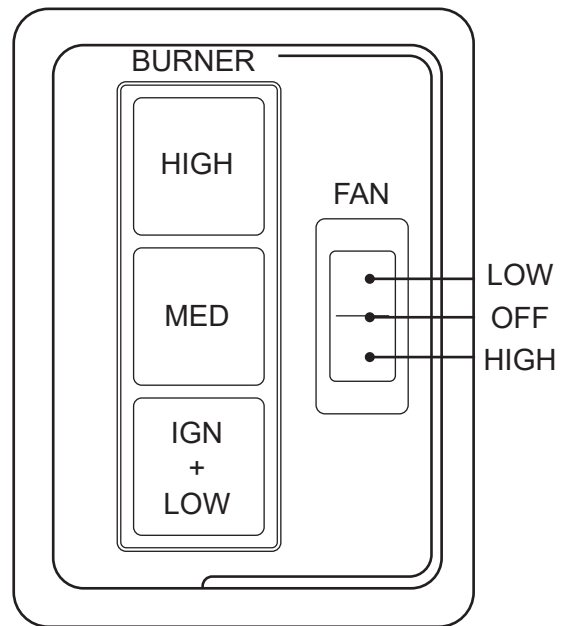
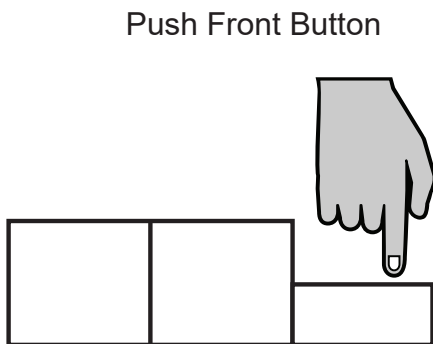
CONNECT GAS AND PLUG INTO POWER POINT

Ignition

Room must be ventilated when this heater is in use.

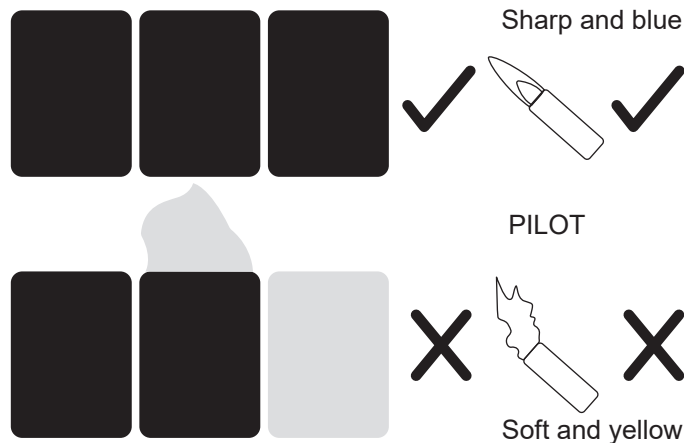
Release the button.

Press the front control button firmly, this operates the built in safety device and starts the electronic spark, the centre burner will ignite. Check that the burner has lit, continue to hold the button down for about 15 seconds. The spark will continue whilst the button is held down.



If the burner does not remain alight, push the button again and release it, this will return it to the "OFF" position. Wait 30 seconds, then repeat the ignition procedure. (The ignition button must be in the "OFF" position before attempting re-ignition).

The burner should glow evenly after a few minutes of operation. If there is a large difference in the glow, or there is an unusual amount of flame coming from the top of the burner, contact your Dealer or Rinnai. Graduate burners shown here.

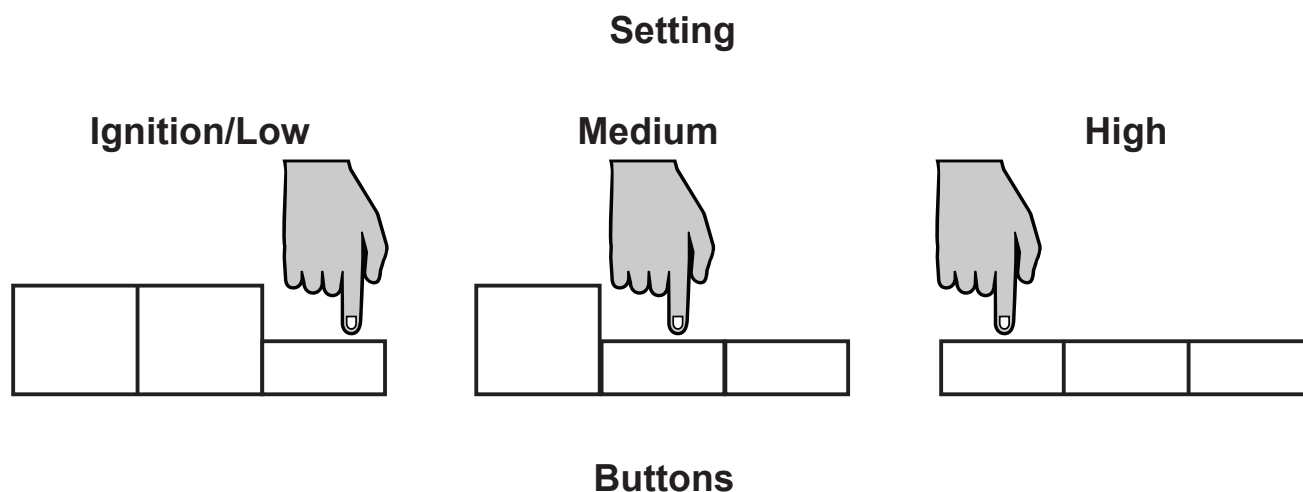


TO INCREASE THE HEAT

Press the control buttons in order from front to rear, this will ignite additional burners as shown in the diagram. There is no need to hold the buttons for 15 seconds when increasing the heat.

TO DECREASE THE HEAT

This is simply done by releasing the control buttons in order from rear to front, to the required setting.



Burner Settings (MJ/h)			
	LOW	MEDIUM	HIGH
Granada 252	8	16	25

FAN SWITCH

The fan switch has two speed settings, and an OFF position. This allows you to choose the best conditions for maximum comfort. The heater may also be used with the fan off.

If the fan switch is in the HIGH or LOW position, the fan starts automatically when the heater is alight. When the heater is turned off, the fan stops automatically, there is no need to return the manual fan switch to the off position each time the heater is turned off.

TO TURN THE UNIT OFF

Press and release the front button.

Ensure all burners are extinguished.

CARE & MAINTENANCE

Your heater needs very little maintenance, but the following information will help you to keep it looking good and working efficiently.

OXYGEN DEPLETION SENSOR

Annual cleaning of the oxygen depletion sensor is recommended, this should be carried out by Rinnai or local Dealer.

OUTER CASE

The outer case of the heater should be cleaned with a soft, damp cloth.

DO NOT use aerosol polished to clean the casing while the heater is in operation.



DO NOT connect to an LPG Gas cylinder indoors.

DO NOT PLACE ARTICLES ON OR AGAINST THIS APPLIANCE.

DO NOT USE OR STORE FLAMMABLE MATERIALS IN OR NEAR THIS APPLIANCE.

DO NOT attempt to clean the heater while the appliance is hot or operating.

DO NOT USE SOLVENTS OR ABRASIVES TO CLEAN ANY PARTS.

All parts of the heater can be cleaned using a soft, damp cloth.

DO NOT SPRAY AEROSOLS IN THE VICINITY OF THE APPLIANCE WHILE IT IS IN OPERATION.

The guard is fitted to this appliance to reduce the risk of fire or injury from burns and no part of it should be permanently removed.

For protection of young children or the infirm, a secondary guard is required.

RINNAI GUARANTEE OF QUALITY

As a purchaser of a high quality Rinnai product we provide you with the following guarantee on your new heater:

	Free labour period (years)	Free parts period (years)
Fan	3	3
Combustion Chamber	3	10 (Pro rata*)
All Other Parts	3	3
*Combustion chamber full replacement parts cost in the first 3 years, reducing 15% per year thereafter.		

The benefits conferred by this guarantee are in addition to all other rights and remedies in respect of the product which you have under the Trades Practices Act and other State and Territory laws.

This guarantee does not cover cleaning and normal wear and tear, calls of this nature may be chargeable.

GUARANTEE INFORMATION

Please Record below:

Your Retailer:	
Address:	
Phone:	
Date of Purchase:	

There is no need to post this guarantee back to Rinnai. Simply keep it in a safe place as your record.

TROUBLE SHOOTING CHECKLIST

Use the following chart to help determine whether a service call is required, however if you are unsure about the way your heater is operating, or if you have any other faults or problems, please refer to your installer or a Rinnai Customer Care Centre Consultant. See back page for Rinnai contact details.

Problem / Cause	Unit won't ignite	Fan stops when heater is turned off.	Takes too long to heat room	Smell of gas	Unit goes out when ignition button is released.	Unit cuts off at all settings	Remedy
Not plugged in at power point	•						Plug in and switch on
Power cut/failure	•					•	Investigate cause Allow to cool, re-ignite when power is restored
Air in gas pipe (Initial Installation)	•						Purge air (installer)
Gas filter blocked	•		•				Service call
Not pushing ignition button firmly enough	•				•		Push button firmly
Louvre obstructed						•	Remove obstruction
Gas leak				•			Turn off gas. Service call
Room too large			•				Check with retailer
Faulty fan			•			•	Service call
Oxygen depletion system operating						•	Ventilate room
Air in hose	•						Try ignition again
Gas turned off at meter	•						Turn gas on
Automatic fan switch operating		•					Normal operation

SERVICE

This appliance does not contain user serviceable parts and **MUST ONLY** be serviced and repaired by an authorised person. If the power supply cord or any other component of the heater are damaged, they **MUST BE** replaced by Rinnai or a suitably qualified person.

Rinnai has a Service and Spare Parts network with personnel who are fully trained and equipped to give the best service on your Rinnai appliance. **Rinnai recommends that this appliance be serviced every 2 years.** If your appliance requires service, please call our National Help Line (contact numbers for which are on the back cover of this manual).



Service calls for general cleaning, maintenance and wear and tear are not necessarily covered under the warranty. Service calls of this nature may be chargeable.

Faults caused by insufficient gas supply, gas quality, installation errors or operation errors are not covered by the Rinnai warranty. Refer to separate Warranty Manual for details.

INSTALLATION INSTRUCTIONS

SPECIFICATIONS

See “Specifications” on page 18.

UNPACKING

Undo straps, lift carton off heater.

- Never lift heater out of carton by top louvres.
- Check for damage. If the heater is damaged contact your supplier or Rinnai for advice **BEFORE INSTALLATION**.

INCLUDED IN CARTON

Refer to “Carton Contents / Item Checklist” on page 10.

BEFORE INSTALLATION

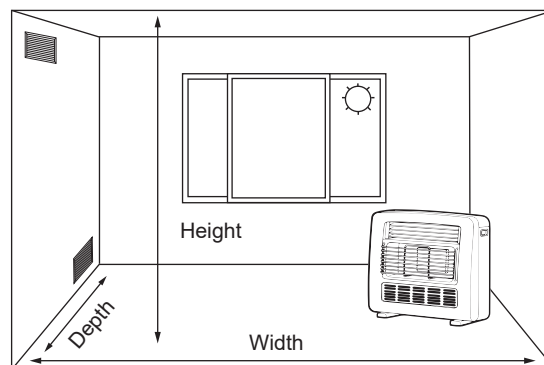
Remove and discard all packing materials.

BEFORE USING THE HEATER

Check heater supplied is correct for gas type in your area.

Refer to local Gas Authority for confirmation of gas type if in doubt. Gas type is indicated on the data plate.

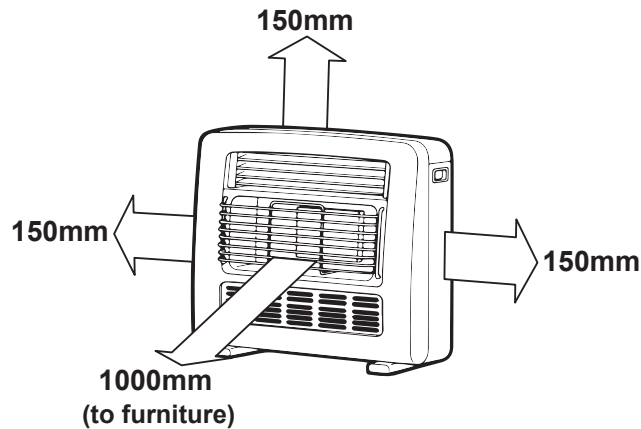
Check room size and ventilation



- This heater must not be installed in a room smaller than 125m³
- Fixed ventilation must conform to local regulations.
- Number and position of vents is for illustrative purposes only. For more information on ventilation, please refer to the Rinnai website on www.rinnai.com.au
- **DO NOT** install in a bedroom or bathroom.
- The bayonet plug on the factory fitted flexible hose simply plugs into your bayonet fitting.
- For this heater, room size H x W x D must equal or exceed 125.0 m³.

For example: if room size is L 7.5m x W 7m x H 2.4m the volume will be 126.0m³

INSTALLATION GENERAL



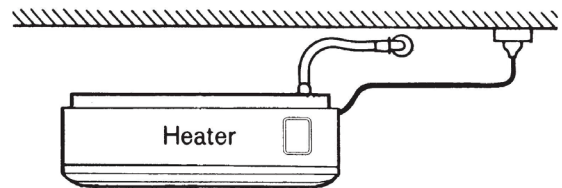
WARNING This heater must not be installed where curtains or other combustible materials could come into contact with it.

In some cases curtains may need restraining. Other clearances are shown in the diagram.

THIS HEATER IS NOT DESIGNED TO BE BUILT INTO BOOKCASES OR SHELVES.

Ensure that the area in which the appliance is installed has adequate fixed ventilation, this fixed ventilation must be provided as detailed in AS/NZS5601.

An EARTHED power point, and bayonet gas connection must be close enough to where the heater will be used to avoid stretching the connection.



NOTE After installation checks have been completed connect gas and power and follow ignition instructions.

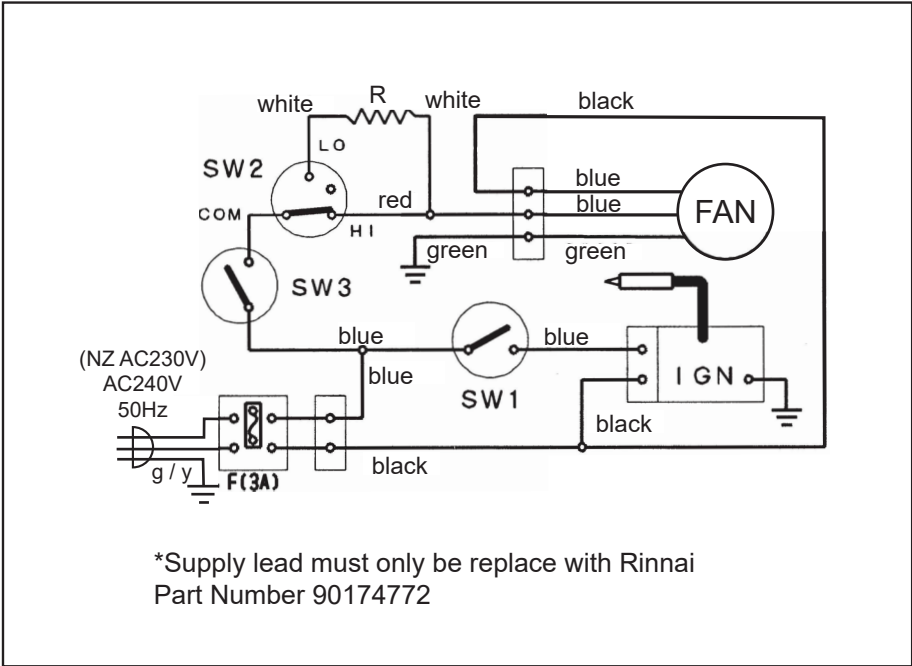
SPECIFICATIONS

Description	Granada 252 (REH-252UCH2) - WITH HOSE Rinnai Radiant/Convactor, open fronted, surface combustion flueless space heater with forced convection.
Input	25 MJ/h
Gas Control	Rinnai Push Button Combination Control
Burner	Rinnai Jewel Cut Plaque
Gas Inlet	Supplied with approved 1.5m Hose
Ignition	Electronic
Oxygen Depletion System	Rinnai ODS Pilot
Power Supply	240V 50Hz, unit is fitted with a supply lead and 3 pin plug, replace only with Rinnai part number 90174772.
Fan	Tangential 2 speed, 24 Watt Rating
Data Plate	Rear, near the gas connection
Rinnai are continually updating and improving products, therefore specifications are subject to change without prior notice.	

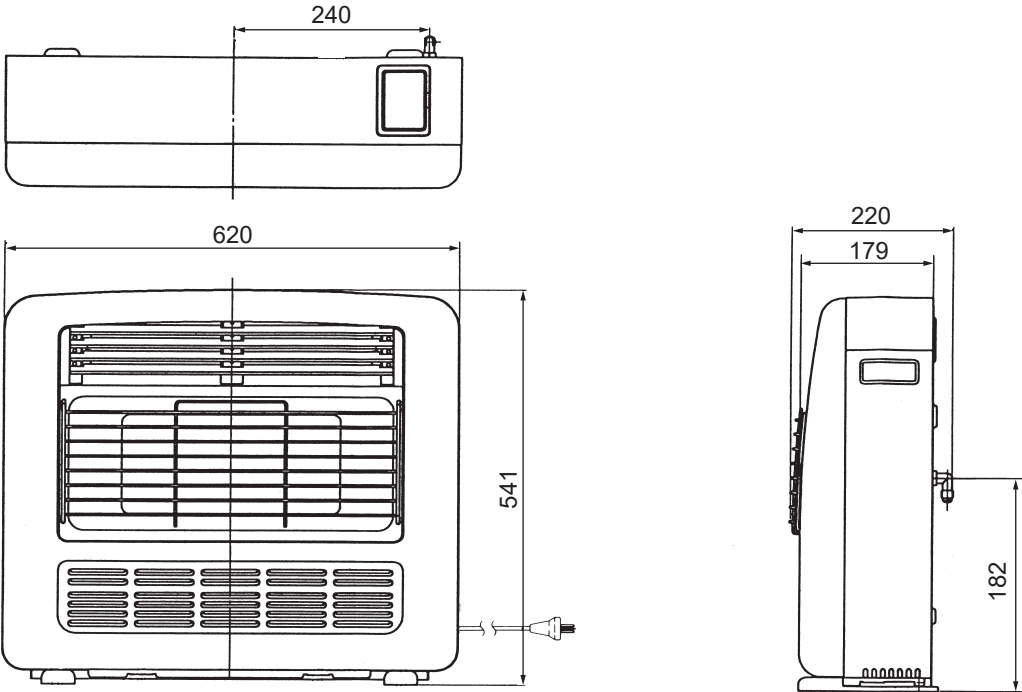


Refer to the appliance data plate for gas type, gas rates, burner pressure and injector sizes.

WIRING DIAGRAM



DIMENSIONS



Rinnai Australia Pty Ltd

ABN 74 005 138 769 | AU45204

100 Atlantic Drive, Keysborough, Victoria 3173
P.O. Box 460, Braeside, Victoria 3195
Tel: (03) 9271 6625
Fax: (03) 9271 6622

National Help Line

Tel: 1300 555 545* Fax: 1300 555 655
Monday to Friday, 8.00 am to 5.00 pm EST.

**Cost of a local call higher from mobile or public phones.*

For further information visit **www.rinnai.com.au**
or email **enquiry@rinnai.com.au**

Rinnai has a Service and Spare Parts network with personnel who are fully trained and equipped to give the best service on your Rinnai appliance. If your appliance requires service, please call our National Help Line. Rinnai recommends that this appliance be serviced every 2 years.

With our policy of continuous improvement, we reserve the right to change, or discontinue at any time, specifications or designs without notice.