

SPIKA MS 1000 MODULAR ICE CUBE MACHINE

THREE PHASE
208-230 V / 60 Hz

3 YEARS
WARRANTY
PARTS & LABOR

FEATURES

- ▶ PRODUCES FULL DICE OR HALF DICE ICE CUBES
- ▶ HIGH EFFICIENCY EVAPORATOR
- ▶ SMART WATER DISTRIBUTOR THAT IMPROVES DROP-OFF EFFICIENCY
- ▶ EASY ACCESS FOR SERVICE BY REMOVING THE PANELS WITH A SINGLE SCREWDRIVER
- ▶ SMART ELECTRONIC BOARD CONTROLS EVERY PARAMETER IN THE MACHINE AND SHOWS THE DIAGNOSIS OF POSSIBLE INCIDENCES
- ▶ HIGH RESISTANCE EXTERNAL FRAME IN AISI 304 STAINLESS STEEL



	24 H	70°F/20°C lbs (Kg)	50°F/10°C lbs (Kg)	90°F/32°C lbs (Kg)	70°F/21°C lbs (Kg)		
SPIKA MS 1000 A		957 (434)	730 (331)	Width 30" (762)	Width 34.41" (874)	SPIKA HALF DICE 0,9" (W) x 0,4" (D) x 1" (H) 23 mm (W) x 11 mm (D) x 26 mm (H) Average dimensions	SPIKA FULL DICE 1" (W) x 0,9" (D) x 1" (H) 26 mm (W) x 23 mm (D) x 26 mm (H) Average dimensions
SPIKA MS 1000 W		962 (436)	872 (396)	Depth 24.41" (620) Height 29.93" (760)	Depth 25" (635) Height 32.92" (836)		

ACCESSORIES

INCLUDED



SCOOP



WATER OUTLET HOSE

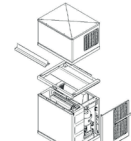
NOT INCLUDED



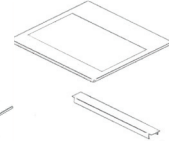
DOUBLE 11" FILTER
ANTI-LIMESCALE + ANTI-CHLORINE
CS12



11" REPLACEMENT CARTRIDGE
ANTI-LIMESCALE + ANTI-CHLORINE
CS11



STACKING KIT



ADAPTER PLATES



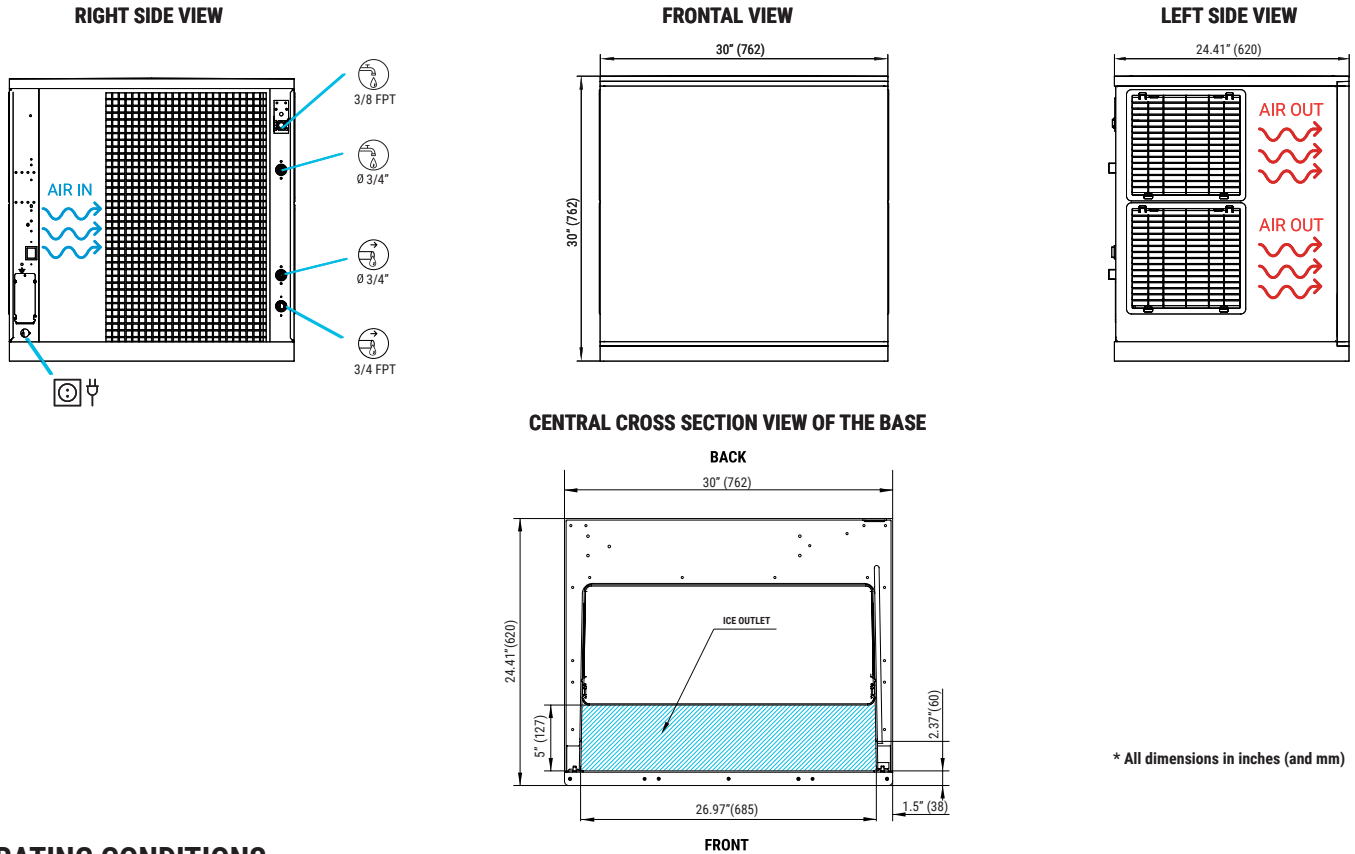
SCALE KLEEN

RECOMMENDED BINS



TECHNICAL SCHEME

SPIKA MS 1000



OPERATING CONDITIONS

PRODUCTION (LBS) 60Hz

±10% V

41°F/109°F

41°F/95°F

14,5 psi (1 bar) / 87 psi (6 bar)

400/800 Ice cubes/cycle

V	Hz	ph
230	60	3N

FULL DICE
SPIKA MS 1000 AIR COOLED

°F	50°	60°	70°	86°
°C	10°	15°	21°	30°
50°	986	890	792	707
68°	957	862	766	683
90°	919	825	730	652
109°	875	787	698	623
43°				

FULL DICE
SPIKA MS 1000 WATER COOLED

°F	50°	60°	70°	86°
°C	10°	15°	21°	30°
50°	991	969	946	924
68°	962	937	915	892
90°	924	901	872	849
109°	879	856	834	810
43°				

MODELS

MODEL	ASHRAE CONDITIONS (BTU/h)	(W)	(W) 109°F	(AWG/mm ²) (n.)	FUSE	100lbs 90°F / 70°F (Kwh/100 lbs)	gal 100lbs (l/h)	HEAT REJECTED (BTU/h) (W)	(lbs)	(lbs)			
SPIKA MS 1000 A	17,586	5,154	1,540	12/2.5	5	16	4.43	15.8	21	12,024	3,524	231	243
SPIKA MS 1000 W	17,586	5,154	1,540	12/2.5	5	16	3.7	66.6	105	12,024	3,524	231	243



ITV Ice Makers, Inc.
9550 Satellite Blvd, Suite 100
Orlando, FL 32837
Phone: 1 407 826 1860 | Fax: 1 407 826 1861
Toll Free: 1 888 488 1423
sales@itvice.com | www.itvice.com



SERVICE
service@itvice.com
Skype: service@itvice.com
PHONE: +1 888 488 1423
FROM 8AM TO 5PM EST



2 ADDITIONAL YEARS
ON COMPRESSOR &
EVAPORATOR
Read our warranty policy
to know more about
limitations and exclusions

