



## Custom Specifications

Visit our Frequently Asked Questions page for a detailed description of terms and methods.

### 1. Interior Box Dimensions

Length(L)      Width(W)      Depth(D)

mm       mm       mm

### 2. Lid Height

Full Height      Custom Height      None      Long Side      Short Side

      mm                 

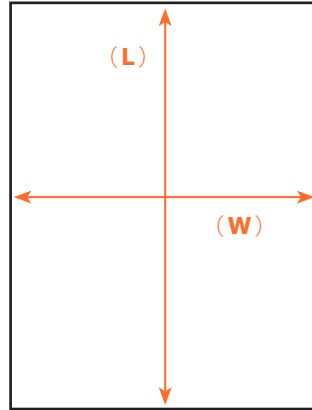
### 3. Thumb Grip Placement

### 4. Board Colour (Thickness Noted below)

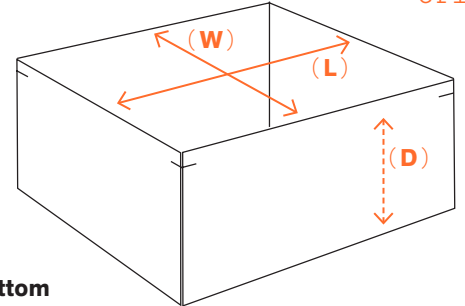
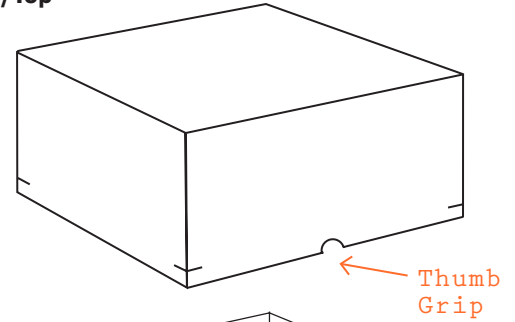
<input type="checkbox"/>  Kraft 1.2mm	<input type="checkbox"/>  Light Grey 2.0mm	<input type="checkbox"/>  Anthracite 1.4mm
<input type="checkbox"/>  Black 1.5mm	<input type="checkbox"/>  Nat, White 1.5mm	

### Measurements Guide

Provide Interior Measurements



### Lid/Top



### Bottom

### 5. Staple Colour

Mill/Metal      Copper

### 6. Artwork/Logo Printing Method (See our FAQ page for detailed explanation)

Debossed (Depressed)      Embossed (Raised)      Color Hot Foil Stamping

### 7. Quantity

### 8. Artwork Placement

Landscape      Portrait      Other

### 9. Additional Question

Select if you desire more than one cliché

**Specialty Options** Need a different packaging solution? We provide a full range of specialty options: Ribbons, Die Cut Interiors, Foam Inserts. Business Cards, Folders, Book sleeves. Please Inquire.

### Additional Questions:

### 10. Customer Information

Name:

Company:

Address:

City & Zip:

Country:

Phone:

Email:

Organization #:

### Ship to:

Name:

Company:

Address:

City:

Country:

Attn:

Contact No.:

Email:

### 11. Delivery Instructions

Pick up STL      Local Delivery      Domestic in Sweden

Shipping Account info #

