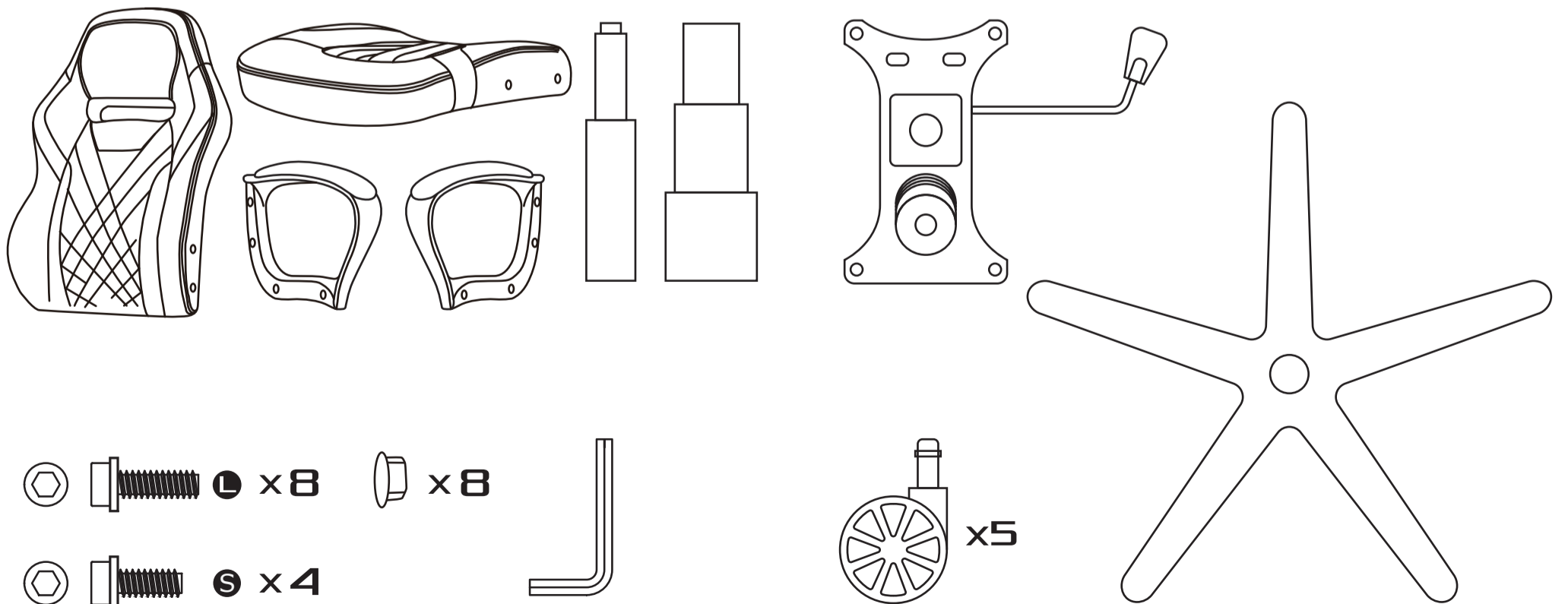


# GX1

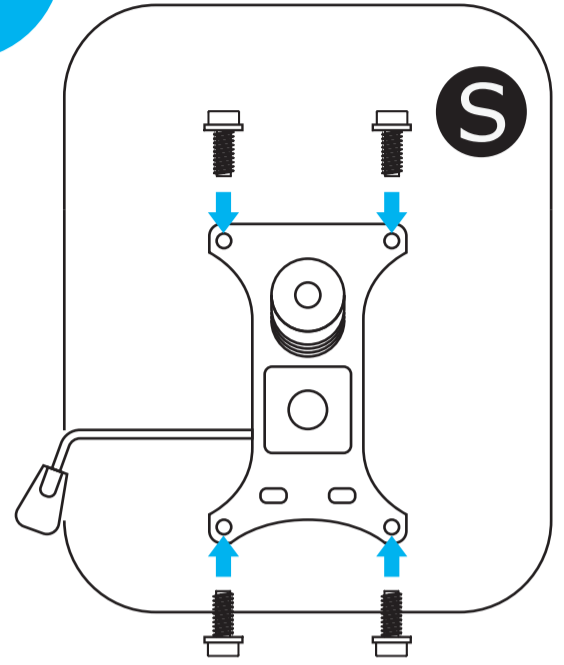


## Parts

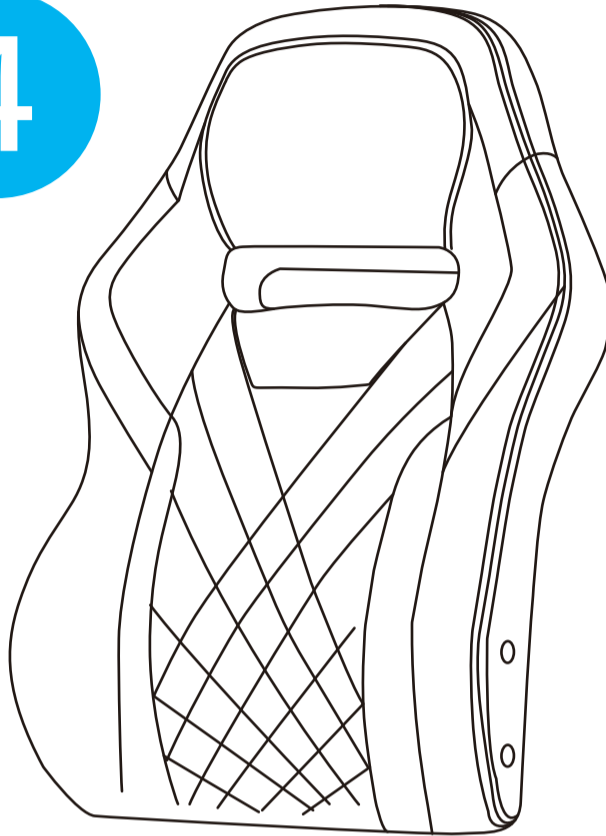


# How to assemble

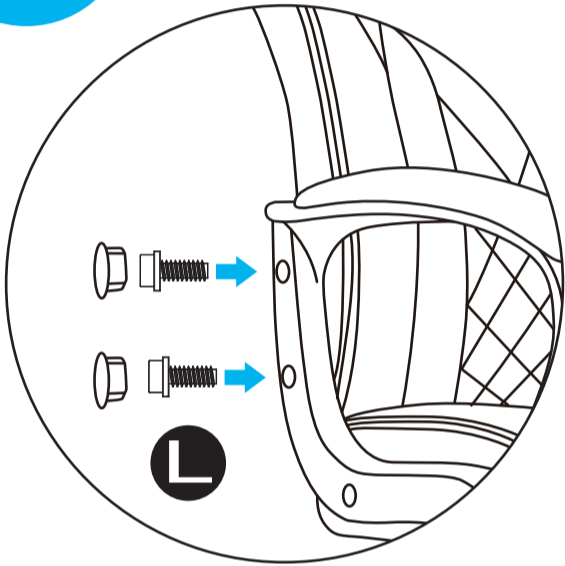
1



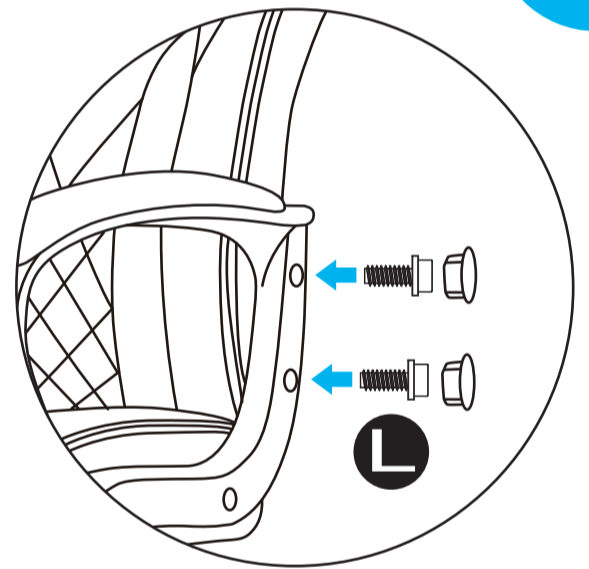
4



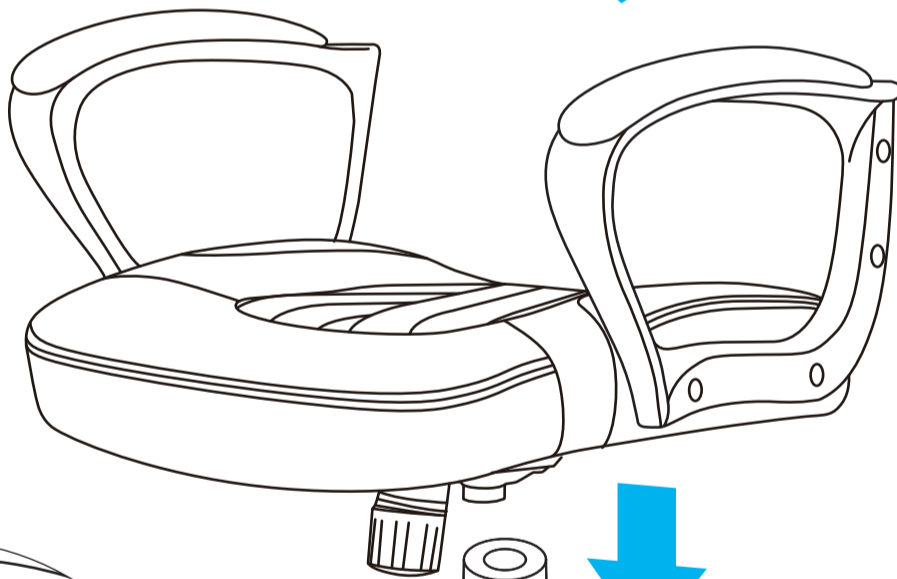
5



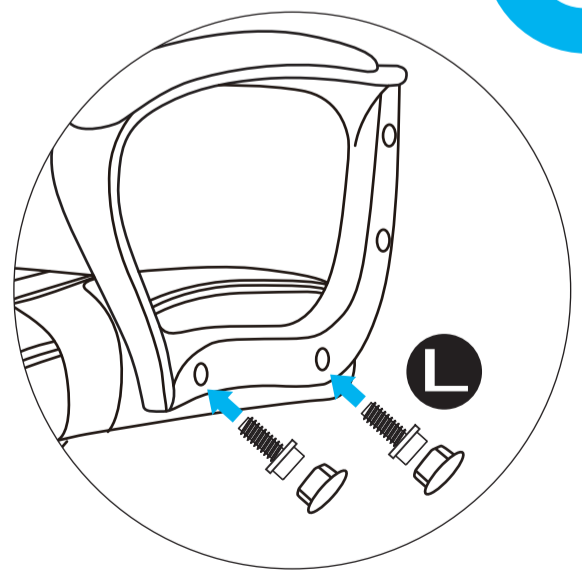
6



2



3



7

