

Caution: This instruction manual is intended for universal reference, slight variations in part dimensions are normal. (Manual Number: 602-09-0500)

COMPONENT

①	②	③	④	⑤	⑥	⑦	⑧
X14	X14	X2	X2	X4	X1	X1	X1

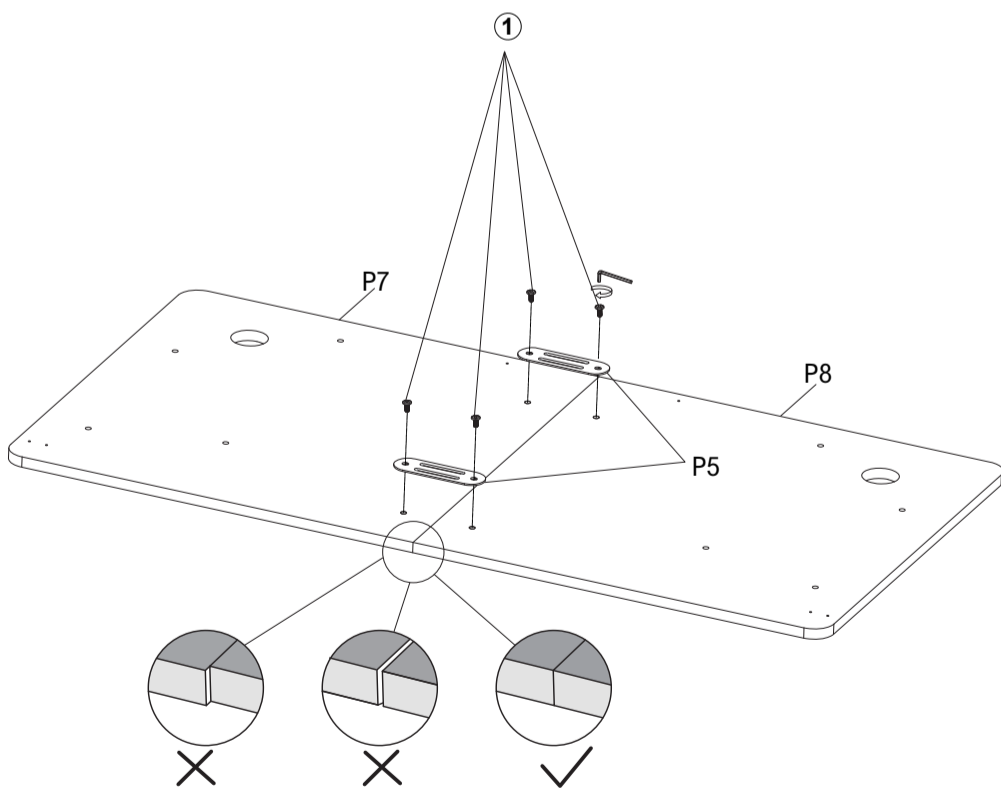
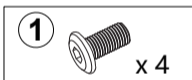
P1	P2	P3
X2	X2	X2

P4	P5	P6
X1	X2	X2

P7	P8	P9
X1	X1	(Mousepad) X1

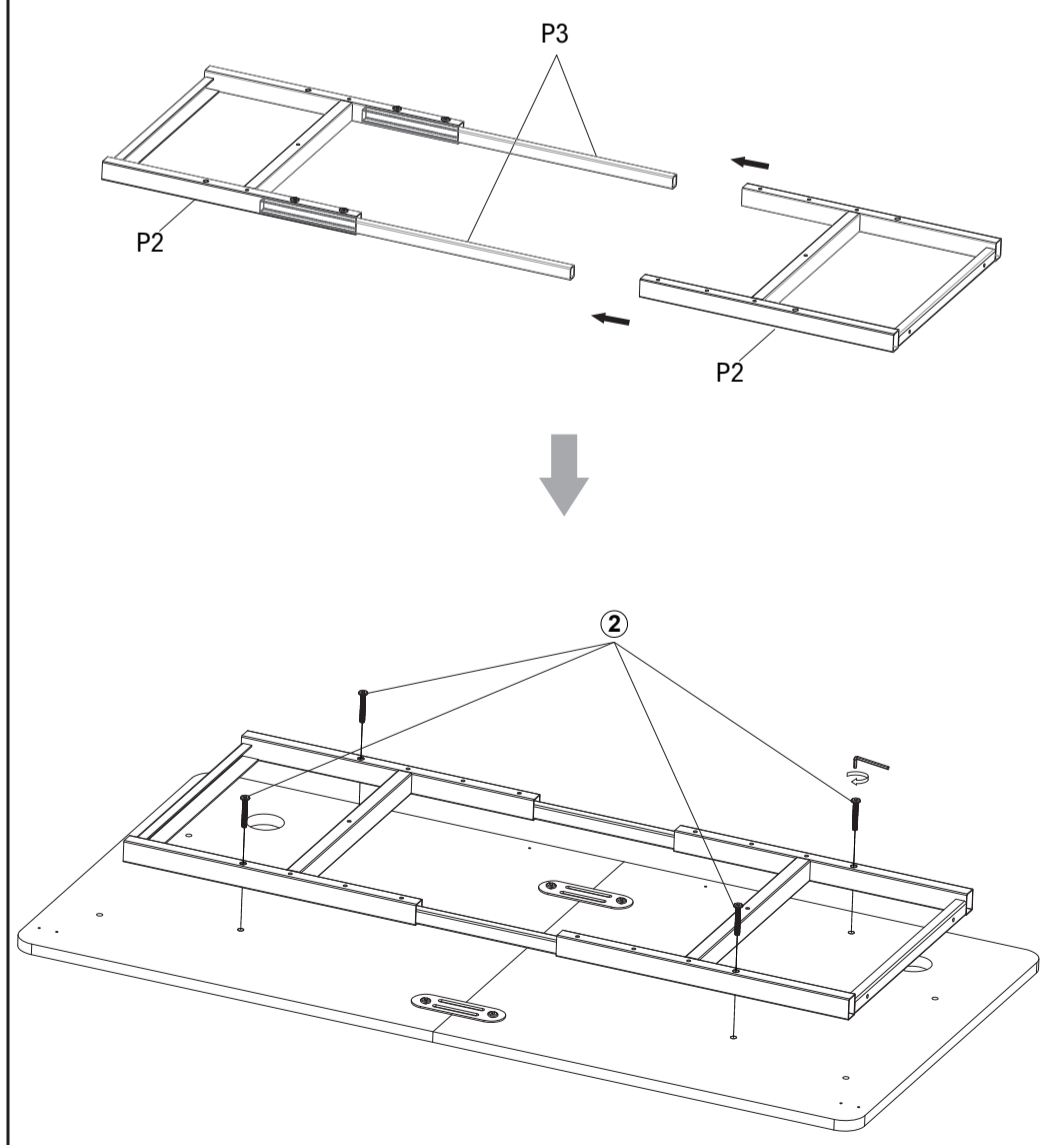
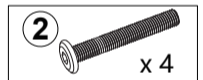
P10	P11	P12
X8	X2	(Stickers) X1

1

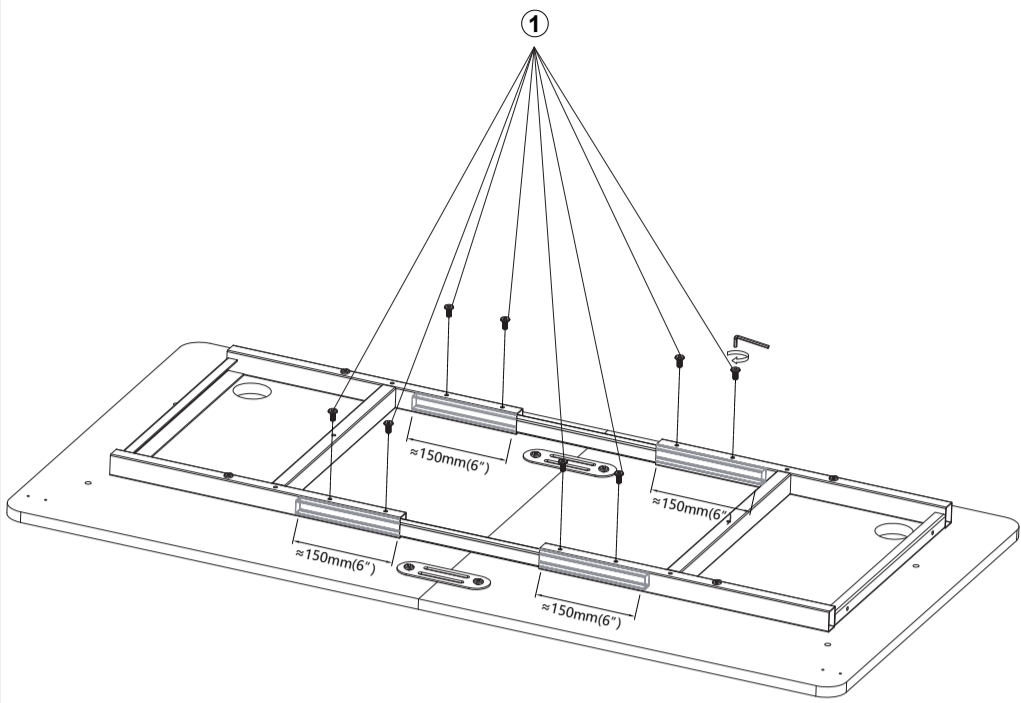
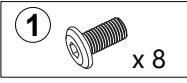


! Before tightening the screws, you must ensure that the two desktop pieces are aligned and flush against each other.

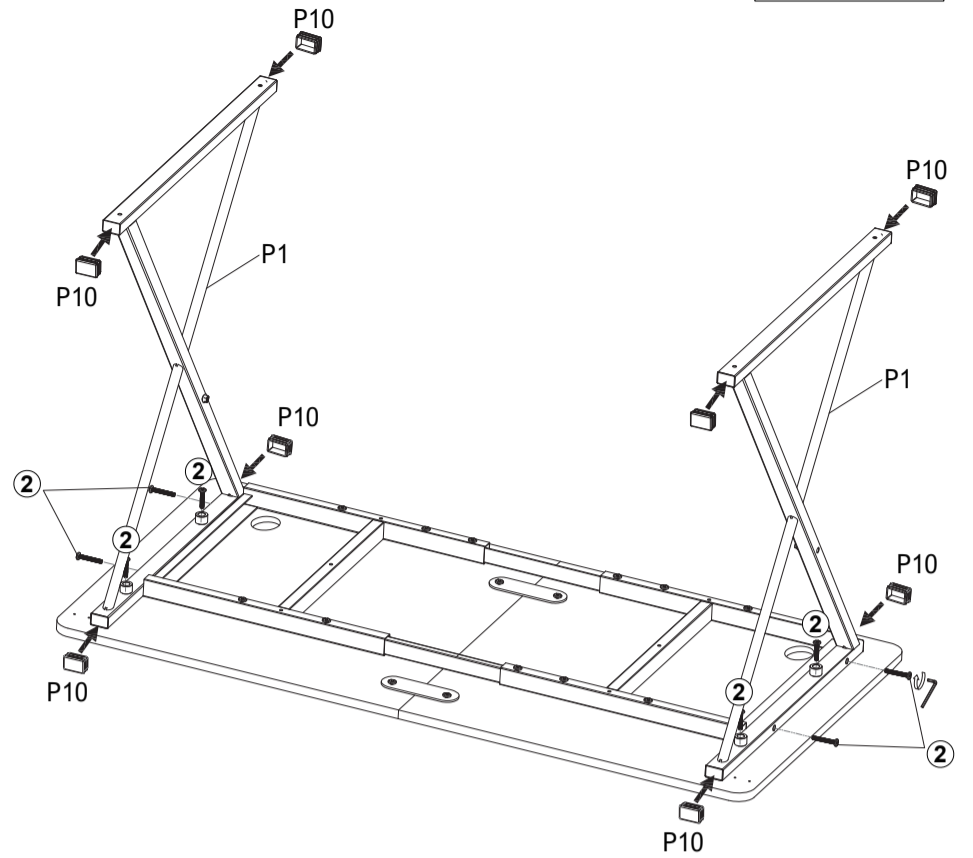
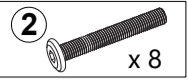
2



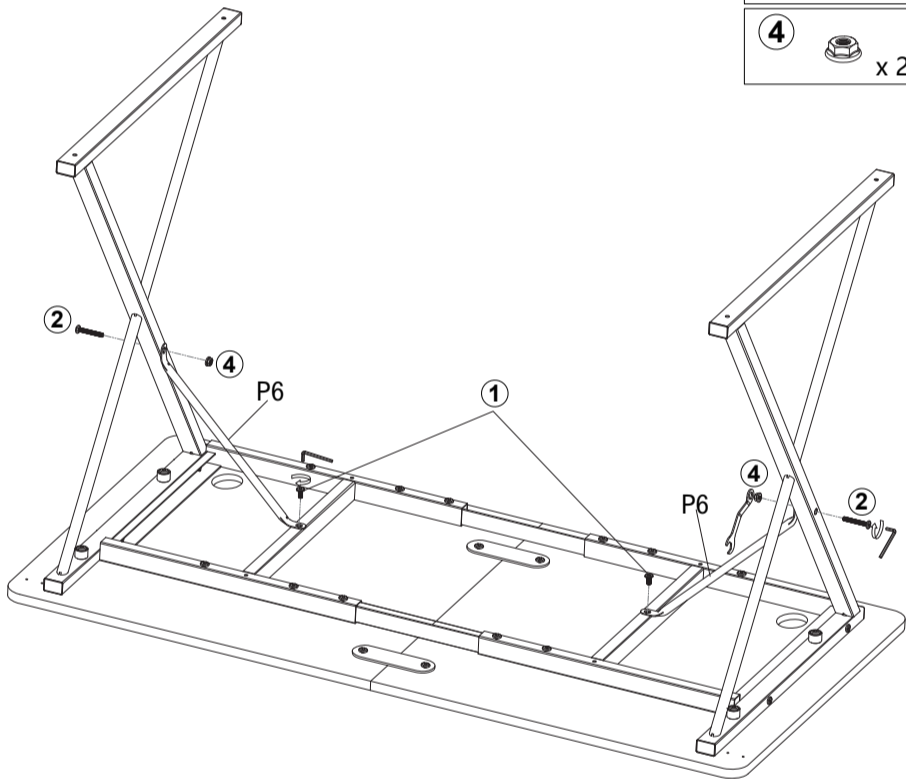
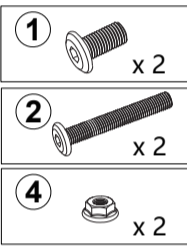
3



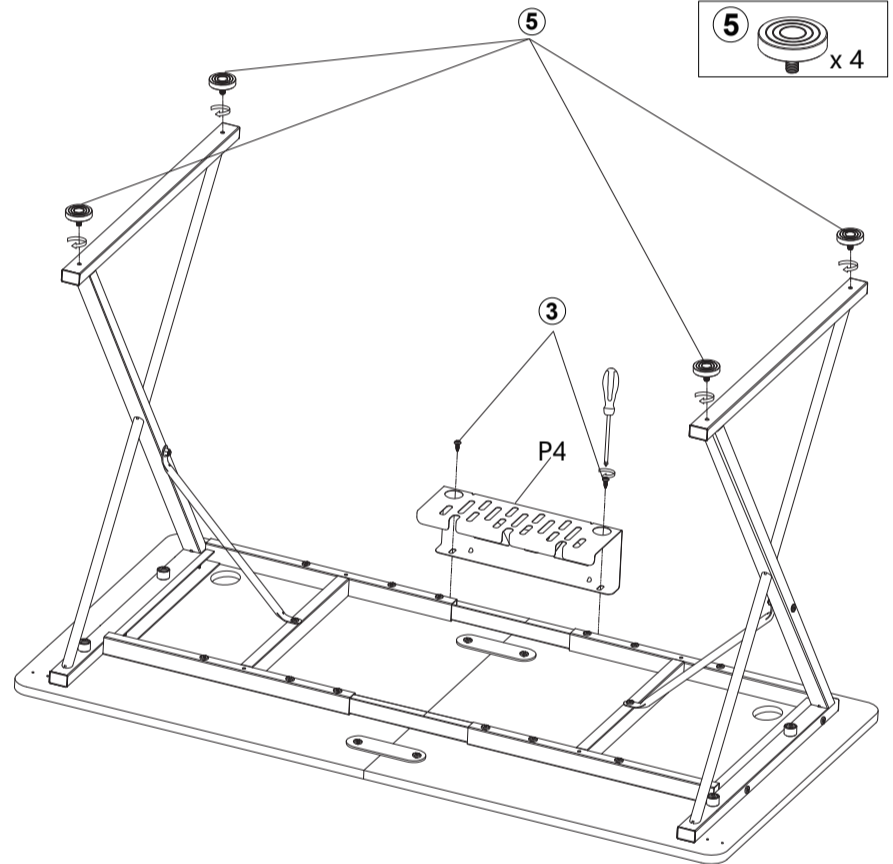
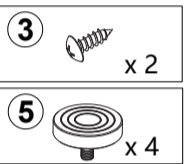
4



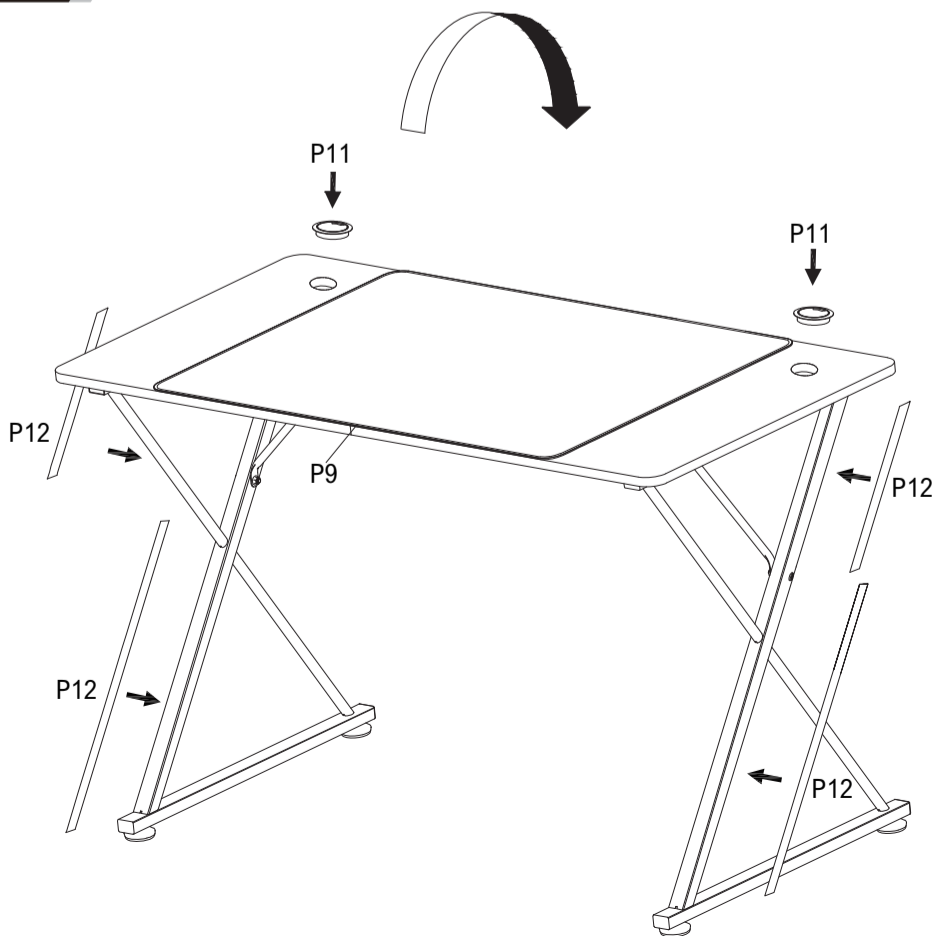
5



6



7



ACCESSORY



① X 1



② X 1



③ X 1



④ X 4

