

**COMPONENT**

①	②	③	④	⑤	⑥	⑦	⑧
X10	X14	X2	X2	X4	X1	X1	X1

P1	P2	P3
X2	X2	X2

P4	P5	P6
X1	(Mousepad) X1	X1

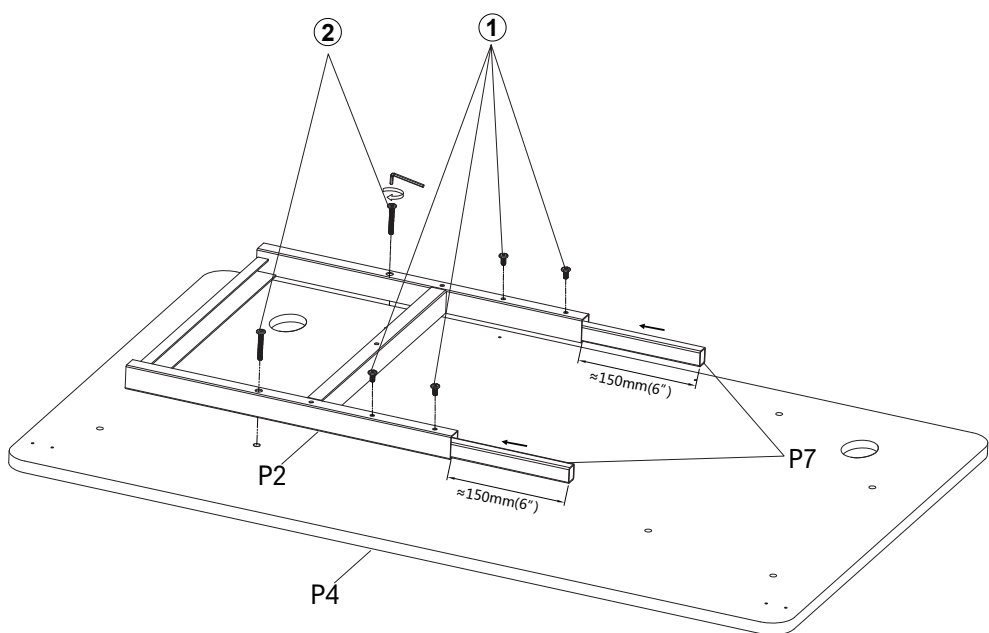
  

P7	P8	P9	P10
X2	X8	X2	(Stickers) X1

**Caution:** This instruction manual is intended for universal reference, slight variations in part dimensions are normal.  
(Manual Number: 602-09-0499)

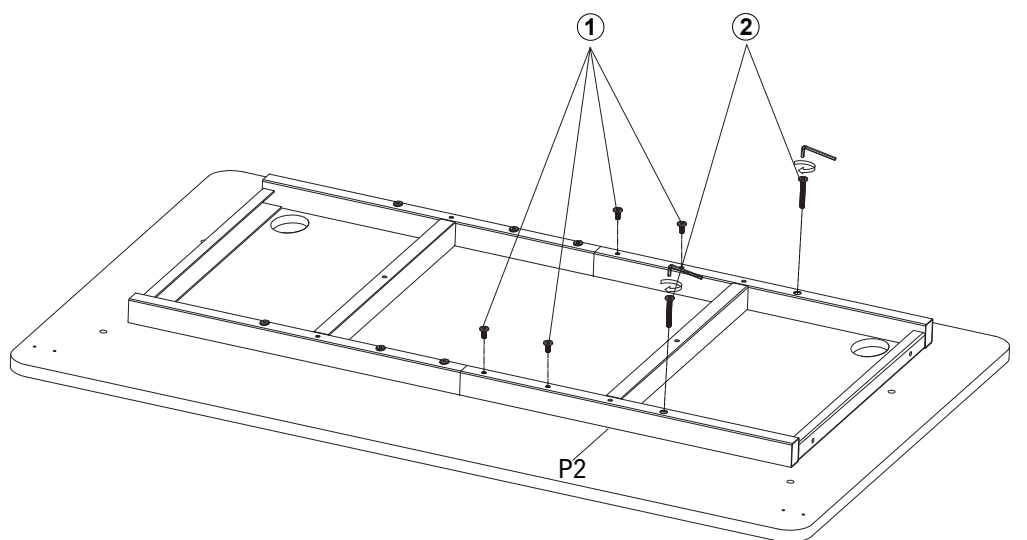
**1**

- ① x 4
- ② x 2

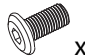
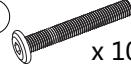



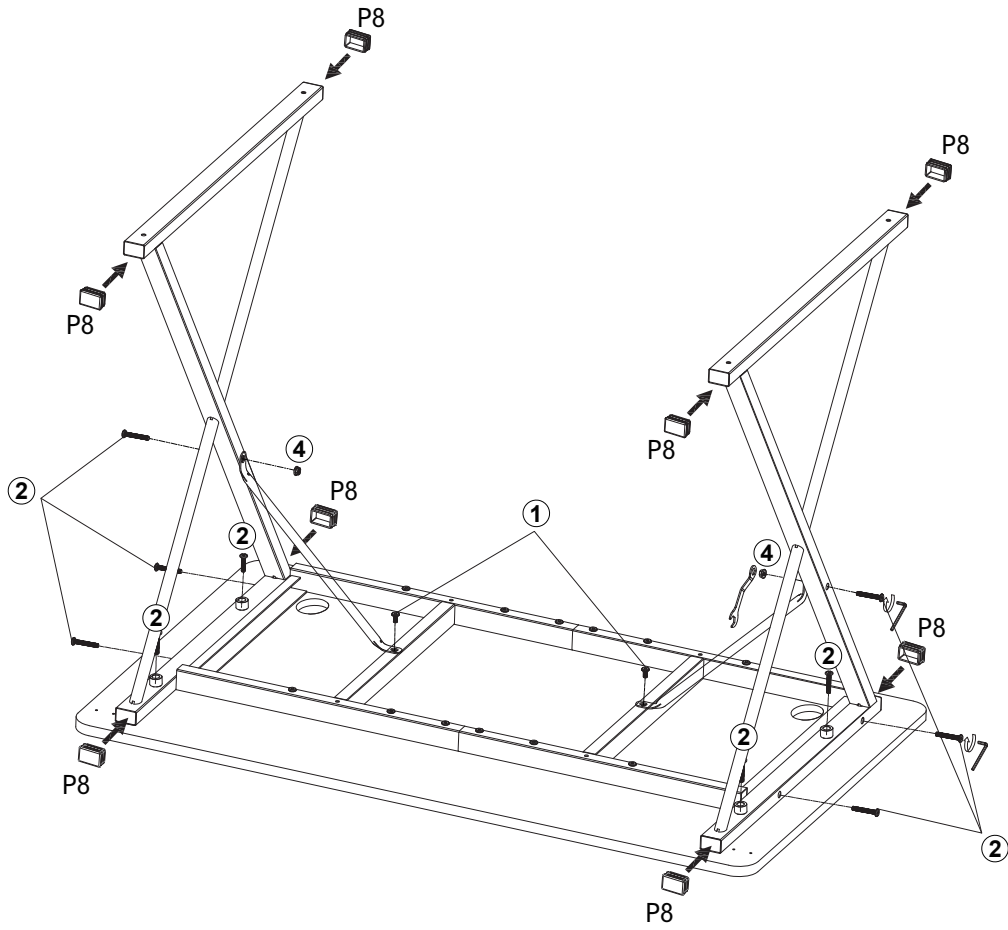
**2**

- ① x 4
- ② x 2





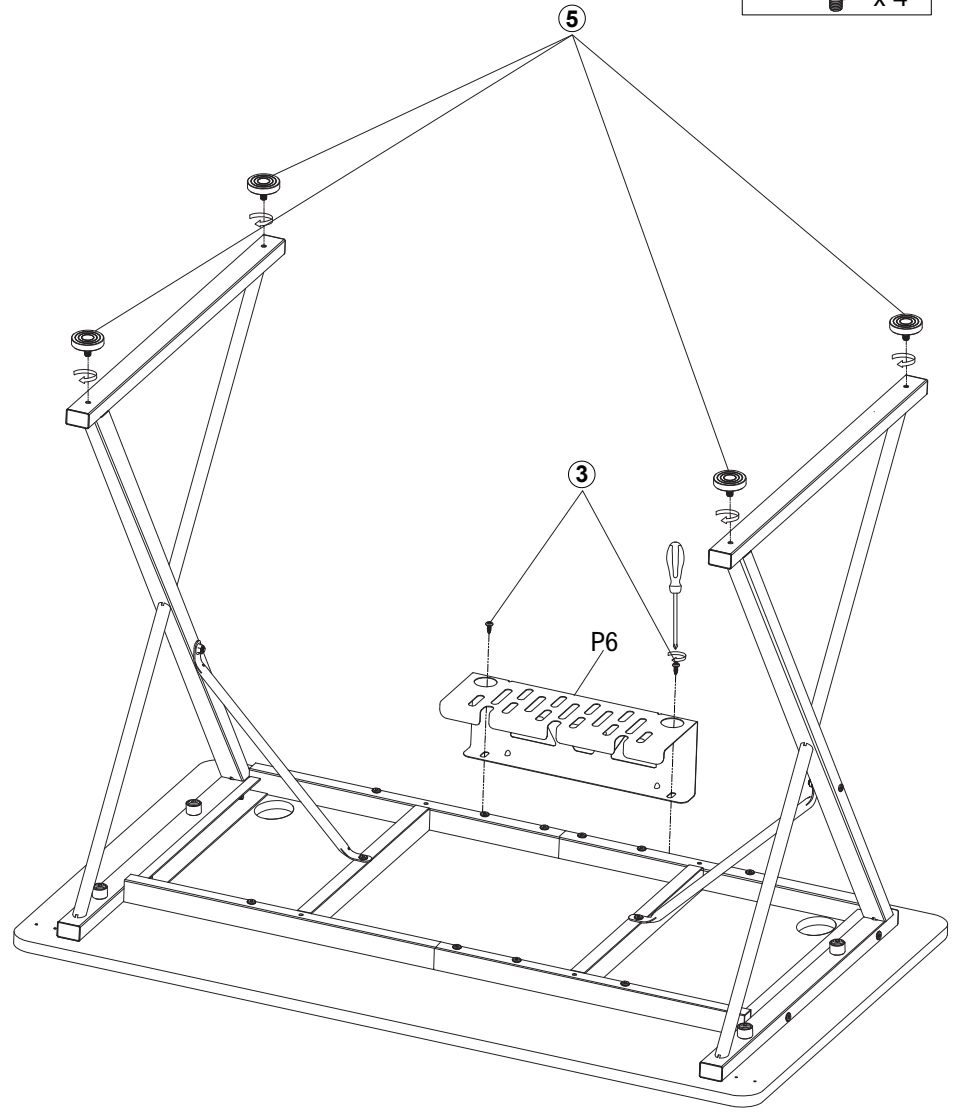
3

- ①  x 2
- ②  x 10
- ④  x 2

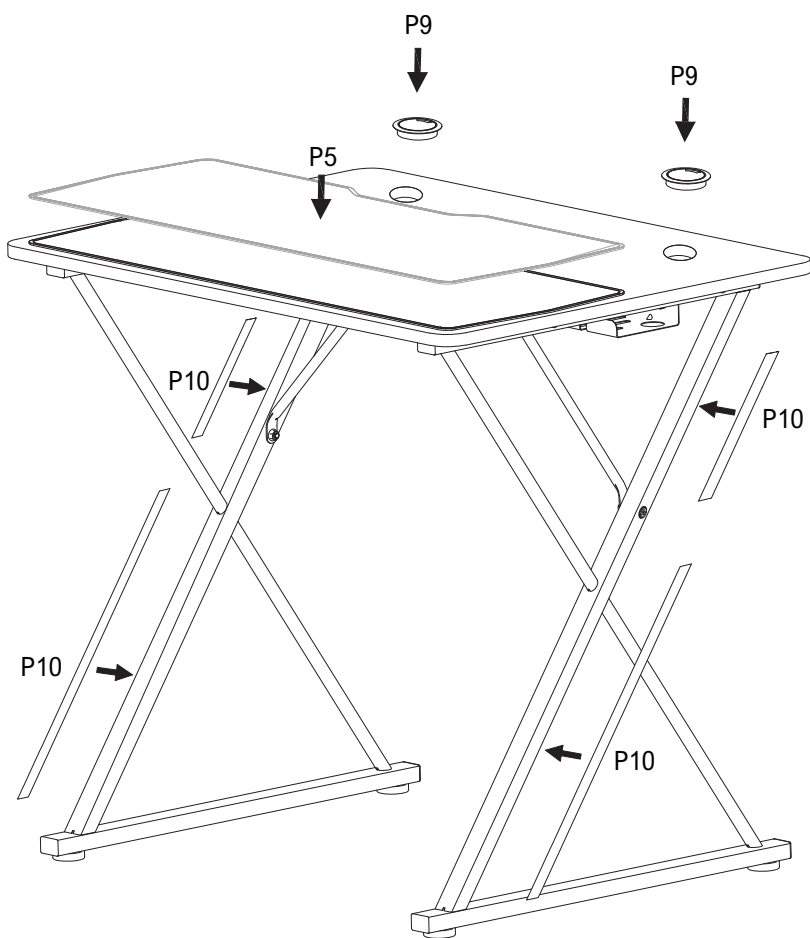
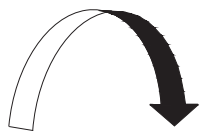


4

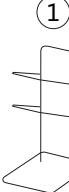

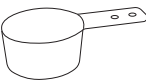

- ③  x 2
- ⑤  x 4



5



### ACCESSORY

- ①  x 1
- ②  x 1
- ③  x 1
- ④  x 4

