



COMPONENT

①	②	③	④	⑤	⑥	⑦	⑧
X2	X12	X2	X2	X4	X1	X1	X1

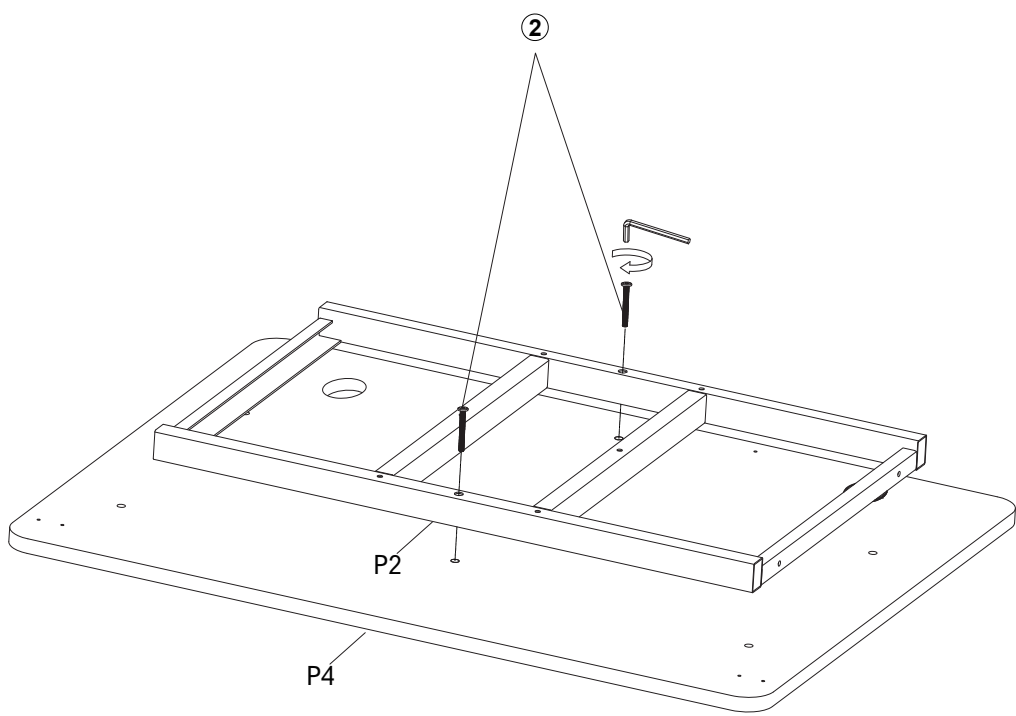
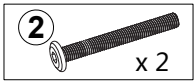
P1	P2	P3
X2	X1	X2

P4	P5	P6
X1	(Mousepad) X1	X1

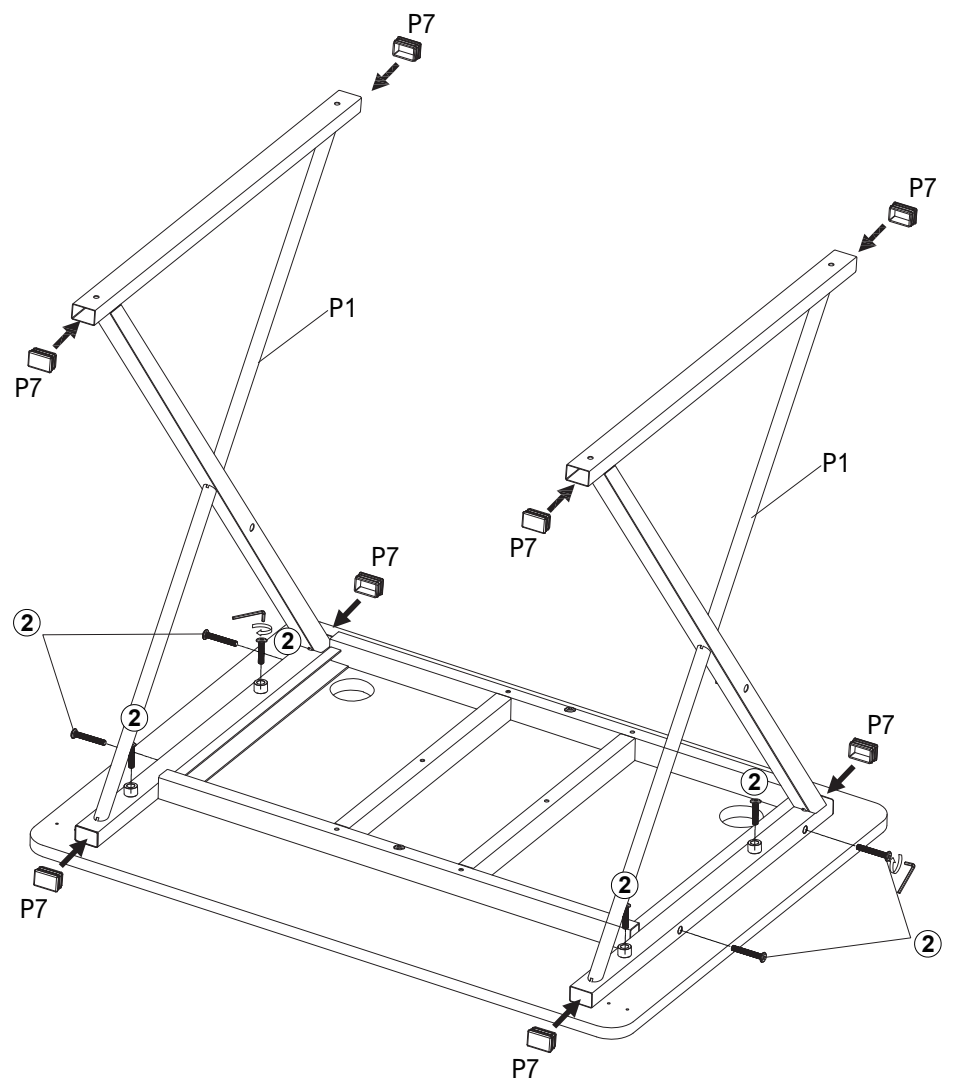
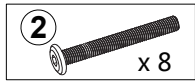
P7	P8	P9
X8	X2	(Stickers) X1

Caution: This instruction manual is intended for universal reference, slight variations in part dimensions are normal.
(Manual Number: 602-09-0498)




1

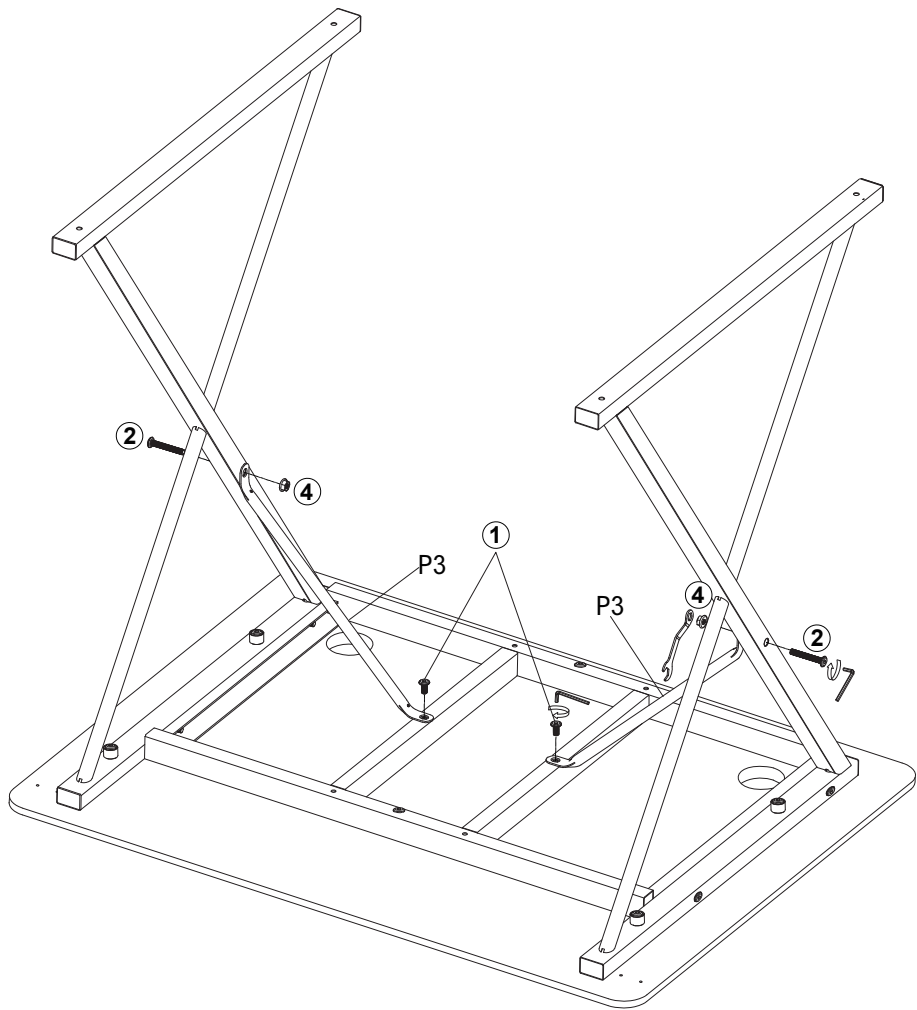


2





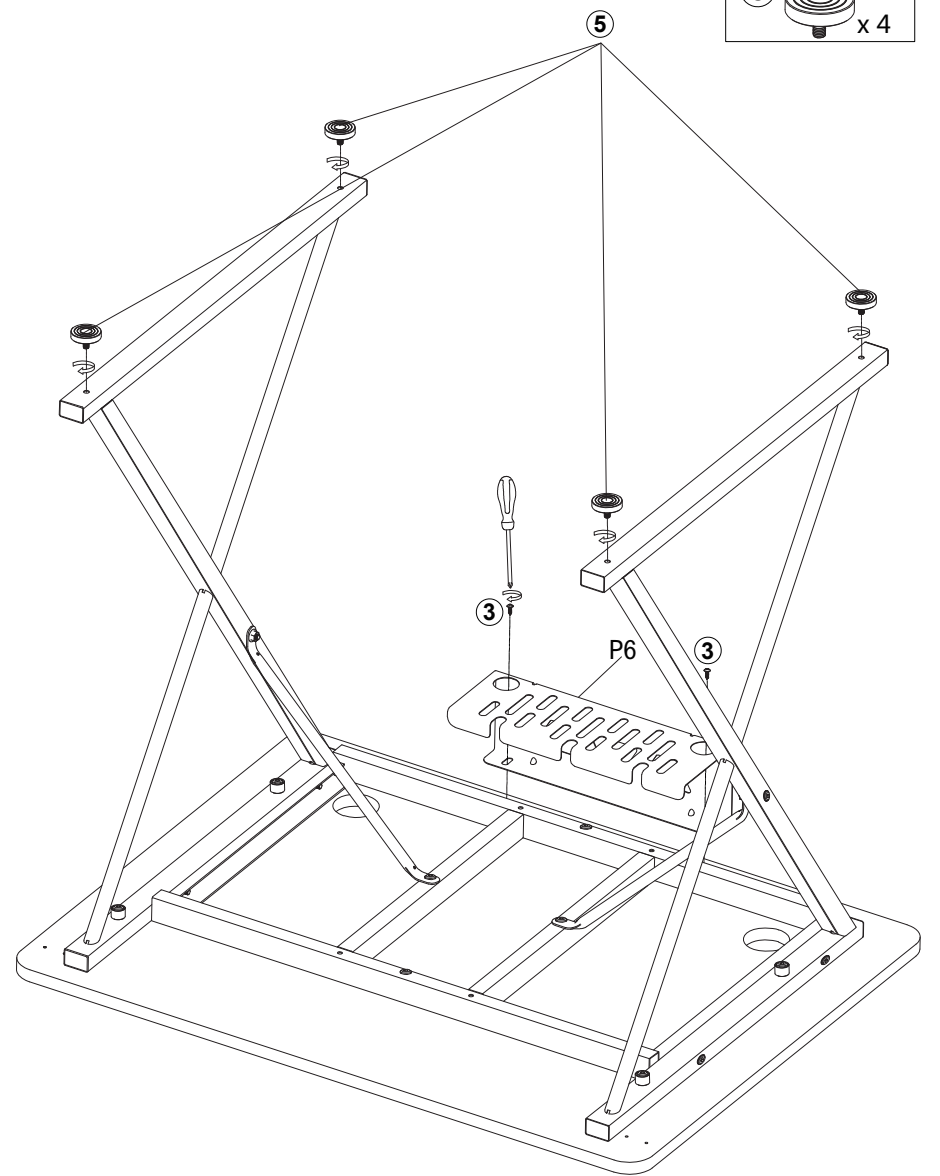
3

- ①  x 2
- ②  x 2
- ④  x 2

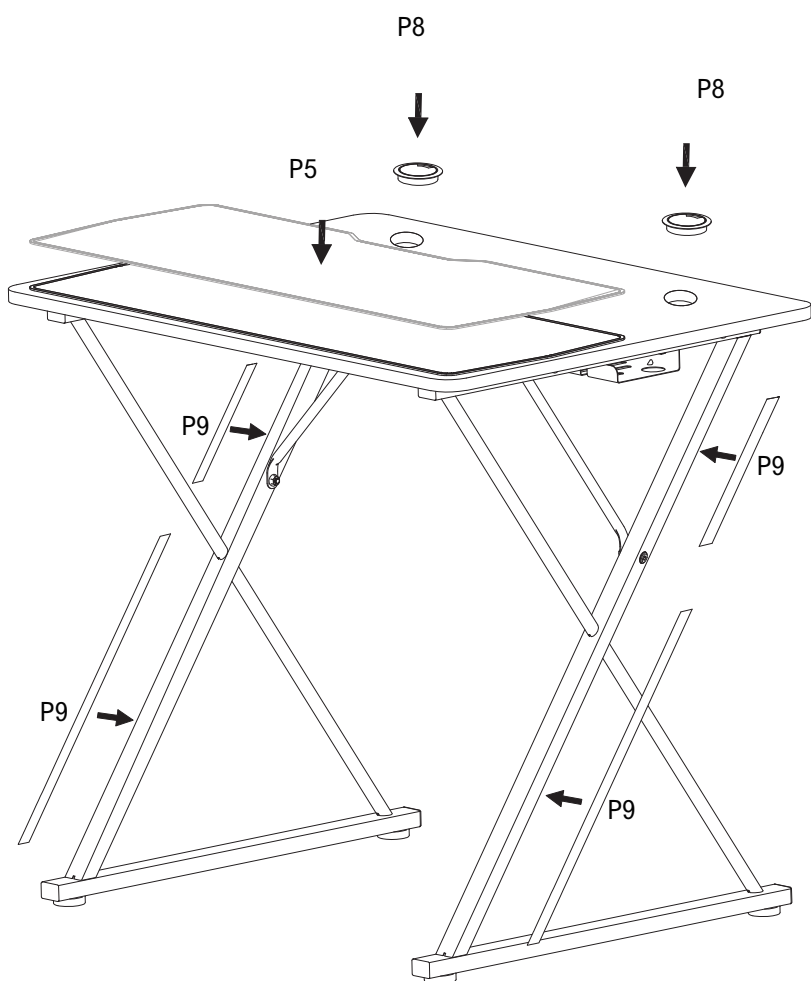
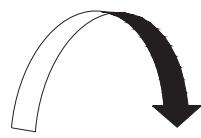


4

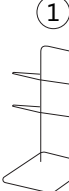

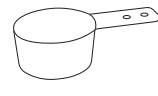

- ③  x 2
- ⑤  x 4



5



ACCESSORY

- ①  x 1
- ②  x 1
- ③  x 1
- ④  x 4

