

# MODEL # ERK-OC16

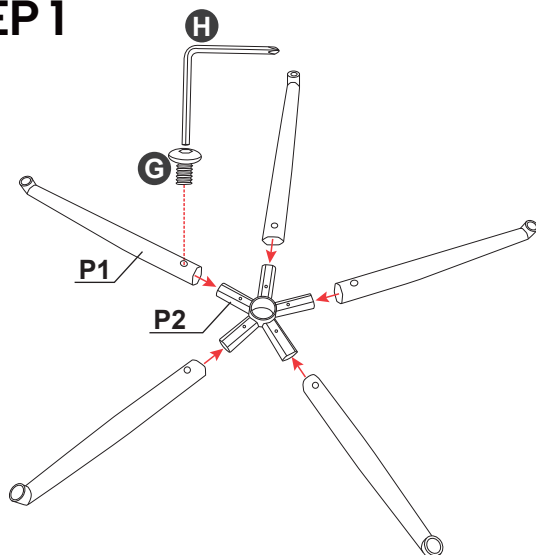
## PARTES

<b>P1</b> x5	<b>P2</b> x1	<b>P3</b> x1	<b>P4</b> x1	<b>P5</b> x5
<b>P6</b> x1	<b>P7</b> x1	<b>P8</b> x1	<b>P9</b> x1	<b>P10</b> x1
<b>P11</b> x4	<b>P12</b> x1	<b>P13</b> x1	<b>P14</b> x1	<b>P15</b> x1

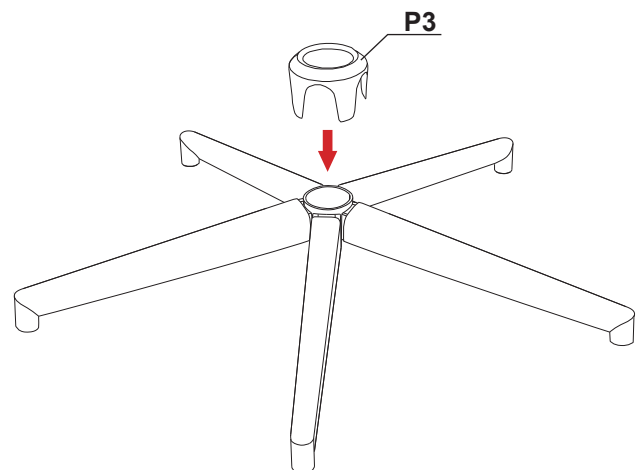
<b>A</b> M6*35 x4	<b>B</b> M6*20 x8	<b>C</b> M8*30 x2	<b>D</b> M8*20 x3	<b>E</b> M4*14 x2
<b>F</b> x3	<b>G</b> M6*15 x5	<b>H</b> x1		

## INSRTUCTIONS

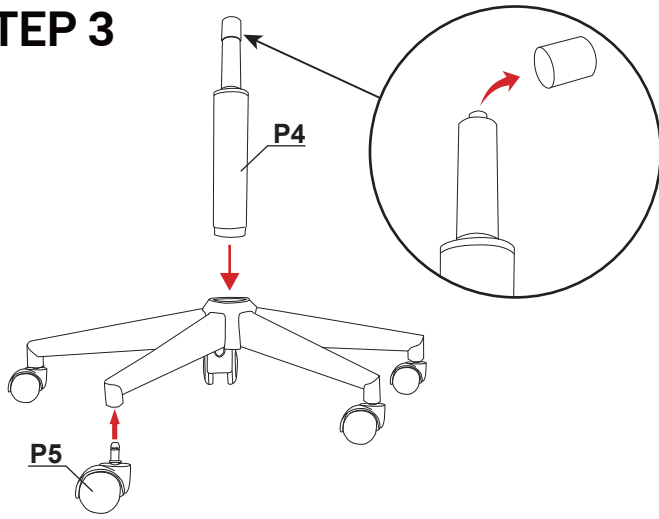
### STEP 1



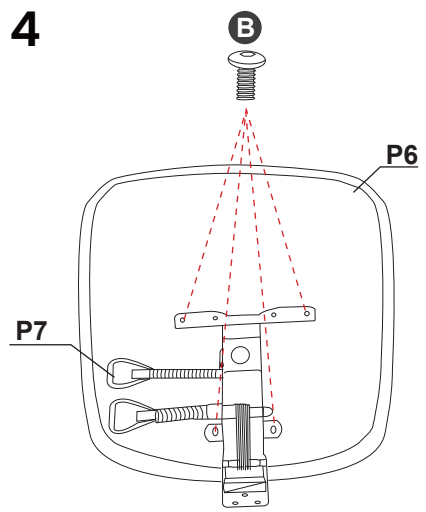
### STEP 2



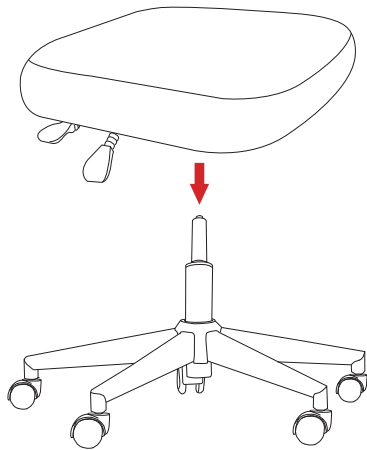
### STEP 3



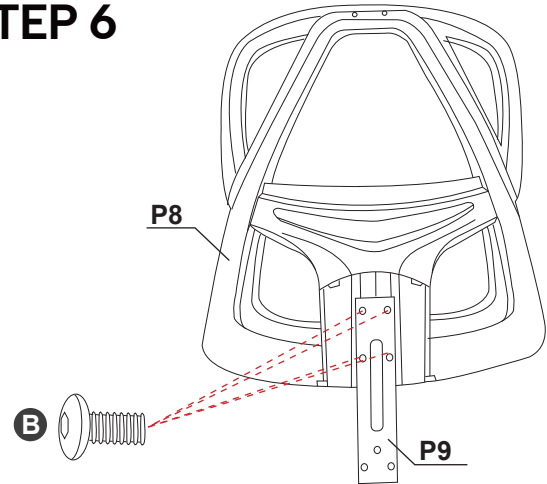
### STEP 4



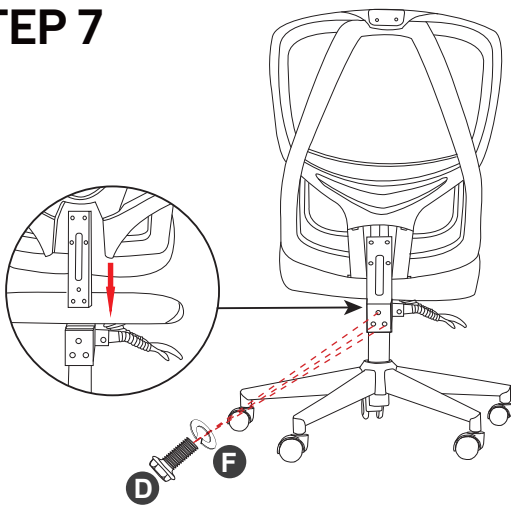
### STEP 5



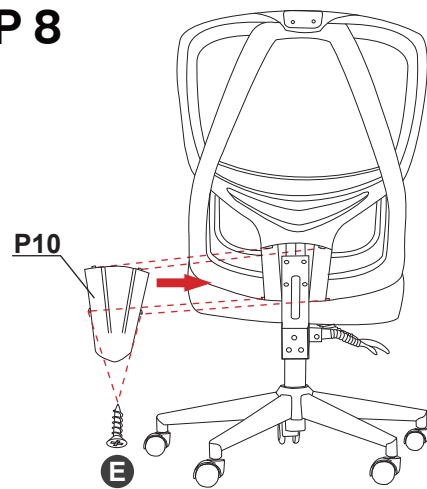
### STEP 6



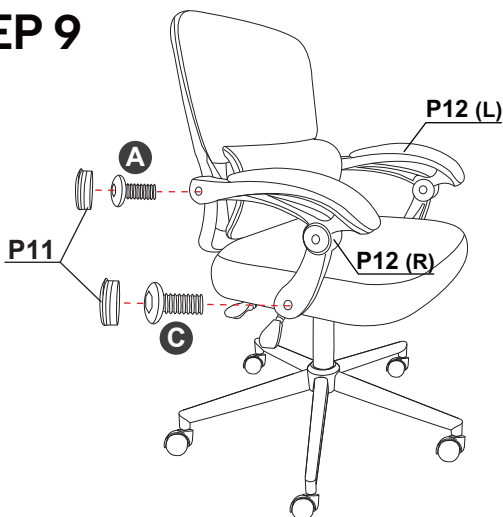
### STEP 7



### STEP 8



### STEP 9



### STEP 10

