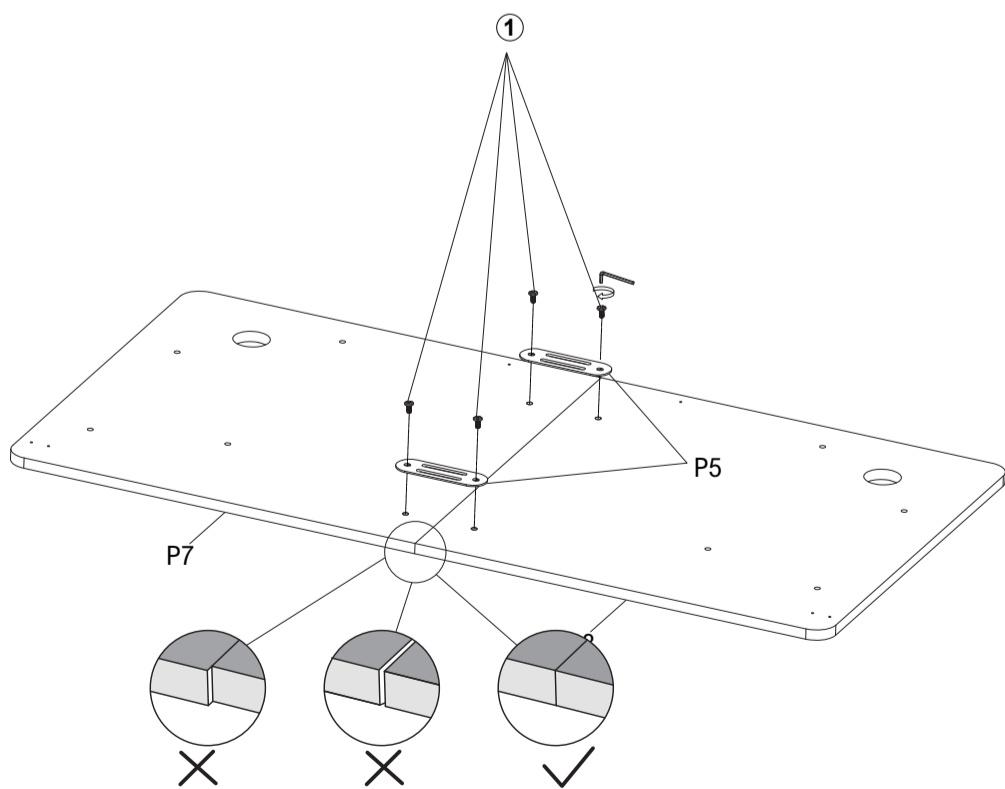
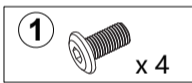


COMPONENT

①	②	③	④	⑤	⑥	⑦	⑧					
X14	X14	X2	X2	X2	X1	X1	X1					
P1	P2	P3	P4	P5	P6	P7	P8	P9	P10	P11	P12	P13
X2	X2	X2	X1	X2	X2	X1	X1	(Mousepad) X1	X4	X2	X2	(Stickers) X1

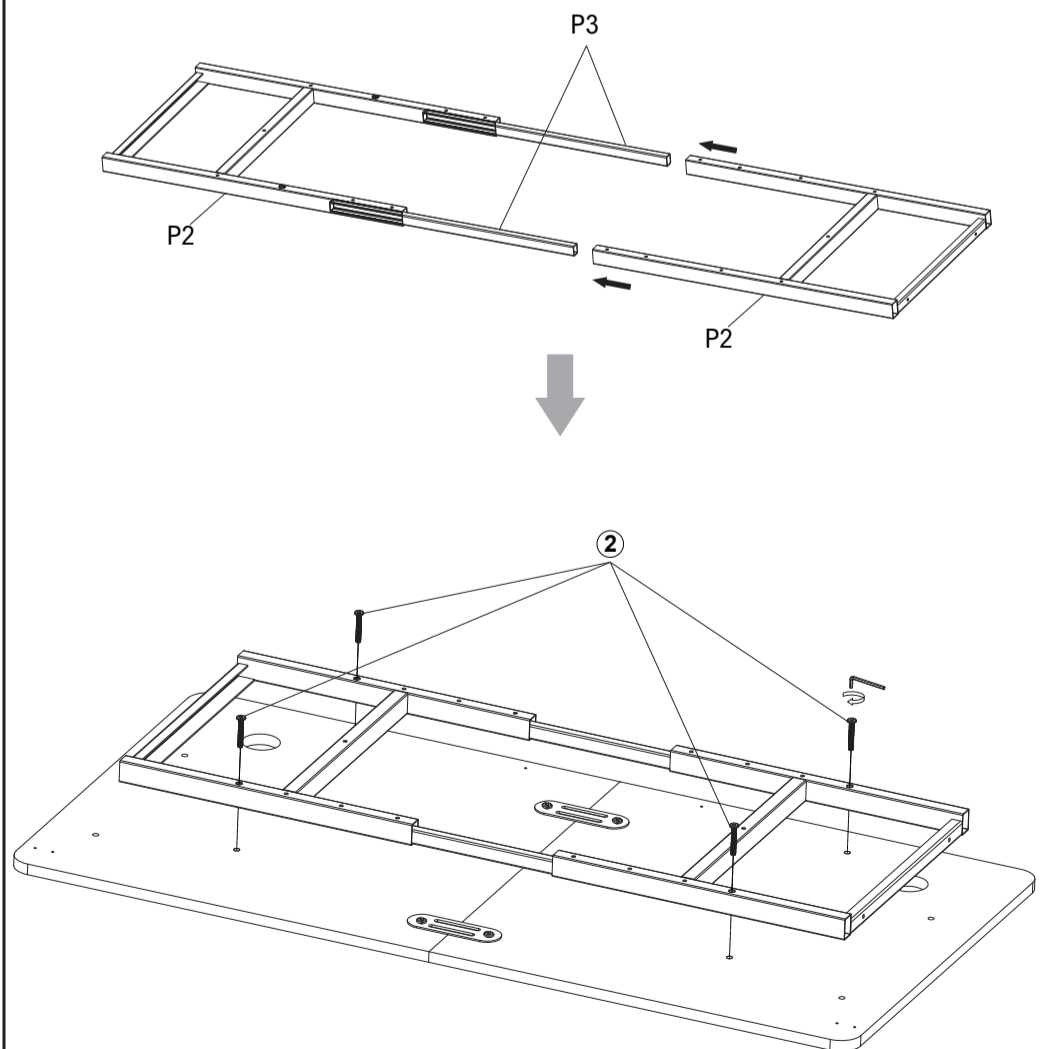
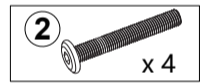
Caution: This instruction manual is intended for universal reference, slight variations in part dimensions are normal. (Manual Number: 602-09-0504)

1

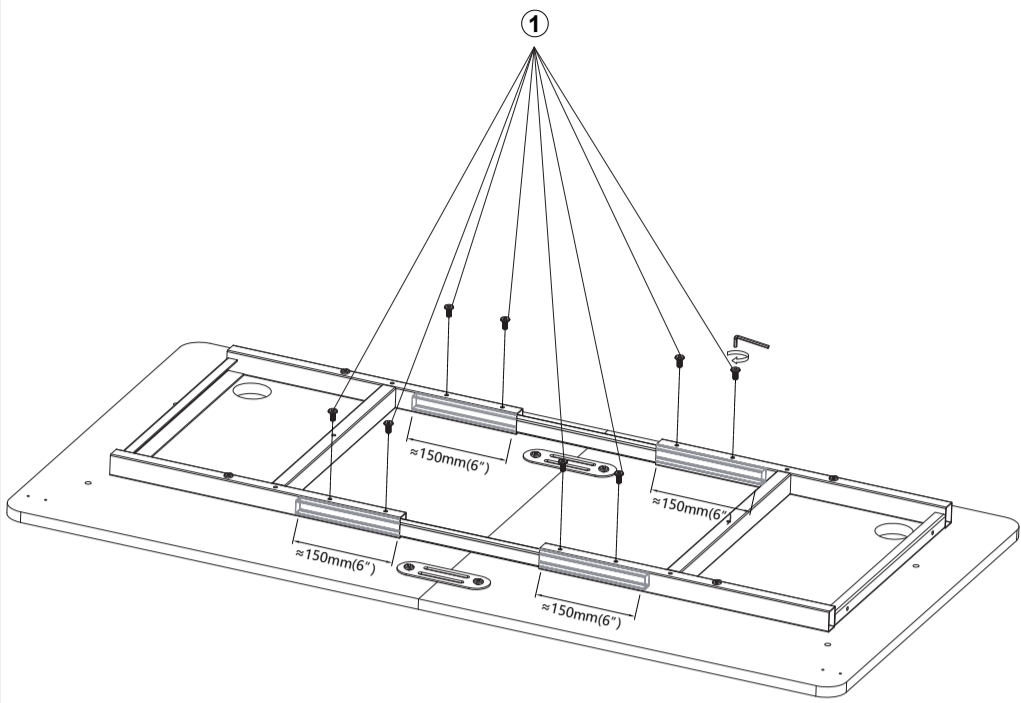
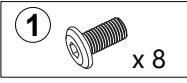


! Before tightening the screws, you must ensure that the two desktop pieces are aligned and flush against each other.

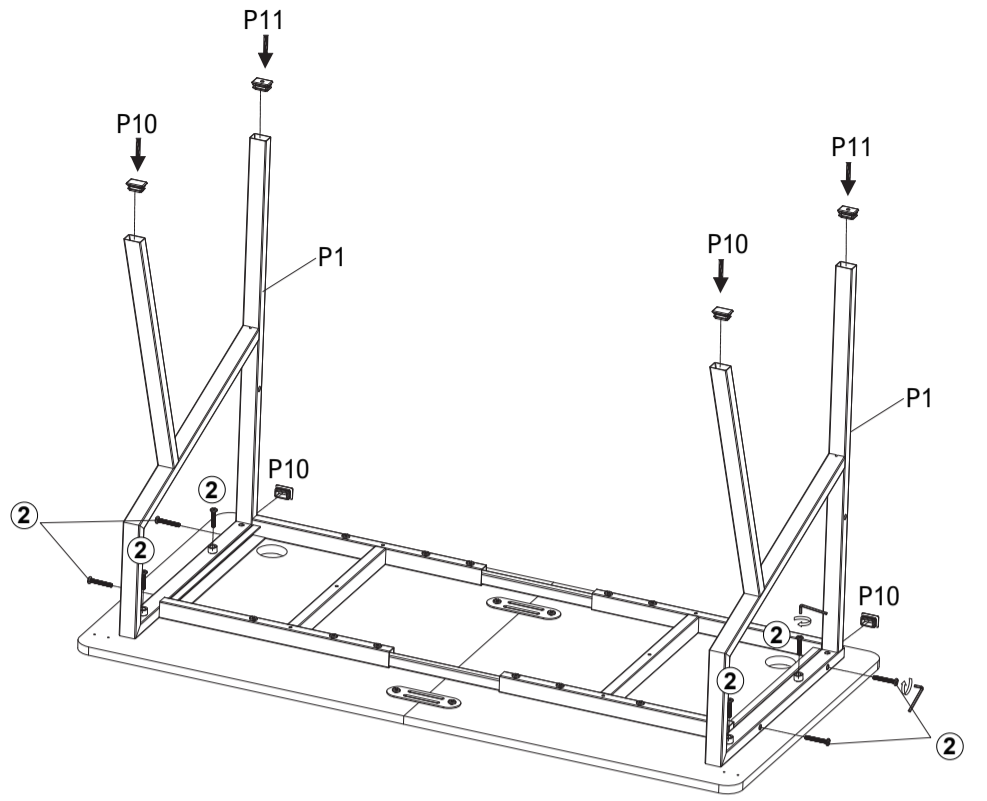
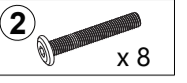
2



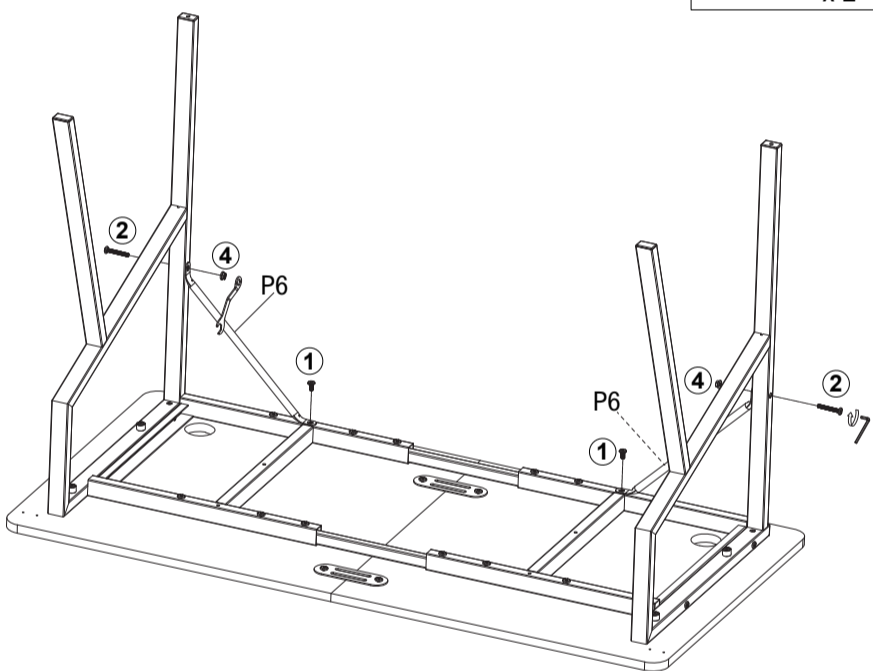
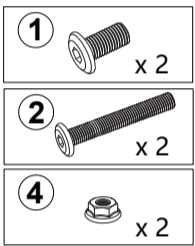
3



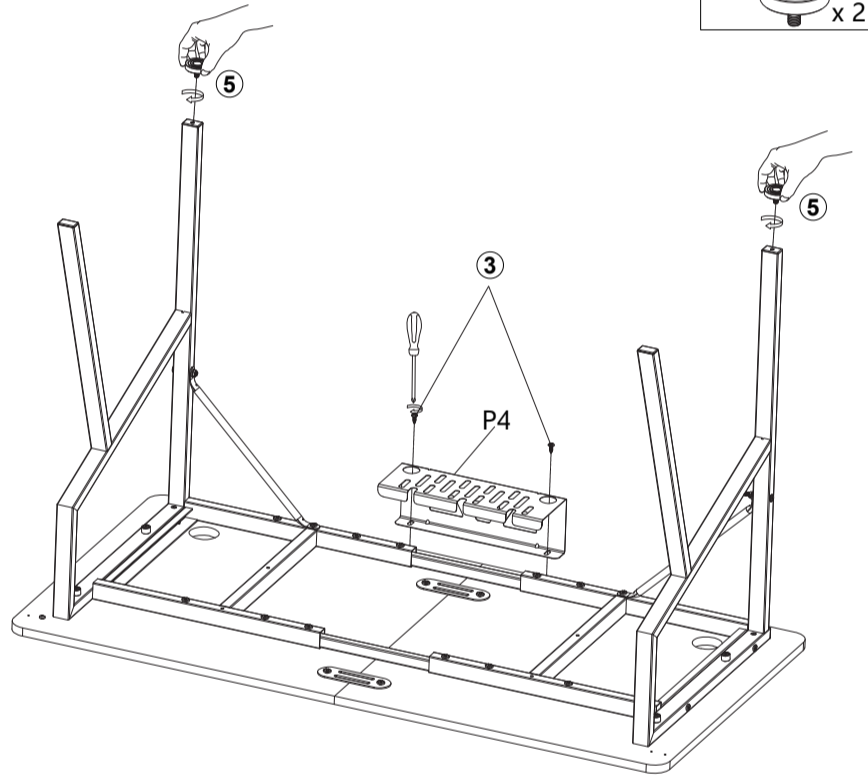
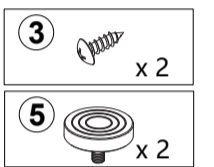
4



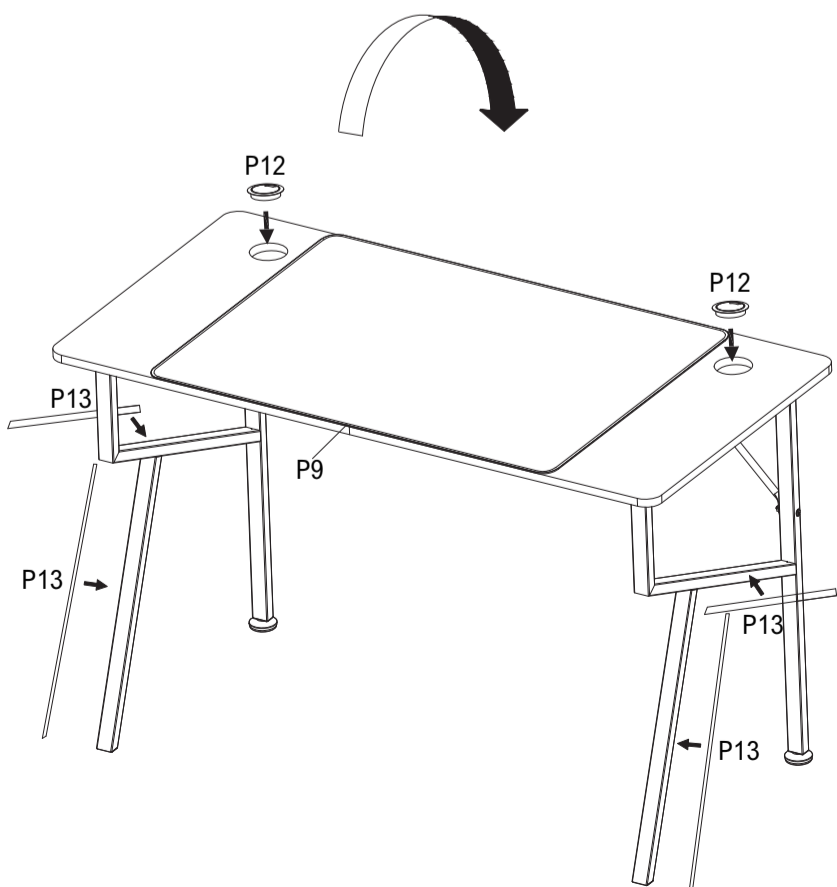
5



6



7



ACCESSORY



1 X 1



2 X 1



3 X 1



4 X 4

