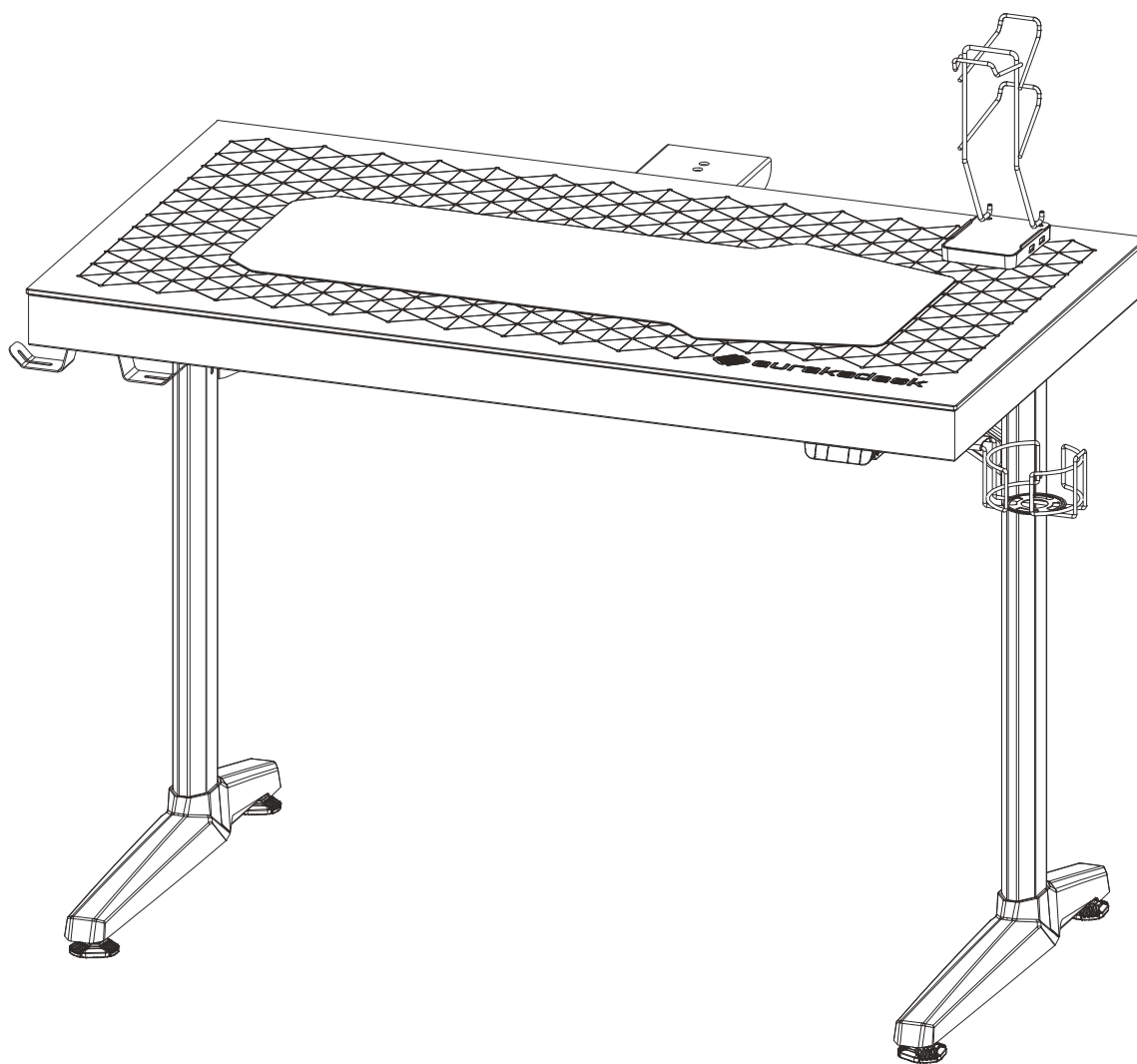


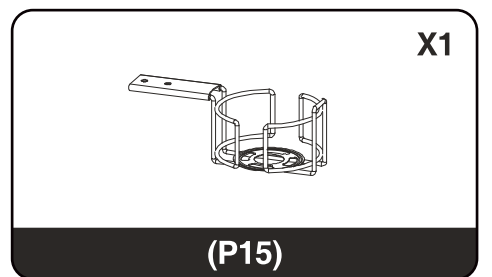
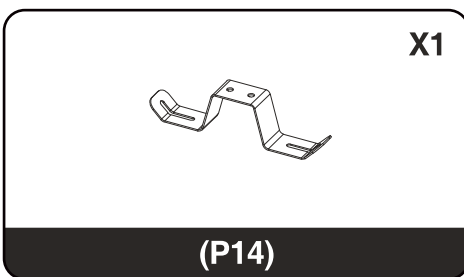
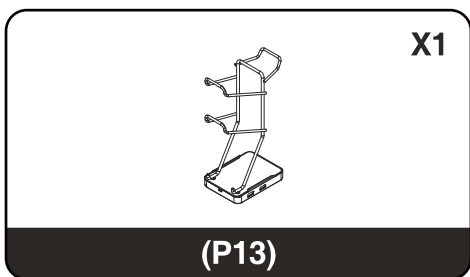
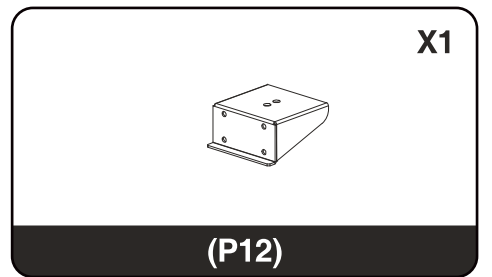
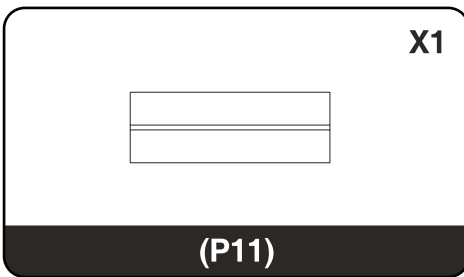
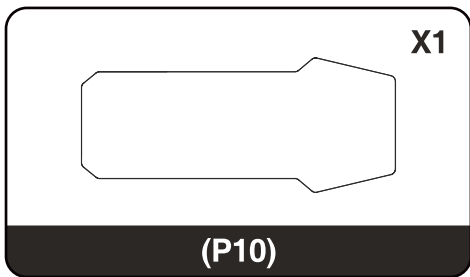
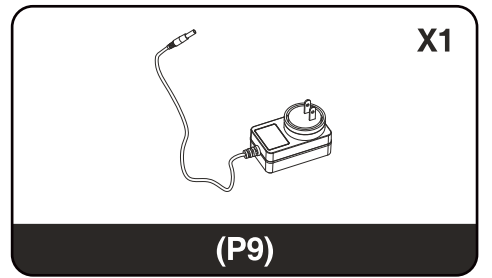
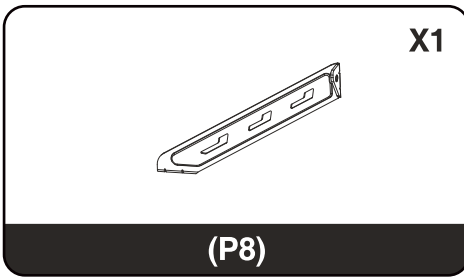
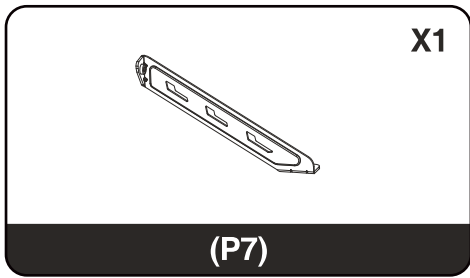
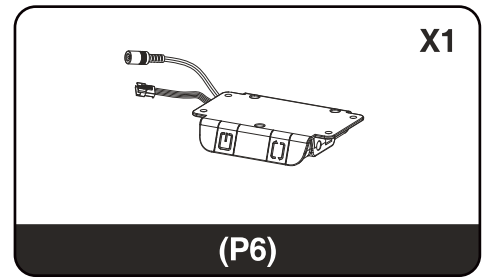
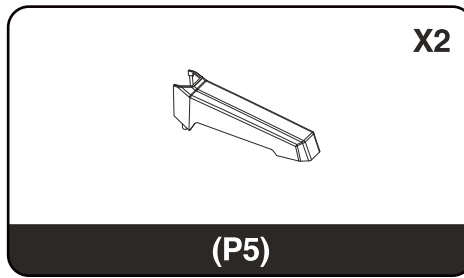
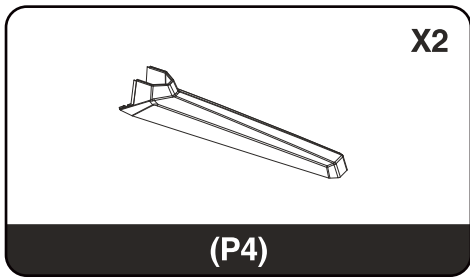
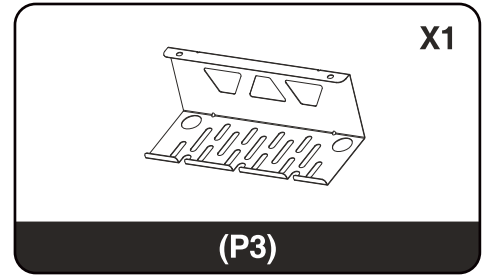
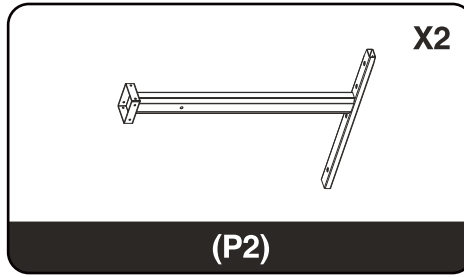
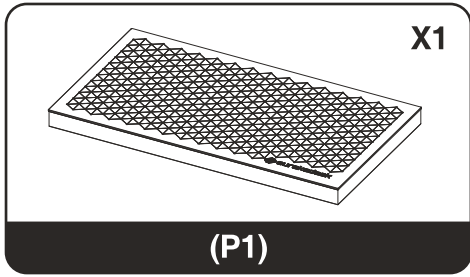
I43 POLYGON LEG GLASS DESKTOP GAMING DESK

I43异形管玻璃电竞桌



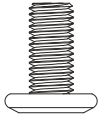
If you need to return the goods, please keep all the packaging materials and return it in the original packaging.
如需退货请保留好所有包装材料，并按原包装包好退回。

PARTS / 部件清单



HARDWARE / 配件清单

G1/4*12 X18



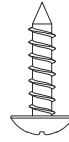
(A)

M4*12 X4



(B)

M5*15 X8



(C)

G1/4*30 X8



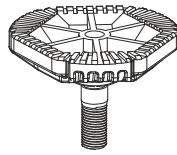
(D)

G1/4*51 X2



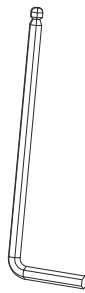
(E)

X4



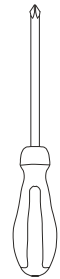
(F)

K4 X1



(G)

X1



(H)

ASSEMBLY INSTRUCTIONS

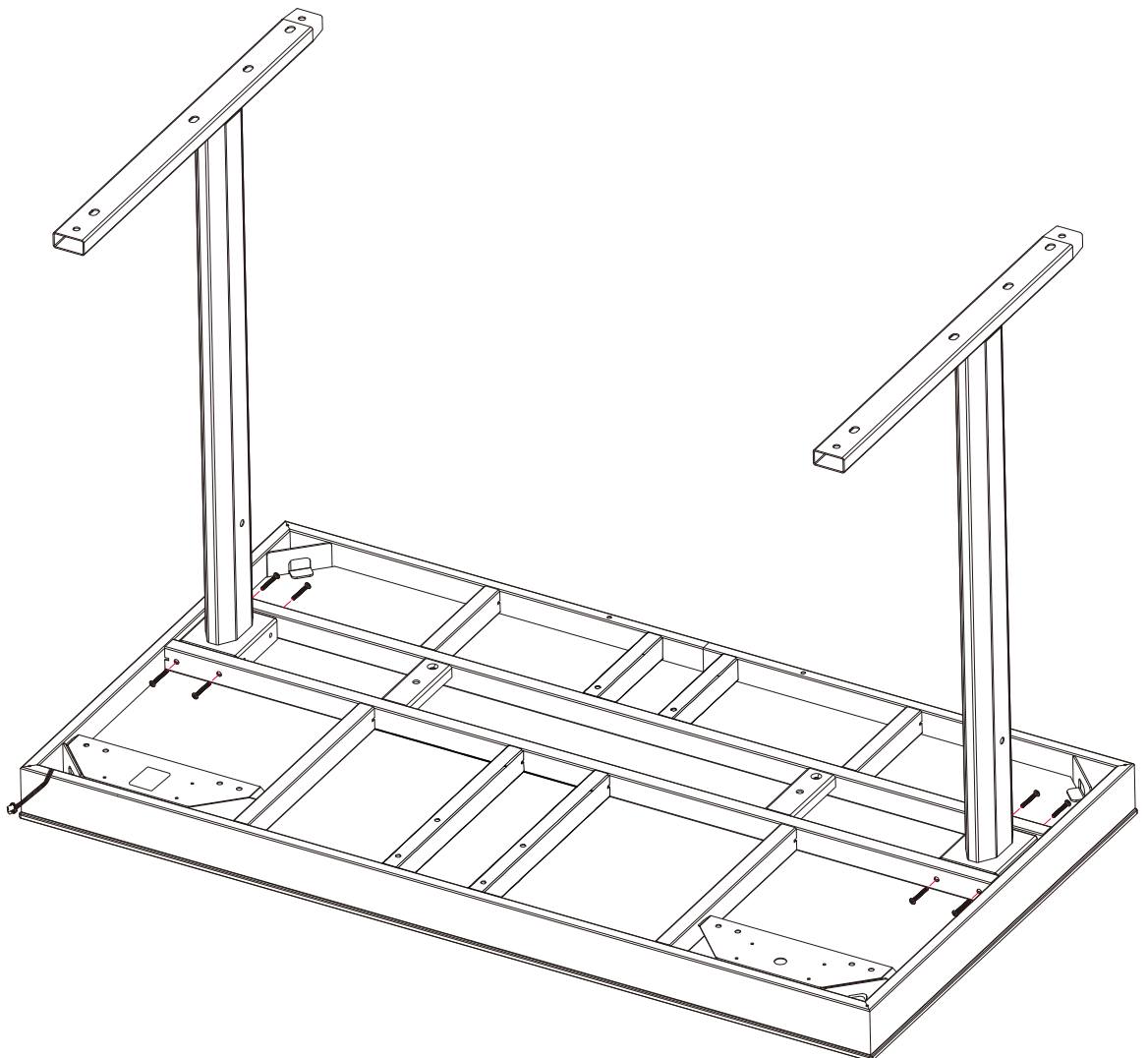
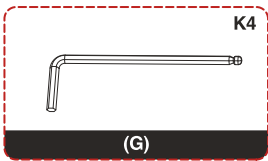
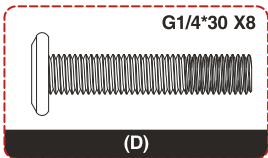
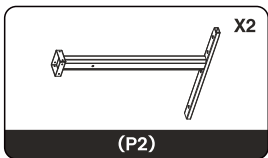
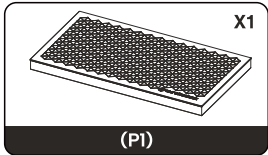
安装步骤



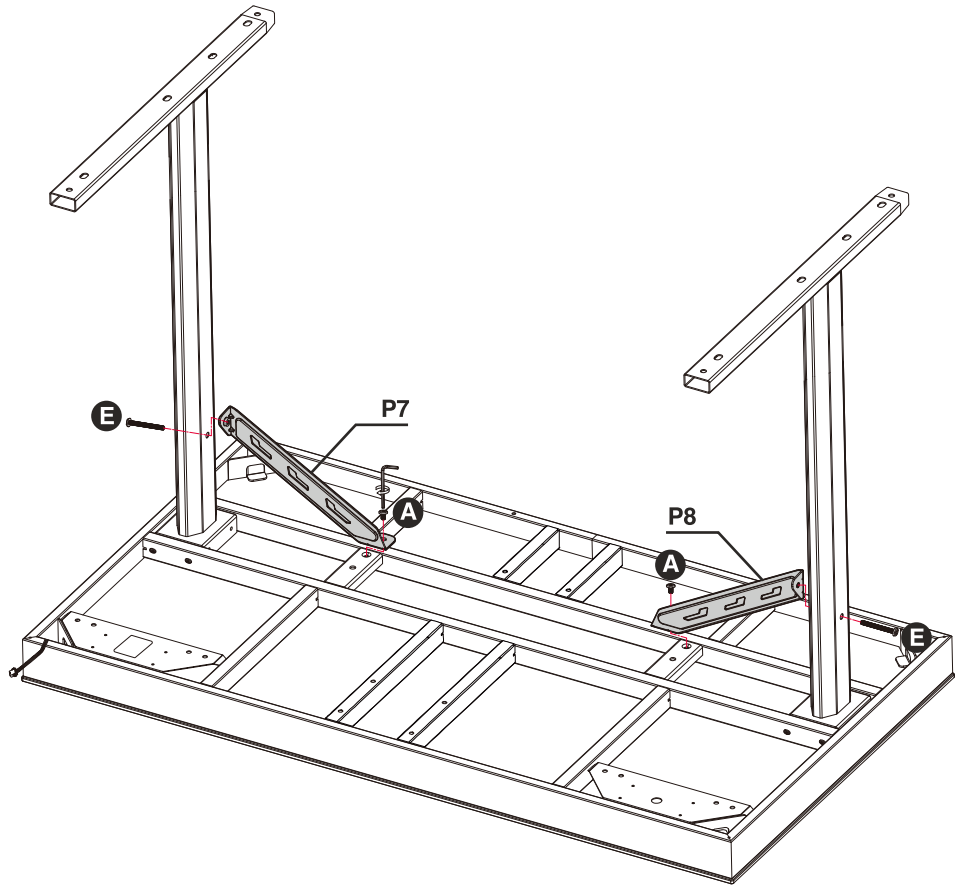
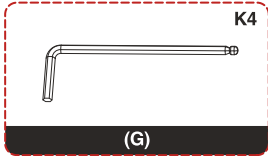
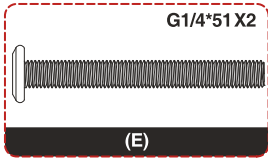
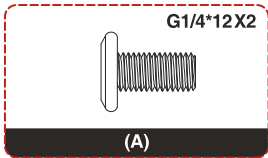
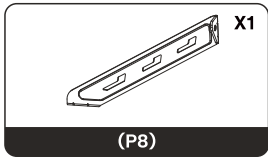
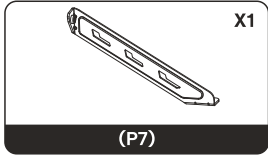
Do not tighten the screws until all of them are fastened into the holes.

安装时先不要把螺丝拧紧，等所有螺丝都拧到螺纹孔上再将全部螺丝拧紧。

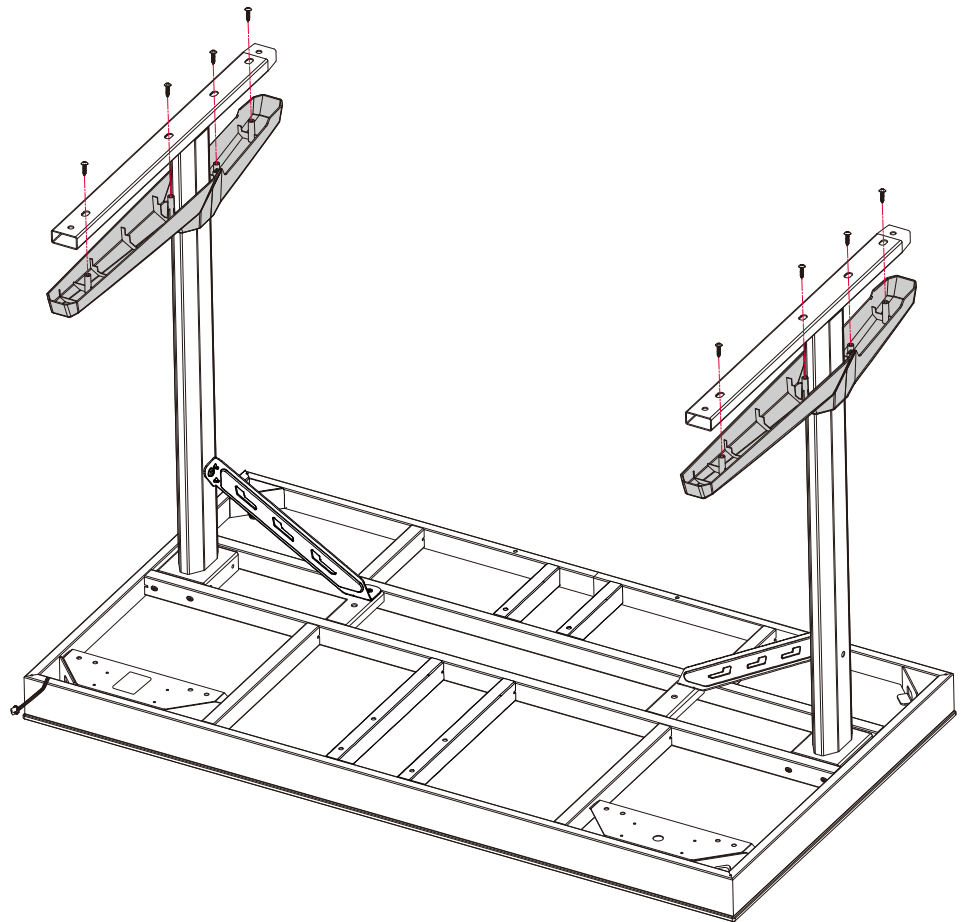
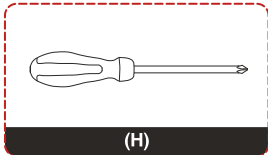
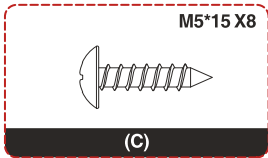
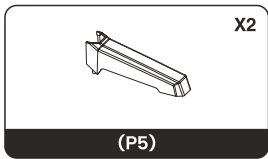
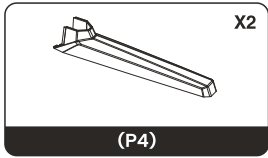
STEP 1



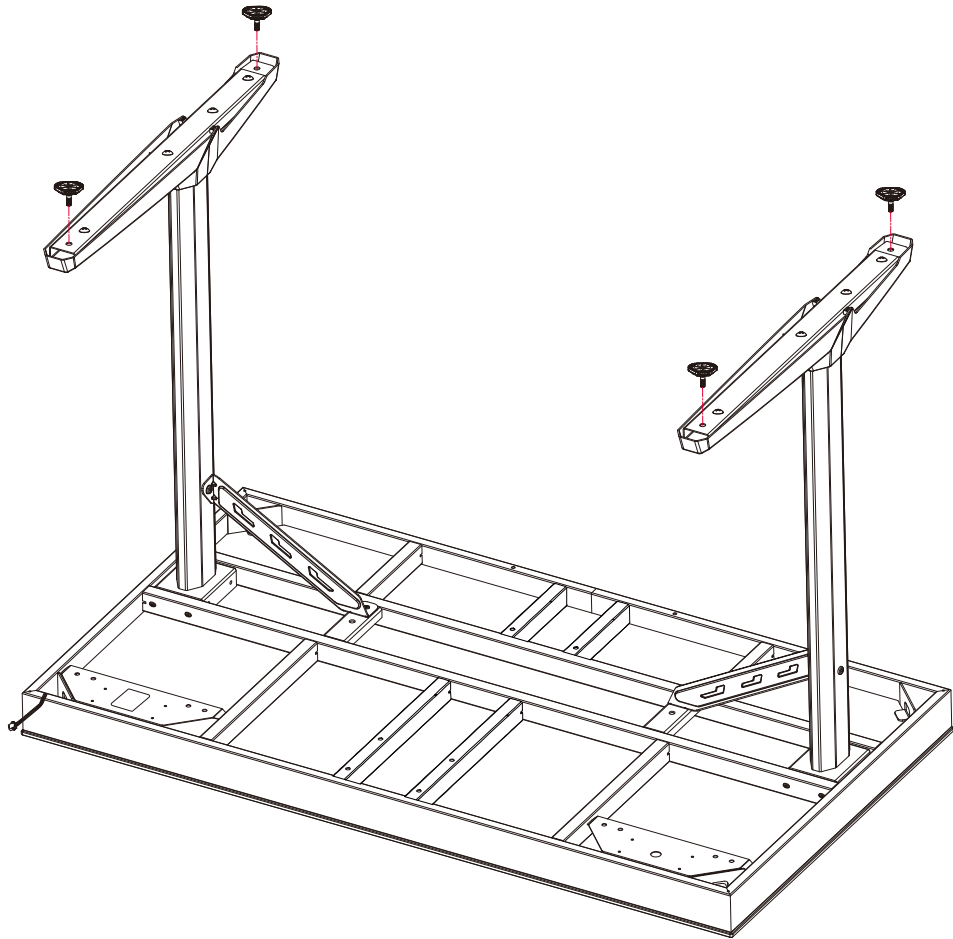
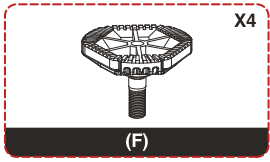
STEP 2



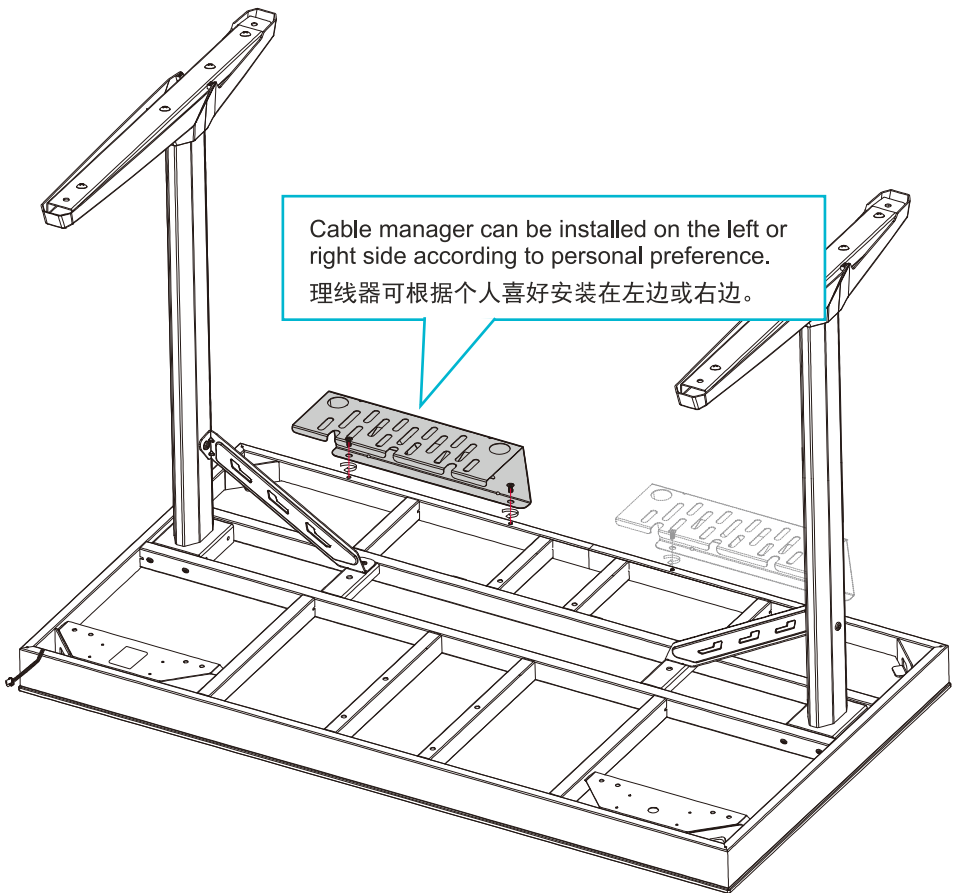
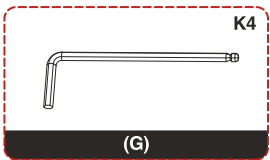
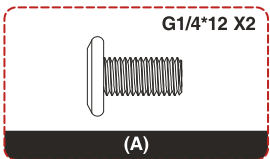
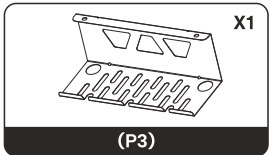
STEP 3



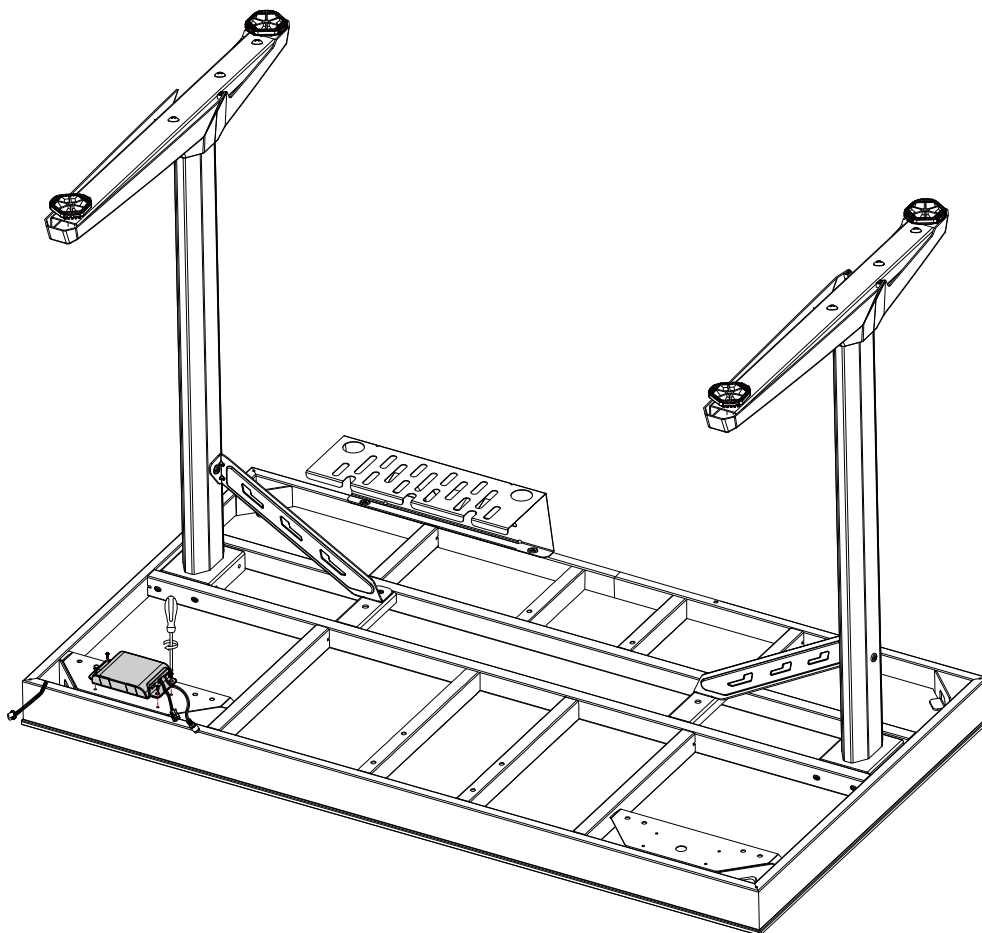
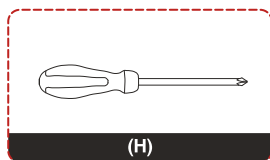
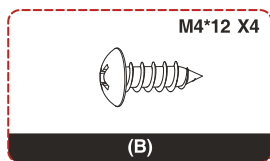
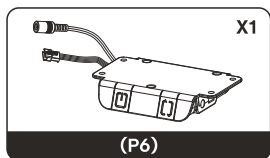
STEP 4



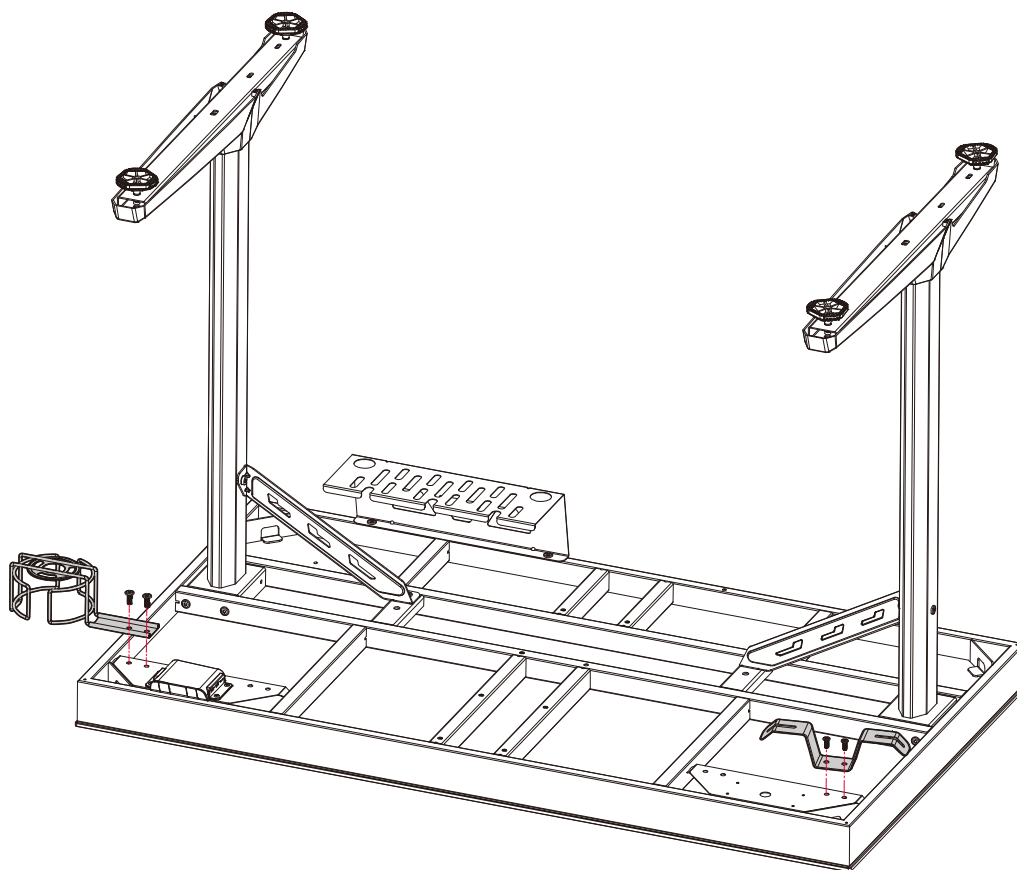
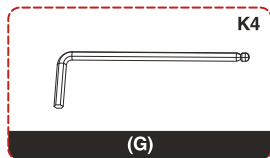
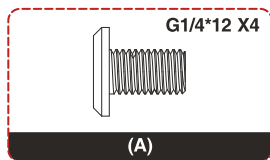
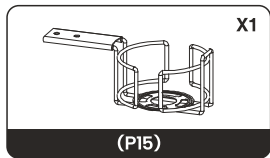
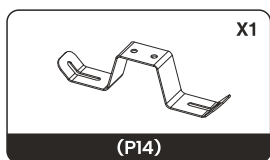
STEP 5



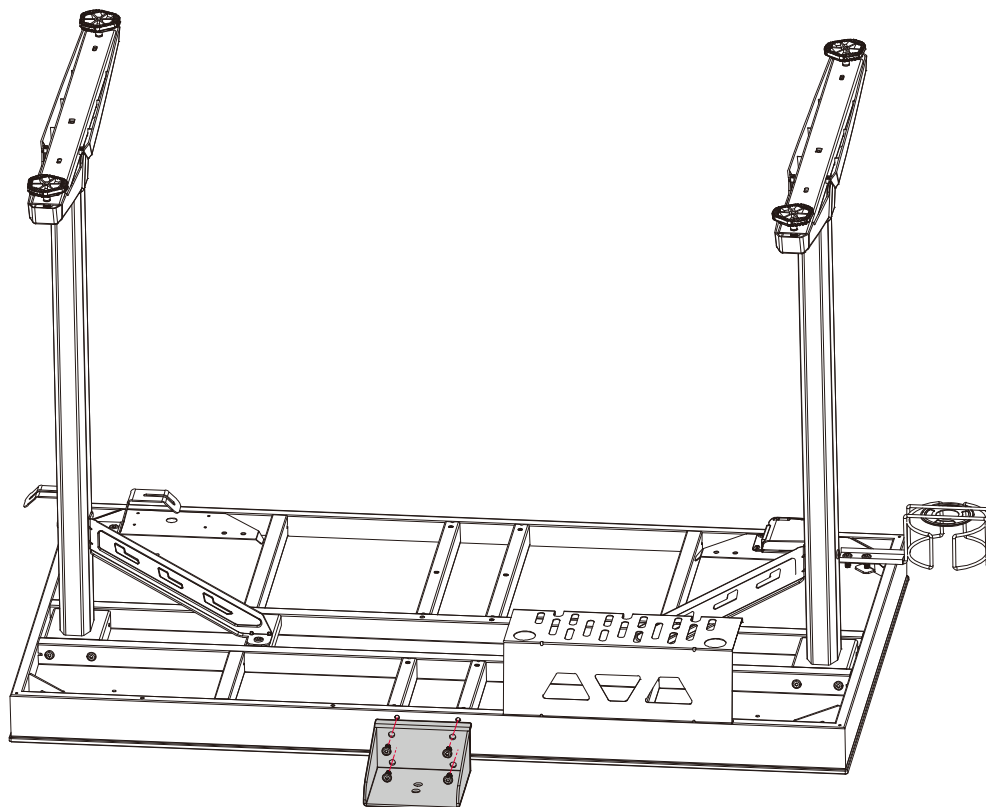
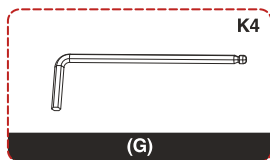
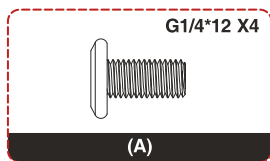
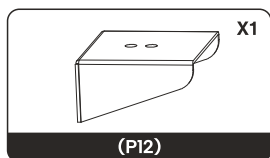
STEP 6



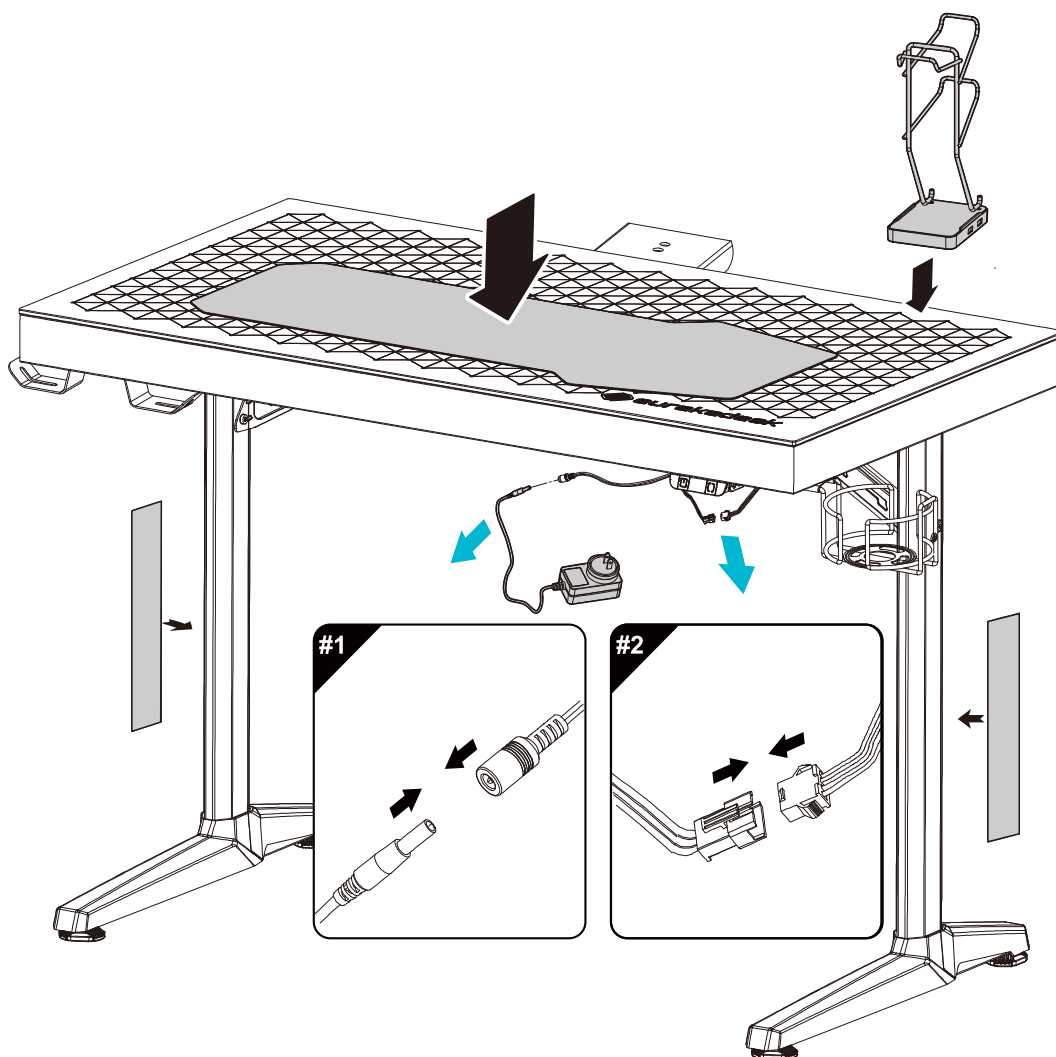
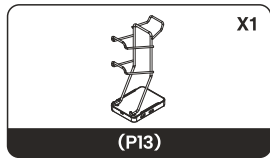
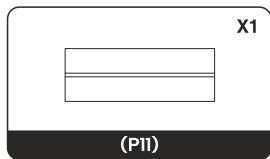
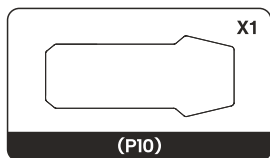
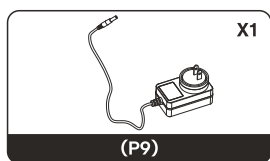
STEP 7



STEP 8

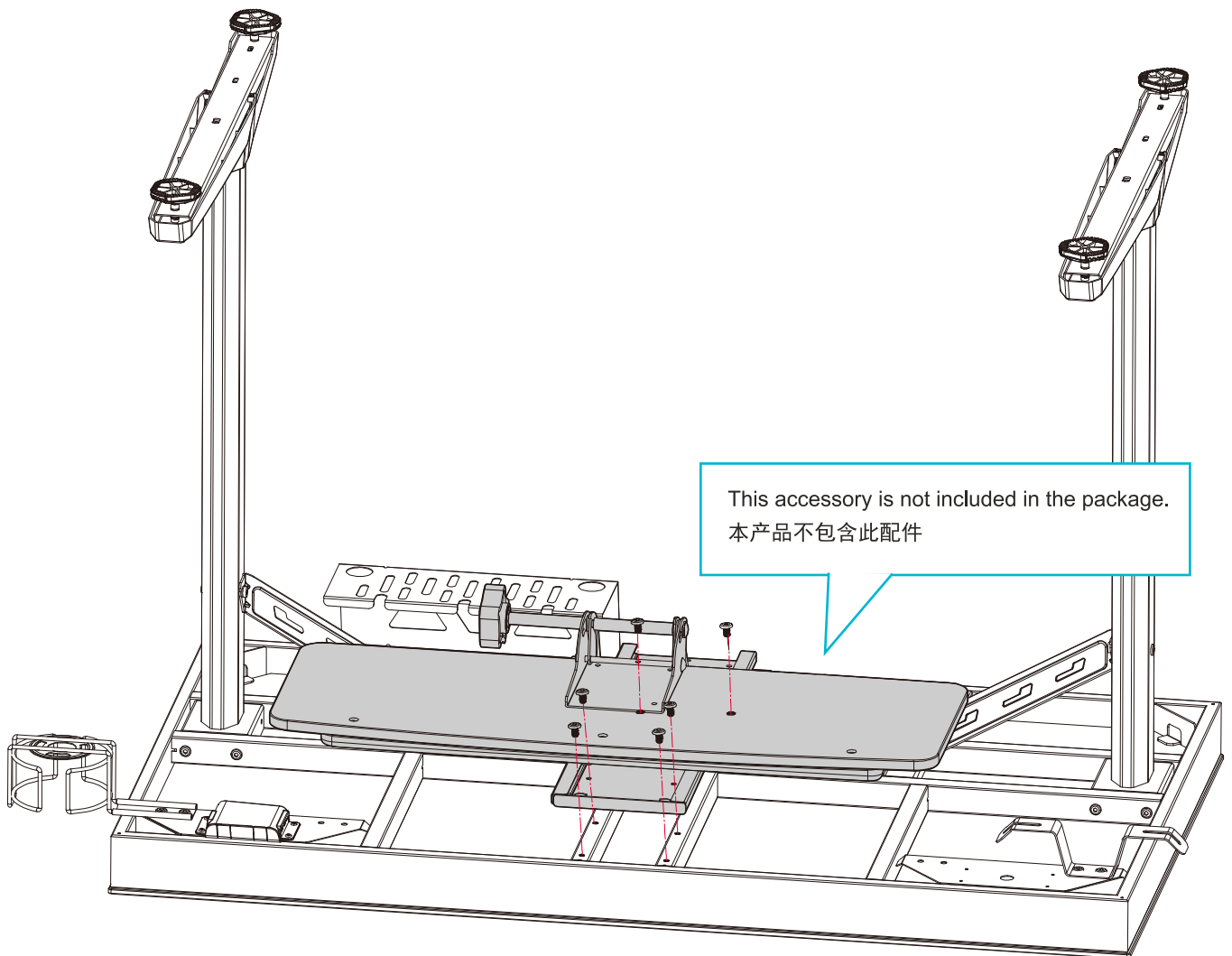
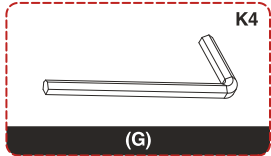
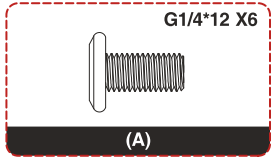


STEP 9



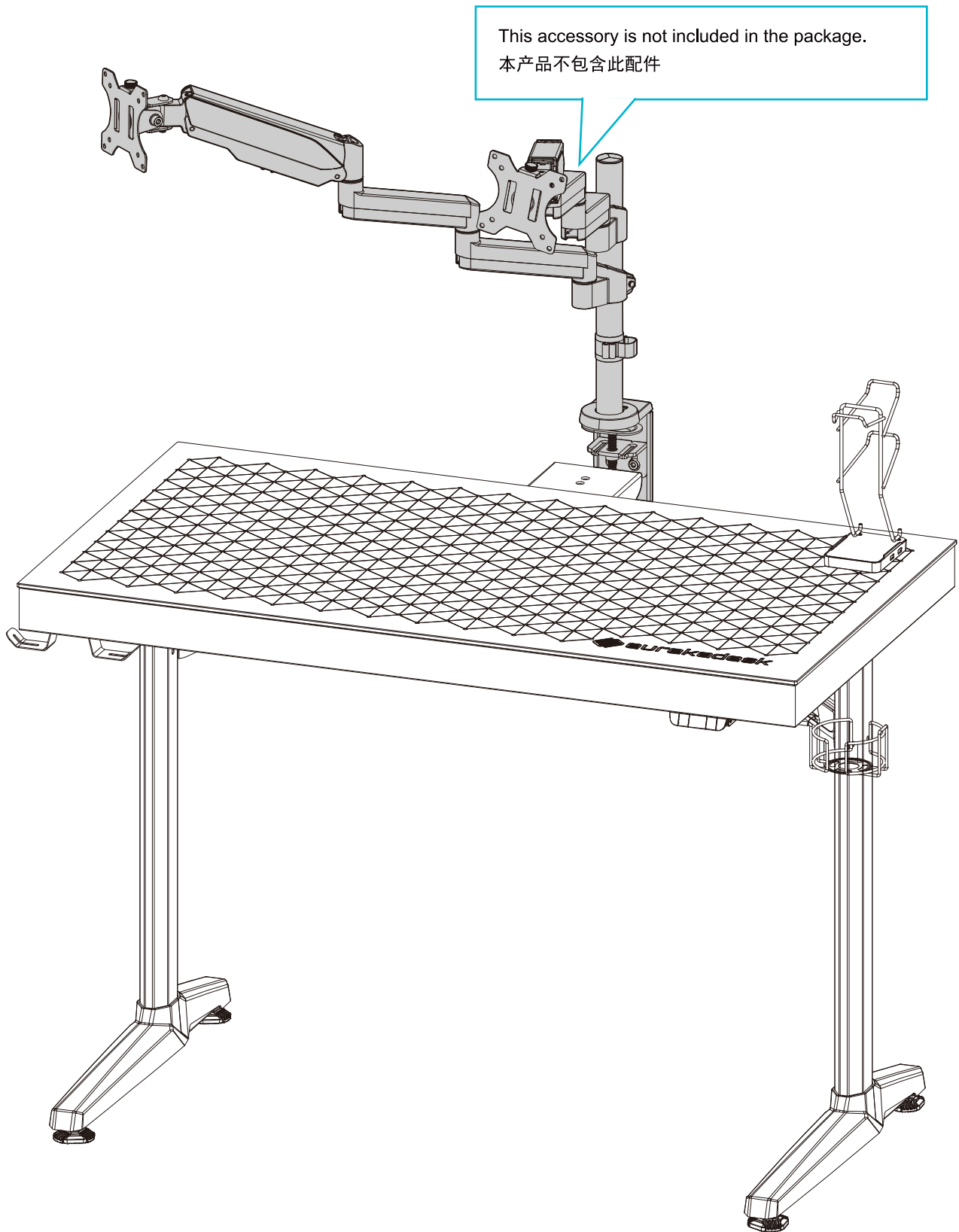
ACCESSORY KEYBOARD TRAY INSTALLATION

选配件键盘拖的安装



OPTIONAL MONITOR ARM INSTALLATION

选配件显示器支臂的安装



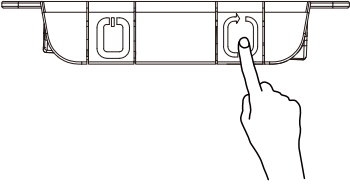
LIGHTS OPERATING INSTRUCTIONS

灯光操作方法

Switch between modes / 模式切换:

Switching light modes: Press "⏻". Please ensure that it has been exited the network connection with your mobile phone before using this function.

短按 "⏻" 键，切换一种灯光模式。注意此功能的实现需要退出与手机的配网模式。



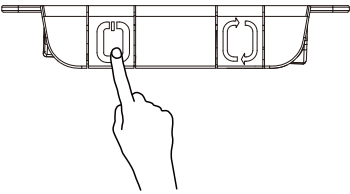
Turning on/off / 开关/配网:

1. Press "⏻" briefly to turn off/on the light.

2. Connect to the Internet: Press and hold "⏻" for 10 seconds and the device will flash and begin to connect to the Internet.

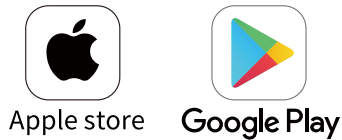
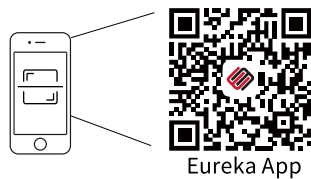
1、短按 "⏻" 键，关闭灯光。

2、长按 "⏻" 键持续10秒以上，设备将进入快速闪烁状态，进入配网模式。



DOWNLOAD AND INSTALL MOBILE APP

下载安装手机APP



This product is controlled by a mobile app, which is available on both Android and iOS devices.

1. Apple phones: require iOS10.0 or later.
2. Android phones: require Android 5.0 or later.
3. Please search for "Eureka Smart" in the App Store.
4. Please search for "Eureka Smart" or "Eureka" in the Google Play.
5. Scan the QR code below to download the app.
6. Open the "Eureka" app and sign up for an account or log in with your existing account.

本设备支持手机 APP 进行控制，支持 IOS 和安卓系统。

1. 苹果手机需要 IOS10.0 或更高版本。
2. 安卓手机需要 Android 5.0 或高版本。
3. 可在 App Store 搜索 "Eureka Smart" (中文: 易瑞康) APP。
4. 可在 Google Play 搜索 "Eureka Smart" 或者 "Eureka" 找到 APP。
5. 可扫描下面二维码下载 APP。
6. 打开 "Eureka" APP, 注册新账号或使用已有账号登录。

CONNECT TO THE APP

设备连接APP

Preparation / 准备工作

Turn on the controller and open the app. Please make sure your phone and device are connected to the same Wi-Fi.

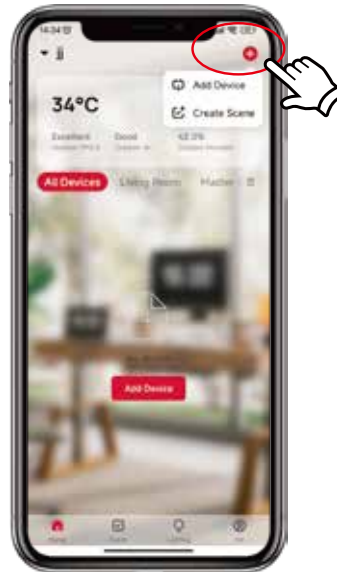
打开控制器设备，手机进入APP首页，请确保你的手机和设备连接到同一个WIFI，手机开启定位权限。

Connect the Controller / 连接控制器

1 When using the APP to control the lights, press and hold the switch "⏻" for 10 seconds, and the device will be in a fast flashing state, i.e. it enters the network distribution mode.

当使用APP控制灯光时，长按开关“⏻”10秒，设备将进入快速闪烁状态，即进入配网模式。

2 Tap “+” on the app and add the controller.
手机APP里找到“+”添加设备。



3 Make sure that you turn on Bluetooth on your phone beforehand. Otherwise, when you open the app, a pop-up window will appear inviting you to enable Bluetooth. Then, select "Allow".

如果你的手机在连接之前没有打开蓝牙，那么打开设备后，手机APP会弹出打开蓝牙的提示界面，请选择“允许”，蓝牙功能开启。若在连接设备之前已经打开蓝牙，则无此提示。

4 Select "Add" to continue to the next step. Then, enter your Wi-Fi password and select "Confirm". It will start connecting. You need to wait until "Added successfully" appears and select "Finished".

APP弹出提示信息，选择“添加”，点击进入下一个界面输入WIFI密码，选择“确认”，即可进入“连接.....”状态，这一步需要等待手机与设备配对。当显示“添加成功”时，选择“完成”，然后进入操作模式。

