



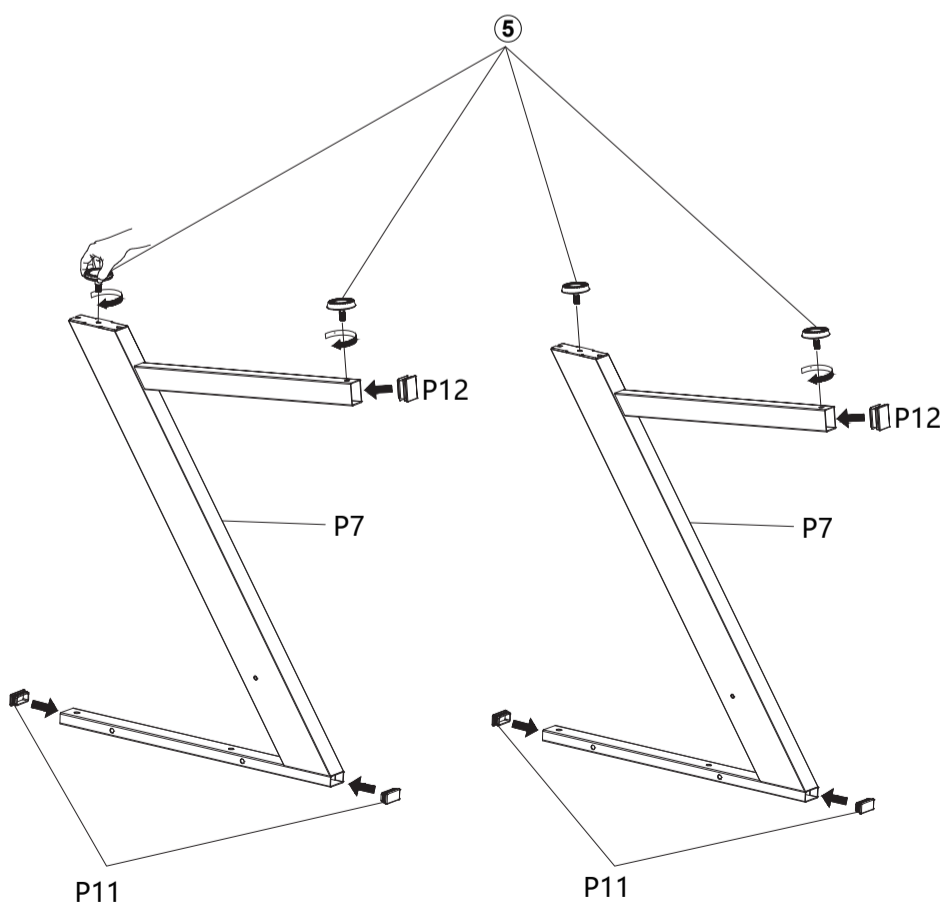
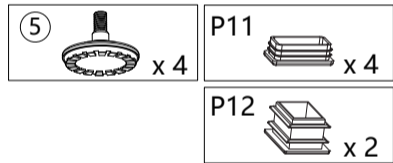
Caution: This instruction manual is intended for universal reference, slight variations in part dimensions are normal.

GD-4301-V1

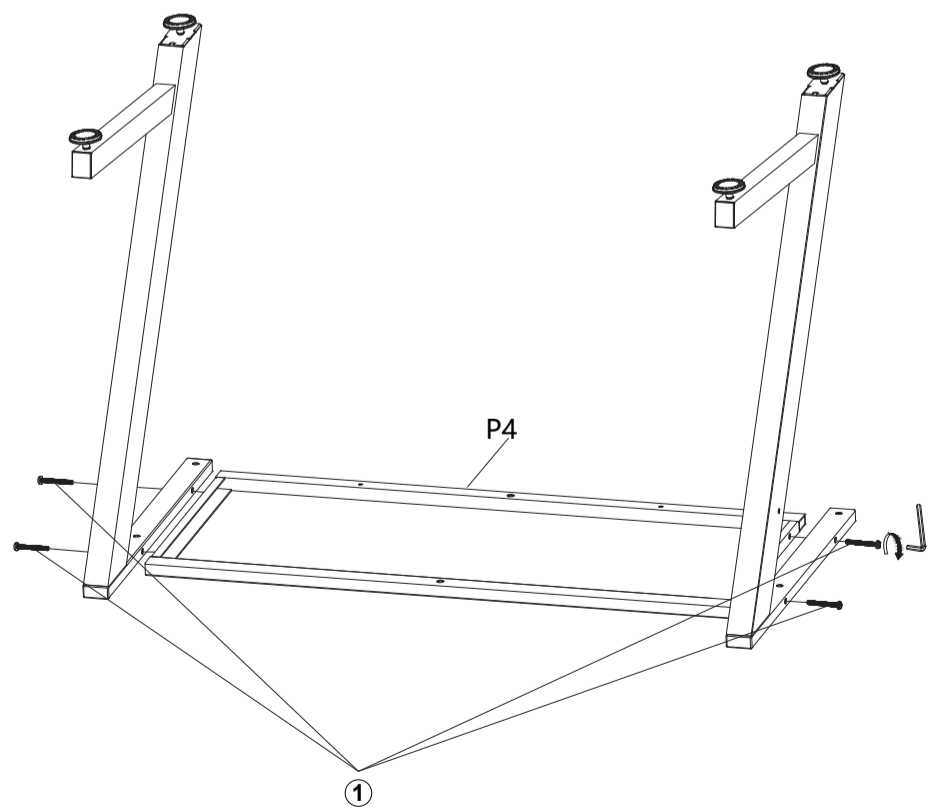
COMPONENT

①	②	③	④	⑤	⑥
x 6	x 6	x 2	x 2	x 4	x 1
P1	P2	P3			
X1	X1	X1			
P4	P5	P6			
X1	X1	X1			
		(Mousepad)			
P7	P8	P9			
X2	X2	X2			
P10	P11	P12	P13		
(Stickers)	X4	X2	X2		
X1					

1

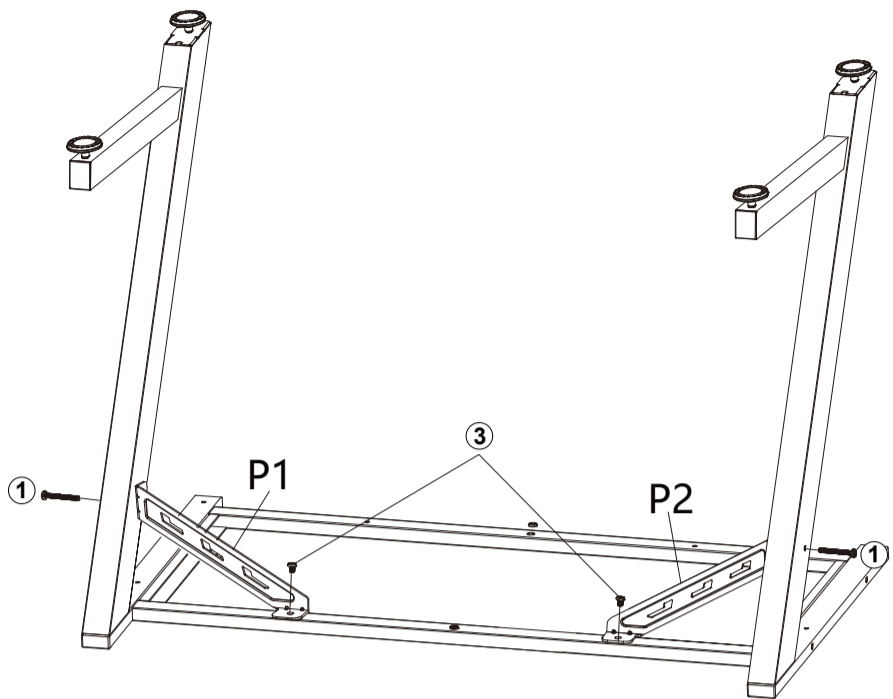


2



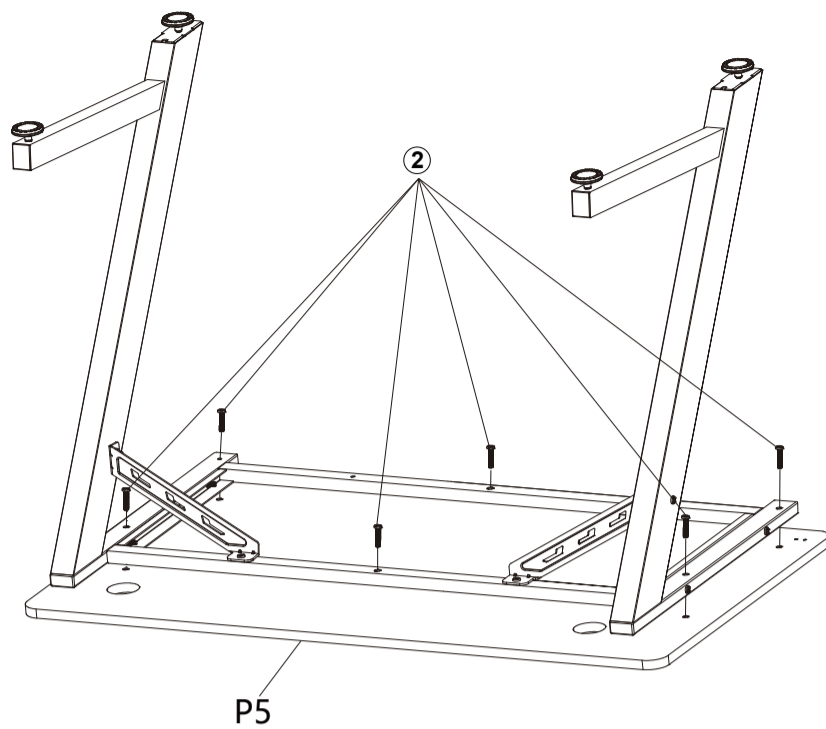
3

- ① x 2
- ③ x 2



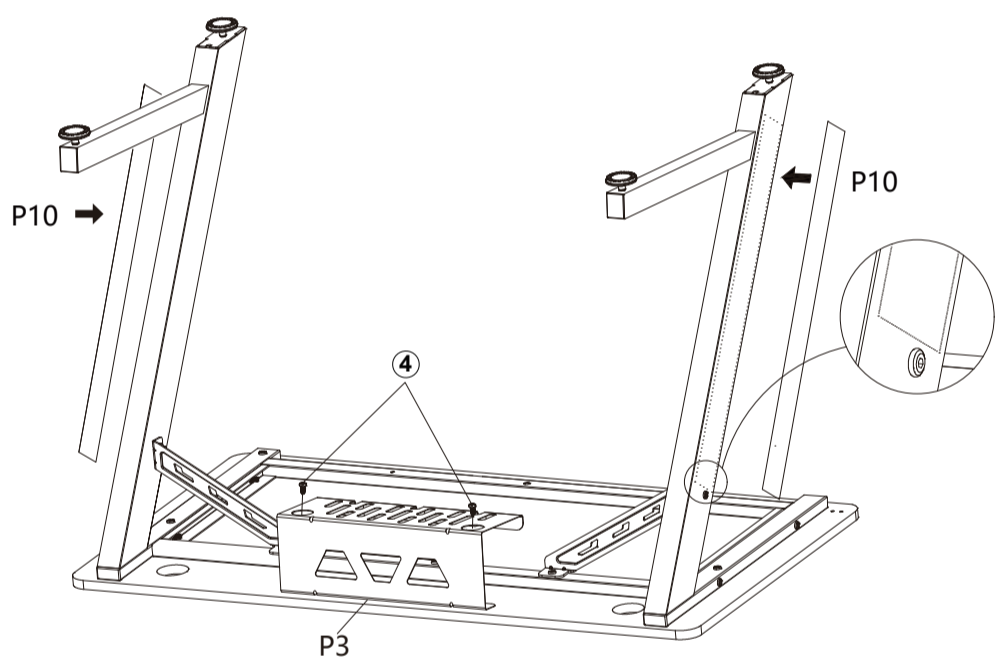
4

- ② x 6

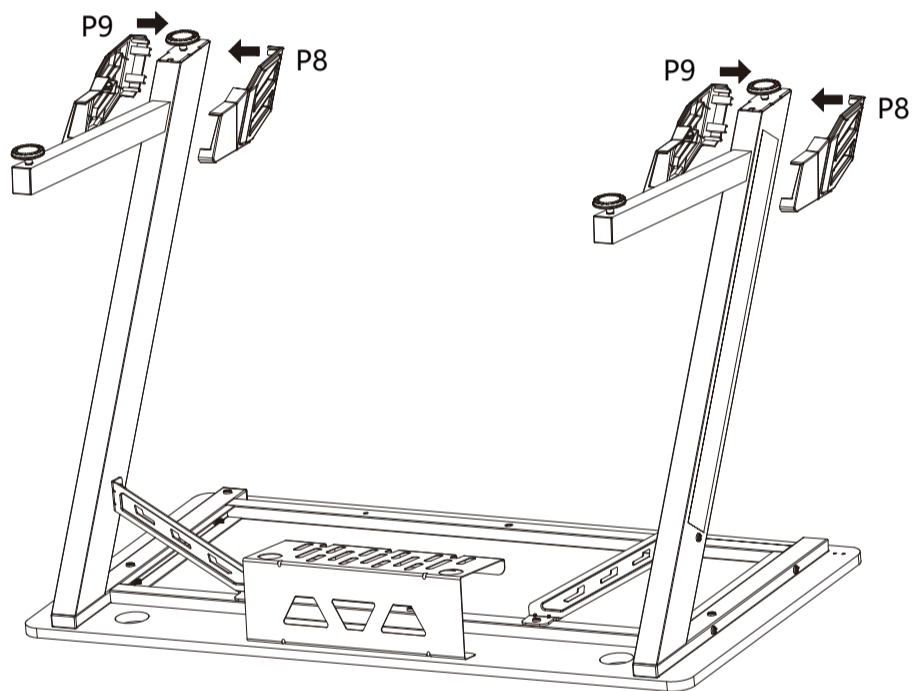


5

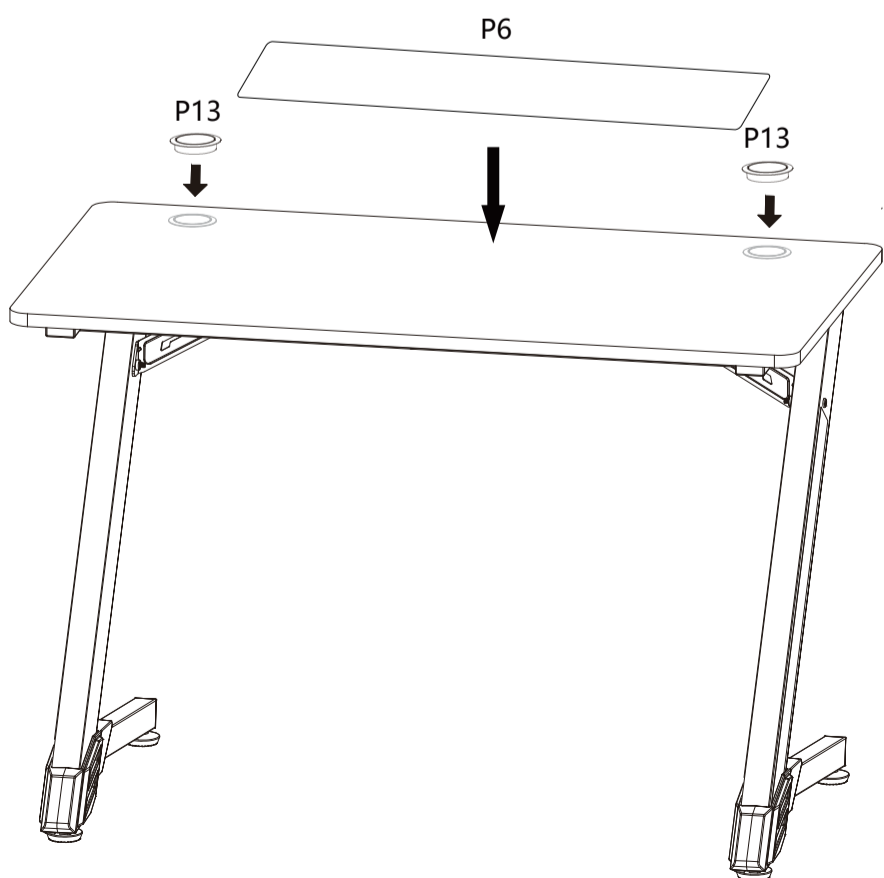
- ④ x 2



6



7



ACCESSORY

