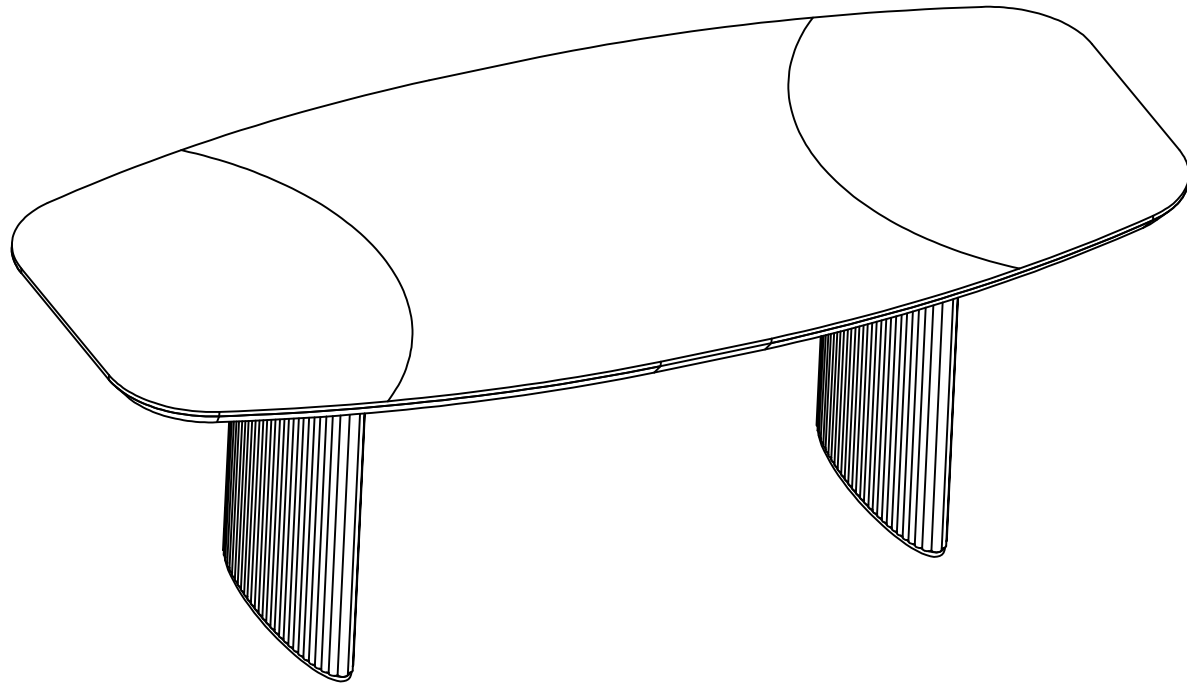
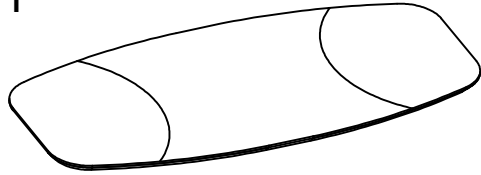


DT19

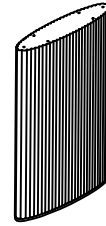


P1



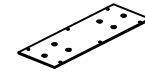
× 1

P2



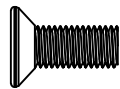
× 2

P3



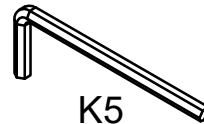
× 2

△A



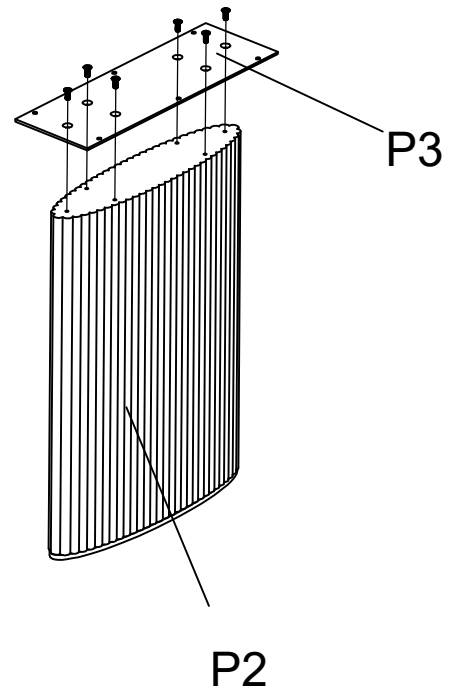
M8*20 × 24

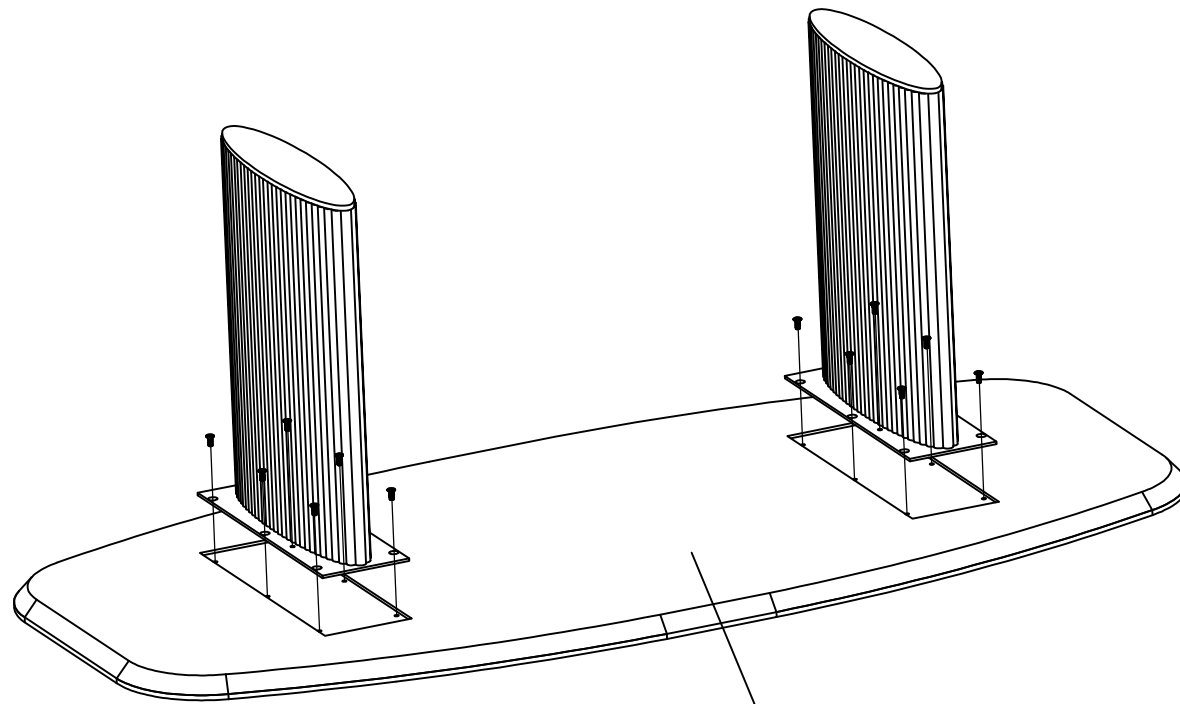
△B



K5 × 1

× 2





P1