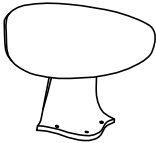

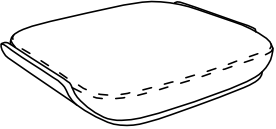

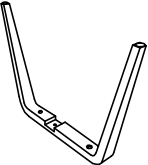


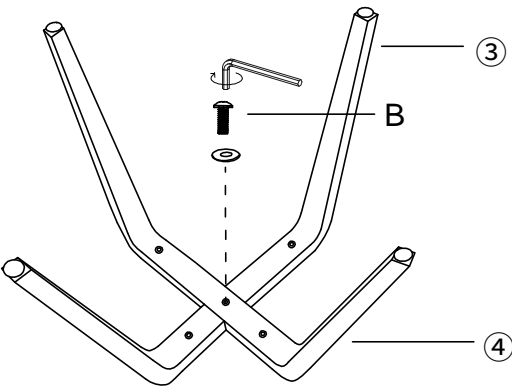


Assmebly Instruction

ERK-DC16-B

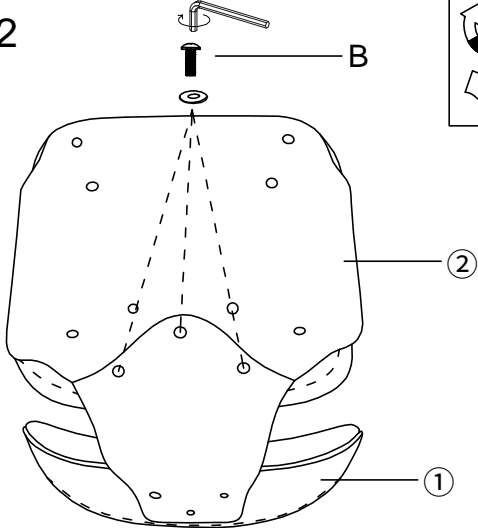
| | | | |
|---------------|---|-----------------|--|
| <p>①*1 pc</p> |  | <p>A*4+1EXT</p> |  M6*42MM+M6*16*1MM |
| <p>②*1 pc</p> |  | <p>B*4+1EXT</p> |  M6*27MM+M6*16*1MM |
| <p>③*1 pc</p> |  | <p>G*1</p> |  M6 |
| <p>④*1 pc</p> |  | | |

STEP 1



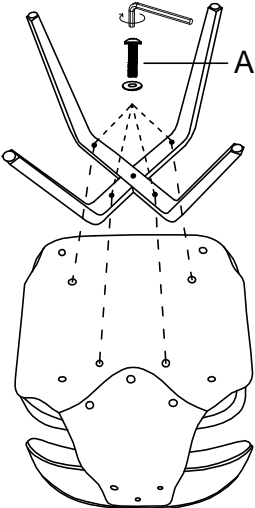
③
B
④

STEP 2

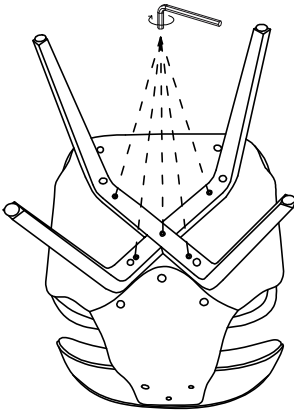


B
②
①

STEP 3



A
②



STEP 4

