



MODEL #

COD-003-GB-L-US

Questions?

GIVE US CALL: 1-844-416-2090
MON-FRI 8:30AM - 5:30PM (PT)
customerservice@eurekaergonomic.com

Precision Gaming Desk

ASSEMBLY INSTRUCTIONS

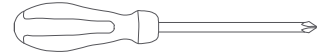
TOOLS REQUIRED



Allen Wrench K4
(Included)



Allen Wrench K5
(Included)



Screwdriver
(Included)



2 - People Recommended

ASSEMBLY RATING



EASY → DIFFICULT

Thank you for your purchase!

We hope you enjoy this new addition to your home for many years to come. This product has been crafted with today's lifestyles in mind.

Our commitment to providing quality products does not end after you have purchased our product. We fully stand behind our products from start to finish. Our customer service department is available Monday – Friday 8:00 AM – 5:00 PM Pacific Time to assist with any assembly questions. If necessary, we can also replace any damaged or missing parts. To help us resolve your issue as quickly as possible, please have these assembly instructions and your order receipt readily available.

The maximum recommended weight allowance is 220 lbs (100 kg) for top surface.

For non-US customers, please contact the seller or place of purchase for support.



CHECK BEFORE STARTING

Are you missing anything?

Double-check all parts, hardware and accessories listed on Page 5-6 are accounted for.

Check out our Quick Tips!

We recommend reviewing the pre-assembly handouts. Even experts need a refresher now and then!

Should we send any replacements?

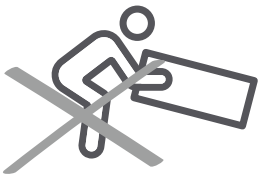
Are there any irregularities or flaws in the parts? We can send replacements!

Prep Time!

Please review the assembly instructions and all diagrams prior to assembling.

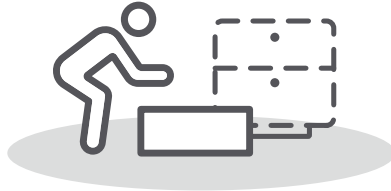
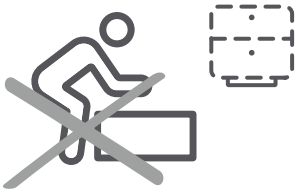
PRE ASSEMBLY INTRODUCTION

We understand building ready-to-assemble furniture can be a challenging experience for some. To help avoid confusion, we have provided some helpful tips that may speed up the process.



Teamwork

ALWAYS have at least two people when transporting and assembling the product to avoid potential injury and/or damage.



Suitable Location

Assembling near the area of the intended location is highly recommended.



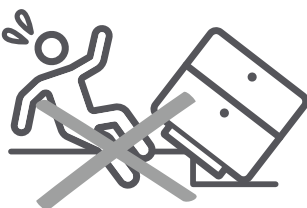
Sufficient Space

Make sure you have enough space to move around during the assembly.



Avoid Scratches

Use cardboard, blankets or a carpeted area while assembling furniture to prevent scratches.



Flat Surface

Make sure the furniture rests on a flat and level surface with each leg evenly touching the floor.

ASSEMBLY AND CARE ADVICE



FAILURE TO FOLLOW THE GUIDELINES BELOW MAY RESULT IN INJURY AND/OR PROPERTY DAMAGE.



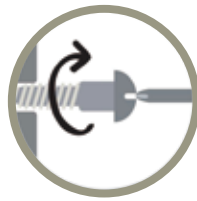
Position each part correctly and insert screws or bolts into their respective holes.



Save the instructions and store any supplied tools for later maintenance.



Use the appropriate hand tools or power tools for assembly. Select steps, such as tightening screws and/or bolts, may require hand tools to avoid causing damage during assembly.



Turn clockwise to tighten and only tighten when all assembly steps are completed.

CARE / MAINTENANCE

CARE AND MAINTENANCE

- Use a soft, clean cloth that will not scratch the surface when dusting.
- Using any kind of solvents on your furniture may damage the finish. Water and rubbing alcohol are safe to use.
- Always use coasters under beverage glasses and flowerpots.
- Liquid spills should be removed immediately, as it may damage the furniture. Use a soft, clean cloth blot the spill gently. Avoid rubbing.
- Do not place hot dishes or plates directly on the surface of the furniture. Heat can cause chemical changes that may create spotting within the furniture.
- Heavy objects placed on the desktop should be positioned to distribute the weight as evenly as possible to avoid tilting.
- If desk wobbles on flat floor, first check that all screws are tightened and adjust leveling feet. Then, check the floor is flat. If not, adjust the desk feet to appropriate levels.

IMPORTANT INSTRUCTIONS

When using electrical appliances, basic precautions should always be followed to reduce the risk of fire, electrical shock and injury to persons including the following:

 **WARNING:**

Make sure the unit is turned off and unplugged before cleaning.

Do not connect the power supply to a household power outlet with wet hands, as it may cause fire, electric shock or injury to the person.

Do not operate this unit if the cord or plug is damaged, after a malfunction or if it has been dropped or damaged in any manner.

For indoor use only.

GAMING DESK

COD-003-GB-L-US

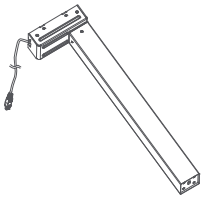


Please keep instructions for future reference.

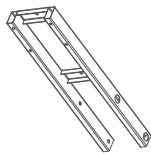
Check the quantity and irregularity of parts and hardware before you start.



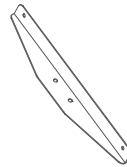
PARTS



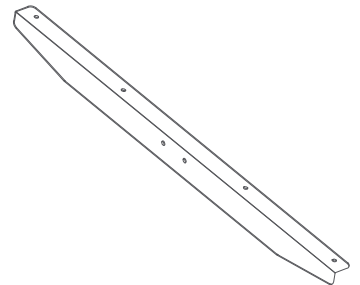
(P1)X2



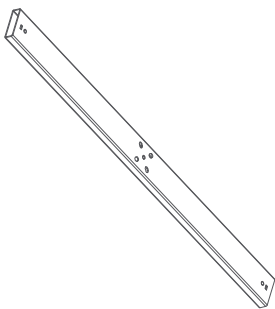
(P2)X2



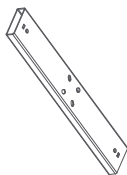
(P3)X1



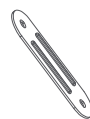
(P4)X1



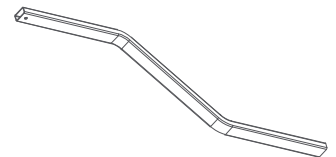
(P5)X1



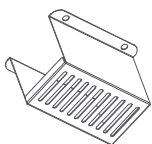
(P6)X1



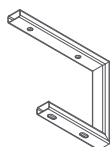
(P7)X3



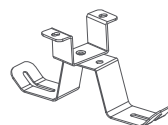
(P8)X2



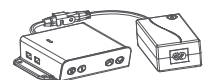
(P9)X1



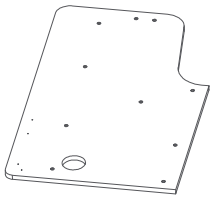
(P10)X2



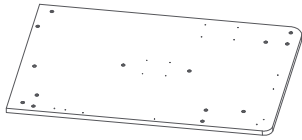
(P11)X1



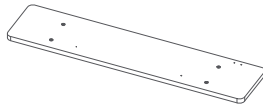
(P12)X1



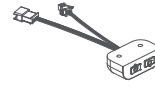
(P13)X1



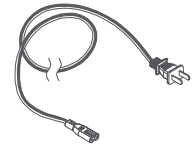
(P14)X1



(P15)X1



(P16)X1



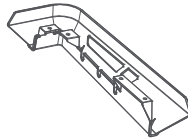
(P17)X1



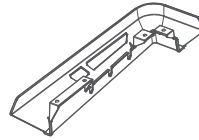
(P18)X1



(P19)X1



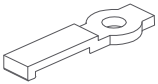
(P20)X1



(P21)X1



(P22)X5



(P23)X2



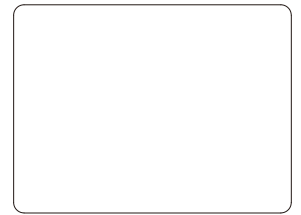
(P24)X5



(P25)X4

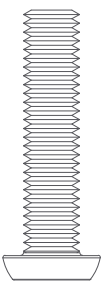


(P26)X1



(P27)X1

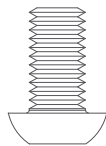
HARDWARE



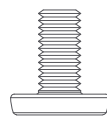
(1)X8



(2)X8



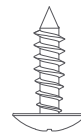
(3)X20



(4)X18



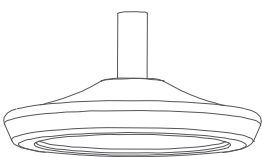
(5)X2



(6)X16



(7)X2



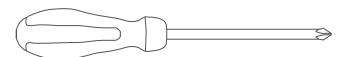
(8)X5



K5
(9)X1



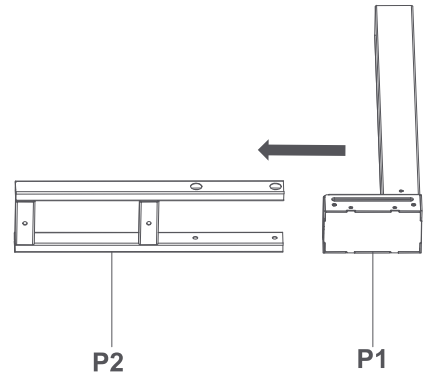
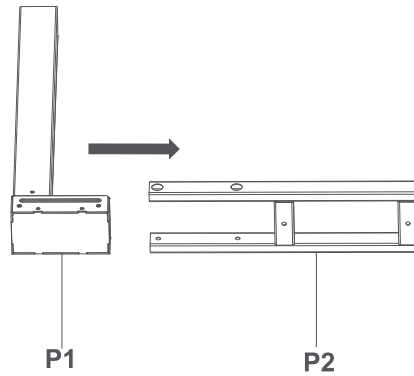
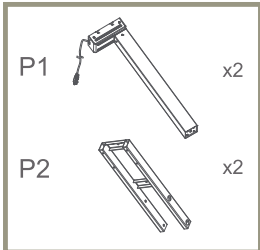
K4
(10)X1



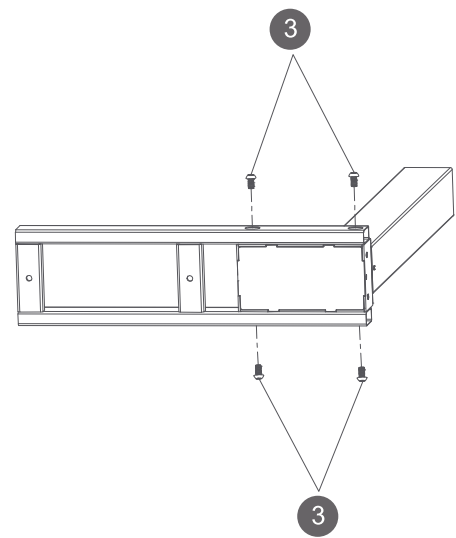
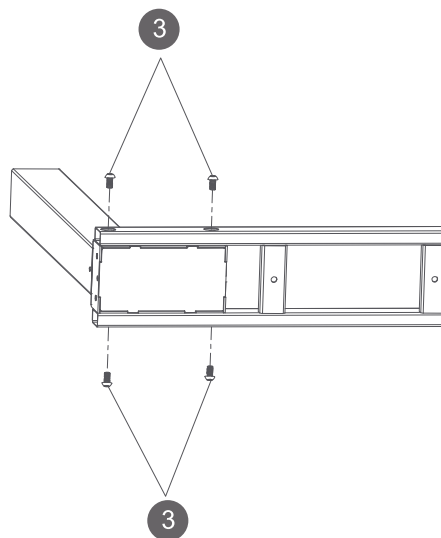
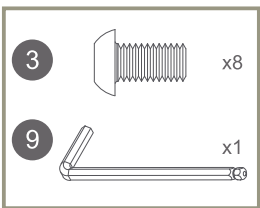
(11)X1

ASSEMBLY INSTRUCTIONS

1

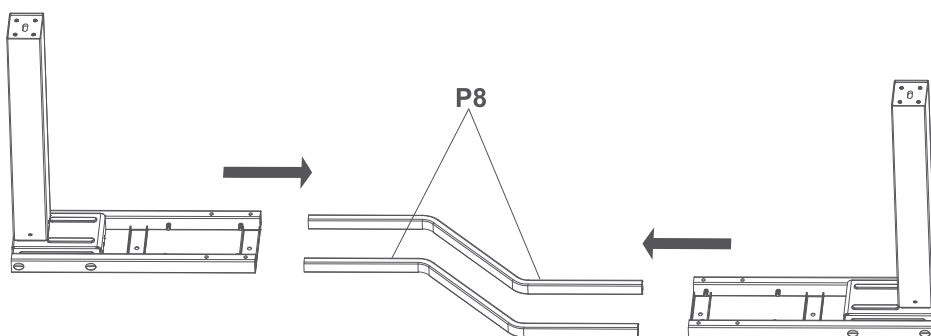
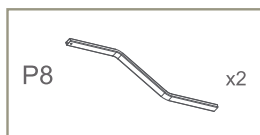


2

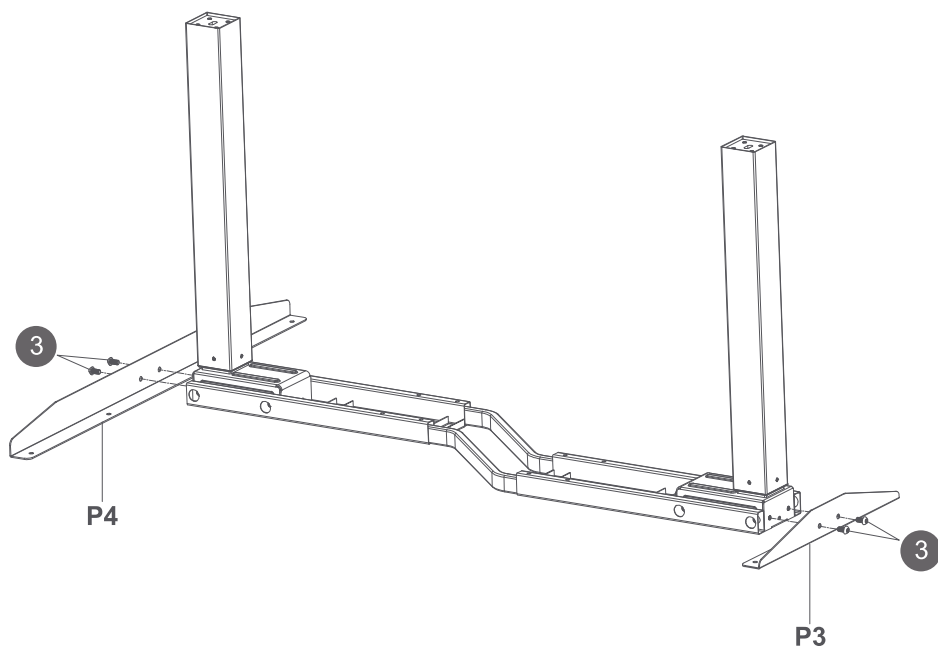
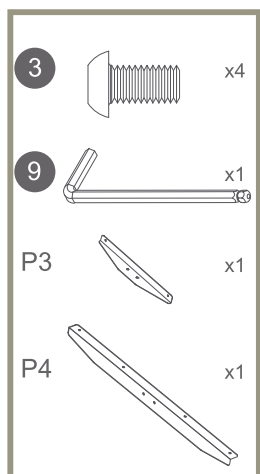


ASSEMBLY INSTRUCTIONS

3

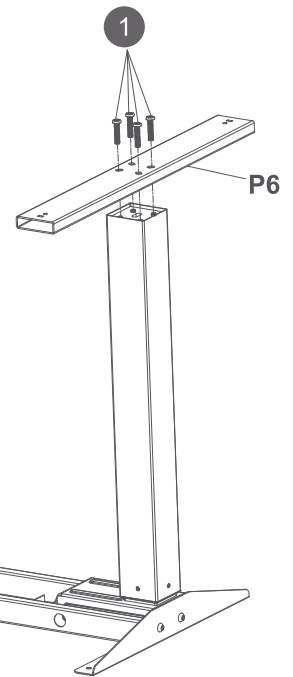
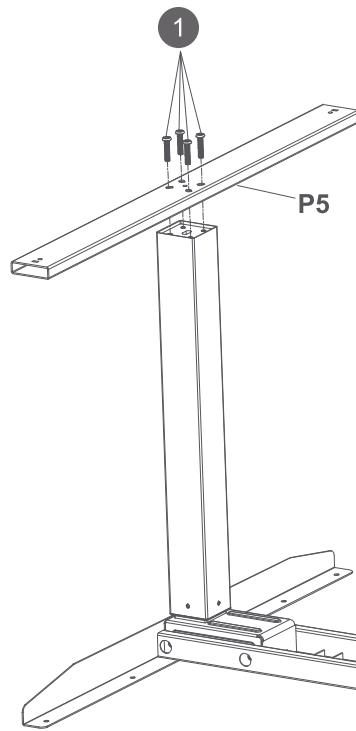
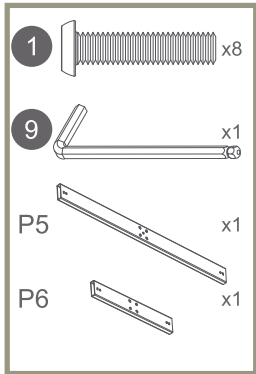


4

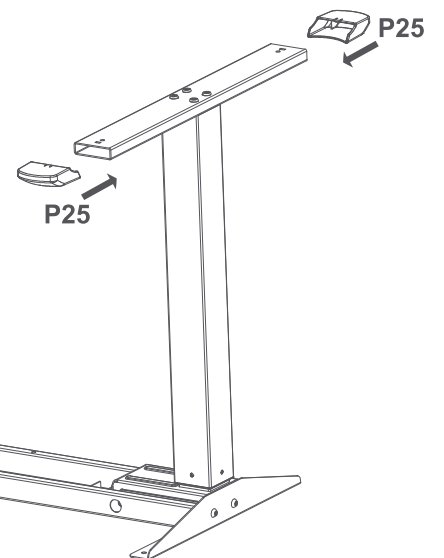
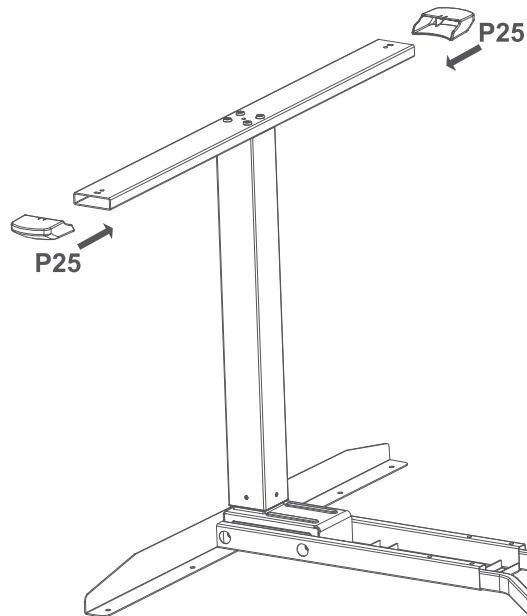


ASSEMBLY INSTRUCTIONS

5

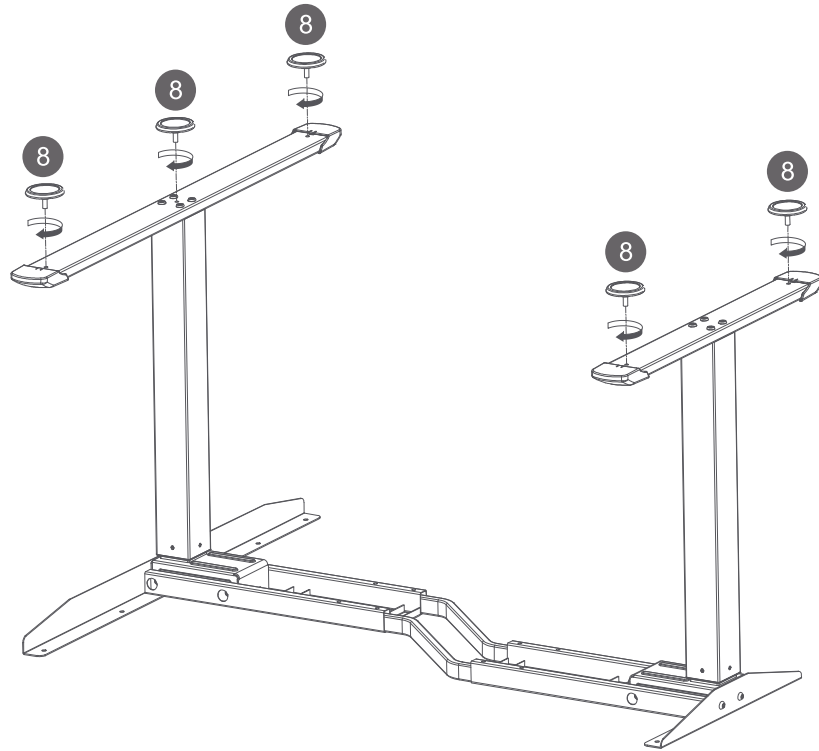
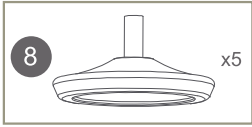


6

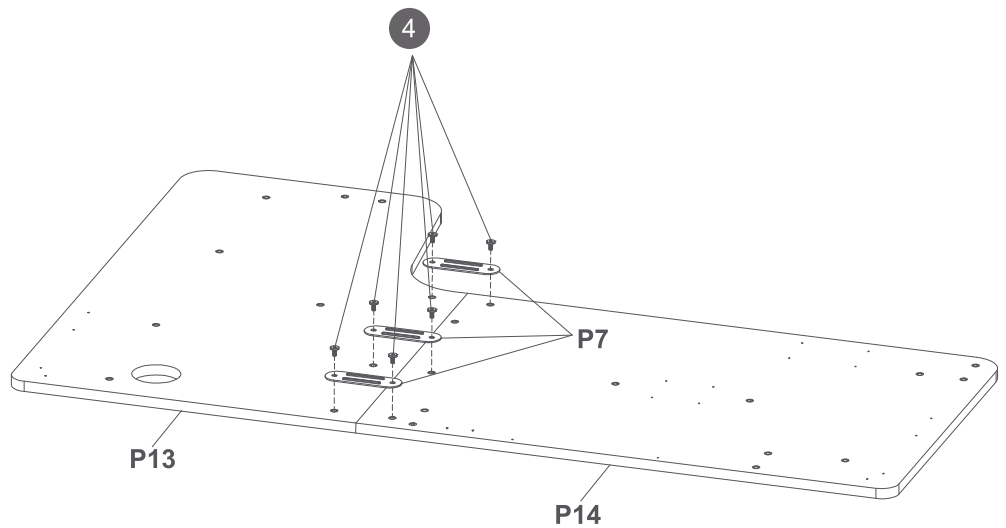
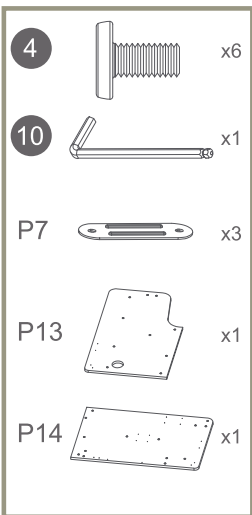


ASSEMBLY INSTRUCTIONS

7

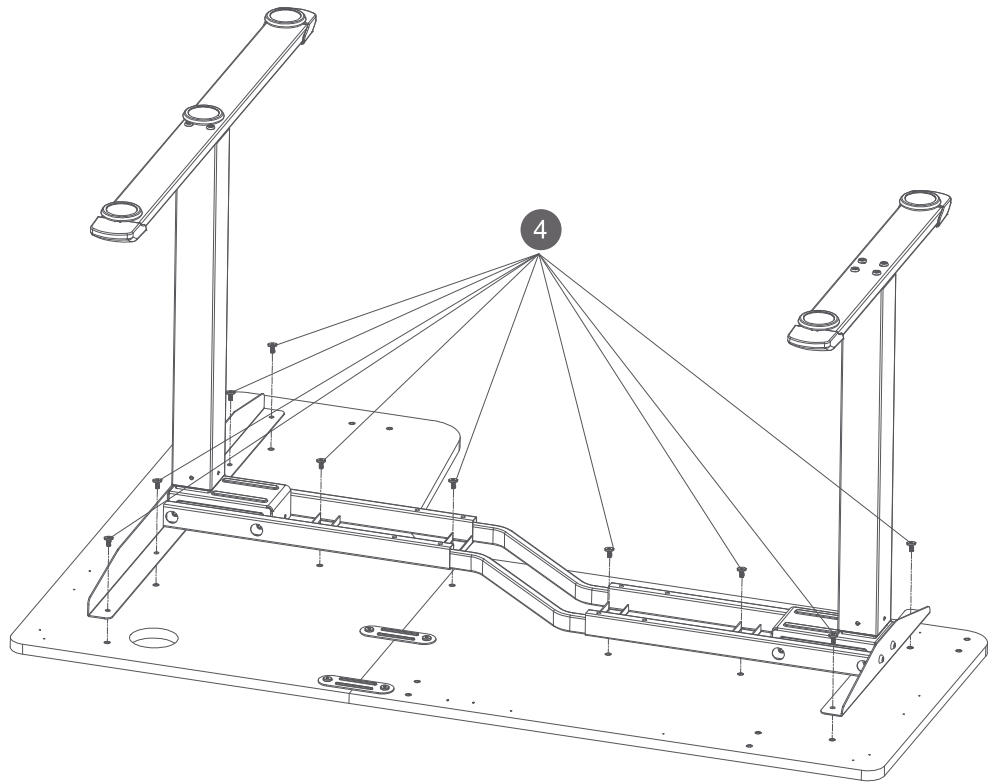
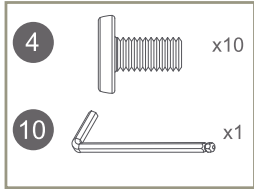


8

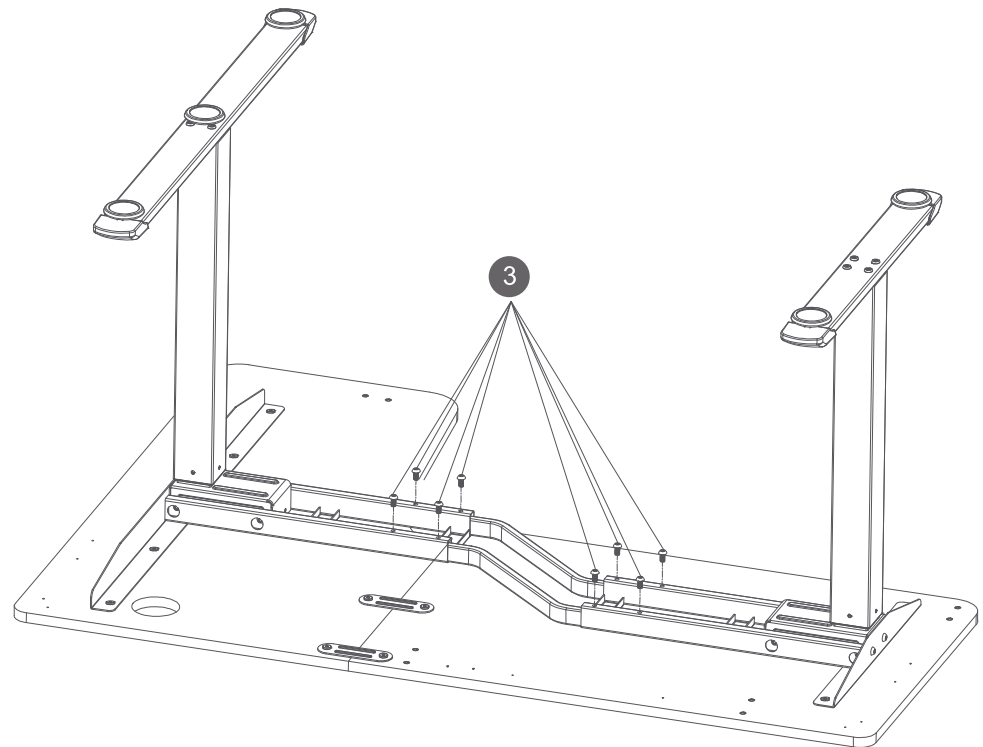
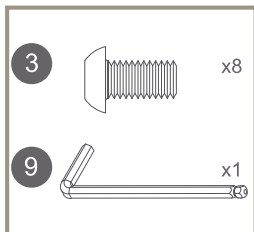


ASSEMBLY INSTRUCTIONS

9

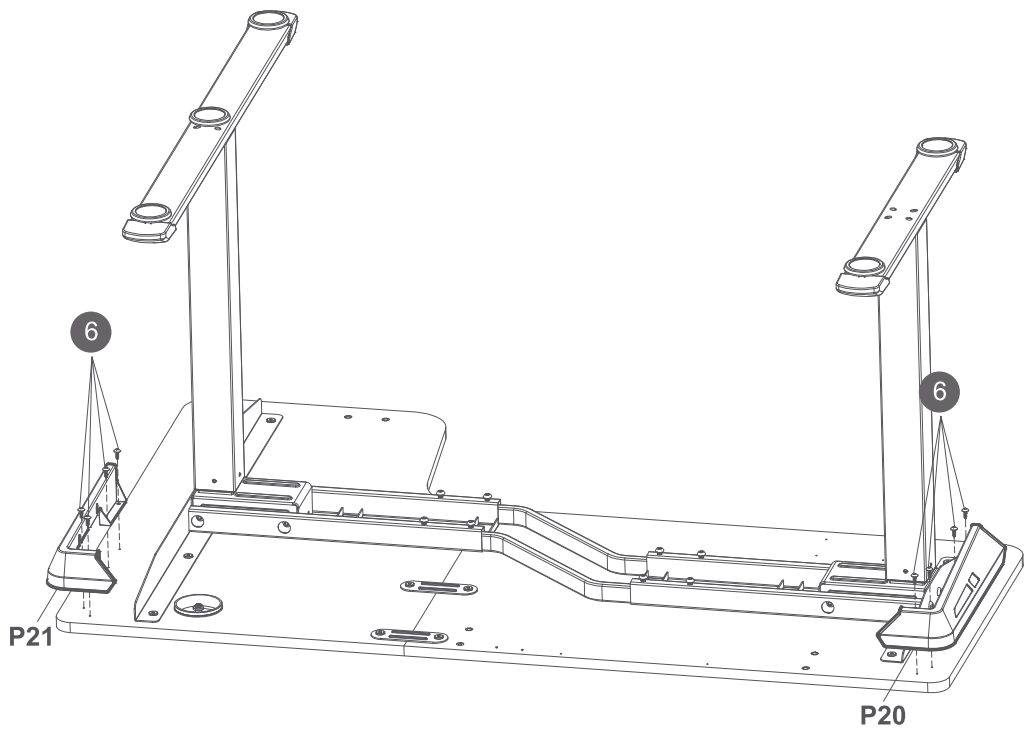
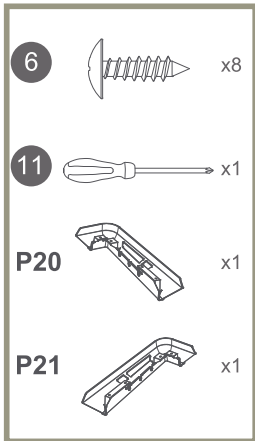


10

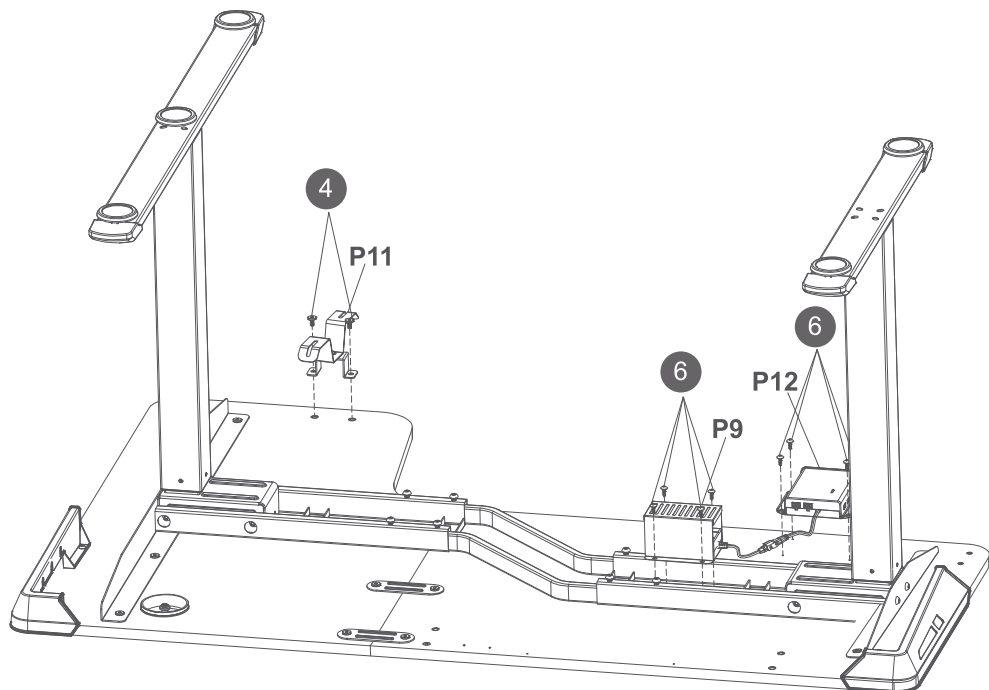
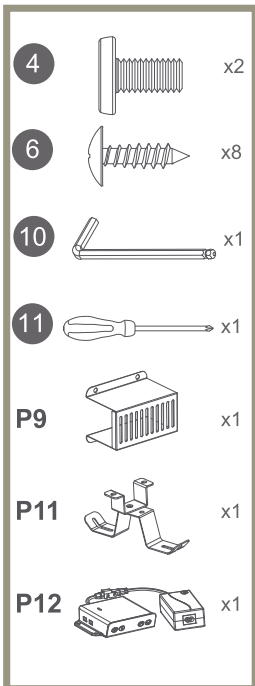


ASSEMBLY INSTRUCTIONS

11

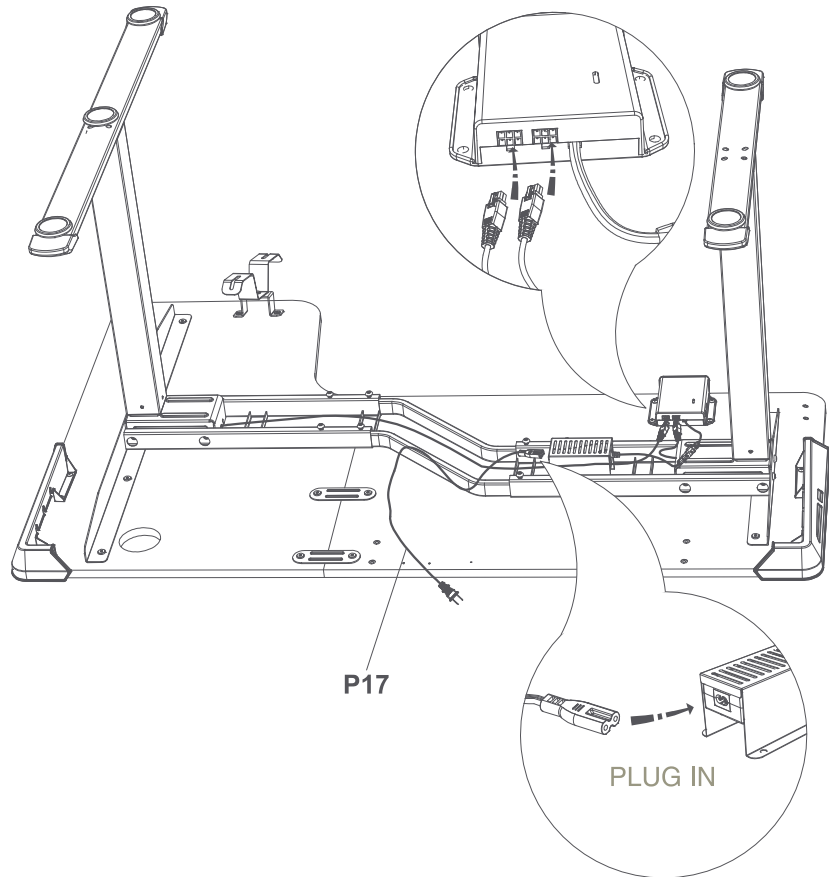
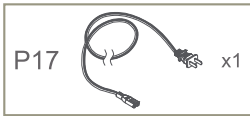


12

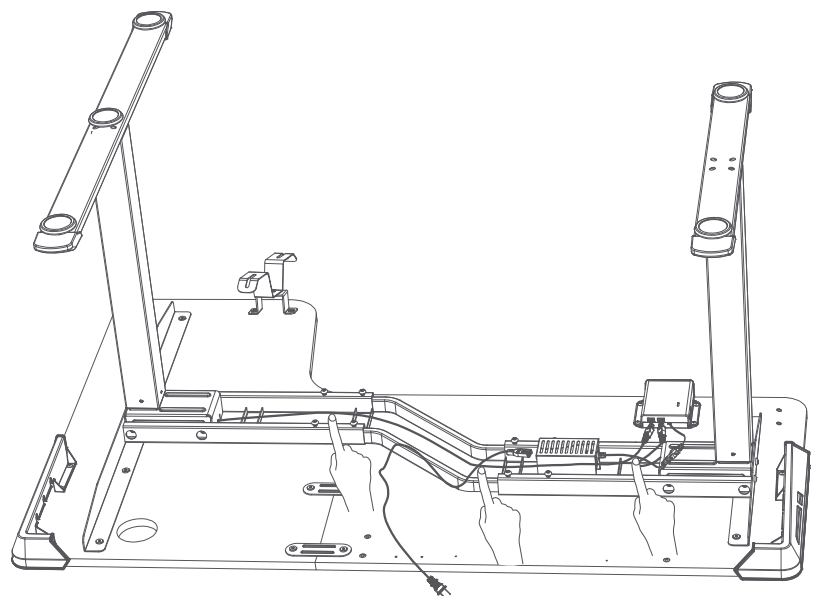
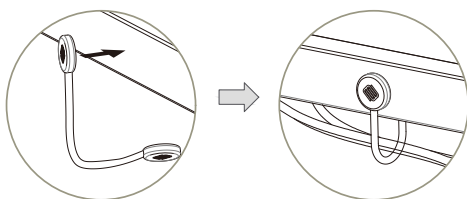
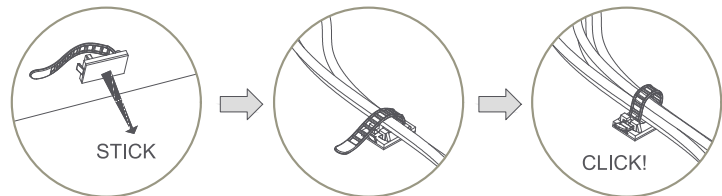
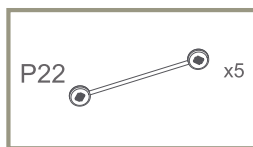


ASSEMBLY INSTRUCTIONS

13

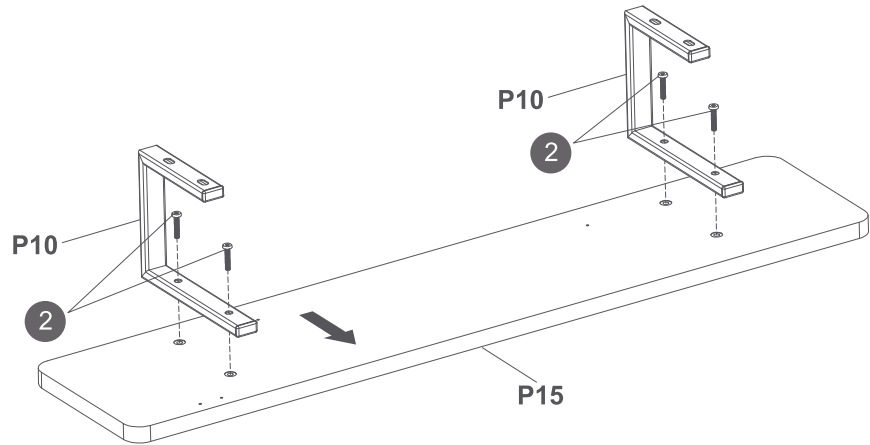
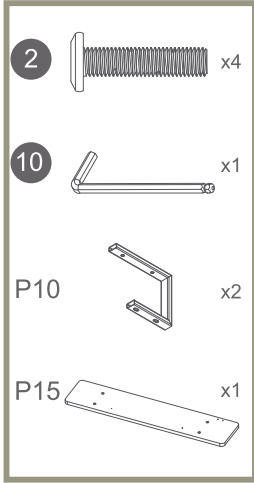


14

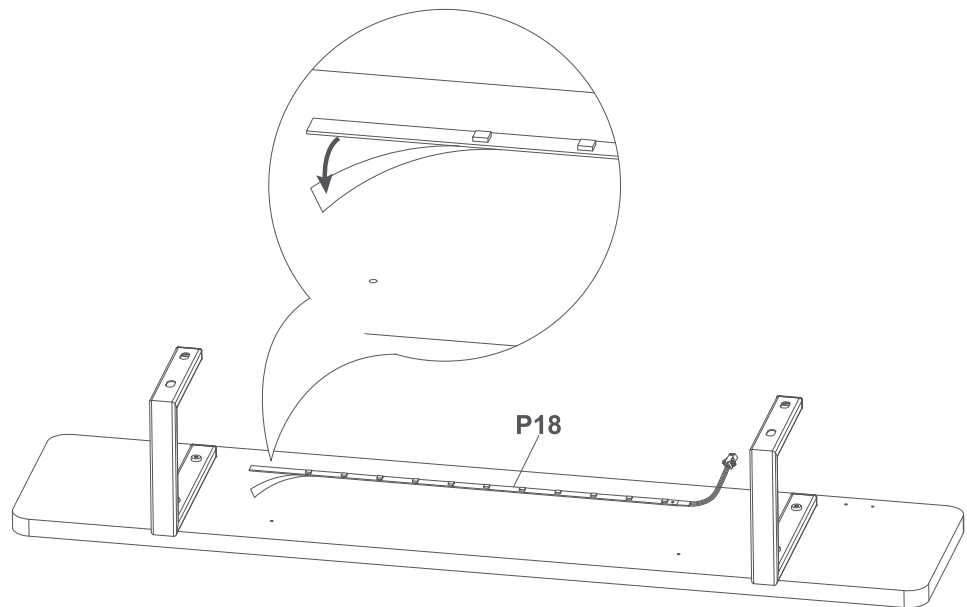
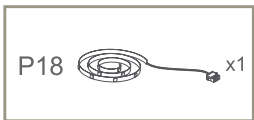


ASSEMBLY INSTRUCTIONS

15

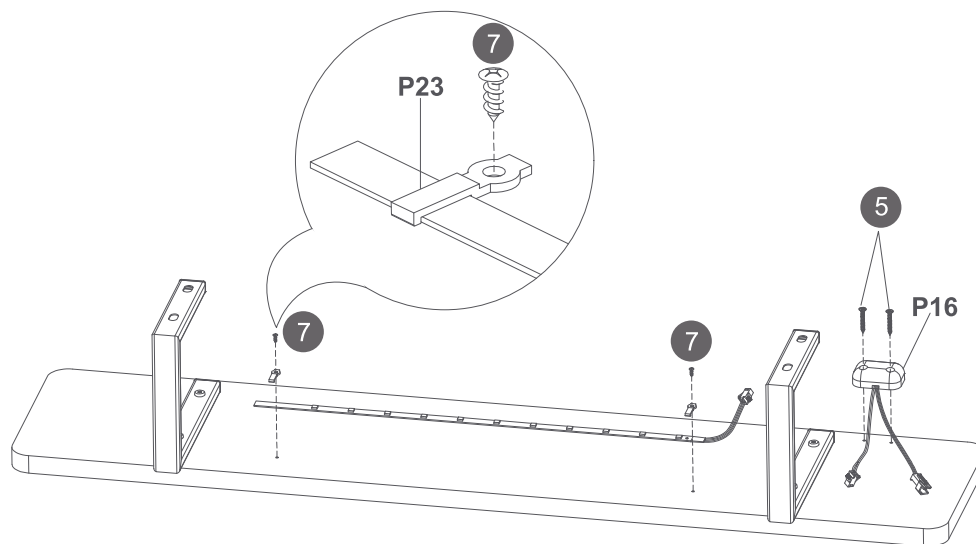
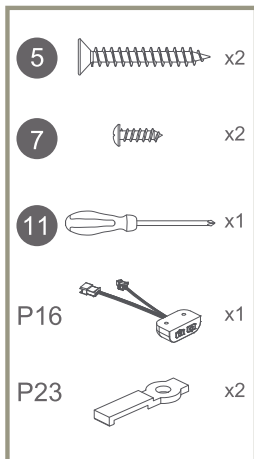


16

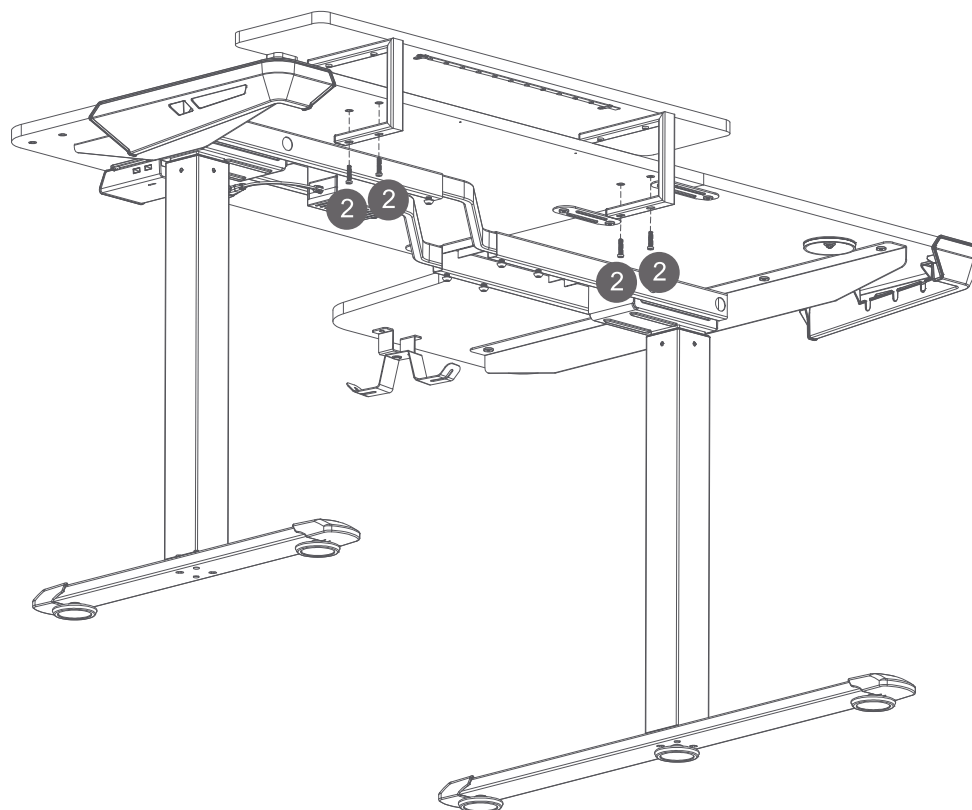
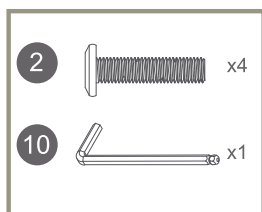


ASSEMBLY INSTRUCTIONS

17

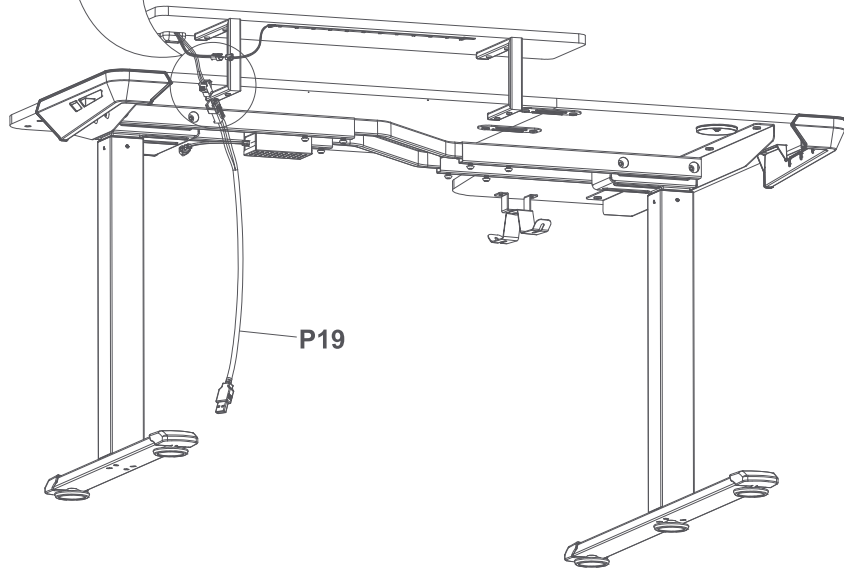
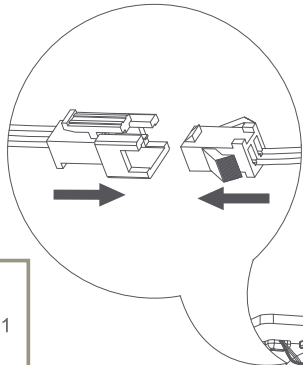


18

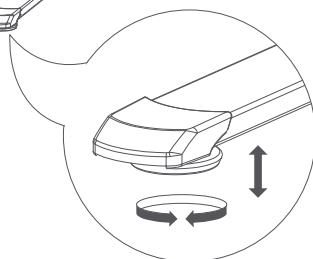
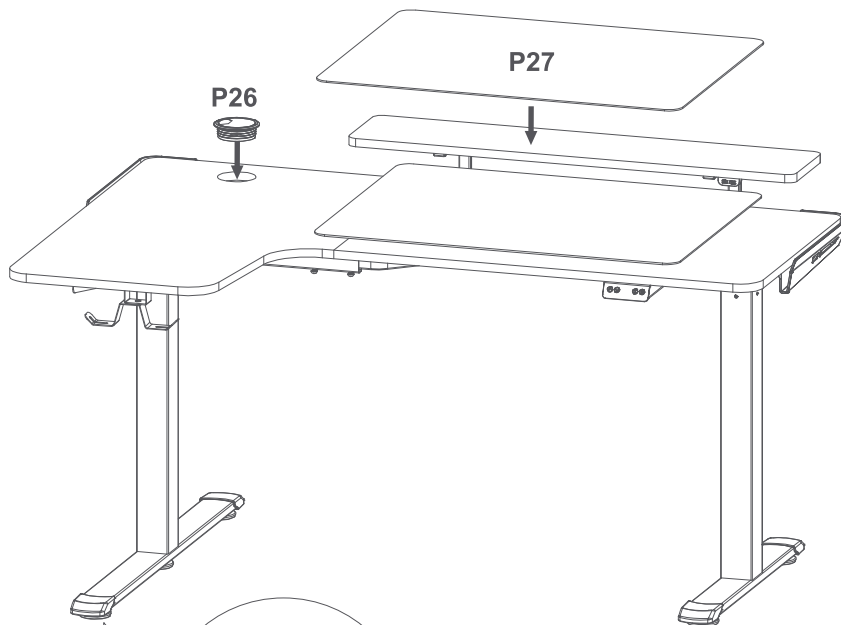
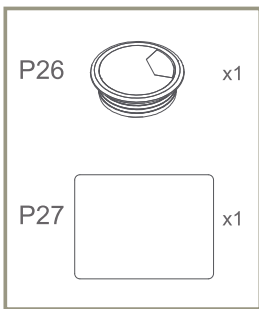


ASSEMBLY INSTRUCTIONS

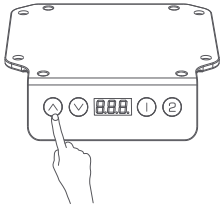
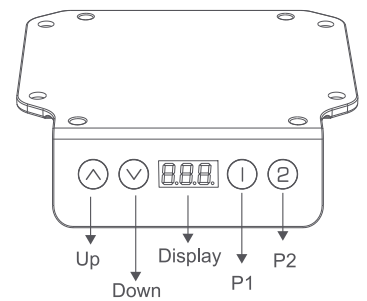
19



20

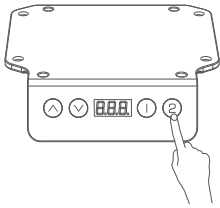


OPERATION INSTRUCTIONS



Up / Down Button

Press the \wedge to raise the desk, when you release the button it will stop. Press the \vee to lower the desk, when you release the button it will stop. When pressing the \wedge / \vee , the desk travels a very short distance, so that users can fine-tune the desk height according to preference.

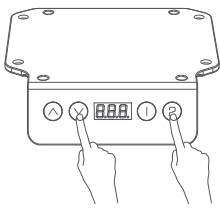


Desktop Height Memory Setting

POSITION SETTING: Can set up two memories. Adjust the desktop to the appropriate height with \wedge or \vee buttons. And then press "1 or 2" button, about 4 seconds until the display flashes "S -1 or S-2", indicating that memory setting is successful.

LOCATION QUERY: In the run mode, press any of the 1 / 2 keys to flash the height of the key memory.

POSITION REACHING: In the run mode, when the desktop stops, press any of the 1 / 2 keys twice to adjust to the desktop height of the key memory. When desktop is moving, pressing any button can stop it.



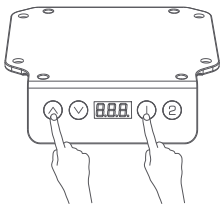
The Lowest Height Position Setting

POSITION SETTING: Please adjust the desktop to the appropriate height; and then hold both "2" and " \vee " button for 5 seconds; when the display appears "- d o", the lowest height is memorized successfully. Once the desktop is dropped to its lowest height position, the display shows "- L o".

POSITION CANCELLATION:

Option 1 - Refer to the initial setting process.

Option 2 - Adjust the desktop to the lowest height where the display shows "- L o", hold both "2" and the down button for 5 seconds; at this time, the display will show "- d o" indicating the set lowest height position has been successfully canceled.



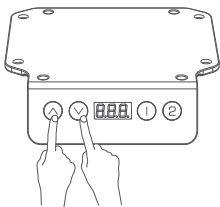
The Highest Height Position Setting

POSITION SETTING: Please adjust the desktop to the appropriate height; and then hold both "1" and the up button for 5 seconds; when the display appears "- u p", the highest height is memorized successfully. Once the desktop is raised to its highest height position, the display shows "- h l".

POSITION CANCELLATION:

Option 1 - Refer to the initial setting process.

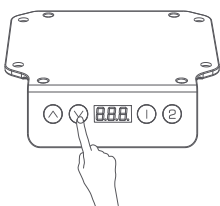
Option 2 - Adjust the desktop to the highest height where the display shows "- h l", hold both "1" and the up button for 5 seconds; at this time, the display will show "- u p" indicating the set highest height position has been successfully canceled..



Initial Settings

(Under normal state, can be operated at any time; Or replace the controller for the first time)

Press and hold both the \wedge and \vee until the display appears " - - - ", release the keys, then the tabletop will automatically move up and down. When the top stop moving, the initial setting process succeeds.



Restore Factory Settings

When the display appears error code "rST" or "E16", press and hold the " \vee " button for 5 seconds until the display flashes " - - - "; release the key, then the adjustable desk legs will automatically move down to its mechanical lowest point, and move up and stop at a factory-preset position. Finally, the desk can work normally.

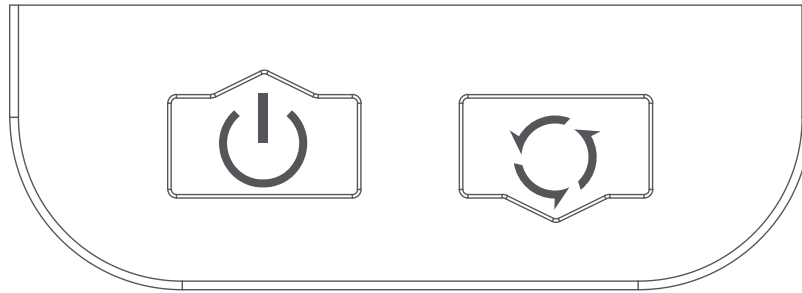
AUTOMATED EXERCISE REMINDER

Once the desktop stays at a same height position over 45 mins, the display shows “Chr”.

The flash of “Chr” will disappear when you press any of button or after 1 minute without any operation. The reminder will work for 3 times in a row.


COMMON ERROR CODE (PROBLEM DESCRIPTION AND SOLUTION)


E01、 E02	connection between desk legs and control box is loose	<p>1. press UP or DOWN button, if still display E1 OR E2, check all of plugs and wires . Check whether motors fail connected with control unit , please connect the main cable again .</p> <p>2. after operation 1 is not work, then switch the motor plug line, if the error code remains, it is the control box breaking down.</p> <p>If the error code changes after switch, that is the desk legs problem (for example, the error code is E01 , after switching the motor line remains E01 , then control box breaks down. If it changes into E02, then it is desk legs fault.)</p>
E03、 E04	desk leg(s) is overloaded or motor fault	<p>Remove the load on desktop till It less than 180 lbs for future operation , switch the motor plug line, if the error code remains, it is the control box breaking down.</p> <p>If the error code changes after switch, the it is the desk legs problem (for example, the error code is E03, after switching the motor line remains E03, then control box breaks down. If it changes into E04, then it is desk legs fault.)</p>
E05、 E06	sensor abnormal in the desk leg(s)	<p>1. Re-press UP or DOWN button, if still display E5 OR E6, please check the plug wire of the table leg.</p> <p>2. after operation 1 is not work, then switch the motor plug line, if the error code remains, it is the control box breaking down.</p> <p>If the error code changes after switch, the it is the desk legs problem (for example, the error code is E05, after switching the motor line remains E05, then control box breaks down. If changes into E06, then it is desk legs fault.)</p>
E07	power abnormal of the control box	<p>Remove the main cable (10s) ,Then connect main cable again .if the error code still remains after power to reboot, replace the control box</p>
E08、 E09	desk leg(s) break down	<p>if the error code still remains after power to reboot, replace the control box</p>
E10、 E11	controller failure	<p>if the error code still remains after power to reboot, replace the control box</p>
E12	desk leg(s) malposition	<p>press up & down button at the same time until display "---", then release button and refer to the initial setting process</p>
E13	thermal shutdown protection	<p>Make the desk rest around 20 mins for furniture operation , let the temperature drop.</p>
E14、 E15	desk leg(s) is stuck or not work properly	<p>switch the motor plug line, if the error code remains, it is the control box breaking down.</p> <p>If the error code changes after switch, the it is the desk legs problem (for example, the error code is E14, after switching the motor line remains , then control box breaks down. If it changes into E15, then it is desk legs fault.)</p>
E16	desk leg(s) unbalanced	<p>press down button until display "---"(10s) , then release button and refer to the initial setting process</p>
RST	abnormal power down	<p>press down button until display "---", then release button and refer to the factory initial setting process</p>
light of control box isn't working	power abnormal of the control box	<p>check all of plugs and wires . Check whether motors fail connected with control unit , please connect the main cable again .If the light isn't working .replace the control box .</p>



MAIN TECHNICAL PARAMETERS					
Parameters	Min	Normal	Max	Test Condition	Unit
Rated voltage(DC)	4.45	5	5.20		V
Rated power		2.25			W
Maximum power		2.50			W
Maximum current		450			mA
Environment temperature	-20		60		°C

FUNCTION

Changing Lighting Modes: Make sure the desk light is on, then press the right button "  " to change modes. There are total 14 lighting modes.

2. Switching On/Off Lights: Press the button "  " for 3-4 seconds then the light will be off. If want to switch on the light, just repeat the operation.

3. Memorizing Lighting Mode: When the light is off, the last lighting mode will be memorized automatically by system. The next time when the light is switched on, it will go into the memorized mode automatically.

TROUBLE SHOOTING

1. When the light flashes unexpectedly, please try to reboot it (turn it off and then on). If a reboot doesn't work, please check if the adapter work normally.

2. If the light isn't on, please check if the power is on, or all the cables are connected correctly and tightly.

ASSEMBLY COMPLETED



Please ensure the furniture rests on an even and Flat surface. If desk wobbles, another step that needs to be included with troubleshooting the wobbling is to adjust the feet.



Keep this handy!

Please retain this instruction manual and any order-related information for future reference.



Lift, don't drag!

To avoid damage to product when transporting, please lift instead of dragging the product.