

Installation Instructions

Roof Racks



Tools Needed:

Supplied Allen wrench



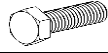




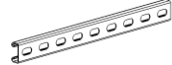
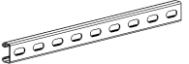
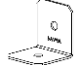

9/16" Socket wrench



9/16" wrench

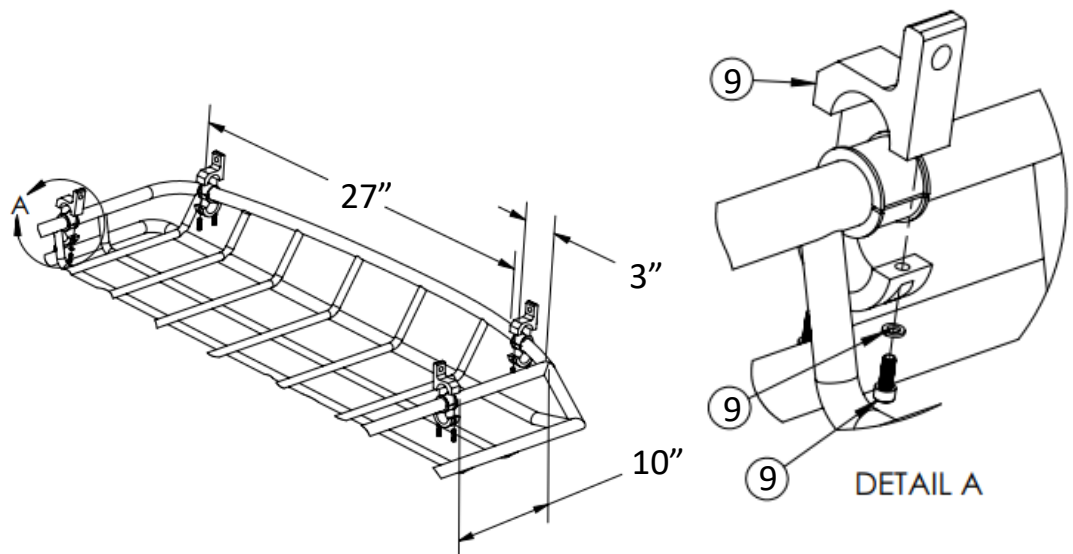


Supplied Parts List:

Assembly #	Name	QTY	
1	3/8"x1.25" Bolt	4	
2	3/8"x1.00" Bolt	6	
3	3/8" Nyloc Nut	10	
4	3/8" Washer	8	
5	3/8" Fender Washer	12	
6	18" Member	4	
7	36" Member	1	
8	90° Bracket	2	
9	Bar Clamp Mount W/hardware	4	

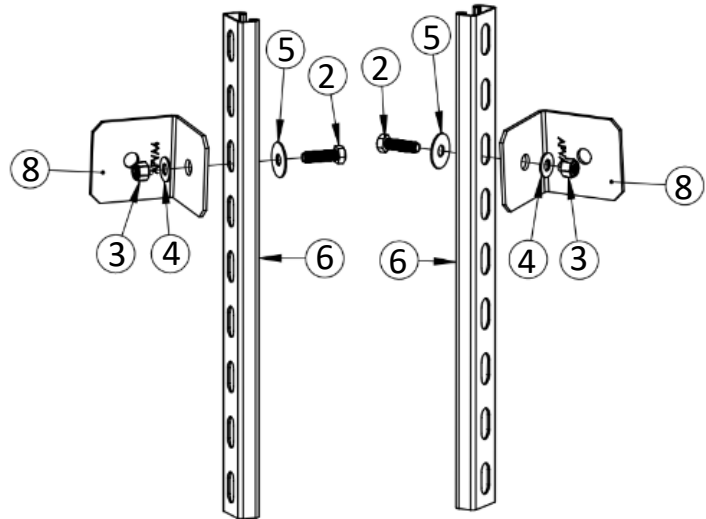
STEP 1:

Mount the Bar Clamp Mounts to the basket frame at the approximate positions and in the orientation shown. Screw bolts all the way down but do not fully tighten.



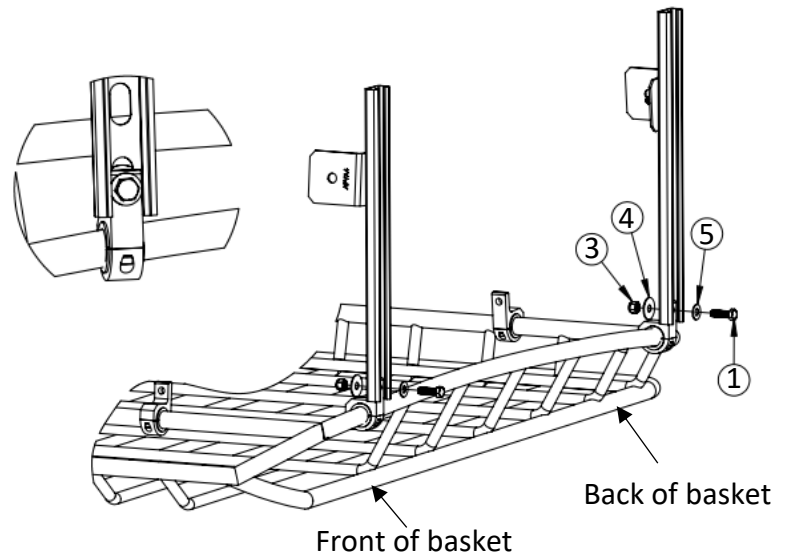
STEP 2:

Mount the 90° brackets to the 18" Vertical Members at the bottom arc of the 7th slot up as shown. Screw bolts all the way down but do not fully tighten.



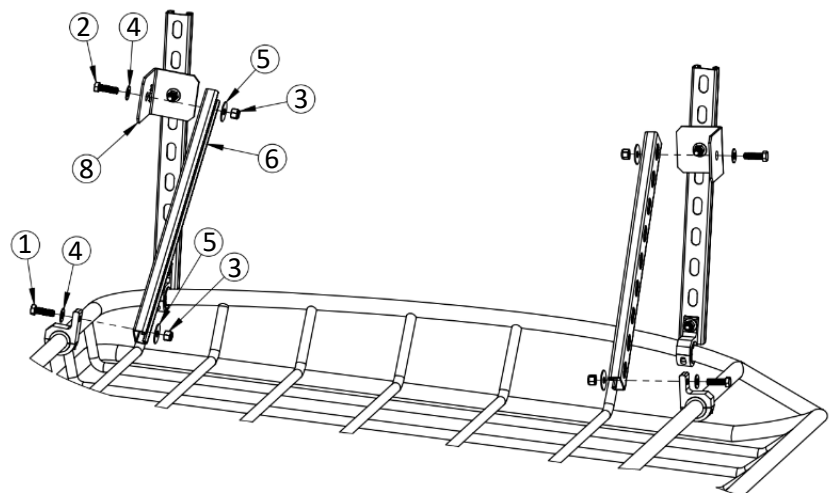
STEP 3:

Using the bottom slots, mount the 18" vertical members with 90° brackets to the Bar Clamp Mounts with the open side of 18" member facing out. Observe the placement of the bar clamp mount inside the member. Screw bolts all the way down but do not fully tighten.



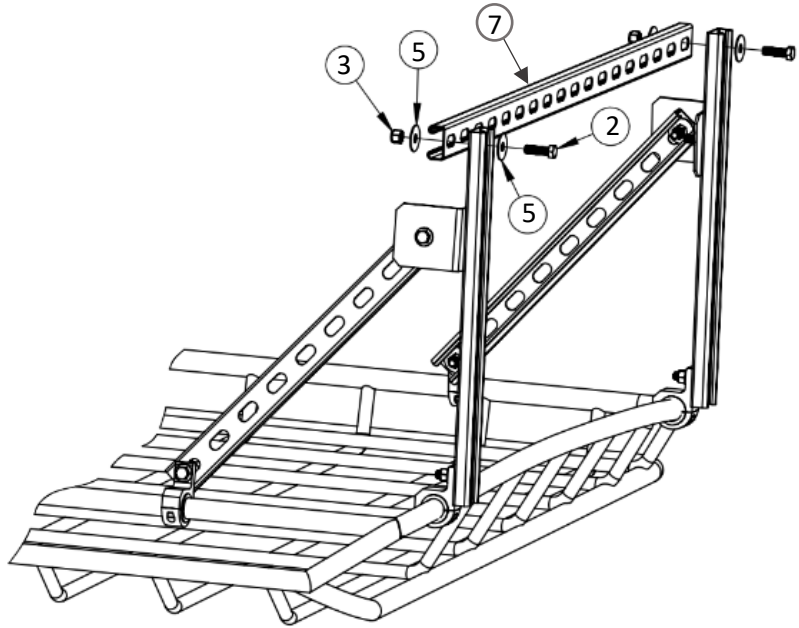
STEP 4:

Mount the flat side of the 18" angled member to the tube clamp and the 90° Bracket using the outermost arcs of the outermost slots. Observe the placement of the washers. Screw bolts all the way down but do not fully tighten. Ensure the mating surfaces are flat against each other and adjust if necessary.



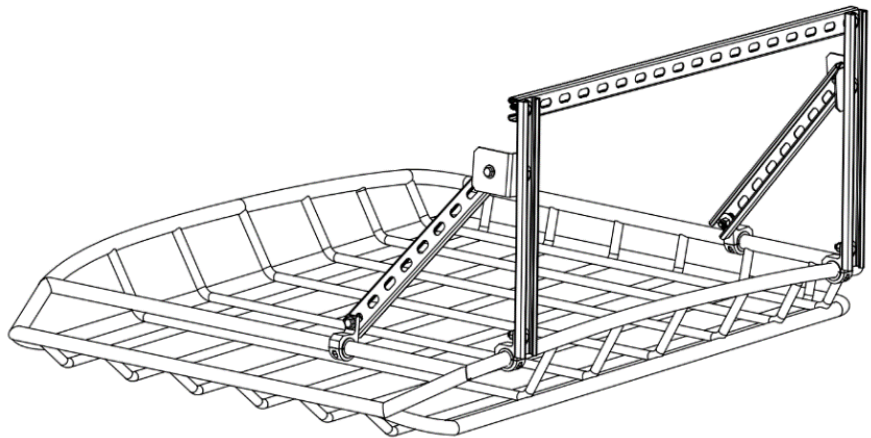
STEP 5:

Mount the 36" member to the top of the 18" vertical members in the orientation shown and using the outermost arcs of the outermost slots. Ensure the mating surfaces are flat against each other and adjust if necessary. Screw bolts all the way down but do not fully tighten.



STEP 6:

Visually inspect to make sure the two 18" vertical members are aligned and parallel and that all flat mating surfaces are in full contact. Adjust if necessary.



STEP 7:

Thoroughly tighten down all the nuts and bolts on the Bar Clamps, Members, and Brackets. Do not fail to tighten down any bolt or screw.



WARNING! Failure to properly tighten down all nuts and bolts could result in damage to the product, equipment, and vehicle as well as injury or even death to persons.

Helpful Tip: For quick removal and reinstallation during the off season or in between trips simply remove the 4 nuts, bolts, and washers from the bar clamps and mindfully store in a convenient location. Be sure to put the hardware in a bag and secure them to the rack so they don't get lost!

