

Installation Instructions

Fishing Pole Wall Racks



Tools Needed:

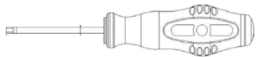
Tape Measure



Pencil



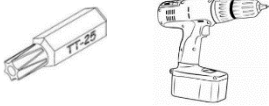
T-25 Screwdriver



Level



Drill



Philips head screwdriver



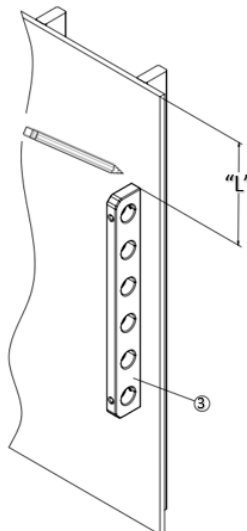
Supplied Parts List:

Assembly #	Name	QTY	
1	#10 x 3" Deck screw	4	
2	Wall Rack - Left	1	
3	Wall Rack - Right	1	
4	Drywall Anchor	4	
5	SS Flat head screw	12	
6	SS Washer	12	
7	Threaded barrel	6	
8	Rubber Rod Retainer	6	

WARNING! We strongly recommend using hand tools when fully tightening down the #10 deck screws to avoid any damage to the wood Wall Rack.

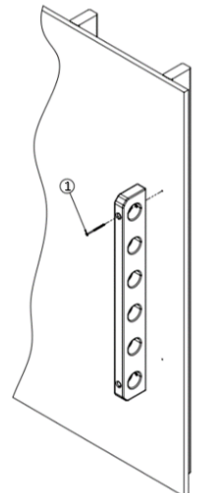
Step 1:

Determine the height at which you want the wall rack to be mounted. Either find a stud in the wall or mark the location where the drywall anchor will go with a pencil. If using a drywall anchor, pre-drill the holes and insert the anchor.



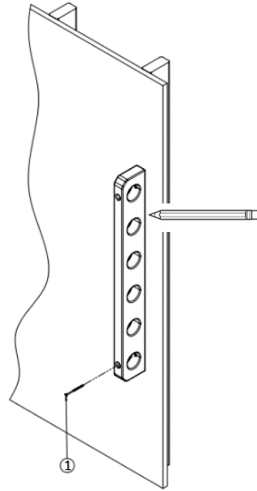
Step 2:

Begin securing the rack to the wall by screwing one of the #10 screws through the top hole and into the stud or drywall anchor. Only screw down enough to hold the rack in place but leave loose enough so that the rack can still rotate.



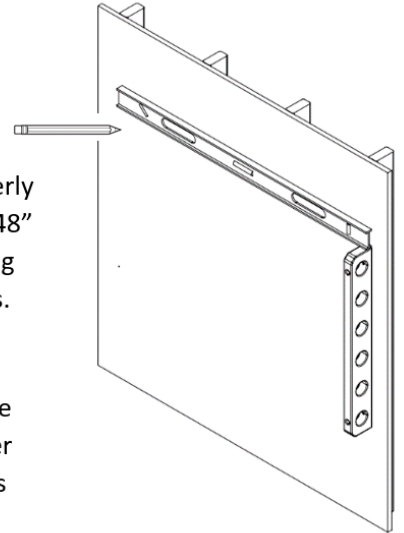
Step 3:

Place a level on the side of the wall rack to ensure it is perfectly vertical and mark a placeholder line along the edge. Hold the Wall Rack in line with the marking and screw in the bottom screw. Use hand tool to fully tighten down both screws to avoid overtightening and damage to the wall rack.



Step 4:

Use a long level or straight edge to mark the position where the top of the 2nd Wall Rack needs to be in order for them to be properly aligned. Spacing of 36" or 48" is recommended depending on the length of your poles.

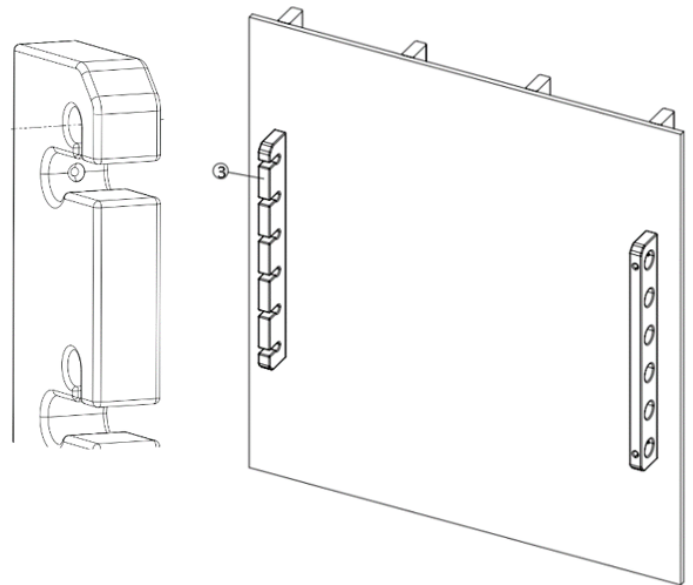


Helpful tip:

In most cases wall studs are spaced 16" apart. For larger fishing poles, 48" spacing is recommended.

Step 5:

Mount the Wall Rack – Left by repeating steps 2 and 3. Note that the Rack should be mounted in the orientation shown with the Rubber Rod Retainer holes on top.



Step 6:

Slide the Rubber Rod Retainer assembly in the opening as shown in the drawing. Screw the SS Flat head screw and SS Washer in on the opposite side using a Philips head screwdriver. Tighten the screws until the Rubber Rod Retainer is locked in place. **DO NOT** overtighten the screws or unneeded stress could be placed on the rubber piece and cause premature failure.

