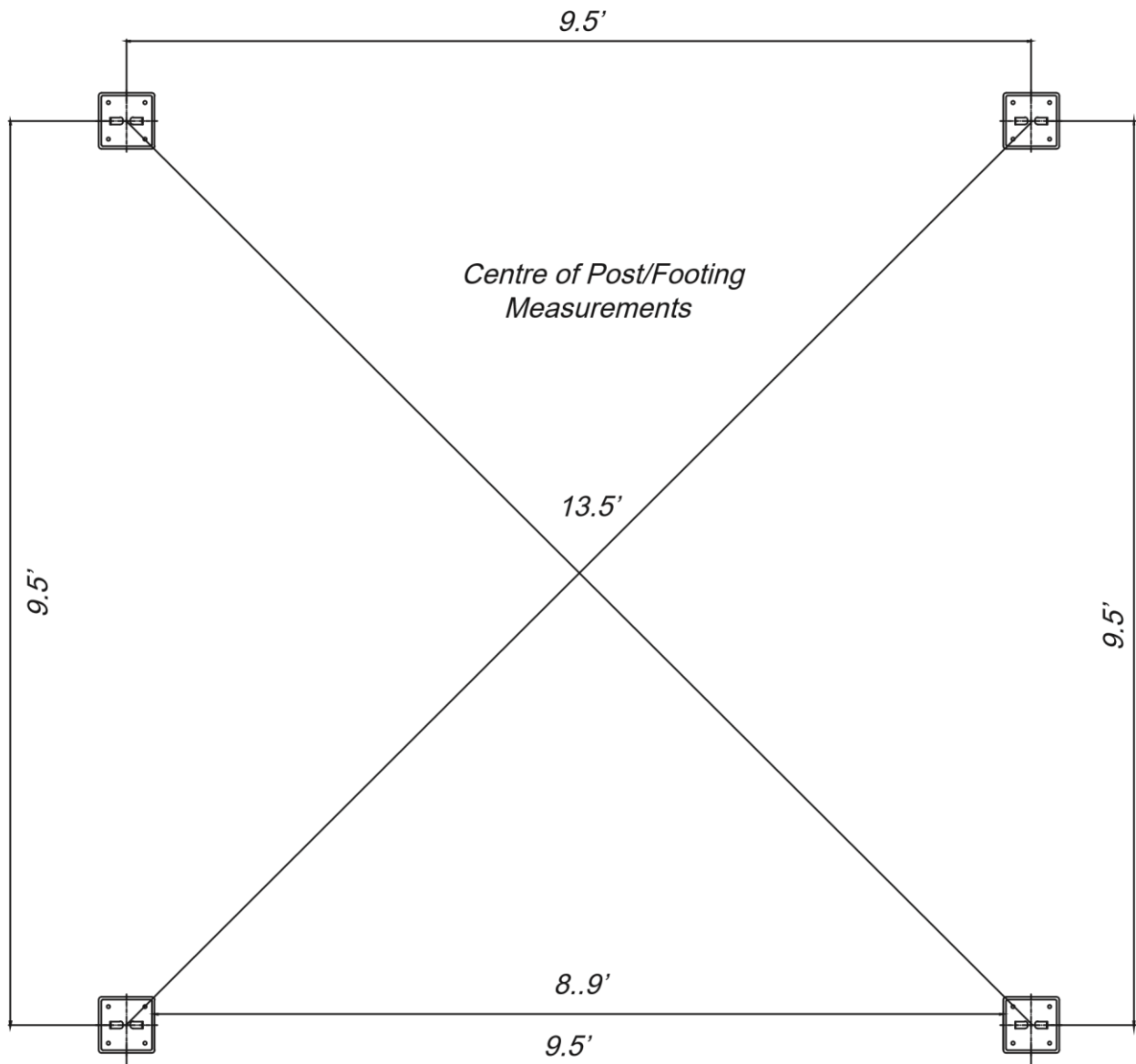
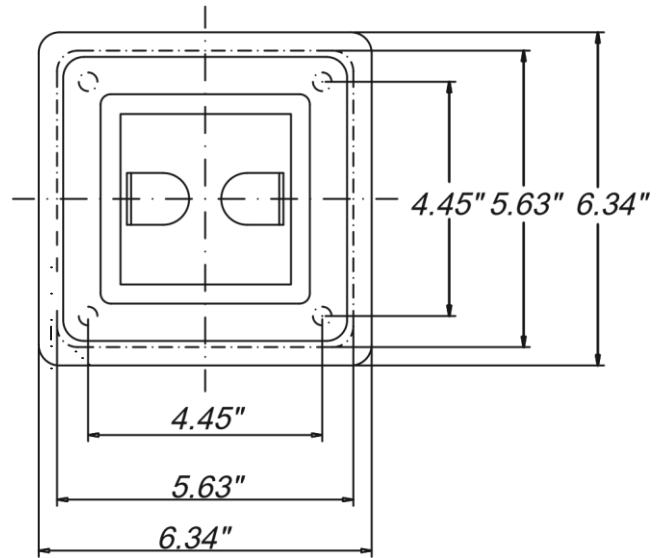
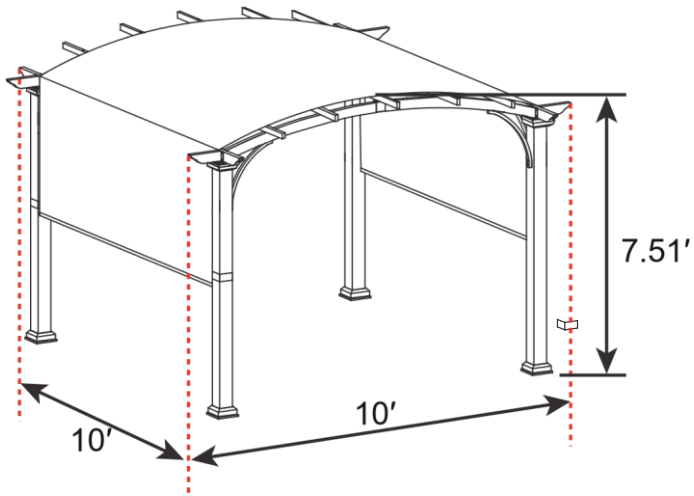
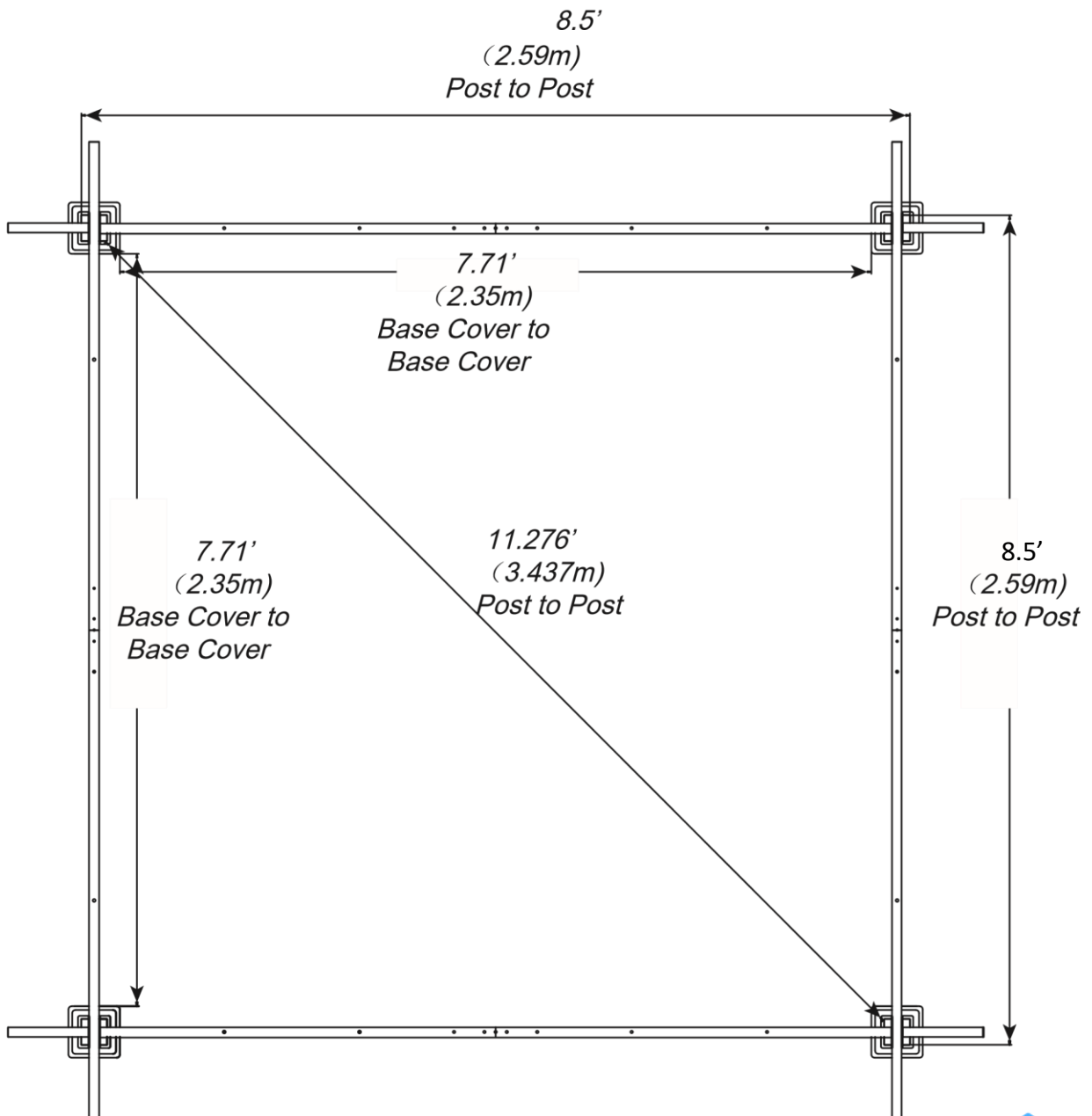
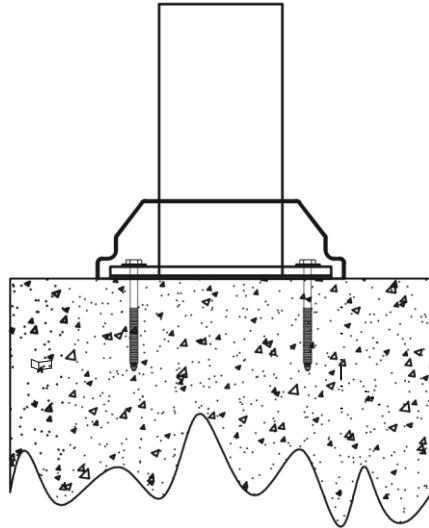


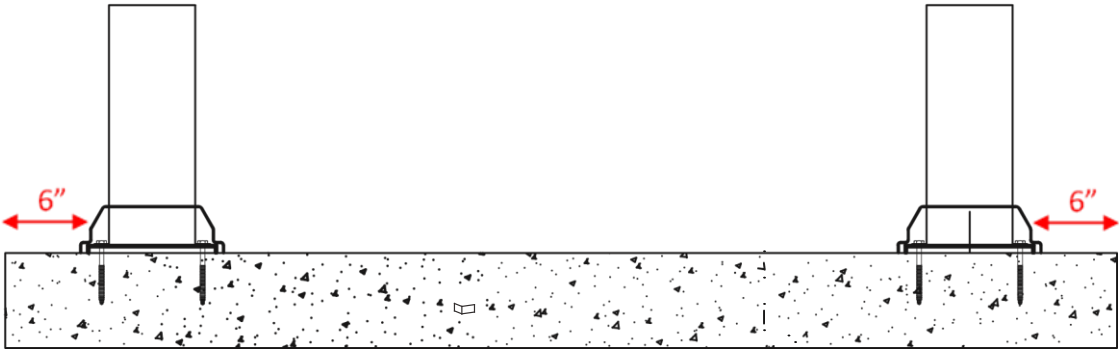
Shorewood 10' X 10' PERGOLA



Concrete Footer



Concrete Patio Slab [min. 10' x 10' (3.05 m x 3.05m)] with 6' (1.83 m) clearance on all sides



Wood Deck Area [min. 10' x 10' (3.05 m x 3.05m)] with 6' (1.83 m) clearance on all sides

