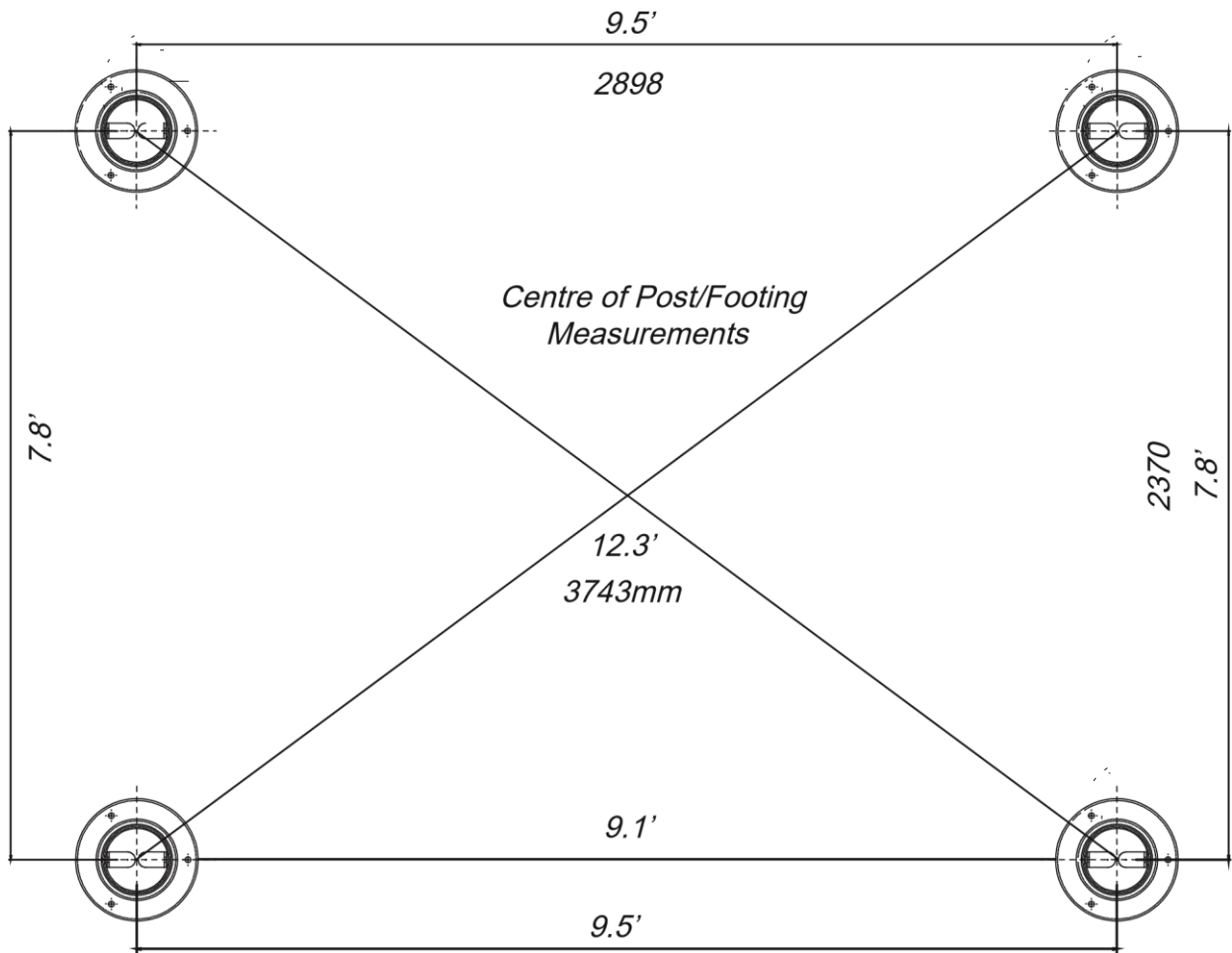
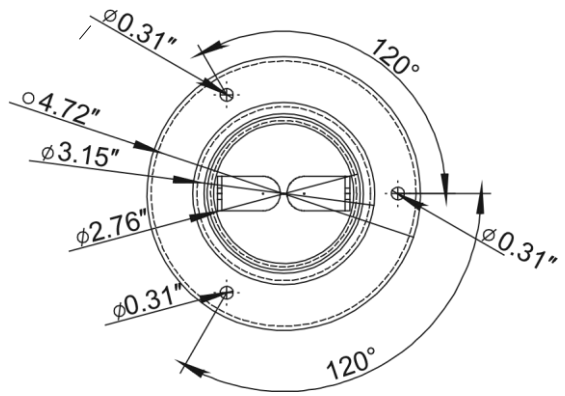
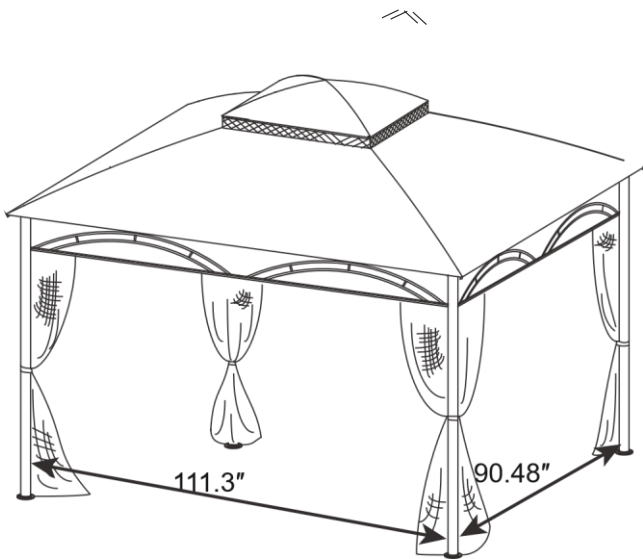
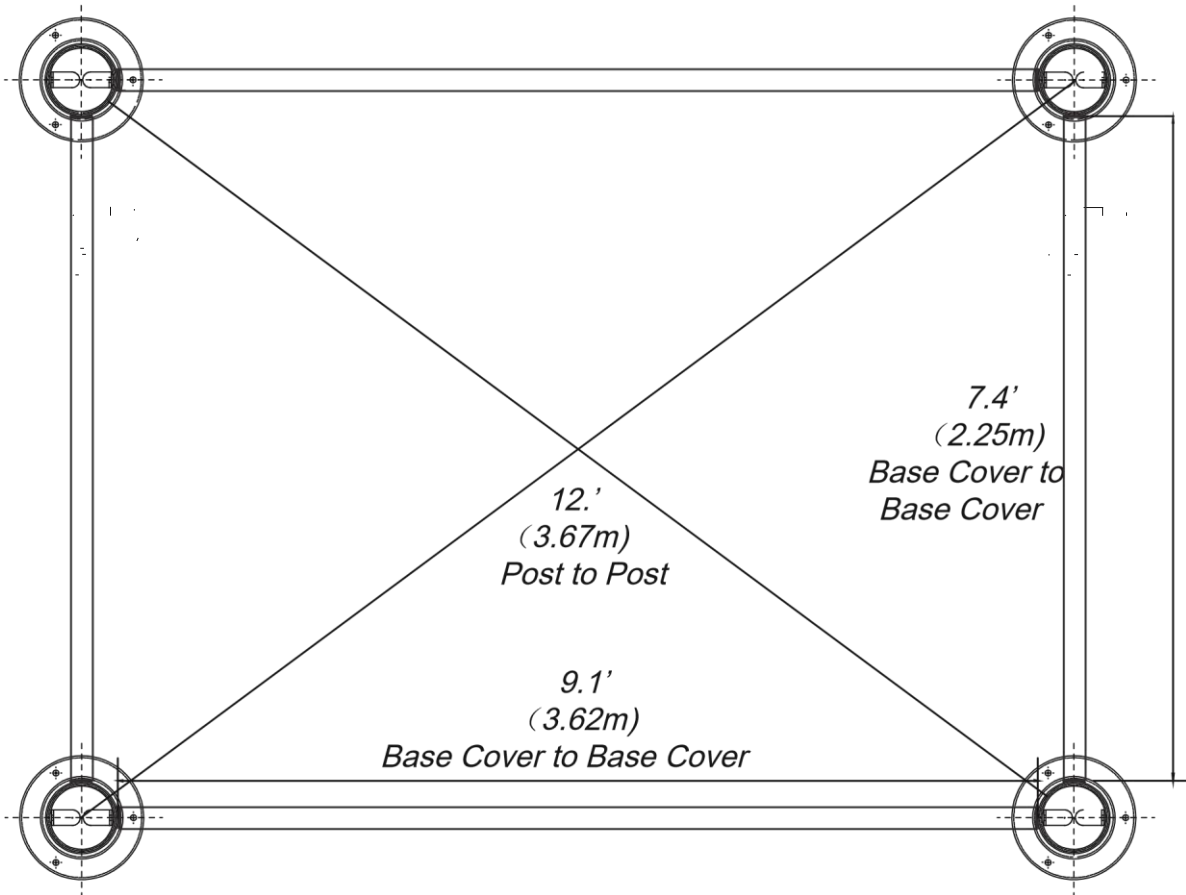
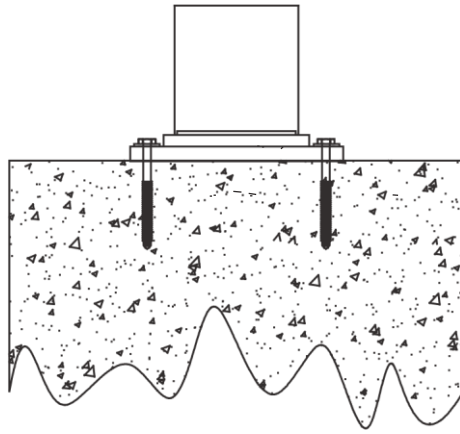


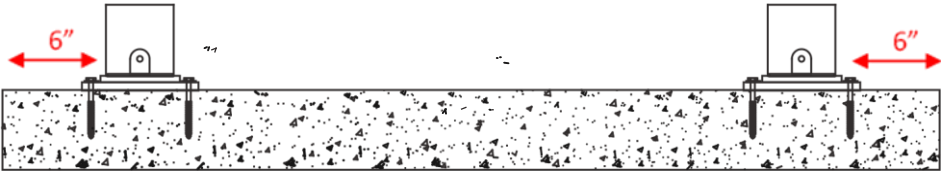
9' x 11' Soft Top Gazebo



Concert Footer



Concrete Patio Slab [min. 9' x 11' (2.75 m x 3.35m)] with 6' (1.83 m) clearance on all sides



Wood Deck Area [min. 9' x 11' (2.75 m x 3.35m)] with 6' (1.83 m) clearance on all sides

