

# Shade N' Shelters

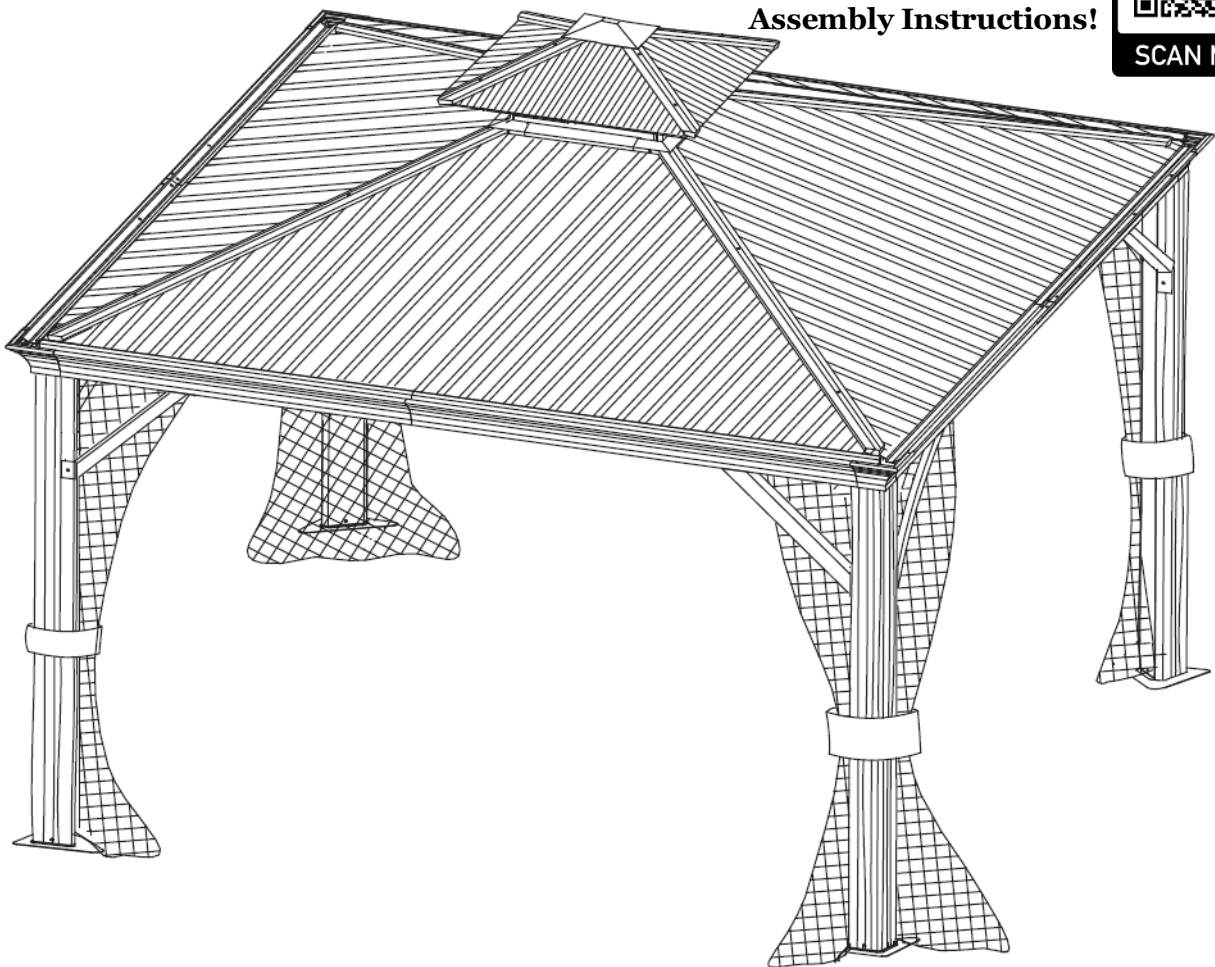
## Owner's Manual

### Granite Peak

### 12' x 12' Hard Top Gazebo

Model Number: GP/GAZ-1212

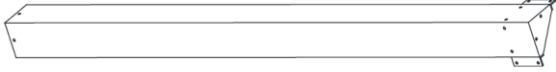






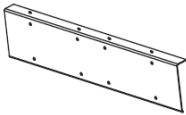


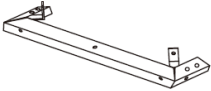
Scan For Video  
Assembly Instructions!



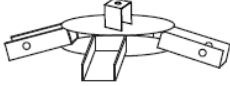

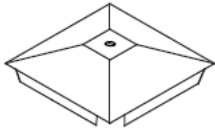



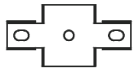









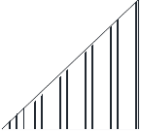

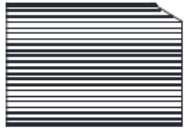

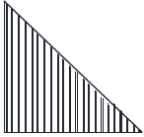

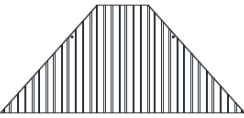
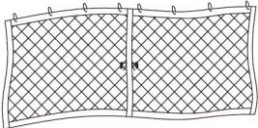
Note: This gazebo is designed to be used as a permanent fixture.






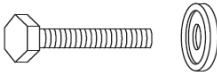
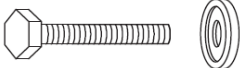


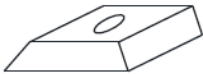



# Parts List

## Granite Peak 12' x 12' Hard Top Gazebo

Letter	Illustration	Description	Qty.
A		Corner Post	4
B		Corner Post Base Plate	4
C1		Lintel	4
C2		Lintel	4
E		Lintel Corner Support Bar	8
F		Lintel Bracket	4
G1		Lintel Connector - Small	4
G2		Lintel Connector - Large	4
H		Main Roof Corner Support	4
I		Main Roof Vertical Center Support	4
J1		Main Roof Center Frame – Short Connector	2

Letter	Illustration	Description	Qty.
J2		Main Roof Center Frame - Long Connector	2
K1		Roof Vent - Corner Supports	4
K2		Roof Vent - Center Support	1
K3		Roof Vent Hook	1
L		Roof Vent - Top Trim	1
M		Main Roof - Lower Horizontal Support	8
N		Main Roof - Upper Horizontal Support	8
O1		Main Roof Connector - Corner	8
O2		Main Roof Connector - Center	8
P1		Roof Vent Frame	4
Q1		Main Roof Corner Trim	4
Q2		Roof Vent Corner Trim	4

Letter	Illustration	Description	Qty.
Q4		Main Roof Center Frame Trim	4
R1		Roof Vent Side Trim	4
S1		Lintel Cover - Corner	4
S2		Lintel Cover - Center	4
T1		Main Roof Panel	4
T2		Main Roof Panel	4
T3		Main Roof Panel	4
T4		Main Roof Panel	4
T5		Main Roof Panel	4
T6		Main Roof Panel	4
U1		Roof Vent Panel	4
V		Mosquito Netting	4

Letter	Illustration	Description	Qty.
AA		M6 x 15mm Bolt with Steel Washer	189
BB		M8 x 15mm Bolt with Steel Washer	48
CC		M6 x 15mm Bolt with Plastic Washer	8
DD		M6 x 15mm Bolt	16
EE		M6 x 25mm Bolt with Plastic Washer	28
FF		M6 x 35mm Bolt with Plastic Washer	8
GG		M6 x 40mm Bolt with Plastic Washer	8
II		M6 x 55mm Bolt with Flat Washer & Nut	4
JJ		Mosquito Netting Hook	48
KK		Spacer	28
LL		Ground Stake	12
MM		M8 Allen Wrench	1
NN		M6 Hex Wrench	2

# Assembly Instructions

## Granite Peak 12' x 12' Hard Top Gazebo

Note: For video instructions please visit:

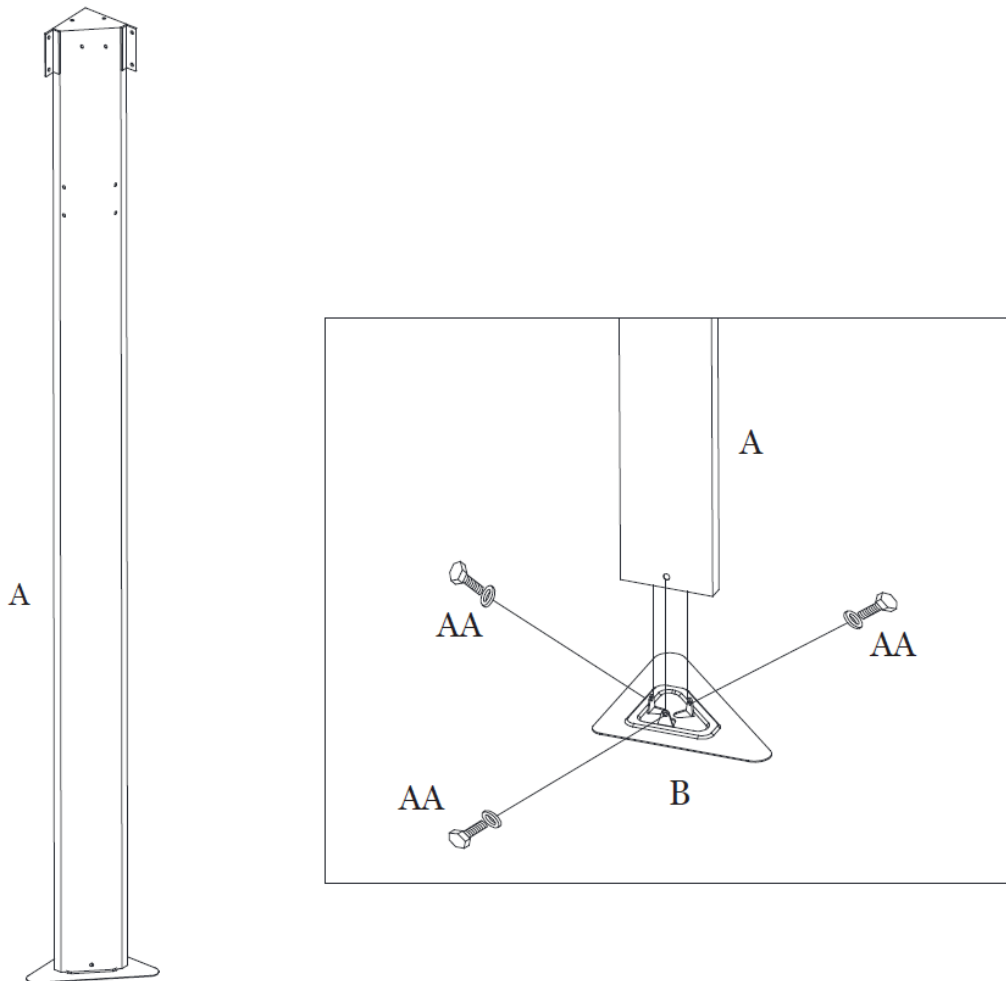
<https://shadenshelters.com/12x12-granite-peak-gazebo>

### Important:

- Read all the instructions before assembly. Failure to do so may result in faulty assembly and potential injury.
- Before assembling the product, remove all protective materials, hardware kit(s), and identify all parts packed in the carton are present. (Note: If any part is missing or damaged, do not attempt to assemble). Contact Shade N' Shelters Customer Support. See page 22.
- Assemble on a stable level surface to avoid damage to gazebo and possible injury.
- Two people are required to assemble this product.
- Gazebo dimensions are measured from roof corner to roof corner.

**WARNING: DO NOT TIGHTEN BOLTS UNTIL NOTED AFTER EACH STEP!**

**Step 1:** Connect Corner Post Base Plate (B) to Corner Post (A) using Bolts (AA). Repeat for all Corner Posts and Base Plates. **Tighten all Bolts.** See Figure 1.



**Figure 1**

**Step 2A:** Insert Twelve Mosquito Netting Hooks (JJ) into the channel of each Lintel (C2). See Figure 2-1.

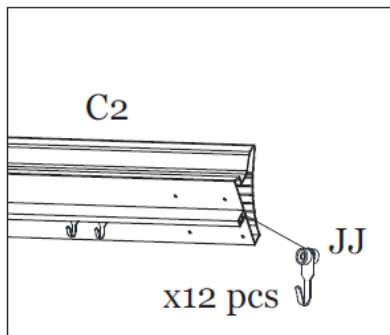
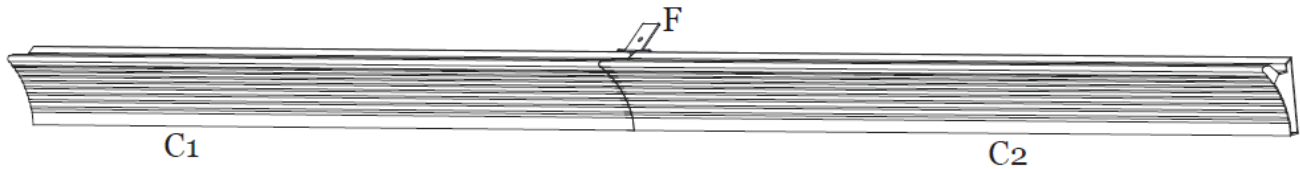
**Note:** The extra channel is for optional privacy curtain. Available at <https://shadenshelters.com/>

**Step 2B:** Attach Lintel Connector (G1) to Lintel (C2) using Bolts (AA). See Figure 2-2

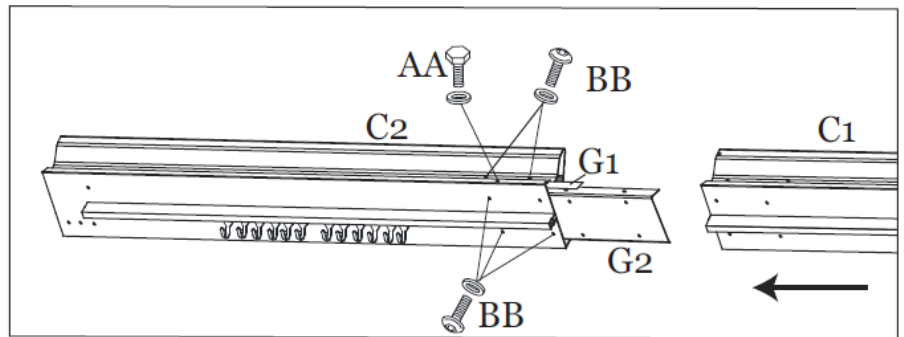
**Step 2C:** Attach Lintel (C2) to Lintel Connector (G2) using Bolts (BB). Attach Lintel (C1) to Lintel Connector (G2) using Bolts (BB).

**Note:** Leave 1 Bolt Hole open on both Lintels (C1 and C2) for Step 2D. See Figure 2-2.

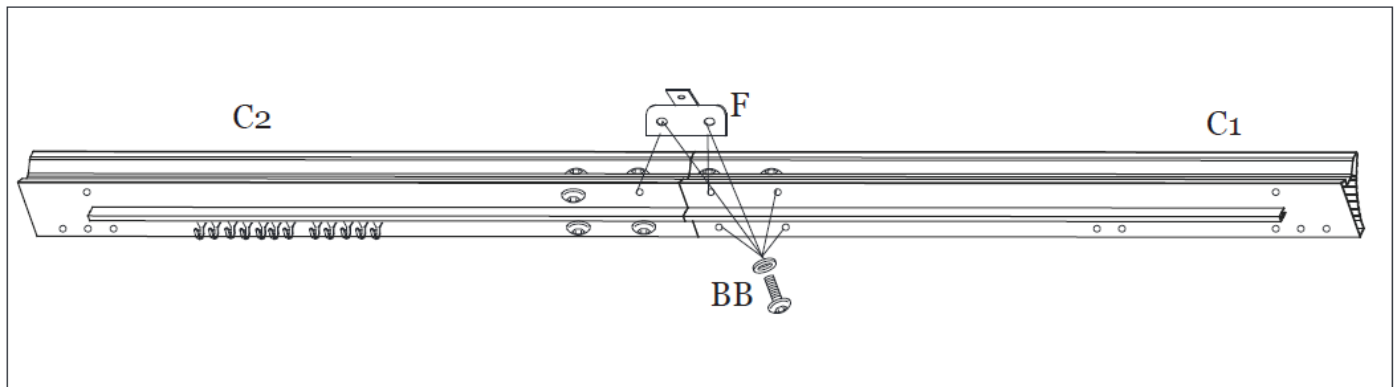
**Step 2D:** Attach Lintel Bracket (F) to Lintels (C1 and C2) using Bolts (BB). **Tighten all Bolts.** See Figure 2-3. Repeat Step 2A to 2D for remaining Lintels (C1 and C2).



**Figure 2-1**



**Figure 2-2**

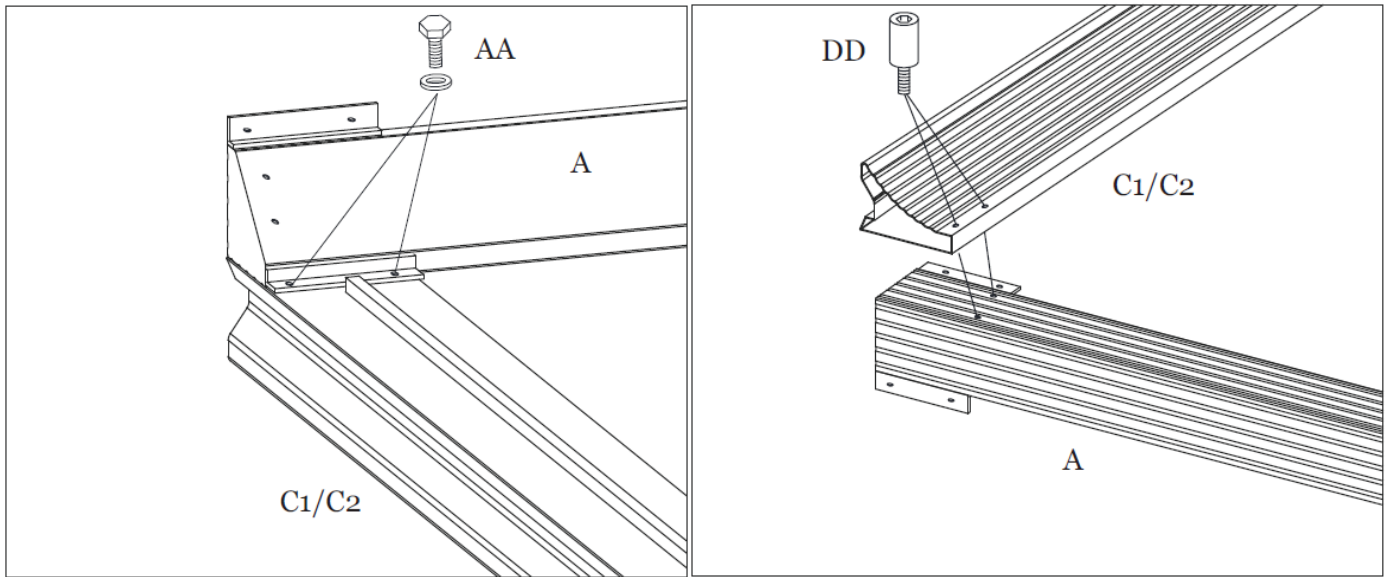


**Figure 2-3**

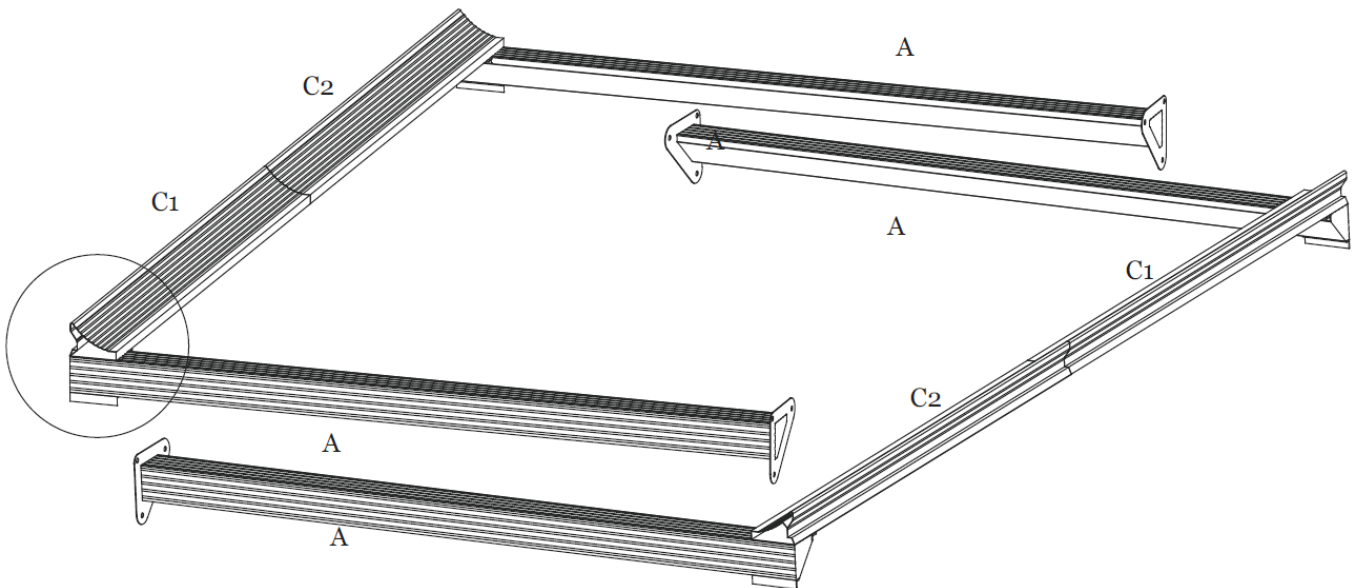
**Step 3A:** Attach Corner Posts (A) to end of Lintels (C1 and C2) first with Bolts (AA) then with Bolts (DD).

**Tighten all Bolts.** See Figure 3-1.

**Step 3B:** Repeat for opposite side Lintels (C1 and C2) and Corner Posts (A). See Figure 3-2.



**Figure 3-1**



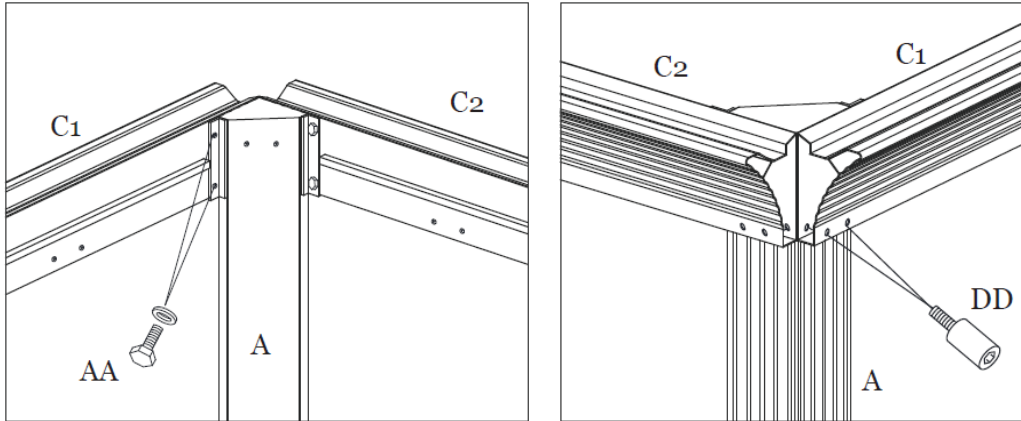
**Figure 3-2**



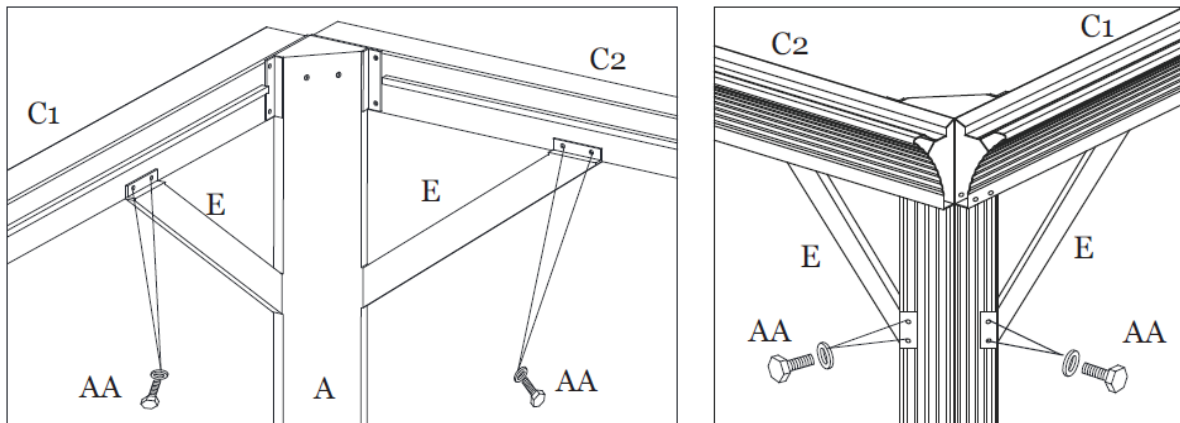
**Step 4A:** Attach Corner Posts (A) to Lintel (C1 and C2) first with Bolts (AA) then with Bolts (DD). Repeat for opposite side Lintels (C1 and C2). See Figure 4-1.

**Step 4B:** Attach Support Bars (E) to Lintels (C1 and C2) and Corner Post (A) with Bolts (AA). See Figure 4-2.

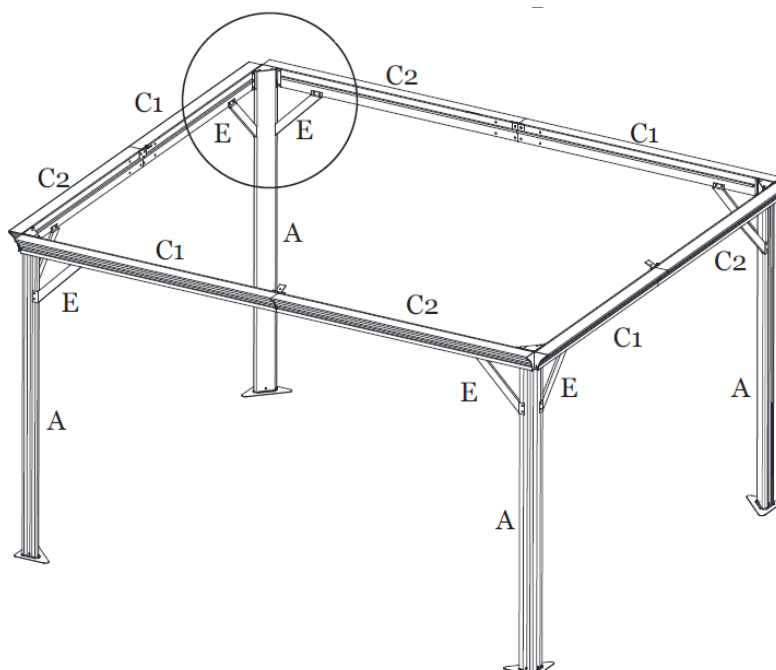
**Step 4C:** Repeat for all Corner Posts and Lintels. **Tighten all Bolts.** See Figure 4-3.



**Figure 4-1**



**Figure 4-2**



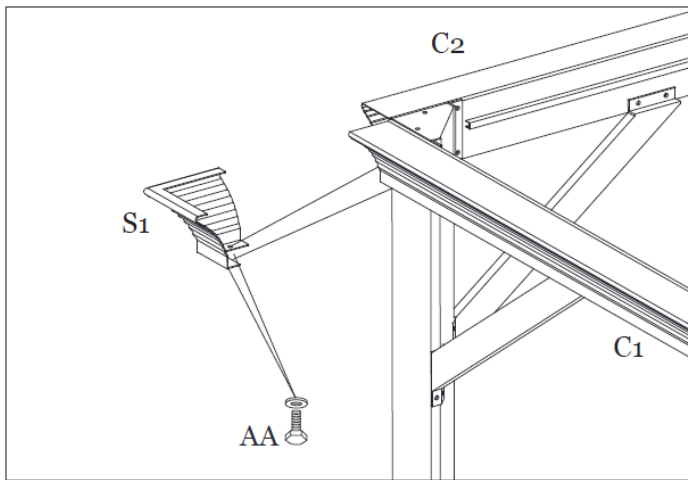
**Figure 4-3**

**Step 5A:** Attach Corner Lintel Cover (S1) to Lintel (C1) and Lintel (C2) with Bolts (AA). Repeat for all corners.

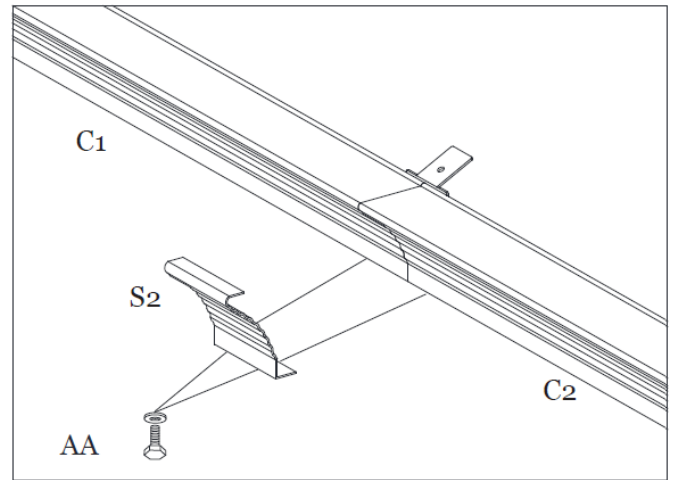
**Tighten all Bolts.** See Figure 5-1.

**Step 5B:** Attach Center Lintel Cover (S2) to Lintels (C1 and C2). **Tighten all Bolts.** See Figure 5-2.

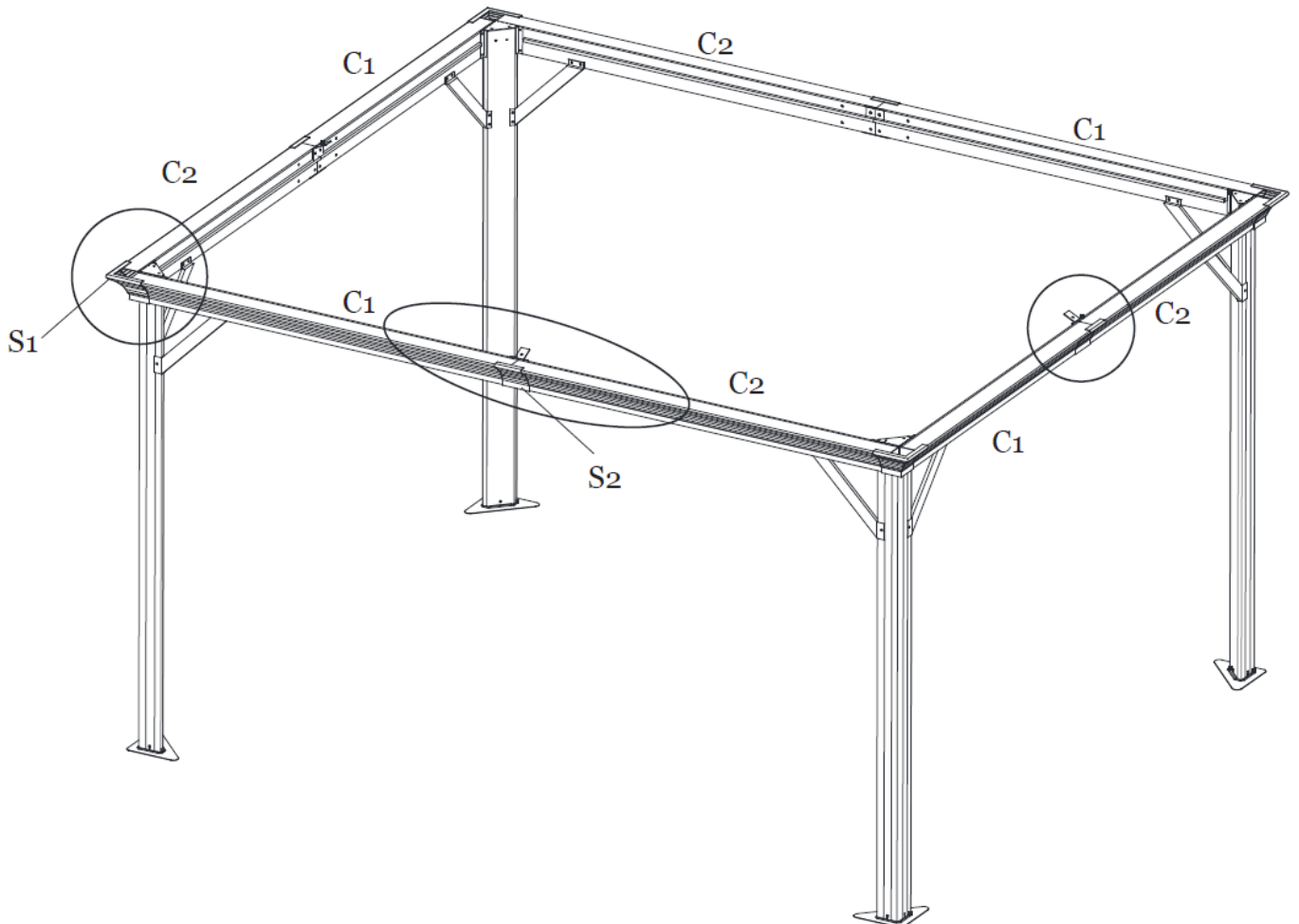
**Step 5C:** Repeat for opposite sides. **Tighten all Bolts.** See Figure 5-3.



**Figure 5-1**



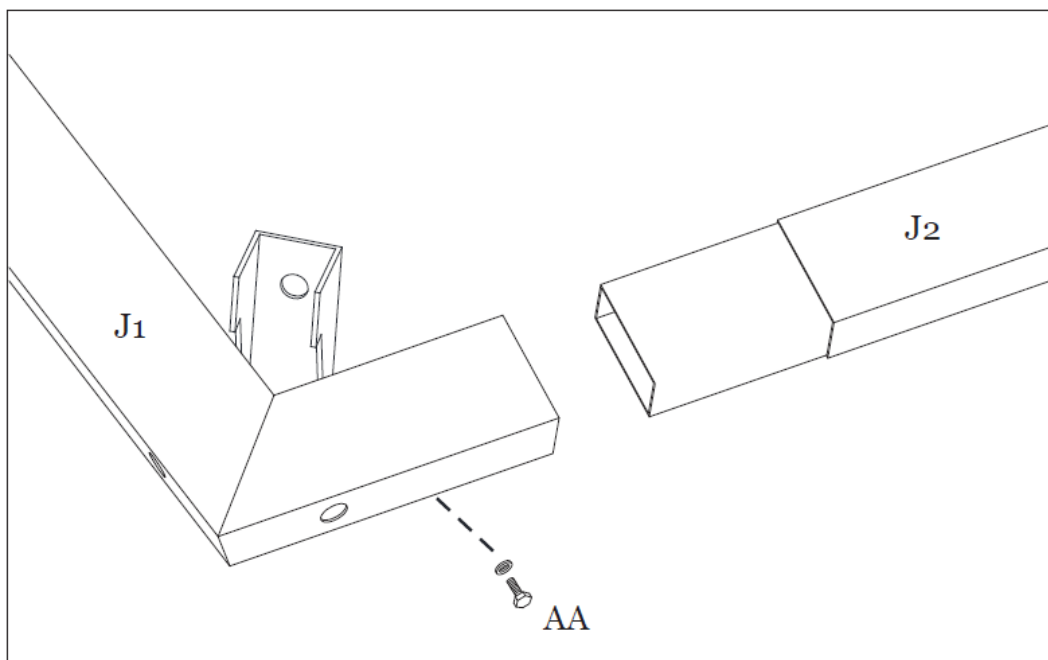
**Figure 5-2**



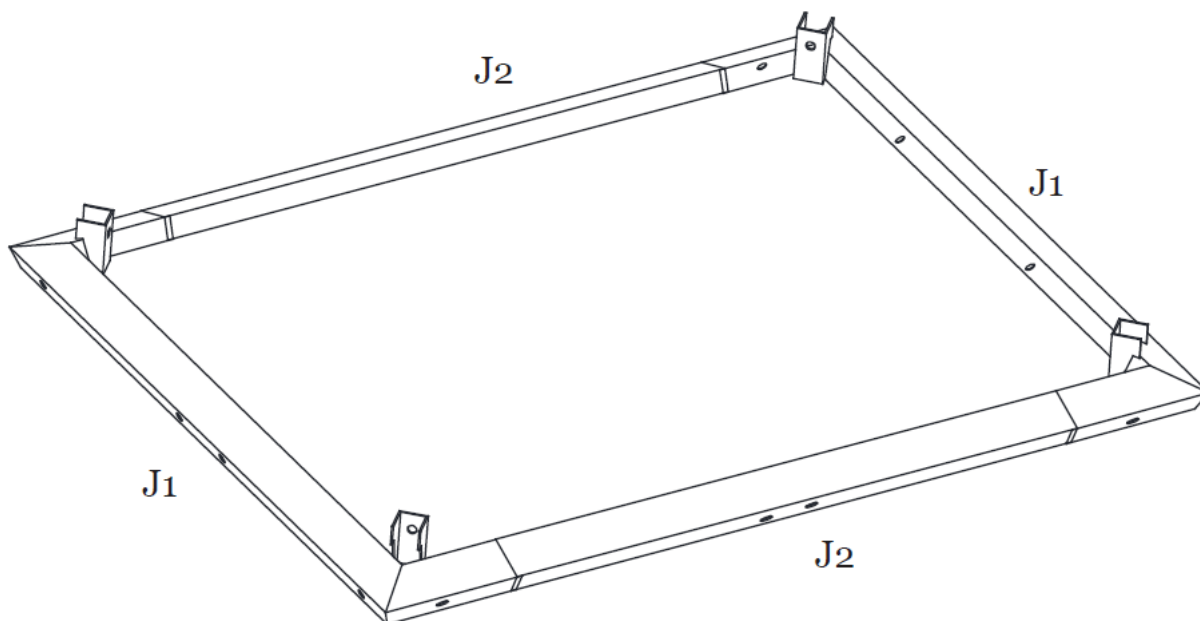
**Figure 5-3**

**Step 6A:** Assemble the Main Roof Center Frame by inserting the Main Roof Center Frame (J2) into the Main Roof Center Frame (J1) and attach with Bolts (AA). See Figure 6-1.

**Step 6B:** Repeat for opposite sides and ends. **Tighten all Bolts.** See Figure 6-2.



**Figure 6-1**



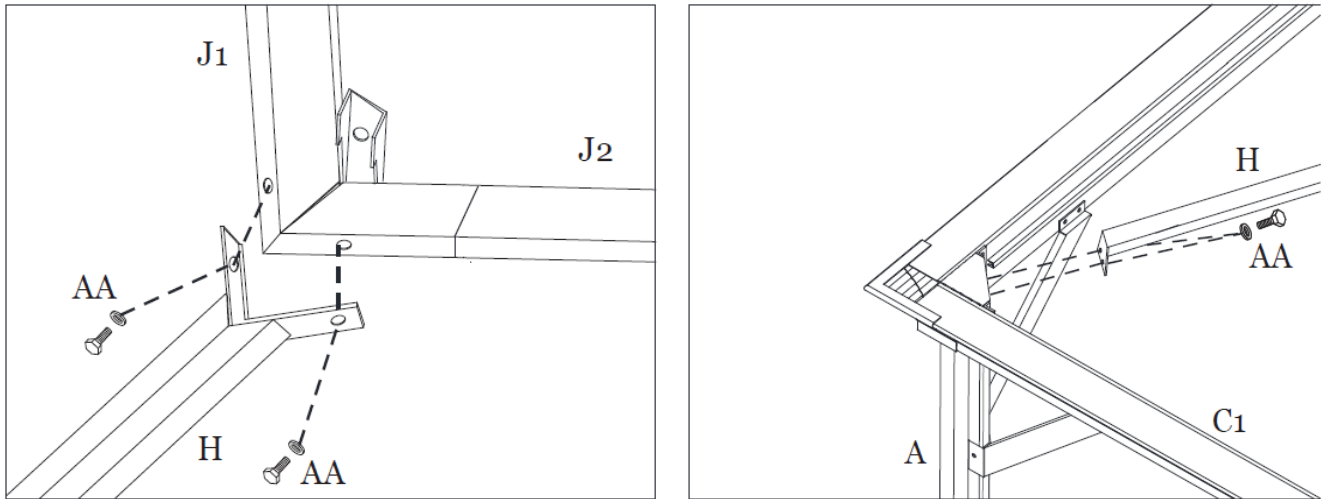
**Figure 6-2**

**Step 7A:** Assemble the Main Roof Corner Supports (H) to the Main Roof Center Frame (J1) and then to the Corner Posts (A) using Bolts (AA). See Figure 7-1.

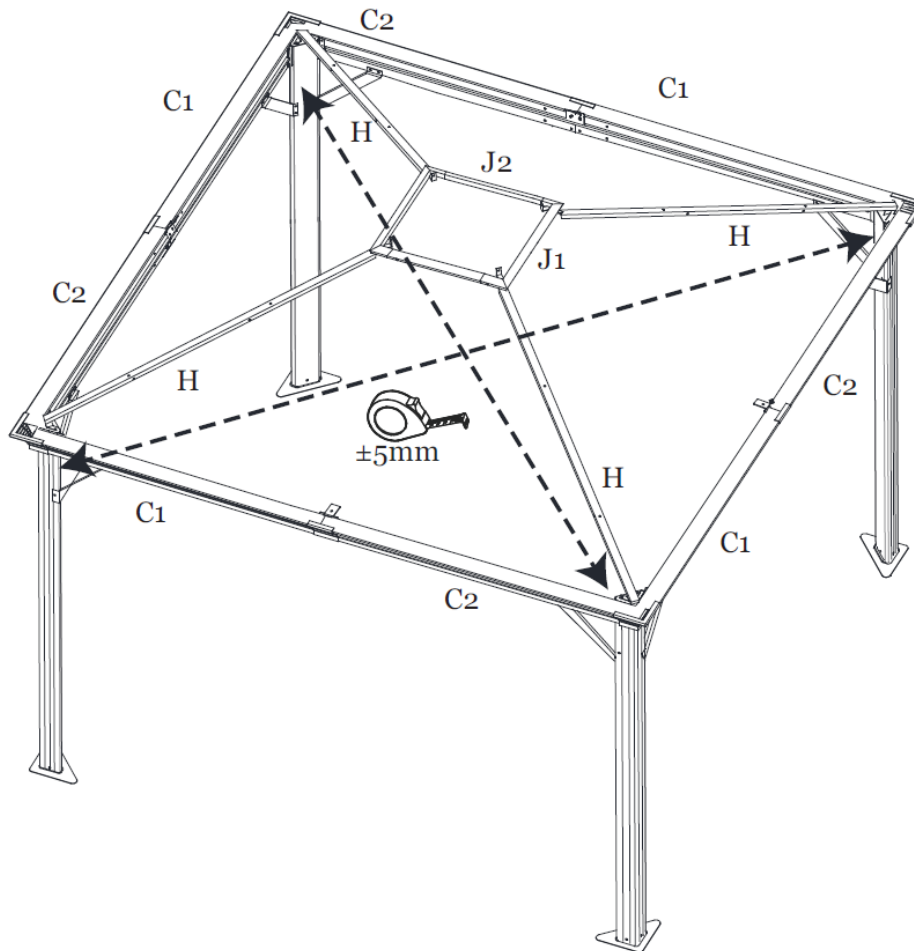
**Note:** You will need a second person to hold the assembled Main Roof Center Frame while attaching the Main Roof Corner Supports (H).

**Step 7B:** Repeat for all corners and **Tighten all Bolts.**

**Note:** Diagonal measurements from corner to corner must be within 5mm of the same distance. See Figure 7-2.



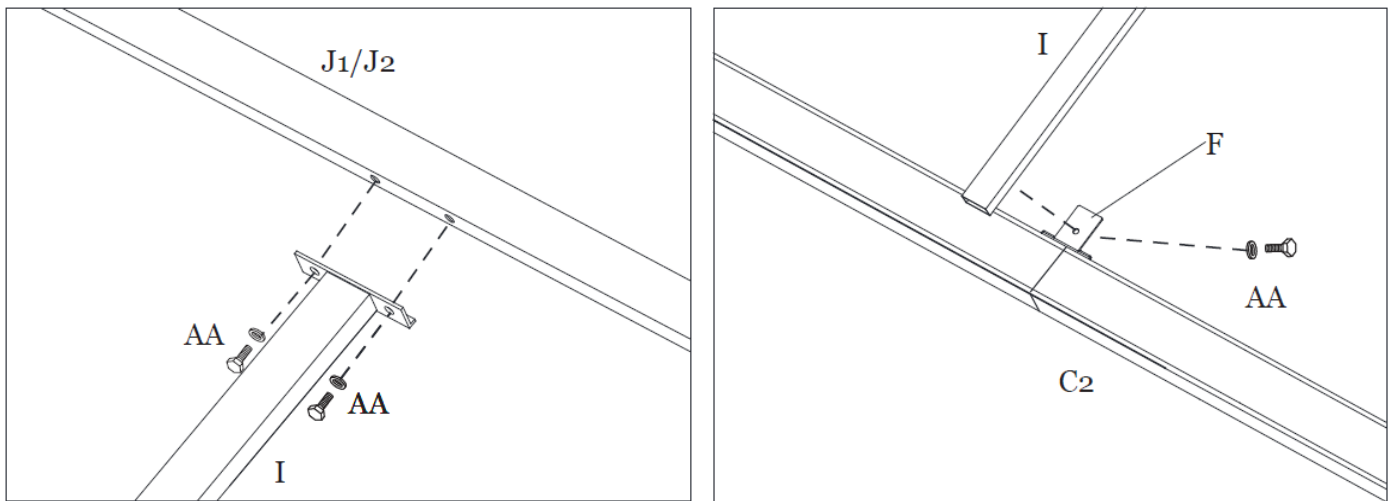
**Figure 7-1**



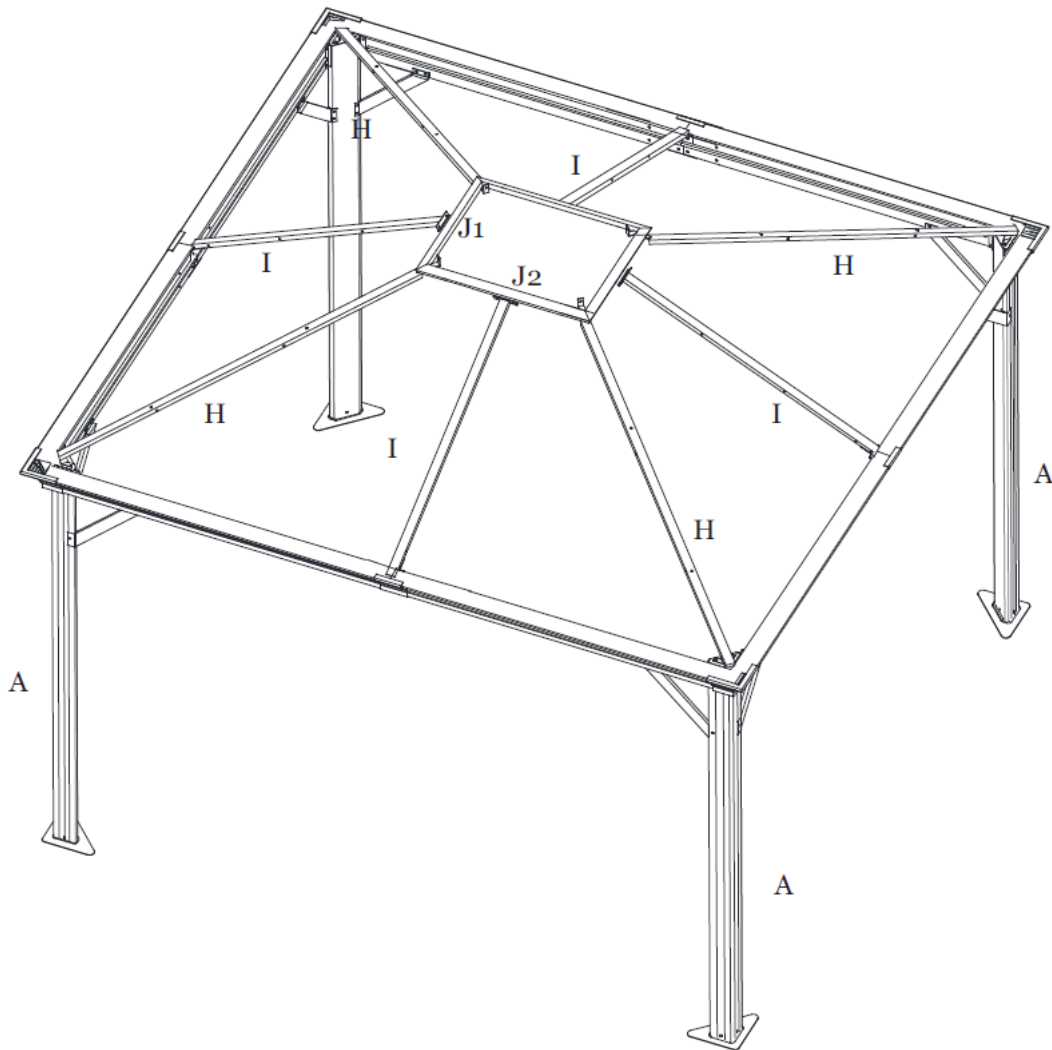
**Figure 7-2**

**Step 7C:** Attach the Main Roof Vertical Center Supports (I) to the Main Roof Center Frame (J1 and J2) and on top of the Lintel Brackets (F) using Bolts (AA). **Hand Tighten Only.** See Figure 7-3.

**Step 7D:** Repeat for each side. **Tighten all Bolts.** See Figure 7-4



**Figure 7-3**

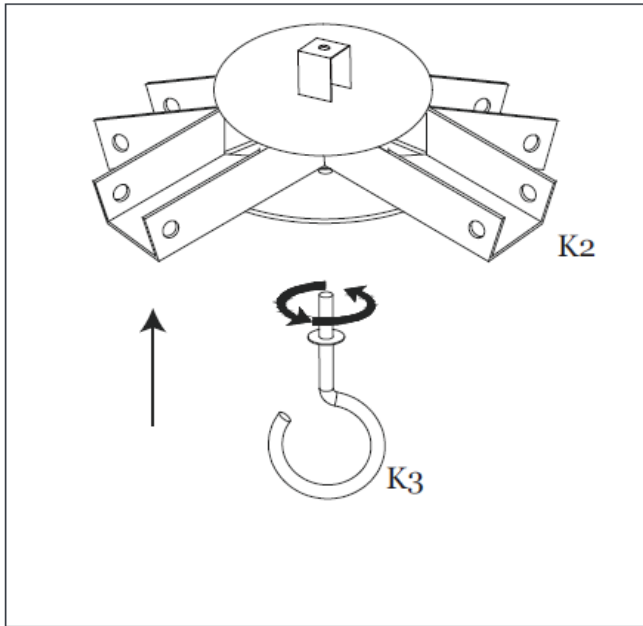


**Figure 7-4**

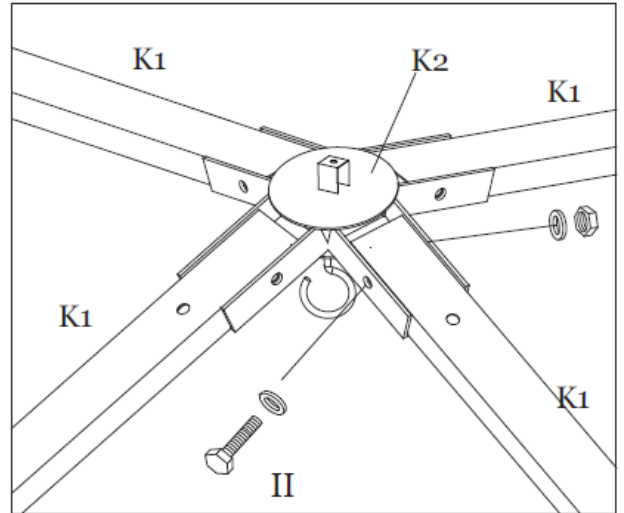
**Step 8A:** Attach Roof Vent Hook (K3) to Roof Vent Center Support (K2). See Figure 8-1.

**Step 8B:** Assemble the Roof Vent Frame by attaching Roof Vent Corner Support (K1) to Roof Vent Center Support (K2) with Bolts (II). **Tighten all Bolts.** See Figure 8-2.

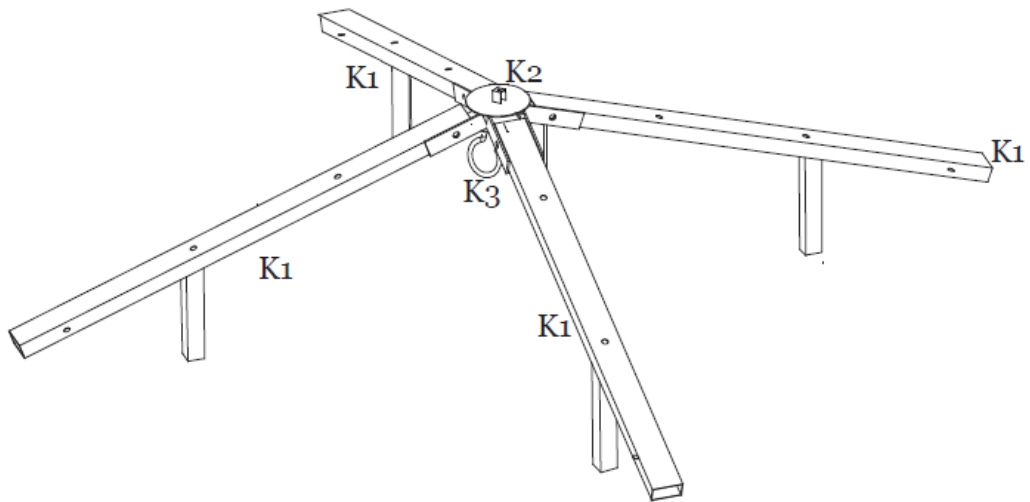
**Step 8C:** Repeat for all corners. **Tighten all Bolts.** Figure 8-3.



**Figure 8-1**



**Figure 8-2**



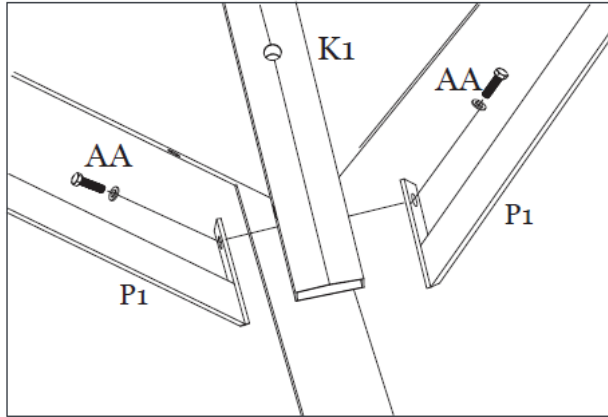
**Figure 8-3**

**Step 9A:** Attach the sides of the Roof Vent Frame by connecting the Roof Vent Frame (P1) to the Roof Vent Corner Support (K1) using Bolts (AA). See Figure 9-1.

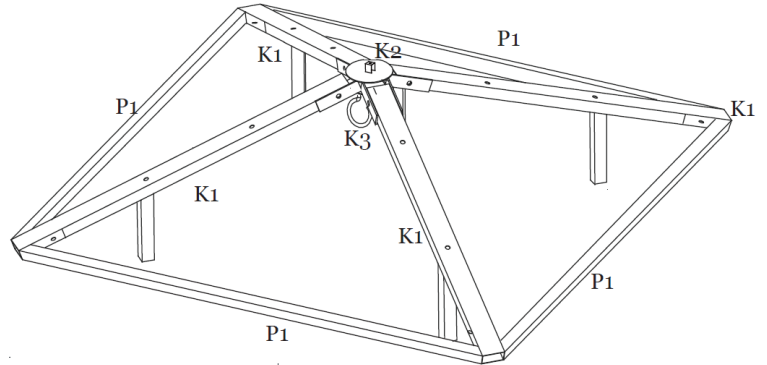
**Step 9B:** Repeat for opposite side. **Tighten all Bolts.** See Figure 9-2.

**Step 9C:** Secure the Roof Vent Frame to the Main Roof Center Frame by inserting the Roof Vent Corner Supports (K1) into the Main Roof Center Frame (J1) and attach using Bolts (AA). See Figure 9-3.

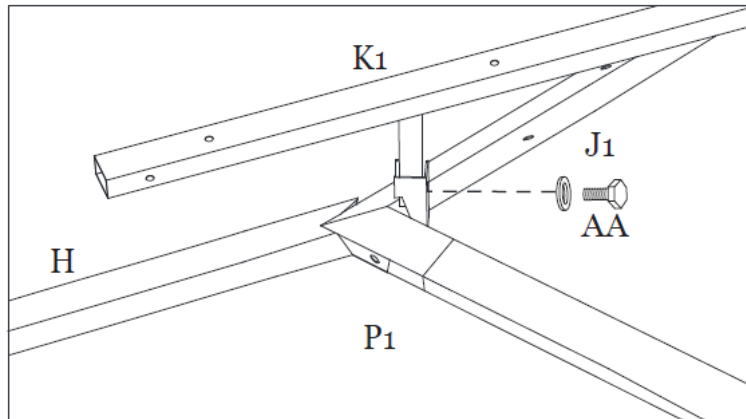
**Step 9D:** Repeat for all corners. **Tighten all Bolts.** See Figure 9-4



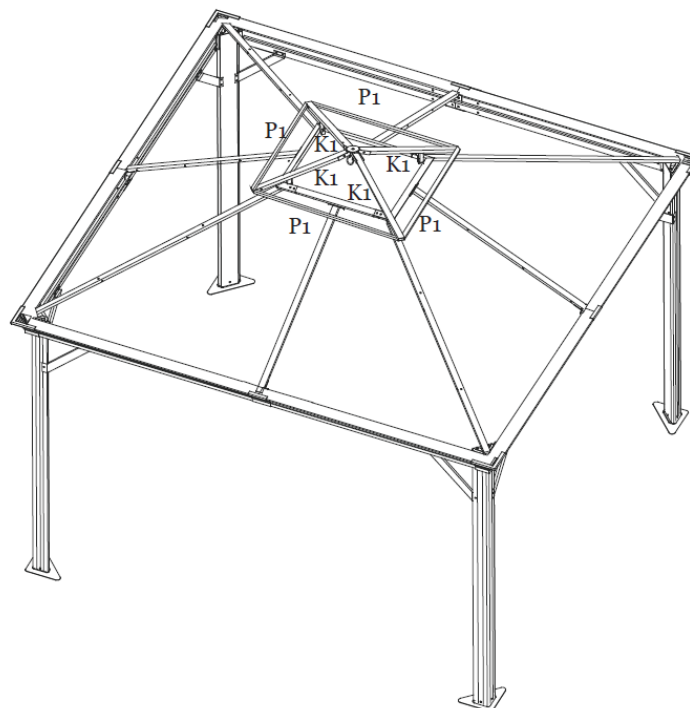
**Figure 9-1**



**Figure 9-2**



**Figure 9-3**



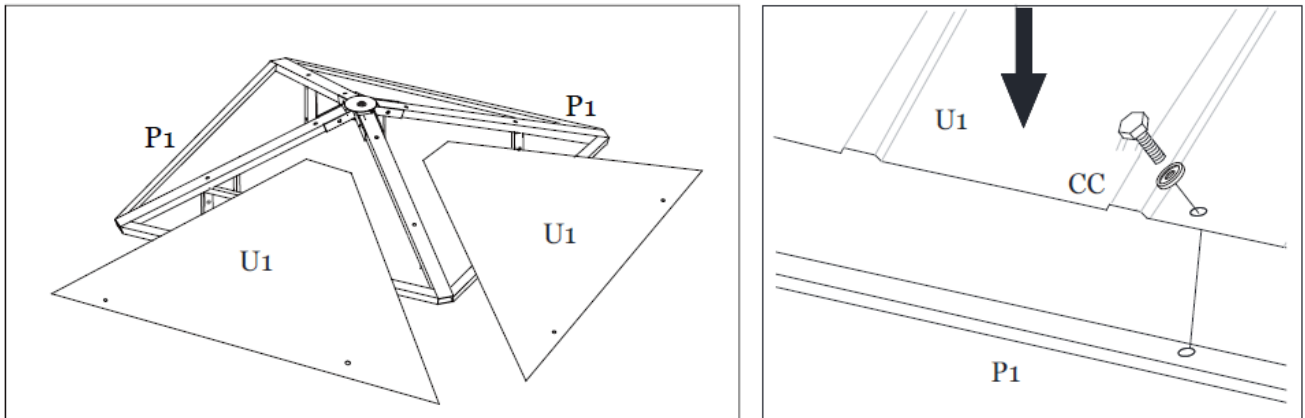
**Figure 9-4**



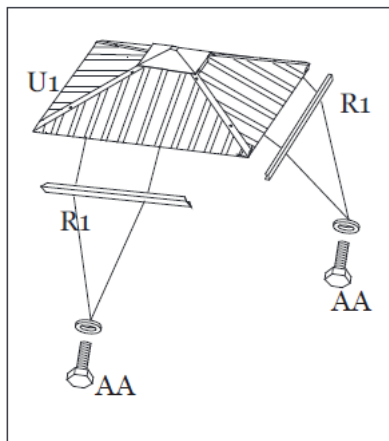
**Step 10A:** Attach the Roof Vent Panel (U1) to the Roof Vent Frame (P1) using Bolt (CC). See Figure 10-1.

**Step 10B:** Repeat for opposite sides. **Tighten all Bolts.** See Figure 10-2.

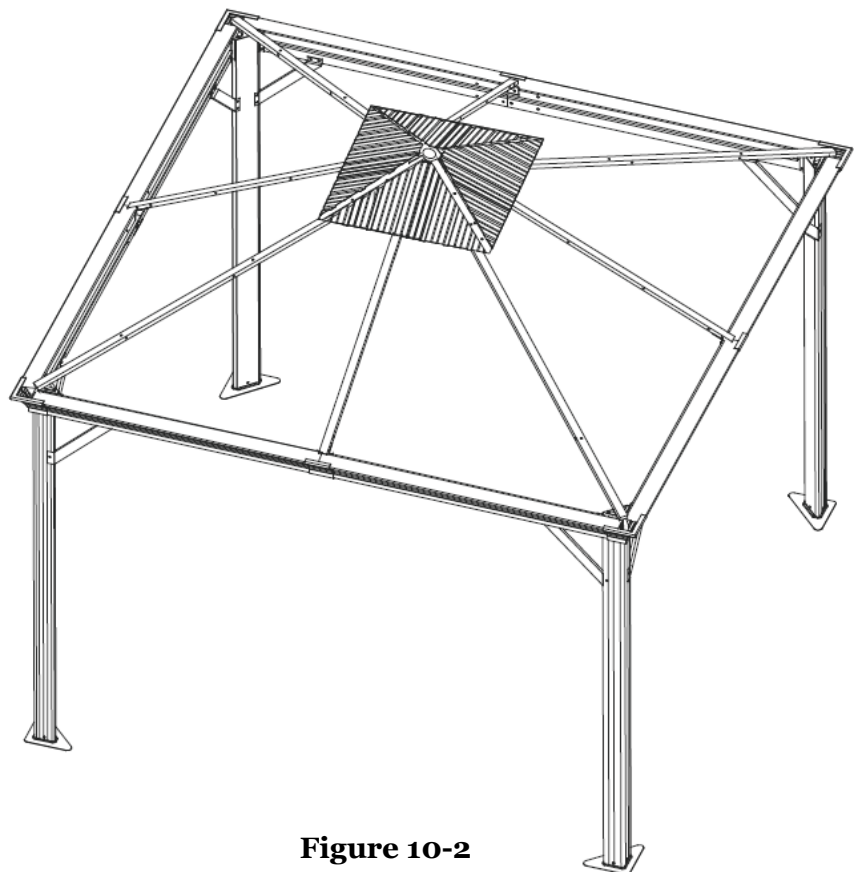
**Step 10C:** Attach the Roof Vent Trim (R1) to the Sides of Roof Vent Frame (P1) using Bolts (AA). Repeat for all sides. **Tighten all Bolts.** See Figure 10-3.



**Figure 10-1**



**Figure 10-3**



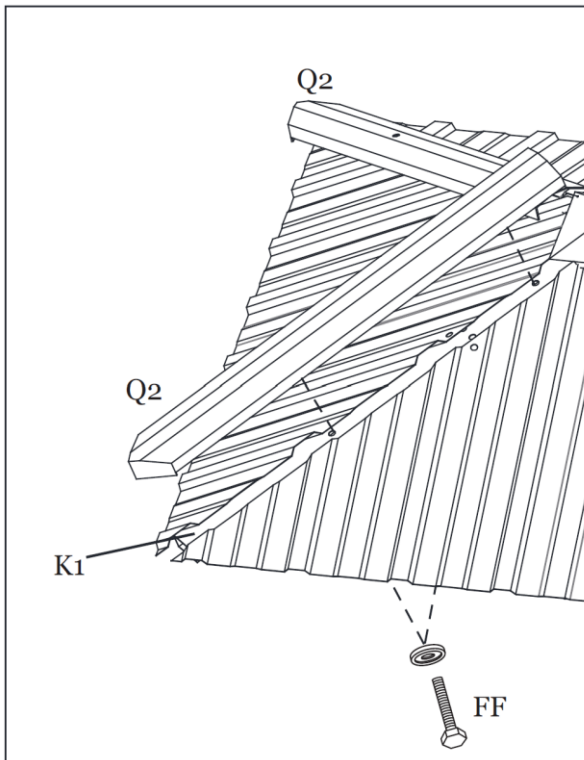
**Figure 10-2**



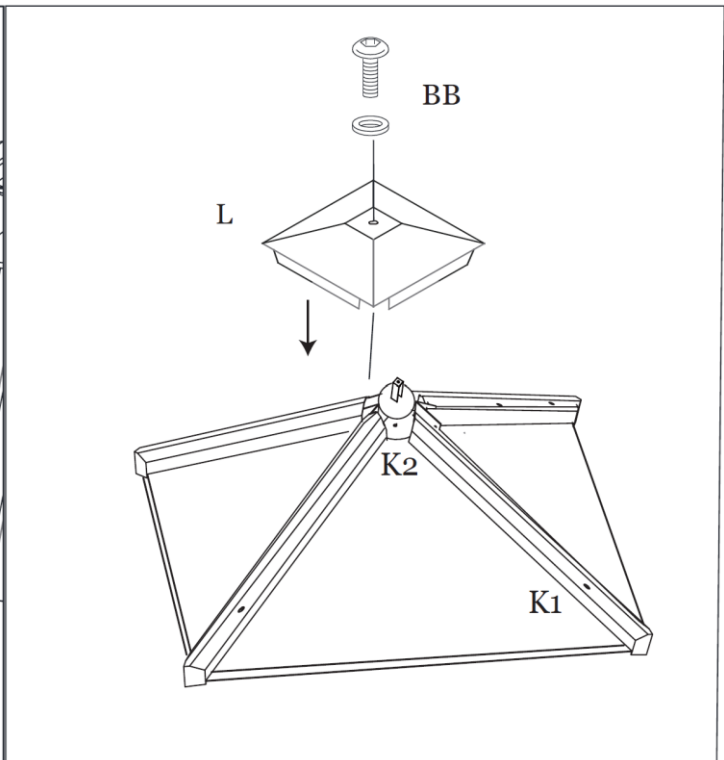
**Step 11A:** Attach the Roof Vent Corner Trim (Q2) to the Roof Vent Corner Support (K1) using Bolts (FF).  
See Figure 11-1.

**Step 11B:** Repeat for all corners. **Tighten all Bolts.** See Figure 11-2.

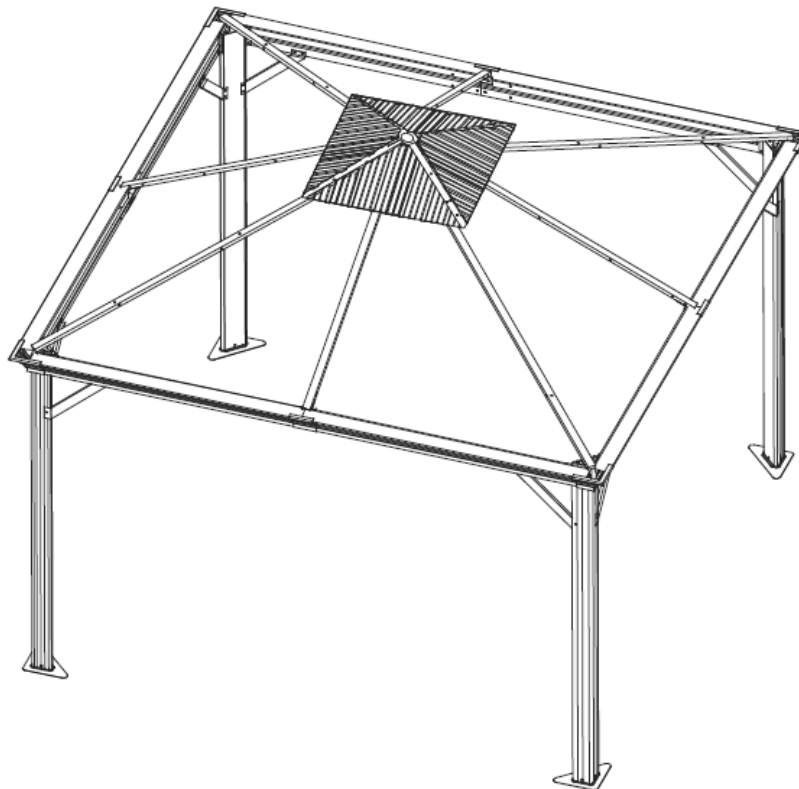
**Step 11C:** Attach the Roof Vent Top Trim (L) to the Roof Vent Center Support (K2) using Bolts (BB).  
**Tighten all Bolts.** See Figure 11-2 and Figure 11-3.



**Figure 11-1**



**Figure 11-3**



**Figure 11-2**

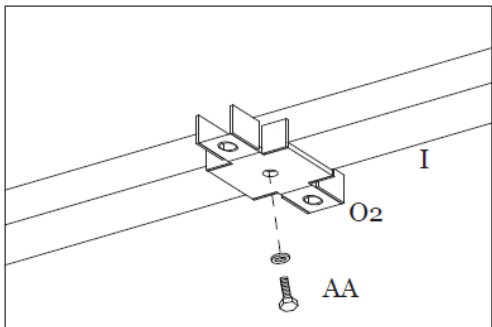
**Step 12A:** Attach the Main Roof Connectors (O1) to the Main Roof Corner Supports (H) using Bolts (AA). See Figure 12-1.

**Step 12B:** Attach the Main Roof Connectors (O2) to the Main Roof Vertical Center Supports (I) using Bolts (AA). See Figure 12-2.

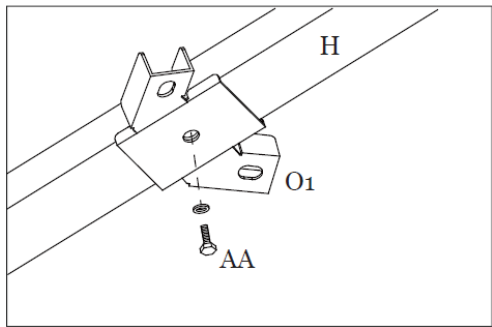
**Step 12C:** Attach the Main Roof Horizontal Supports (M and N) to the Main Roof Connectors (O1) using Bolts (AA). See Figure 12-3.

**Step 12D:** Attach the Main Roof Horizontal Supports (M and N) to the Main Roof Connectors (O2) using Bolts (AA). See Figure 12-4.

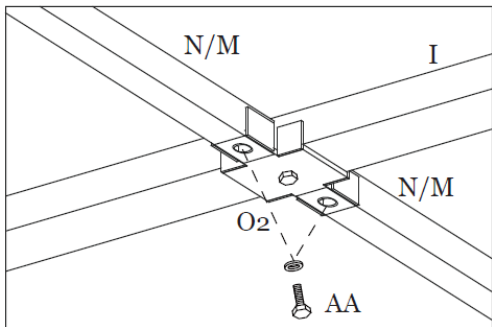
**Step 12E:** Repeat for all sides. **Tighten all Bolts.** See Figure 12-5.



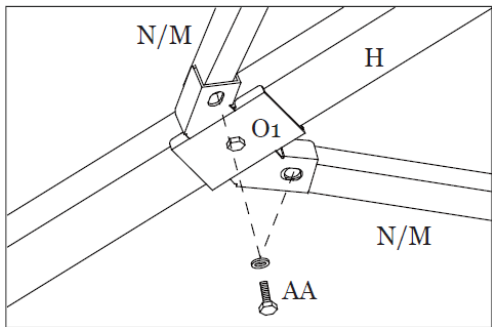
**Figure 12-1**



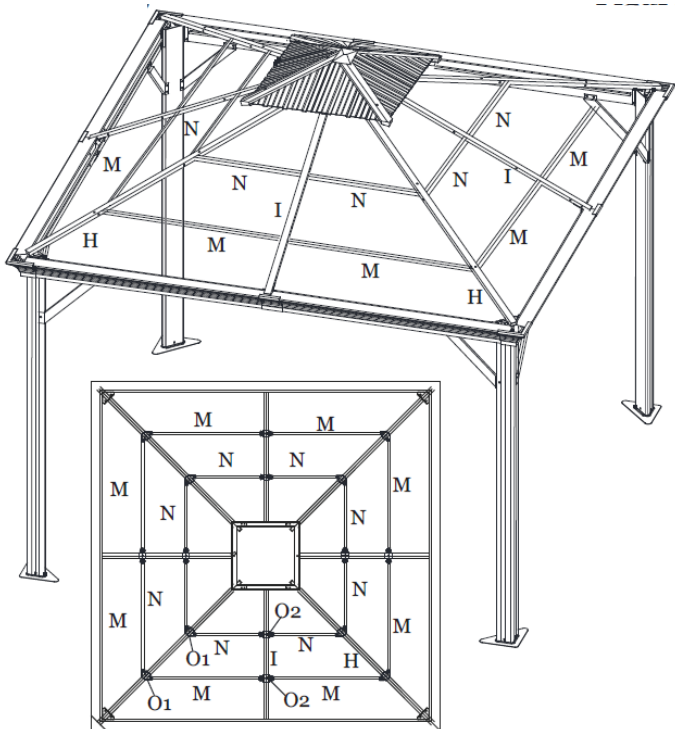
**Figure 12-2**



**Figure 12-3**



**Figure 12-4**



**Figure 12-5**

## **MAIN ROOF PANEL ASSEMBLY**

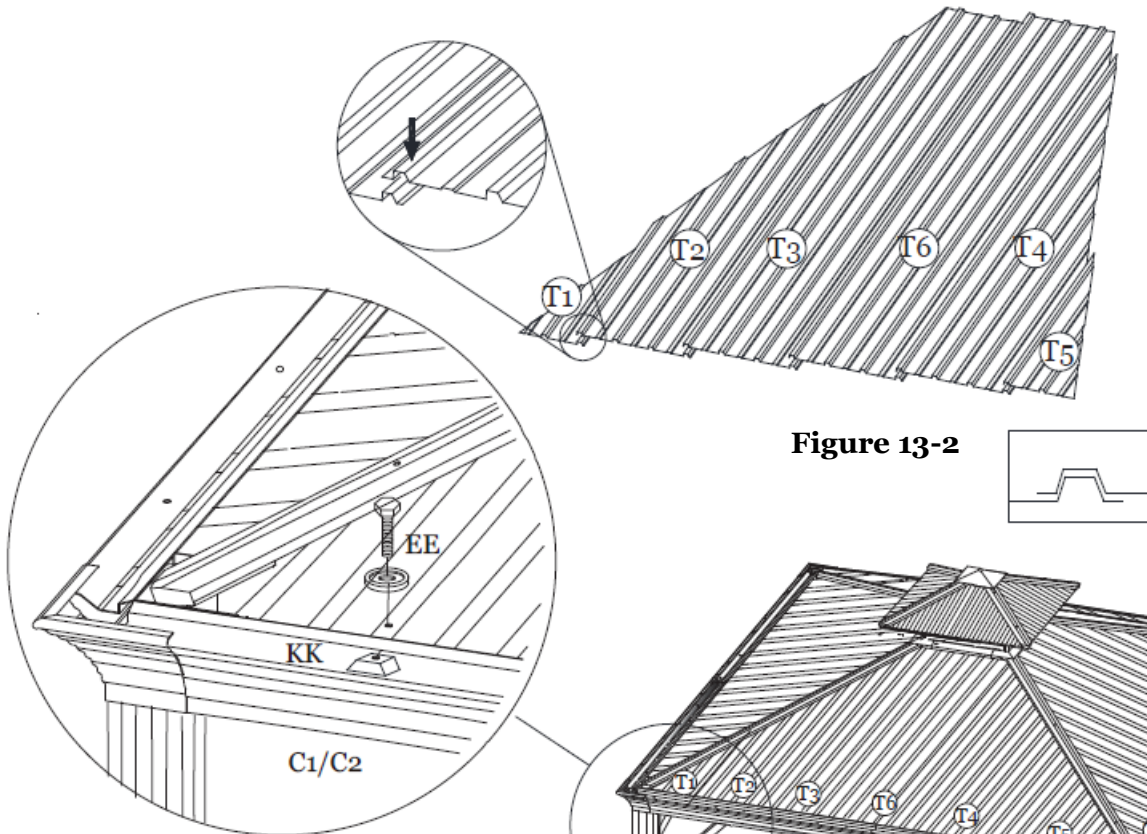
**Note:** Install Main Roof Panels from Left to Right. The Right Panel must overlap the Left Panel. Each Bolt (EE) must be attached to Spacer (KK) on top of lintels. Hand Tighten only until all panels have been installed then tighten all bolts.

**Step 13A:** Attach Main Roof Left Panel (T1) to Lintel (C1 and C2) using Bolt (EE) and Spacer (KK). **Hand Tighten Only.** See Figure 13-1.

**Step 13B:** Attach Main Roof Left Panel (T2) to Lintel (C1 and C2) using Bolt (EE) and Spacer (KK).

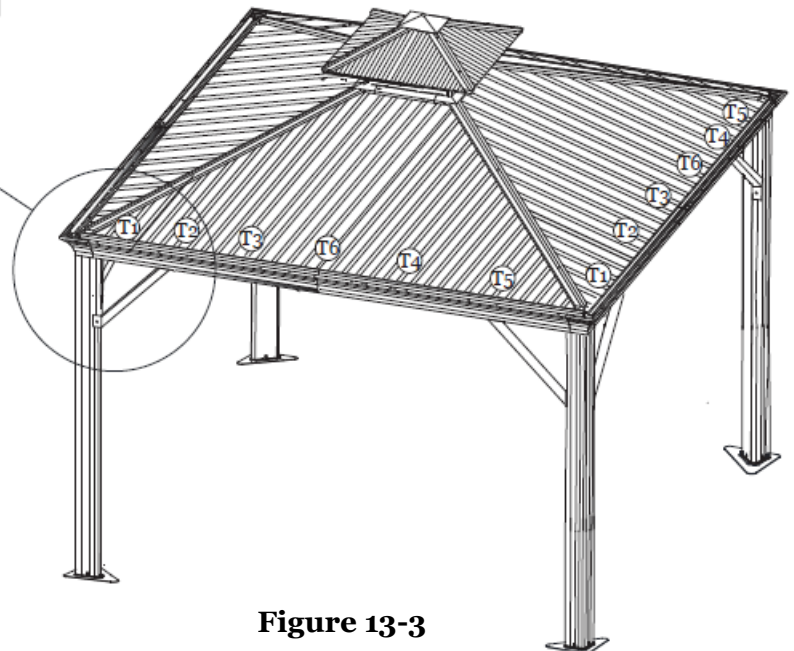
**Note:** Panel (T2) must overlap Panel (T1). Repeat installation and overlapping for Main Roof Panels (T3, T6, T4, and T5) using Bolt (EE) and Spacer (KK). See Figure 13-2.

**Step 13C:** Repeat for opposite sides. **Tighten all Bolts.** See Figure 13-3.



**Figure 13-1**

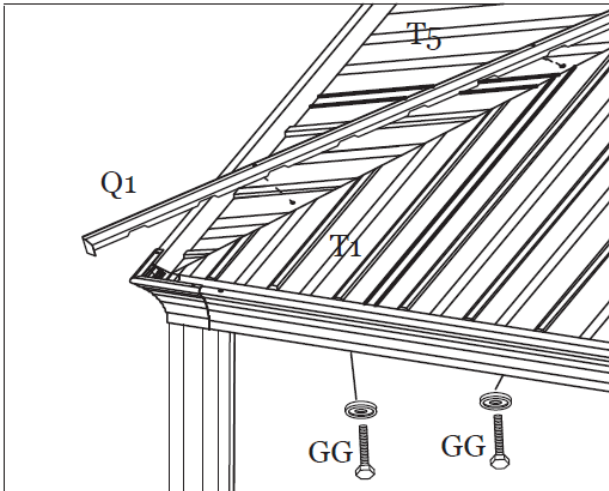
**Figure 13-2**



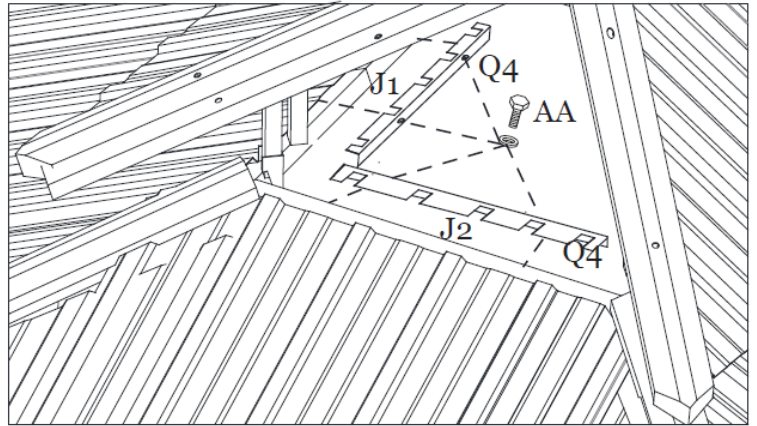
**Figure 13-3**

**Step 14A:** Attach the Main Roof Corner Trim (Q1) to the Main Roof Corner Support (H) using Bolt (GG). Repeat for all corners. See Figure 14-1 and Figure 14-3.

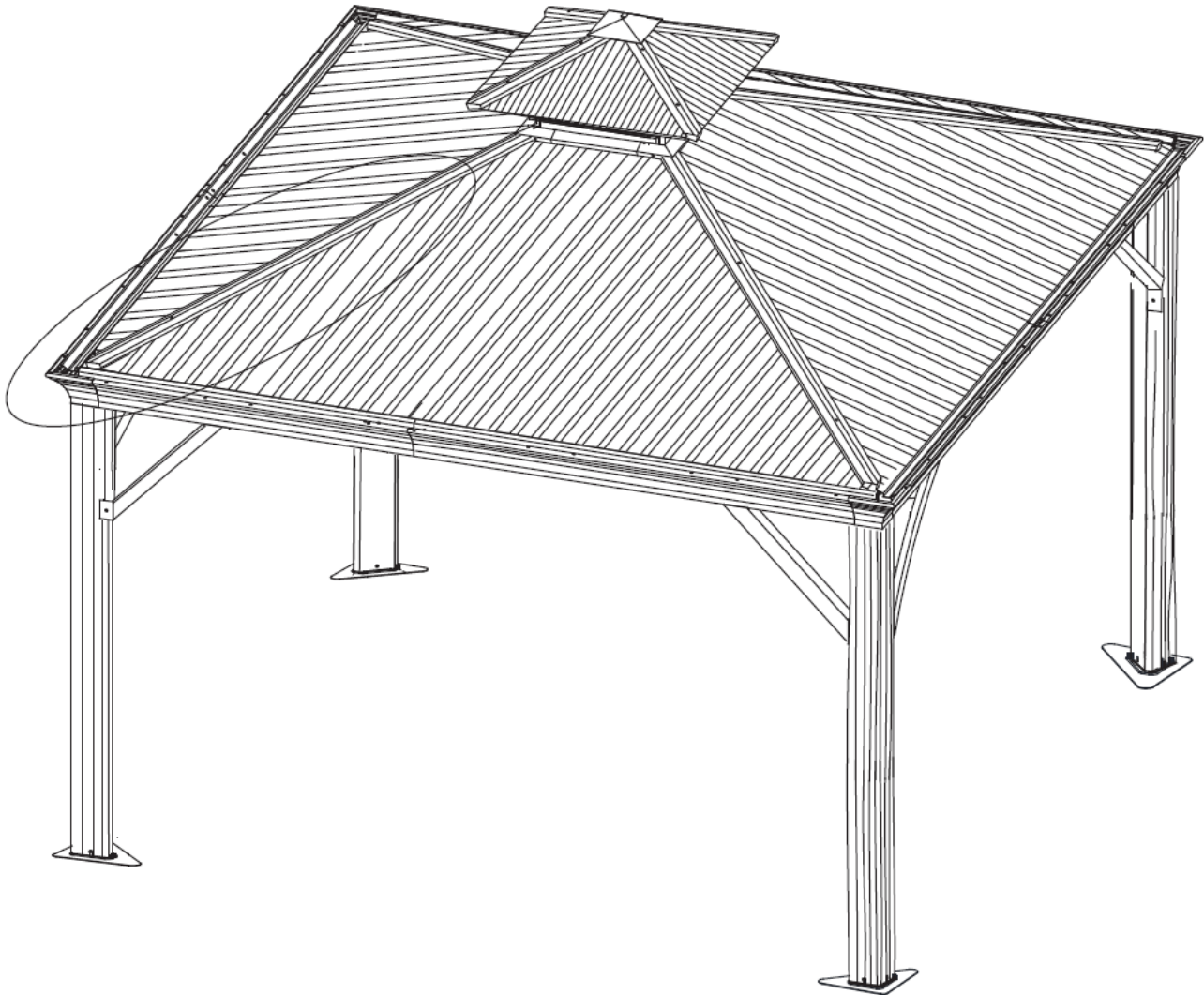
**Step 14B:** Attach the Main Roof Center Frame Trim (Q4) to the Main Roof Center Frame (J1 and J2) using Bolts (AA). Repeat for all sides. **Tighten all Bolts.** See Figure 14-2 and Figure 14-3.



**Figure 14-1**



**Figure 14-2**

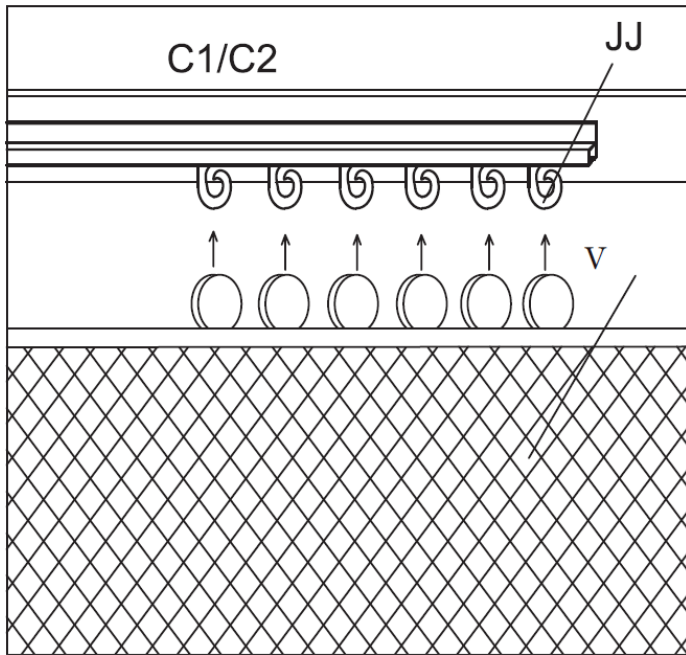


**Figure 14-3**

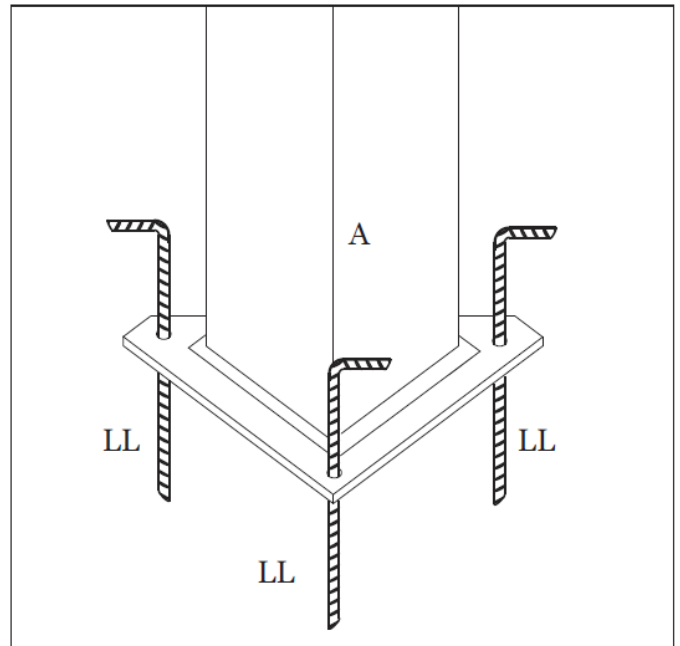


**Step 15A:** Attach the Mosquito Net (V) to the Mosquito Net Hooks (JJ). Repeat for all sides. See Figure 15-1 and Figure 15-3

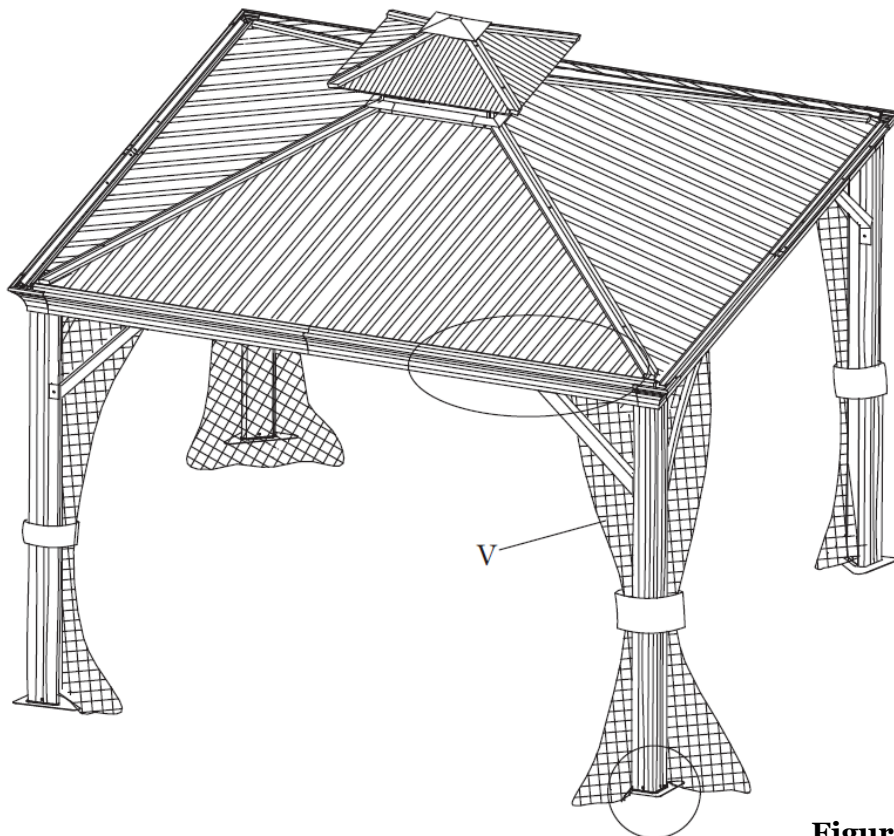
**Step 15B:** Secure the gazebo by inserting the Ground Stakes (LL) into the Base Plates (B). Repeat for all corners. See Figure 15-2 and Figure 15-3.



**Figure 15-1**



**Figure 15-2**



**Figure 15-3**

**Figure 15-2**

**Note: Please see our video for additional assembly assistance:**

<https://shadenshelters.com/12x12-granite-peak-gazebo>

## **Care & Maintenance**

Maintenance is required for the outdoor gazebo/ pergola. Inspect all hardware thoroughly before use and during the season to make sure bolts are securely fastened. Remove canopy and store out of the elements when not in use or during hazardous weather conditions (wind, rain, snow, etc.). Failure to maintain the gazebo/ pergola will void the warranty.

**Frame:** Clean frames with a mild soap and warm water. Do not use abrasive materials, cleaners or bleach. Rinse with clean water and dry thoroughly. Always clean, drain and dry thoroughly before storing for the winter.

**Fabric:** Clean fabric by hand with a mild solution of soap and water. Rinse thoroughly and allow to drip dry. Do not machine wash or tumble dry, as fabric may shrink. Do not use bleach or solvents on fabric.

## **Warranty**

Frame: 5-year limited warranty; original receipt required to obtain warranty service.

Fabric: 1-year limited warranty; original receipt required to obtain warranty service.

**EXCLUSIONS:** Gazebos/ Pergolas used for commercial, contract, or other non-residential purposes. Damage, corrosion, rusting due to acts of nature, vandalism, misuse, improper assembly or maintenance. Discoloration, fading and mildew of fabric.

**LIMITED WARRANTY:** The manufacturer will replace any part found to be defective in material or workmanship within 30 days of purchase date. The purchaser must contact the manufacturer's customer service department. After 30 days of purchase date the warranty is limited. The manufacturer, at its option, will repair or replace the parts. Proof of purchase (dated register receipt) and photos are required for all warranty claims. It remains the customer's responsibility to pay for freight and packaging charges to and from the service center. Warranty is to the original purchaser and is non-transferable. Any replacement or warranted items will be in the original style and color, or similar style and color if the original is unavailable or has been discontinued.

Please contact our Customer Service for assembly assistance or missing/damaged parts. Do not return to the store without authorization.

## **Accessories**

Privacy Curtains, Winter Covers, Winter Support Poles, and Replacement Mosquito Netting are available for select items. Please visit your retailer's website or <https://shadenshelters.com/> for more information.

## **Customer Service Contact Information**

Hours: Monday - Friday 8:00 a.m. - 5:00 p.m. Central Time (CT)

Phone: 1-888-607-4417

Email: [service@shadenshelters.com](mailto:service@shadenshelters.com)