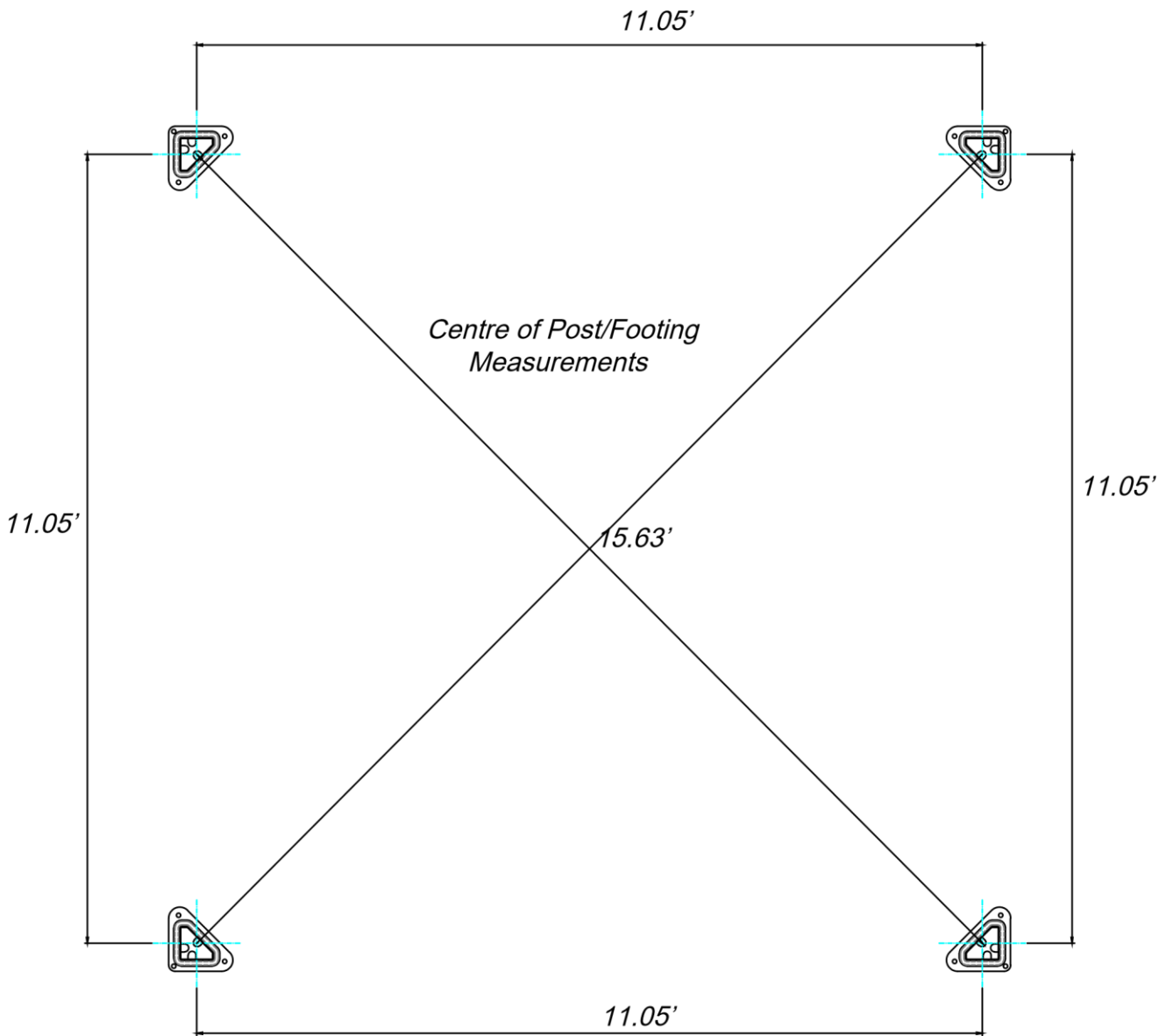
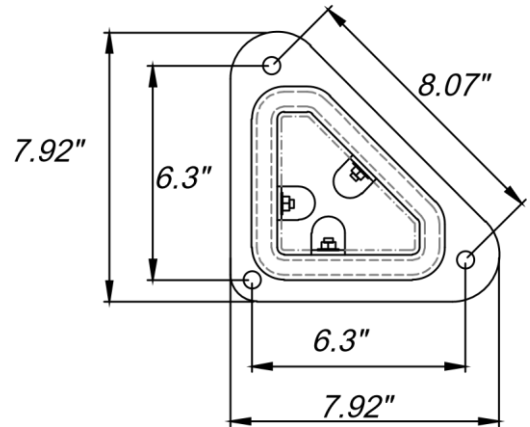
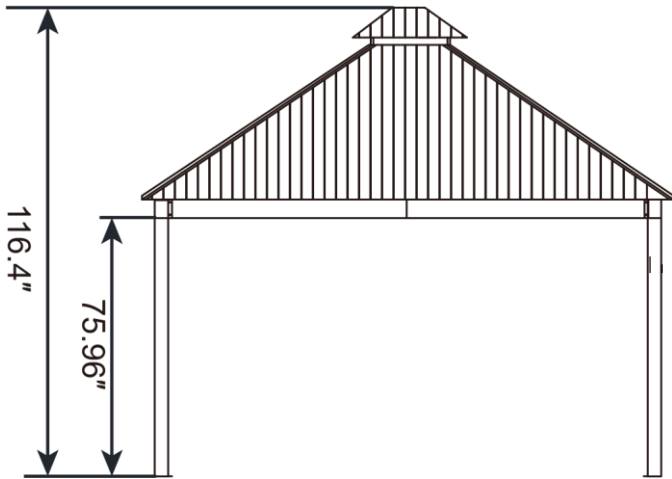
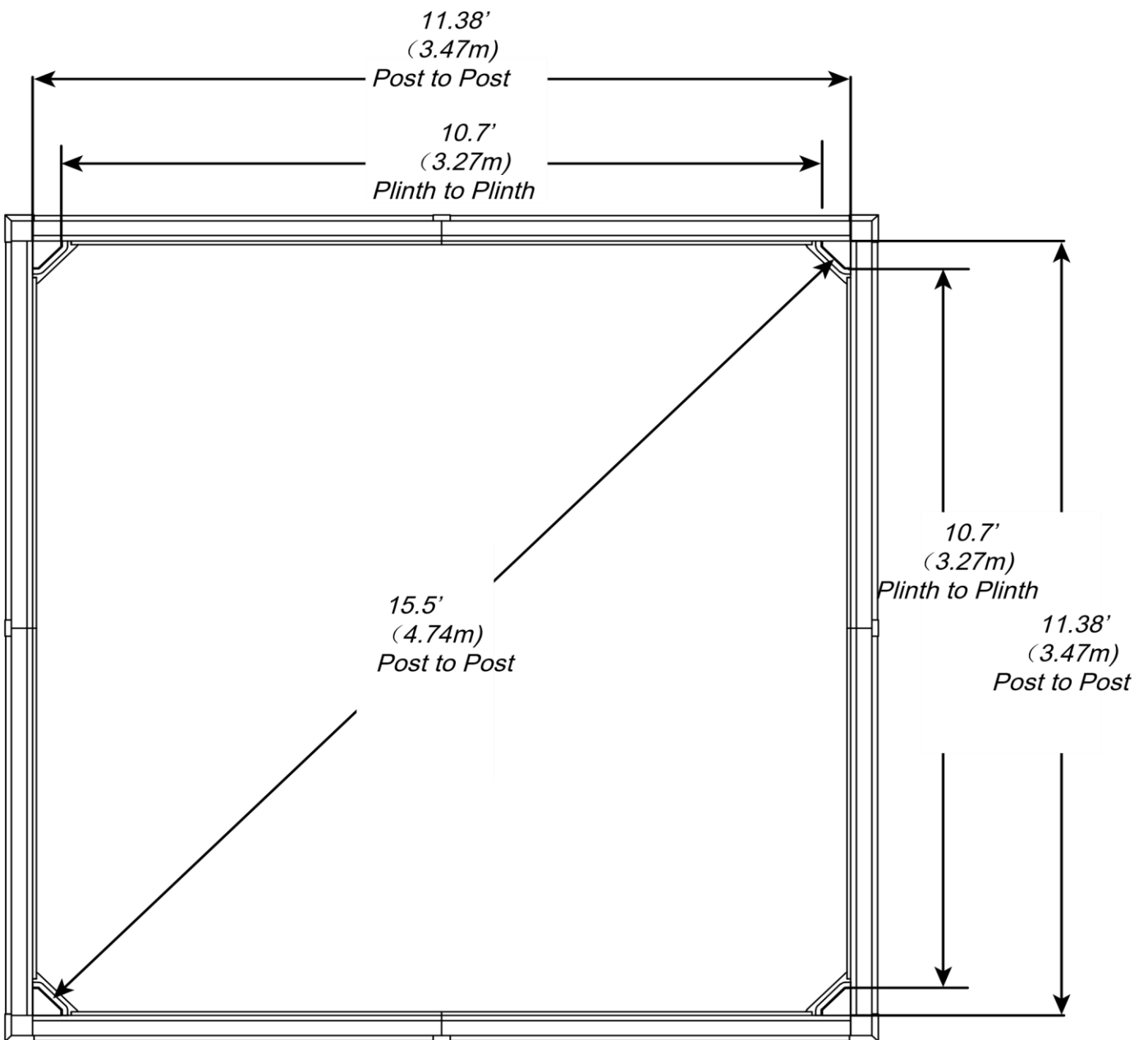
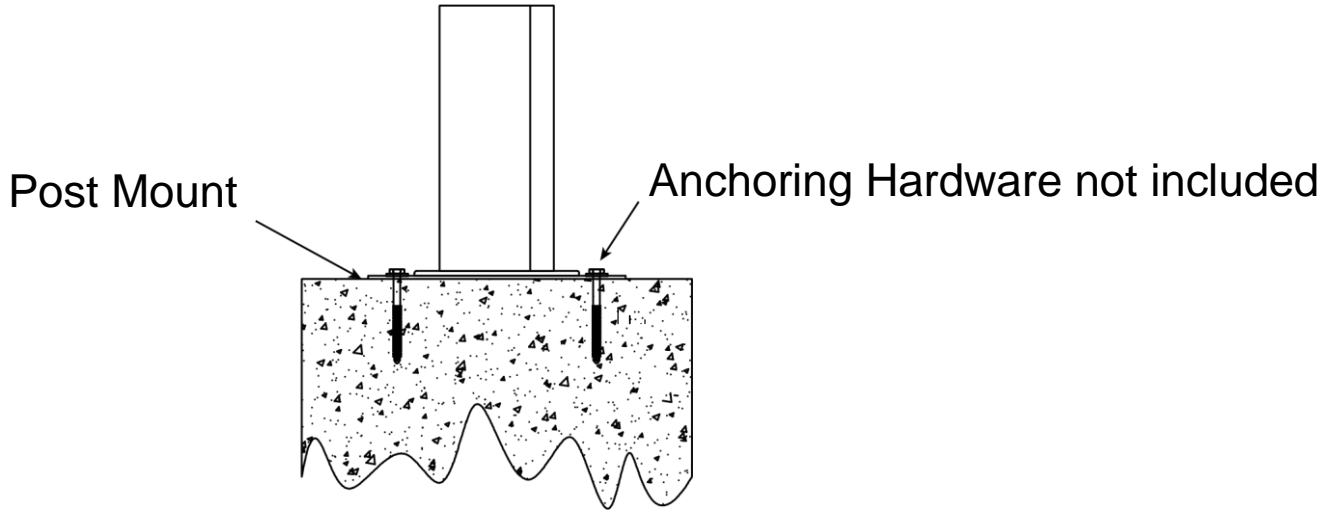


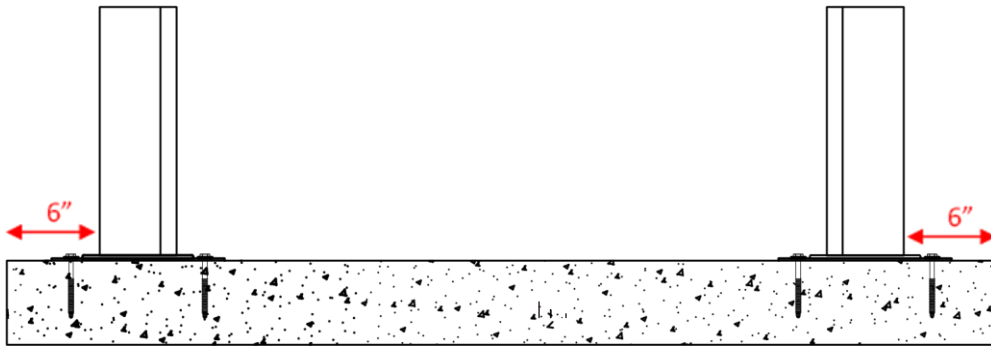
Granite Peak 12'x12' Gazebo



Concrete Footer



Concrete Patio Slap [min. 12' x 12' (3.66 m x 3.66m)] with 6' (1.83 m) clearance on all sides



Wood Deck Area [min. 12' x 12' (3.66 m x 3.66m)] with 6' (1.83 m) clearance on all sides

