

# Shade N' Shelters

## Owner's Manual

### Granite Peak

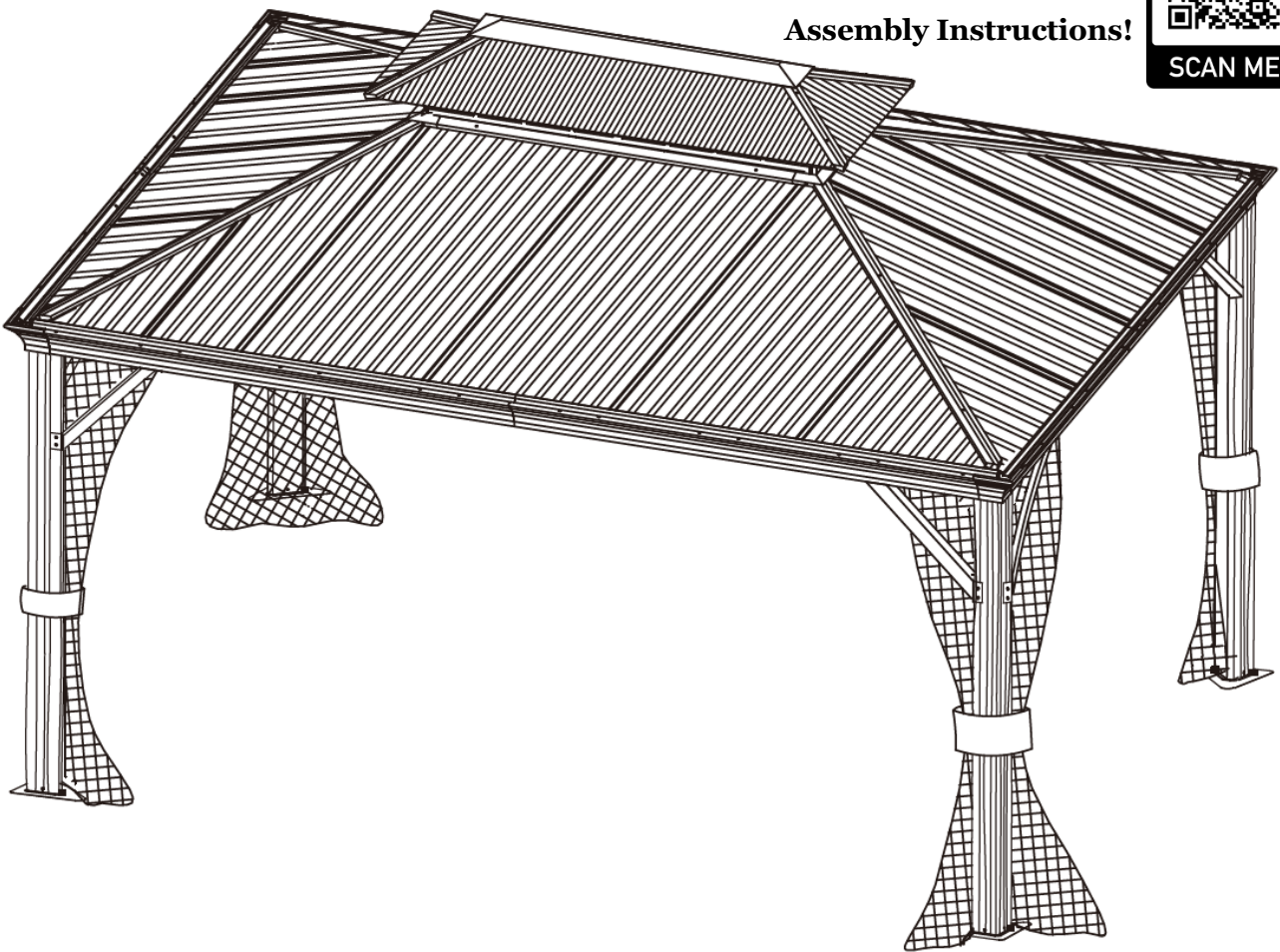
### 10' x 12' Hard Top Gazebo

Model Number: GP/GAZ12-2

SKU Number: 101642583

Scan For Video

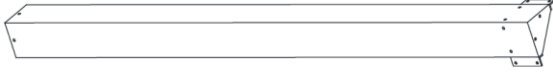








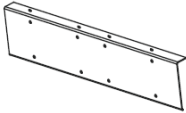

Assembly Instructions!


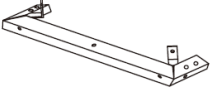









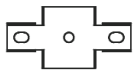













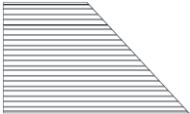
Note: This gazebo is designed to be used as a permanent fixture.





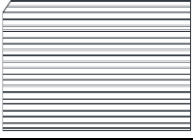
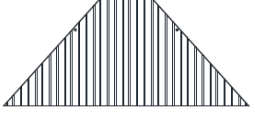


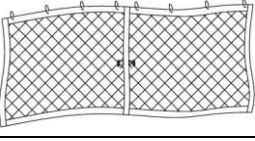
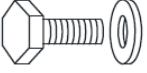
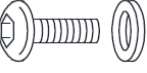
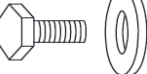
# Parts List



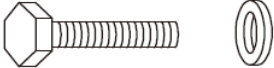
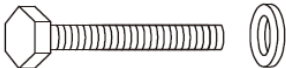
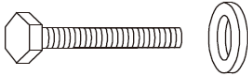
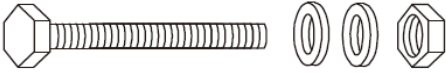

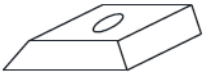



## Granite Peak 10' x 12' Hard Top Gazebo

Letter	Illustration	Description	Qty.
A		Corner Post	4
B		Corner Post Base Plate	4
C1		Short Lintel	2
C2		Short Lintel	2
D1		Long Lintel	2
D2		Long Lintel	2
E		Lintel Corner Support Bar	8
F		Lintel Bracket	6
G1		Lintel Connector - Small	2
G2		Lintel Connector - Large	4
H		Main Roof Corner Support	4

Letter	Illustration	Description	Qty.
I		Main Roof Vertical Center Support	6
J1		Main Roof Center Frame – Short Connector	2
J2		Main Roof Center Frame - Long Connector	2
K1		Roof Vent - Corner Supports	4
K2		Roof Vent - Center Support	1
K3		Roof Vent Hook	1
L		Roof Vent - Top Trim	1
M		Main Roof – Lower Horizontal Support	8
N		Main Roof – Upper Horizontal Support	8
O		Main Roof – Center Horizontal Support	4
O1		Main Roof Connector - Corner	8
O2		Main Roof Connector - Center	12

Letter	Illustration	Description	Qty.
P1		Roof Vent Frame - Short Sides	2
P2		Roof Vent Frame - Long Sides	2
Q1		Main Roof Corner Trim	4
Q2		Roof Vent Corner Trim	4
Q3		Main Roof Center Frame Trim - Short Sides	4
Q4		Main Roof Center Frame Trim - Long Sides	2
R1		Roof Vent Side Trim - Long Sides	2
R2		Roof Vent Side Trim - Short Sides	2
S1		Lintel Cover - Corner	4
S2		Lintel Cover - Center	4
T1		Main Roof Panel - Left Corner	4
T2		Main Roof Panel - Left Side	4

Letter	Illustration	Description	Qty.
T3		Main Roof Panel - Center	2
T4		Main Roof Panel - Right Side	4
T5		Main Roof Panel - Right Corner	4
T6		Main Roof Panel - Left Center	2
T7		Main Roof Panel - Right Center	2
U1		Roof Vent Panel - Short Side	2
U2		Roof Vent Panel - Long Side (Left)	2
U3		Roof Vent Panel - Long Side (Right)	2
V		Mosquito Netting	4
AA		M6 x 15mm Bolt with Steel Washer	220
BB		M8 x 15mm Bolt with Steel Washer	48
CC		M6 x 15mm Bolt with Plastic Washer	12

Letter	Illustration	Description	Qty.
DD		M6 x 15mm Bolt	16
EE		M6 x 25mm Bolt with Plastic Washer	26
FF		M6 x 35mm Bolt with Plastic Washer	8
GG		M6 x 40mm Bolt with Flat Washer	8
HH		M6 x 50mm Bolt with Plastic Washer	2
II		M6 x 55mm Bolt with Flat Washer & Nut	4
JJ		Mosquito Netting Hook	44
KK		Spacer	26
LL		Ground Stake	12
MM		M8 Allen Wrench	1
NN		M6 Hex Wrench	2

# Assembly Instructions

## Granite Peak 10' x 12' Hard Top Gazebo

Note: For video instructions please visit:

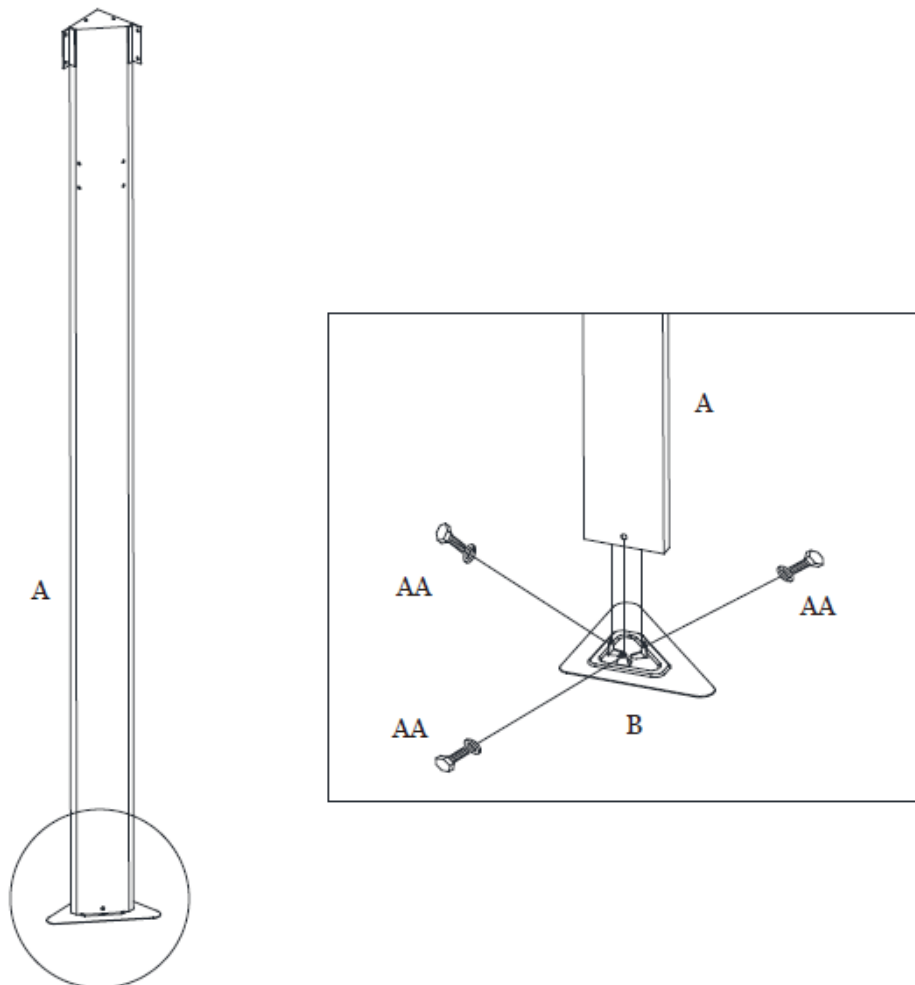
<https://shadenshelters.com/10x12-granite-peak-gazebo>

### Important:

- Read all the instructions before assembly. Failure to do so may result in faulty assembly and potential injury.
- Before assembling the product, remove all protective materials, hardware kit(s), and identify all parts packed in the carton are present. (Note: If any part is missing or damaged, do not attempt to assemble). Contact Shade N' Shelters Customer Support. See page 23.
- Assemble on a stable level surface to avoid damage to gazebo and possible injury.
- Two people are required to assemble this product.
- Gazebo dimensions are measured from roof corner to roof corner.

**WARNING: DO NOT TIGHTEN BOLTS UNTIL NOTED AFTER EACH STEP!**

**Step 1:** Connect Corner Post Base Plate (B) to Corner Post (A) using Bolt (AA). Repeat for all Corner Posts and Base Plates. **Tighten all Bolts.** See Figure 1.



**Figure 1**

**Step 2A:** Insert twelve Mosquito Netting Hooks (JJ) into the channel of each Long Lintel (D2). See Figure 2-1.

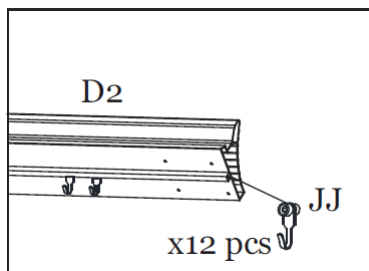
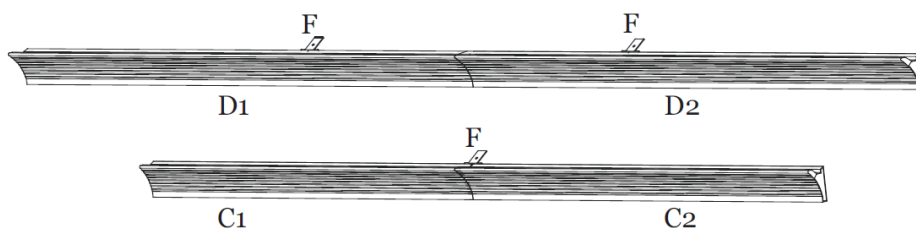
**Step 2B:** Attach Lintel Connector (G1) to Long Lintel (D2) using Bolt (AA). Attach Lintel Connector (G2) to Long Lintel (D2) using Bolts (BB). See Figure 2-2

**Step 2C:** Attach Long Lintel (D1) to Lintel Connector (G2) using Bolts (BB). Attach Lintel Brackets (F) to Long Lintel (D1 and D2) using Bolts (AA). **Tighten all Bolts.** Repeat Step 2A to 2C for remaining Long Lintels (D1 and D2). See Figure 2-3.

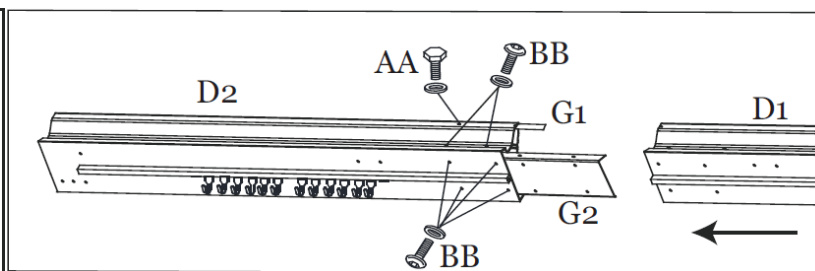
**Step 2D:** Insert ten Mosquito Netting Hooks (JJ) into the channel of each Short Lintel C2. See Figure 2-4.

**Step 2E:** Attach Short Lintel (C2) to Lintel Connector (G2) using Bolts (BB). Attach Short Lintel (C1) to Lintel Connector (G2) using Bolts (BB). **Note:** Leave 1 Bolt Hole open on both Short Lintels (C1 and C2) for Step 2F. See Figures 2-5 and 2-6.

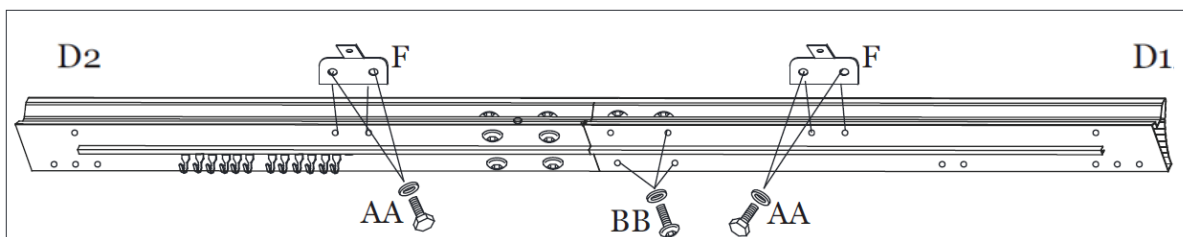
**Step 2F:** Attach Lintel Bracket (F) to Short Lintels (C1 and C2) using Bolts (BB). **Tighten all Bolts.** See Figure 2-6. Repeat Step 2D to 2F for remaining Short Lintels (C1 and C2).



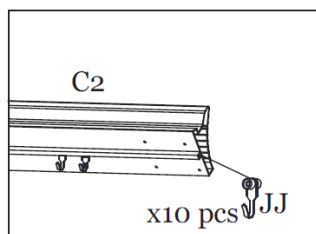
**Figure 2-1**



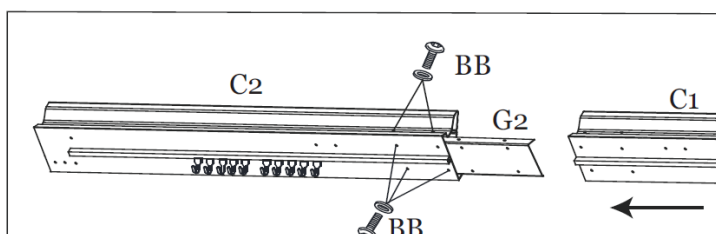
**Figure 2-2**



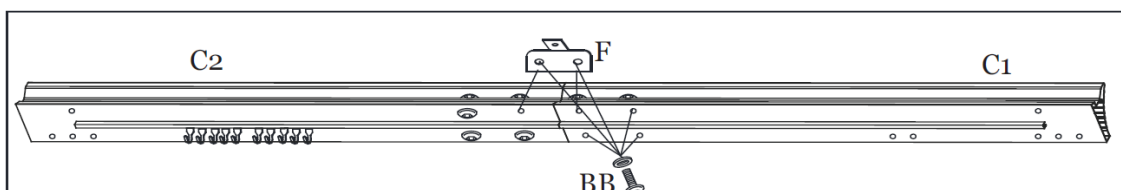
**Figure 2-3**



**Figure 2-4**



**Figure 2-5**

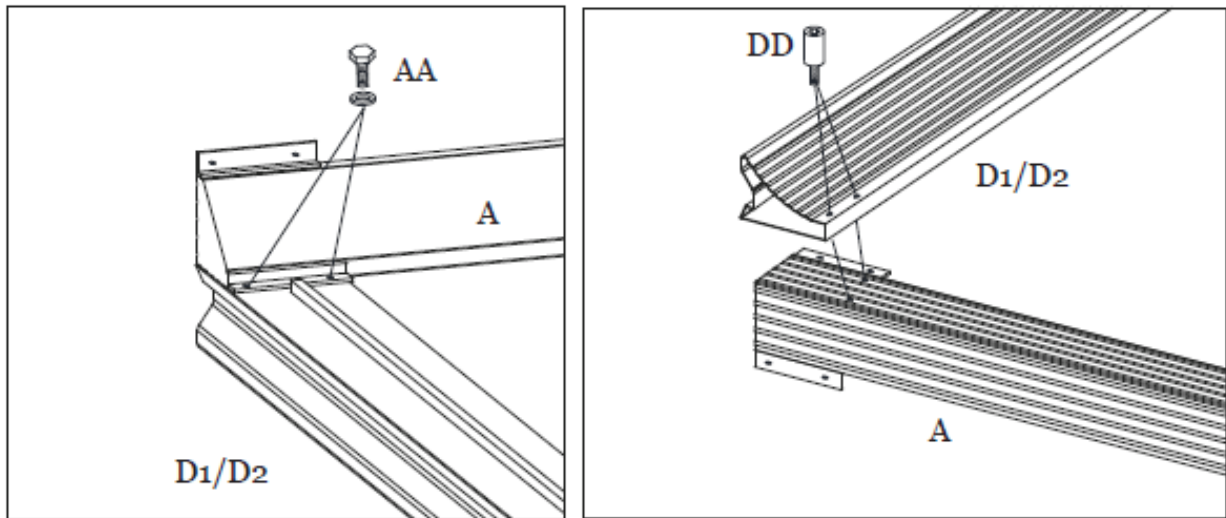


**Figure 2-6**

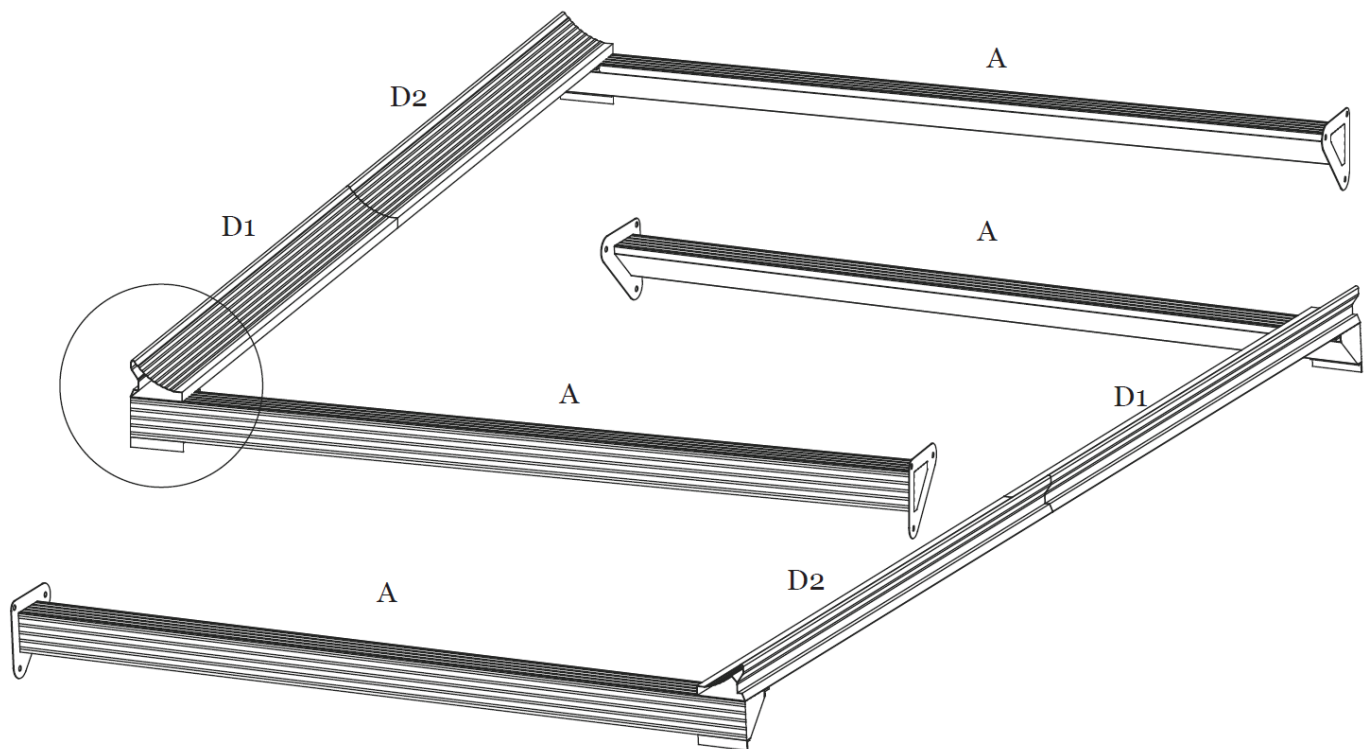


**Step 3A:** Attach Corner Posts (A) to end of Long Lintels (D1 and D2) first with Bolts (AA) then with Bolts (DD). **Tighten all Bolts.** See Figure 3-1.

**Step 3B:** Repeat for opposite side Long Lintels (D1 and D2) and Corner Posts (A). See Figure 3-2.



**Figure 3-1**



**Figure 3-2**

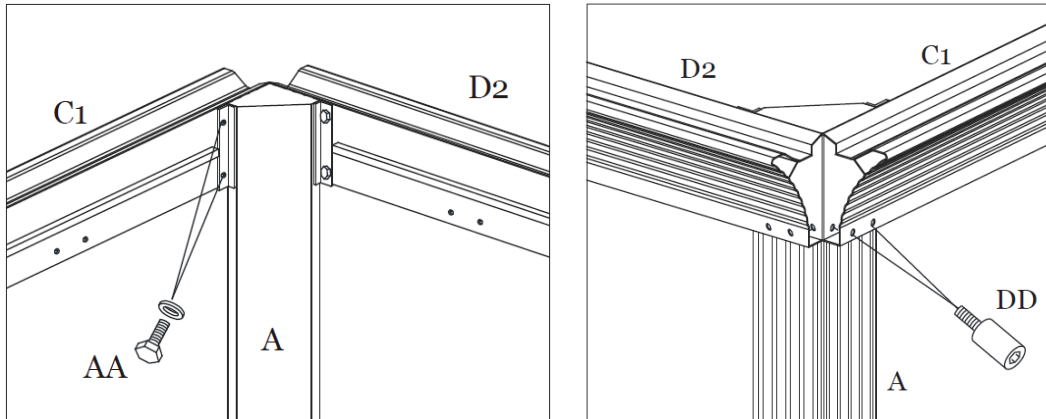
**Step 4A:** Attach Corner Posts (A) to Short Lintel (C1 and C2) first with Bolts (AA) then with Bolts (DD).

Repeat for opposite side Short Lintels (C1 and C2). See Figure 4-1.

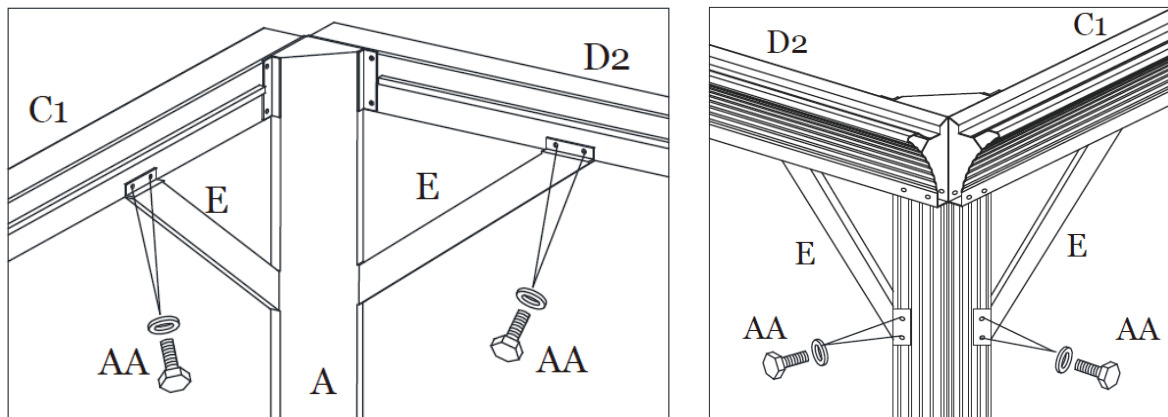
**Step 4B:** Attach Support Bars (E) to Lintels (C1 and D2) and Corner Post (A) with Bolts (AA).

See Figure 4-2.

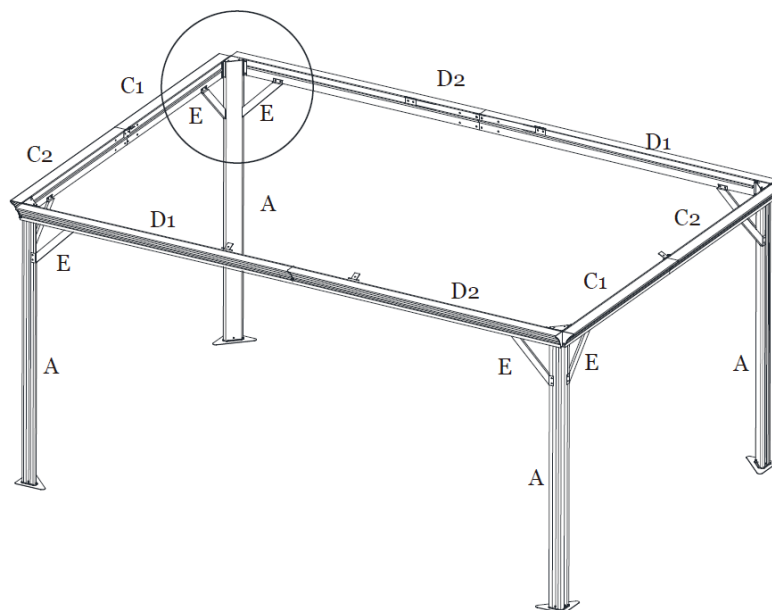
**Step 4C:** Repeat for all Corner Posts and Lintels. **Tighten all Bolts.** See Figure 4-3.



**Figure 4-1**



**Figure 4-2**

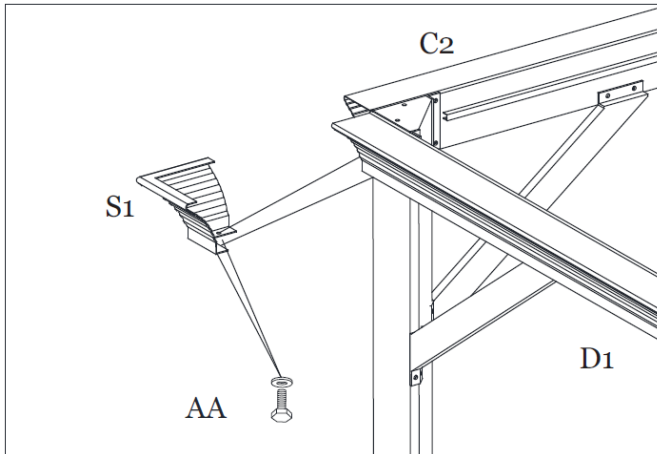


**Figure 4-3**

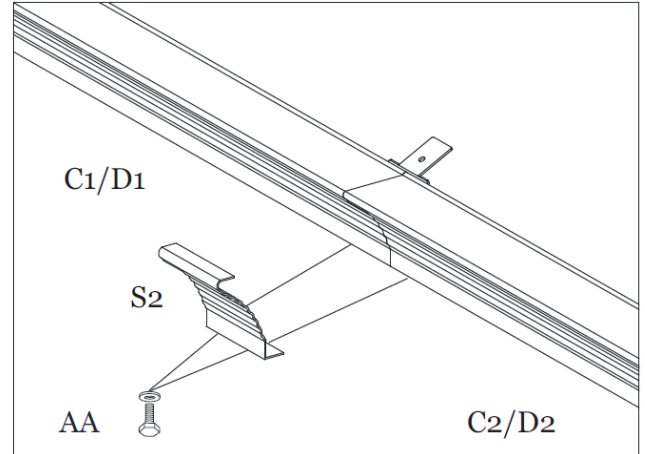
**Step 5A:** Attach Corner Lintel Cover (S1) to Long Lintel (D1) and Short Lintel (C2) with Bolts (AA). Repeat for all corners. **Tighten all Bolts.** See Figure 5-1.

**Step 5B:** Attach Center Lintel Cover (S2) to Long Lintels (D1 and D2) and Short Lintels (C1 and C2). **Tighten all Bolts.** See Figure 5-2.

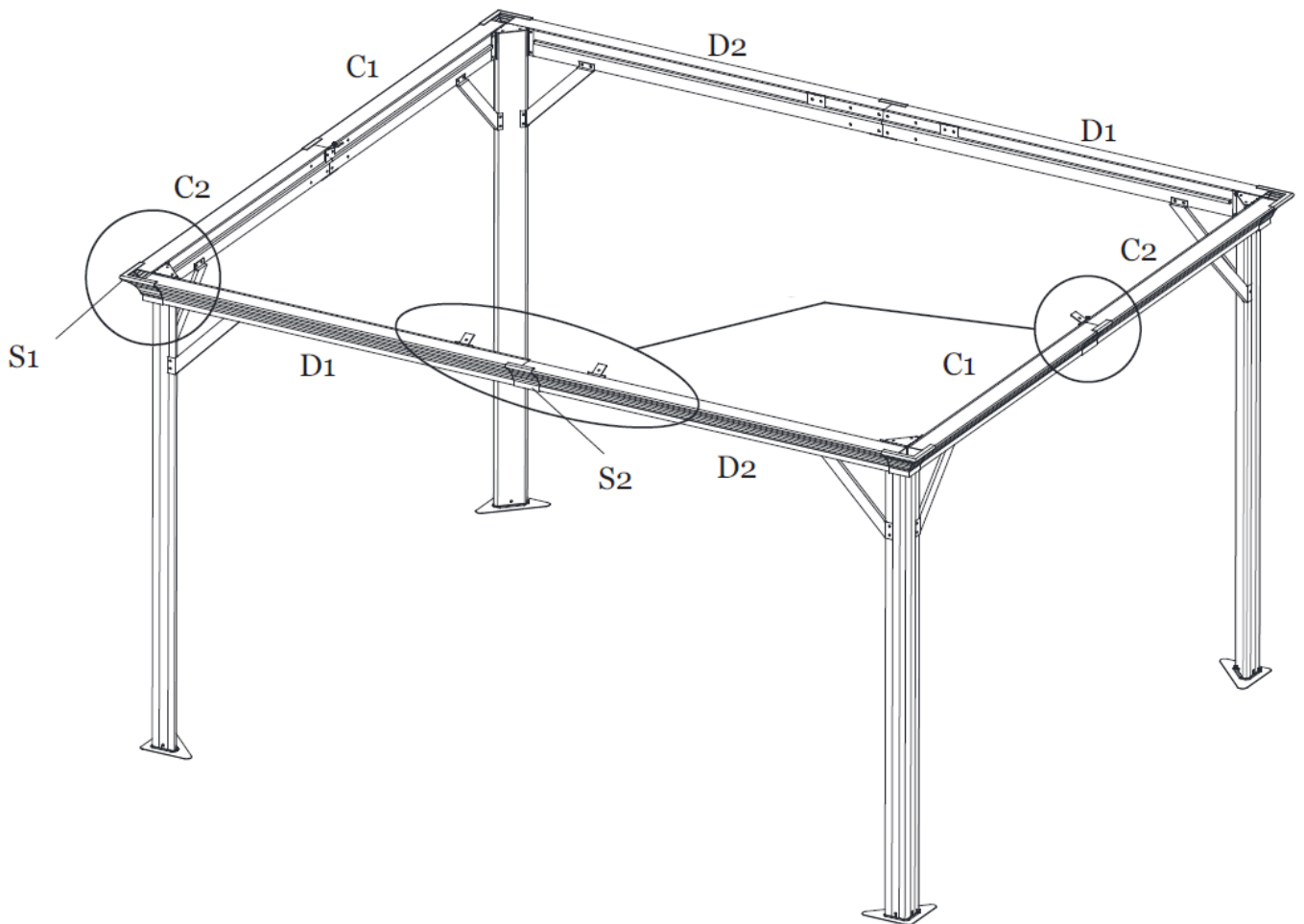
**Step 5C:** Repeat for opposite sides. **Tighten all Bolts.** See Figure 5-3.



**Figure 5-1**



**Figure 5-2**

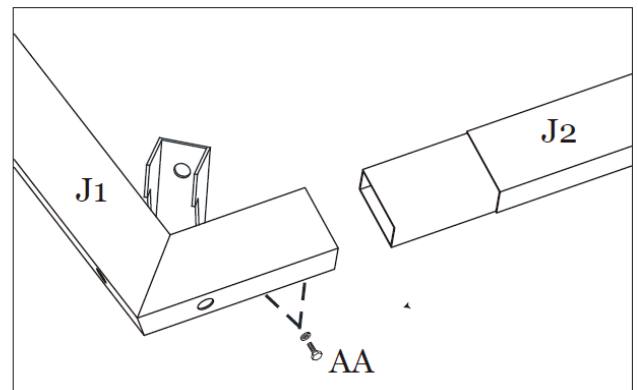
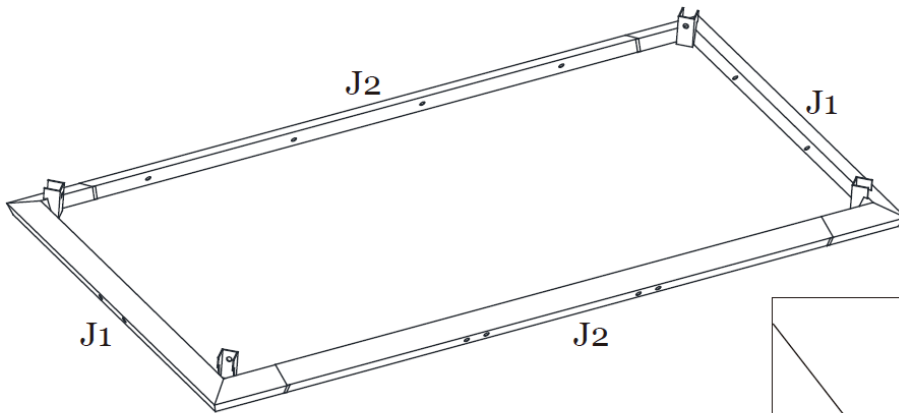


**Figure 5-3**

**Step 6A:** Assemble the Main Roof Center Frame by inserting the Long Connector (J2) into the Short Connector (J1) and attach with Bolts (AA). See Figure 6-1.

**Step 6B:** Repeat for opposite sides and ends. **Tighten all Bolts.** See Figure 6-2.

**Figure 6-2**



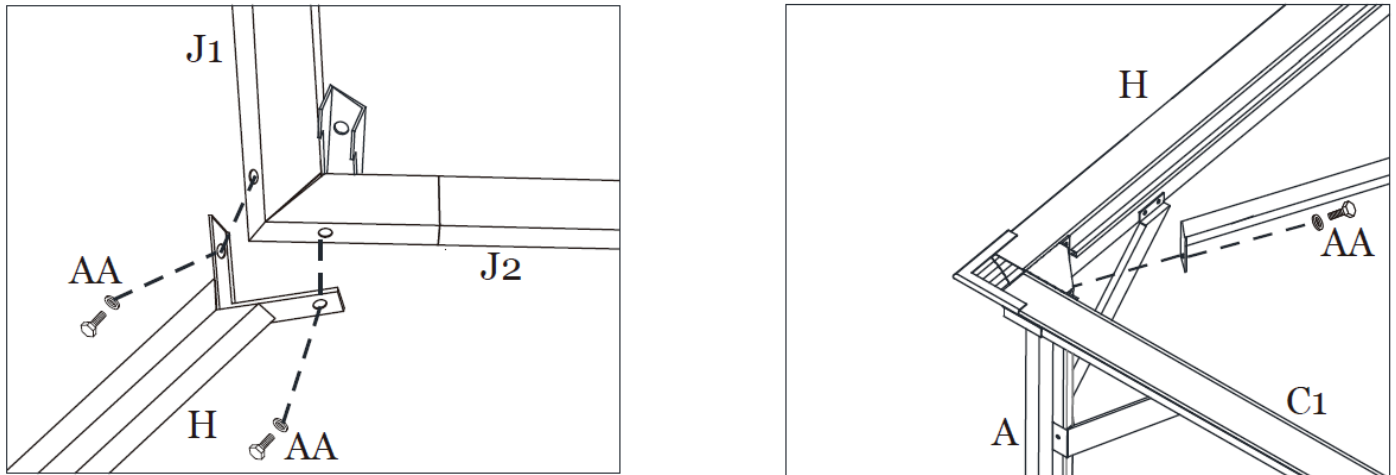
**Figure 6-1**

**Step 7A:** Assemble the Main Roof Corner Supports (H) to the Short Connector (J1) on the Main Roof Center Frame and then to the Corner Posts (A) using Bolts (AA). See Figure 7-1.

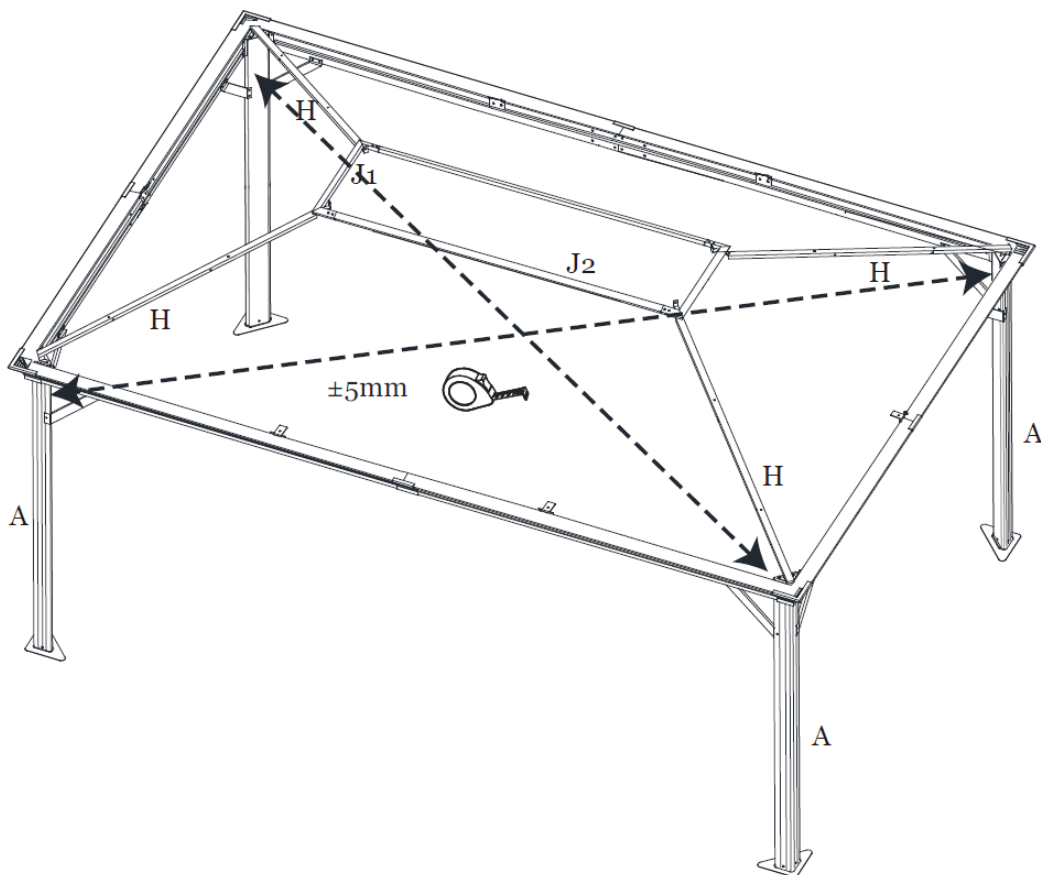
**Note:** You will need a second person to hold the Main Roof Center Frame while attaching the Main Roof Corner Supports (H).

**Step 7B:** Repeat for all corners and **Tighten all Bolts.**

**Note:** Diagonal measurements from corner to corner must be within 5mm of the same distance. See Figure 7-2.



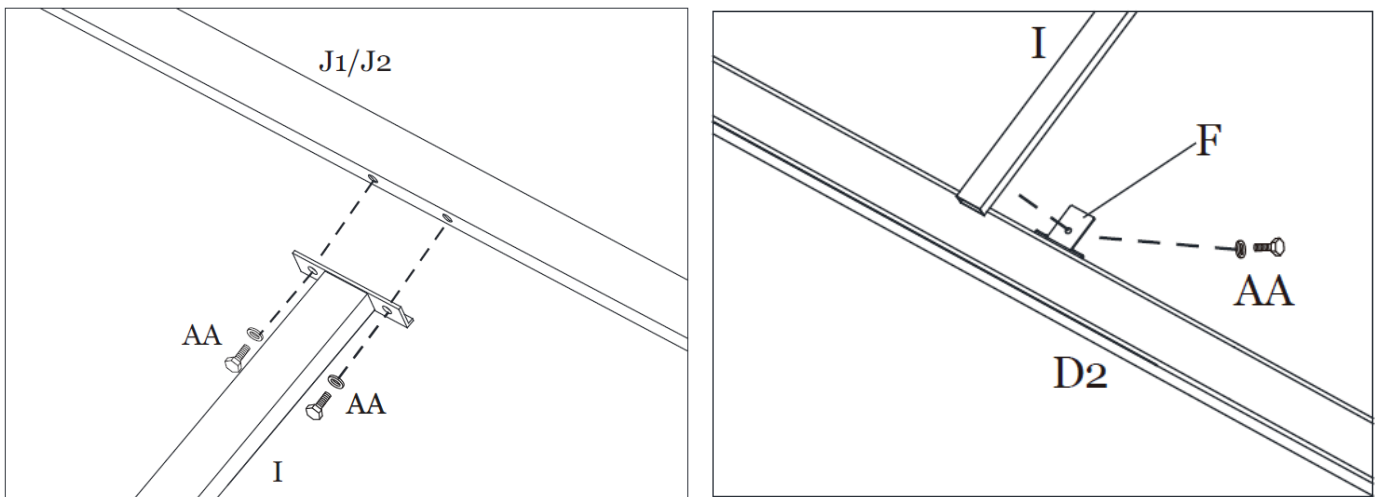
**Figure 7-1**



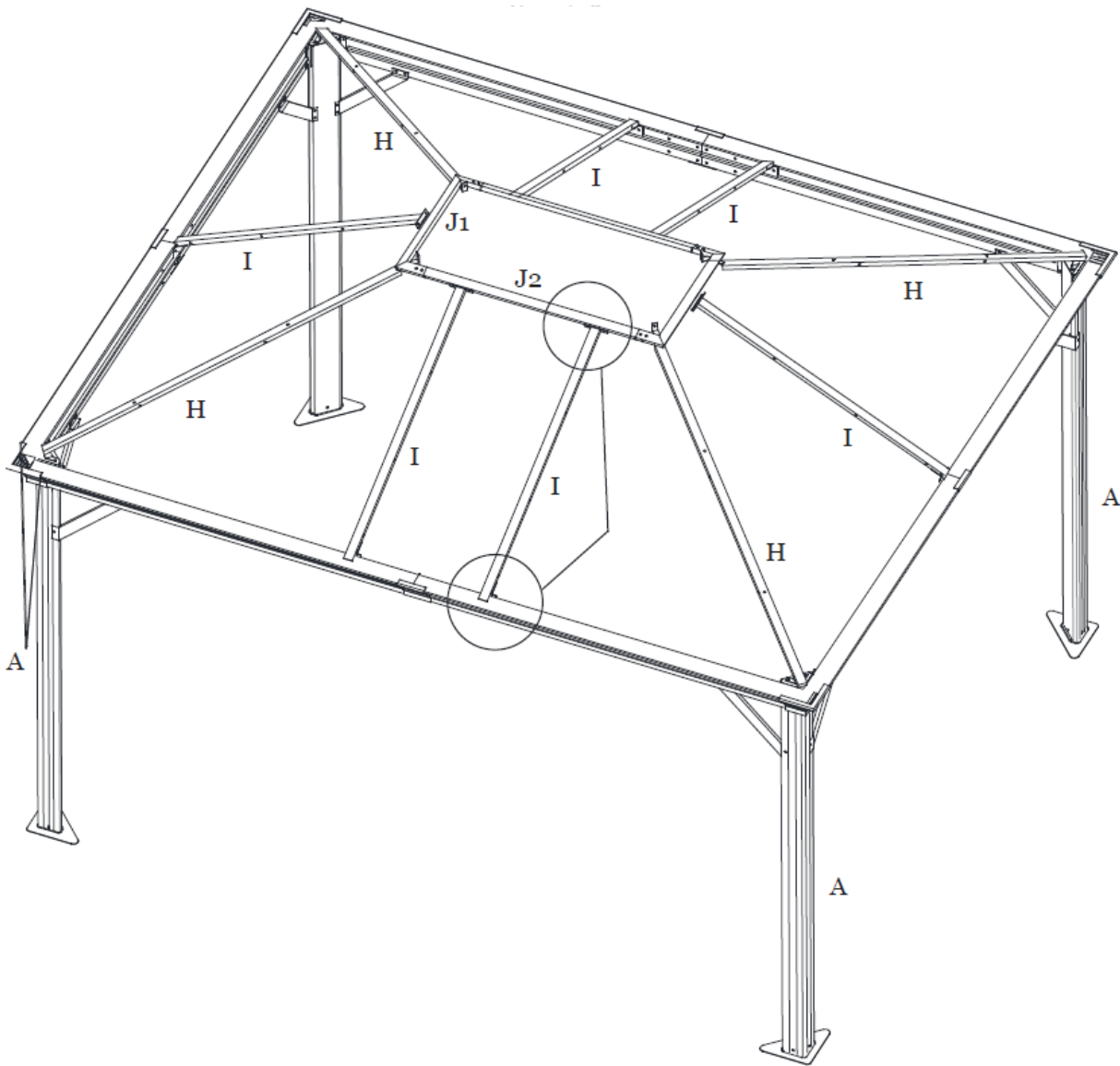
**Figure 7-2**

**Step 7C:** Attach the Main Roof Vertical Center Supports (I) to the Main Roof Center Frame (J1 and J2) and the Lintel Brackets (F) using Bolts (AA). **Hand Tighten Only.** See Figure 7-3.

**Step 7D:** Repeat for each side. **Tighten all Bolts.** See Figure 7-4



**Figure 7-3**



**Figure 7-4**

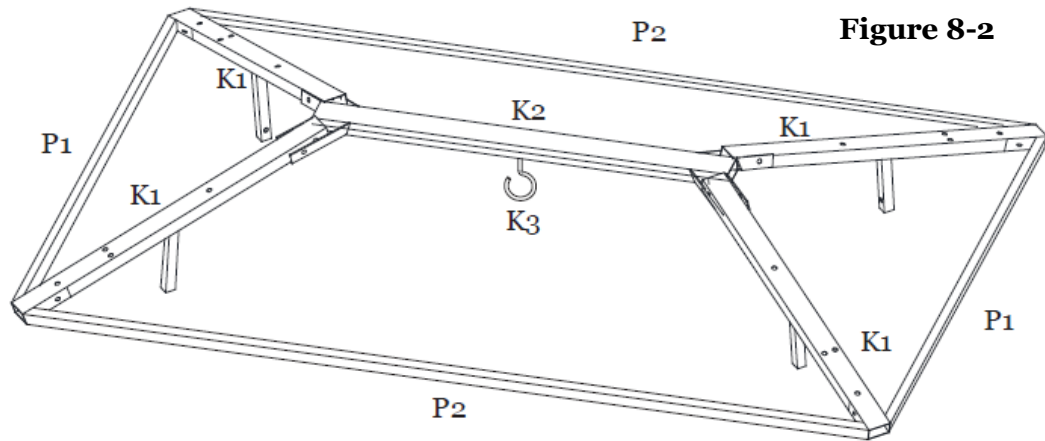
**Step 8A:** Assemble the Roof Vent Frame by attaching Roof Vent Corner Support (K1) to Roof Vent Center Support (K2) with Bolts (II). See Figure 8-1.

**Step 8B:** Repeat for all corners. See Figure 8-2.

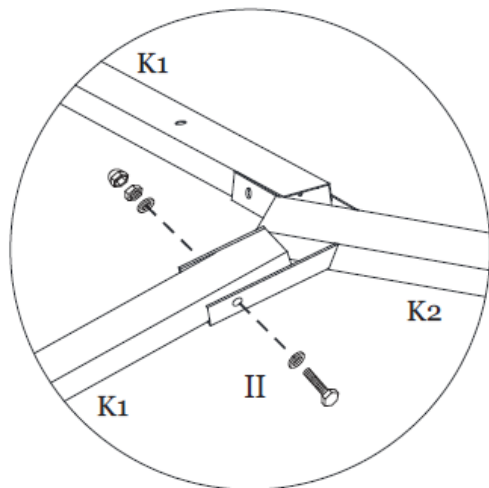
**Step 8C:** Attach Roof Vent Hook (K3) to Roof Vent Center Support (K2). See Figure 8-3.

**Step 8D:** Attach the sides of the Roof Vent Frame by connecting the Short Side (P1) and Long Side (P2) to the Roof Vent Corner Support (K1) using Bolts (AA). See Figure 8-4.

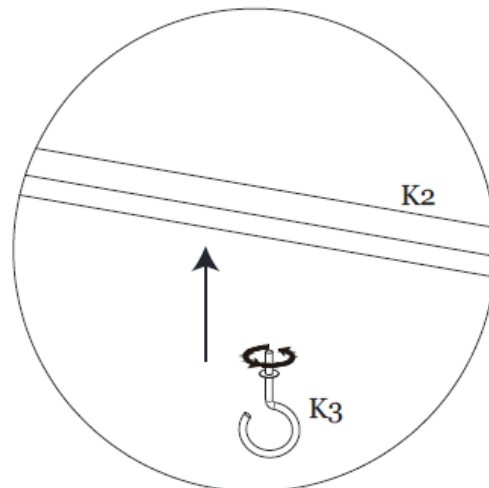
**Step 8E:** Repeat for all sides. **Tighten all Bolts.** See Figure 8-2.



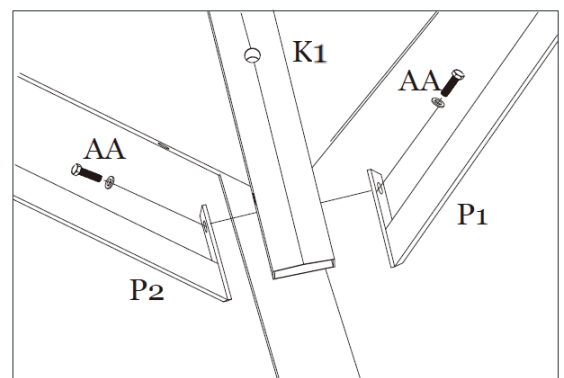
**Figure 8-2**



**Figure 8-1**



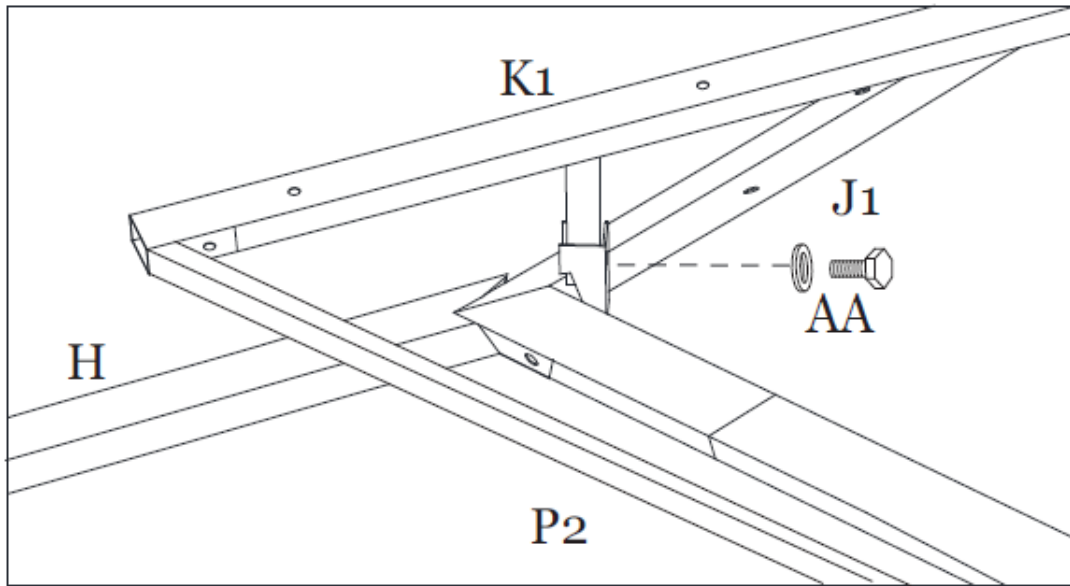
**Figure 8-3**



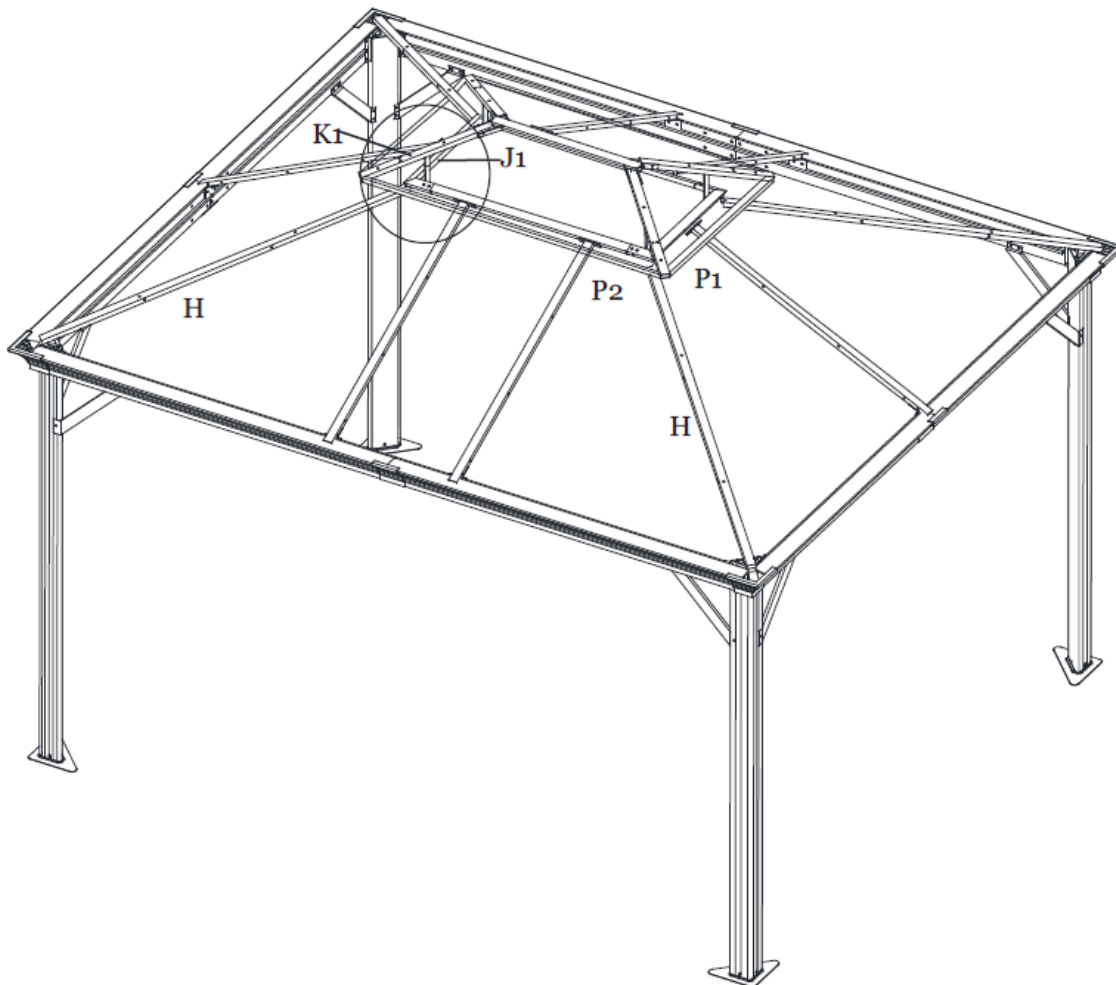
**Figure 8-4**

**Step 9A:** Secure the Roof Vent Frame to the Main Roof Center Frame by inserting the Roof Vent Corner Supports (K1) into the post on the Short Connector (J1) of the Main Roof Center Frame and attach using Bolts (AA). See Figure 9-1.

**Step 9B:** Repeat for all corners. **Tighten all Bolts.** See Figure 9-2.



**Figure 9-1**



**Figure 9-2**



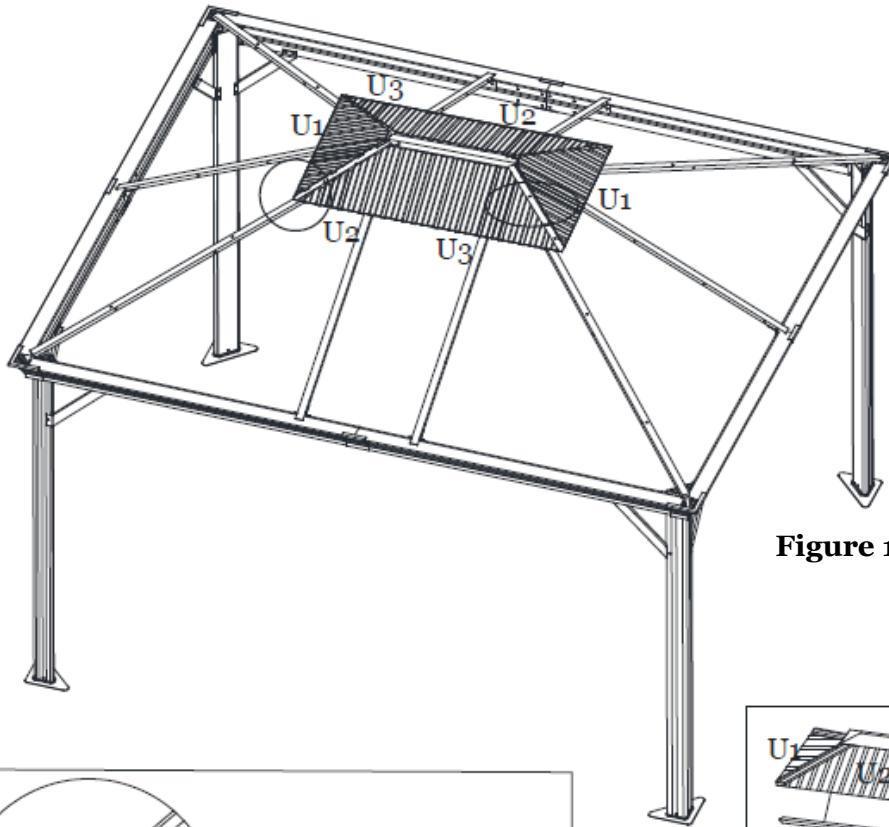
**Step 10A:** Assemble Roof Vent Panels by placing Left Roof Vent Panel (U2) on the Roof Vent Frame then placing the Right Roof Vent Panel (U3) on the Roof Vent Frame and secure to Long Side of the Roof Vent Frame (P2) using Bolt (CC).

**Note: The Right Roof Vent Panel (U3) must overlap the Left Roof Vent Panel (U2).**  
See Figure 10-1.

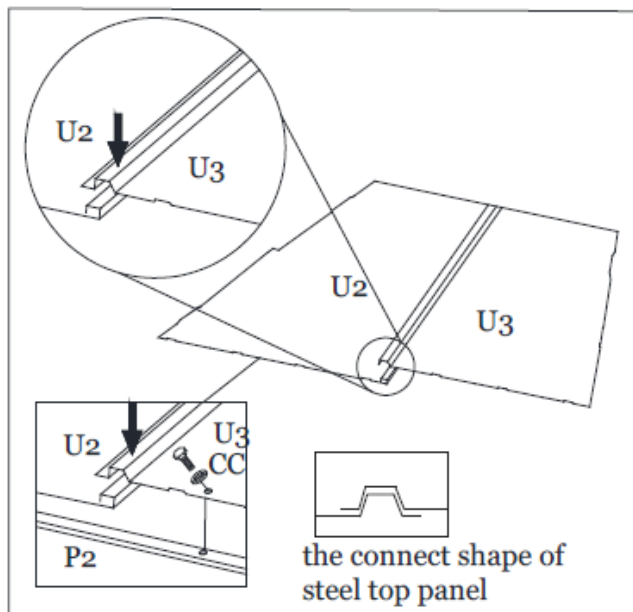
**Step 10B:** Secure the Roof Vent Panel (U1) to the Short Side of the Roof Vent Frame (P1) using Bolt (CC).  
See Figure 10-2.

**Step 10C:** Repeat for opposite long and short sides. **Tighten all Bolts.** See Figure 10-3.

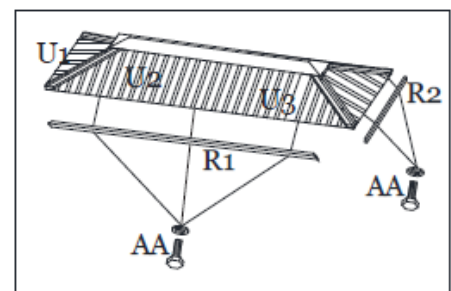
**Step 10D:** Attach the Long Roof Vent Trim (R1) and Short Roof Vent Trim (R2) to the Sides of Roof Vent Frame (P1 and P2) using Bolts (AA). Repeat for all sides. **Tighten all Bolts.** See Figure 10-4.



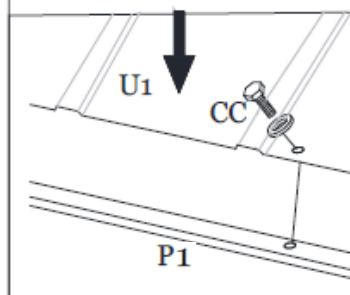
**Figure 10-3**



**Figure 10-1**



**Figure 10-4**

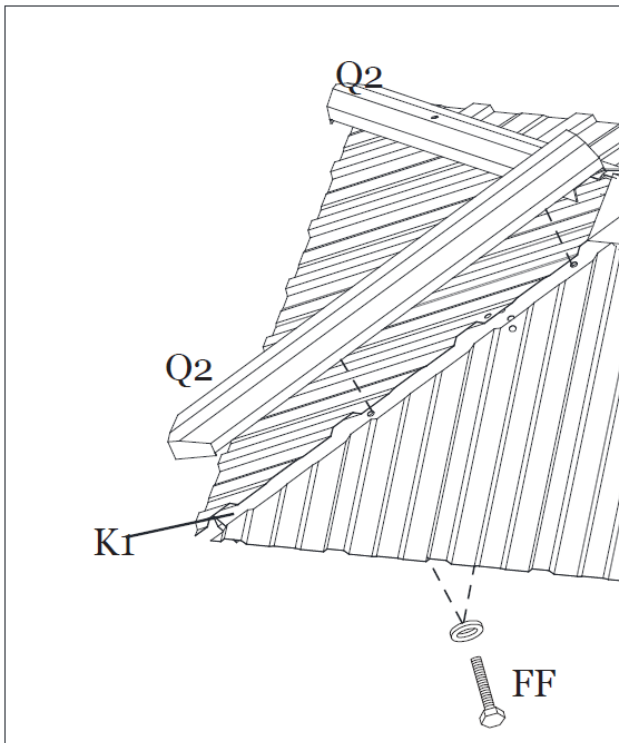


**Figure 10-2**

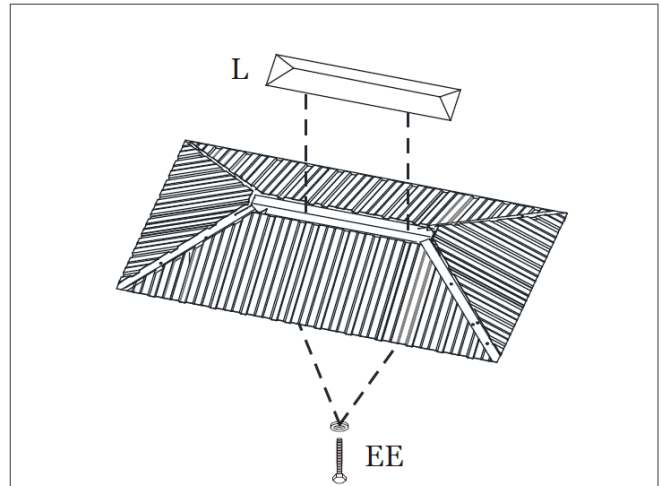
**Step 11A:** Attach the Roof Vent Corner Trim (Q2) to the Roof Vent Corner Support (K1) using Bolts (FF). See Figure 11-1.

**Step 11B:** Repeat for all corners. **Tighten All Bolts.** See Figure 11-2.

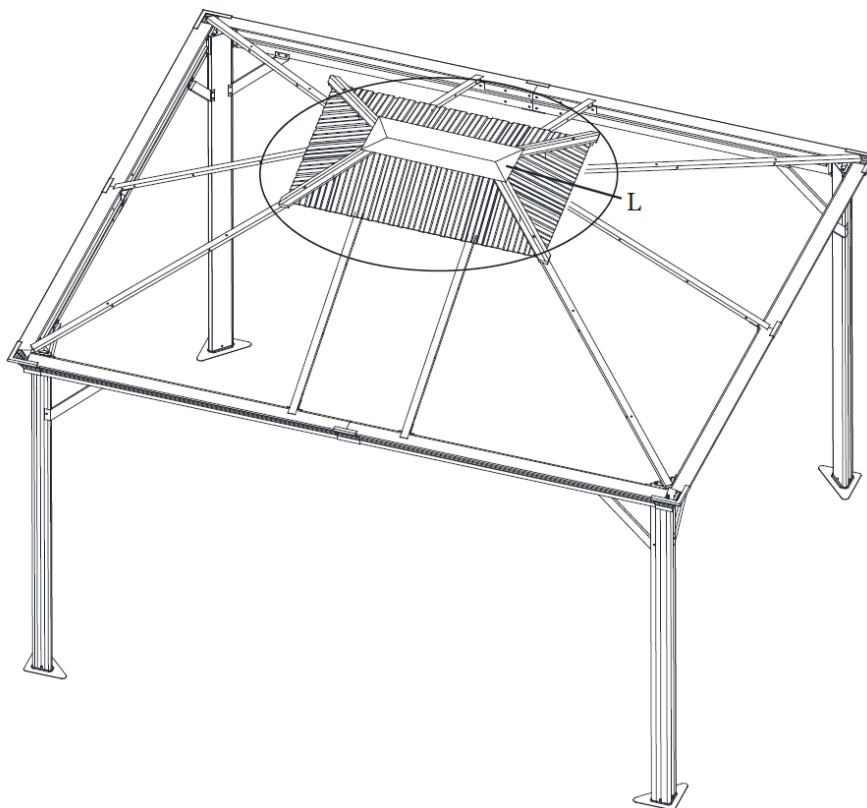
**Step 11C:** Attach the Roof Vent Top Trim (L) to the Roof Vent Center Support (K2) using Bolts (EE). **Tighten Bolts.** See Figure 11-2 and Figure 11-3.



**Figure 11-1**



**Figure 11-3**



**Figure 11-2**

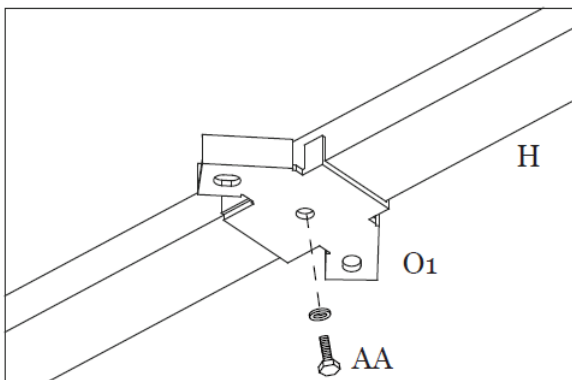
**Step 12A:** Attach the Main Roof Connectors (O1) to the Main Roof Corner Supports (H) using Bolts (AA). See Figure 12-1.

**Step 12B:** Attach the Main Roof Connectors (O2) to the Main Roof Vertical Center Supports (I) using Bolts (AA). See Figure 12-2.

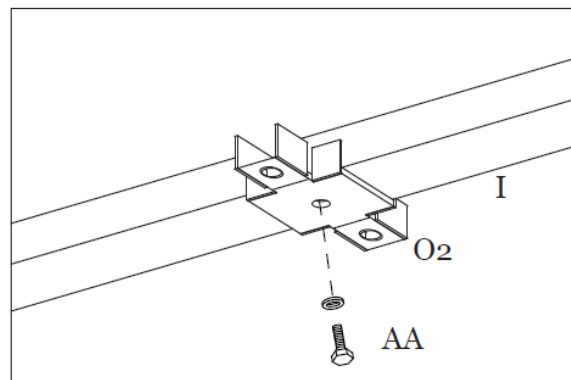
**Step 12C:** Attach the Main Roof Horizontal Supports (M,N) to the Main Roof Connectors (O1) using Bolts (AA). See Figure 12-3.

**Step 12D:** Attach the Main Roof Horizontal Supports (M,N,O) to the Main Roof Connectors (O2) using Bolts (AA). See Figure 12-4.

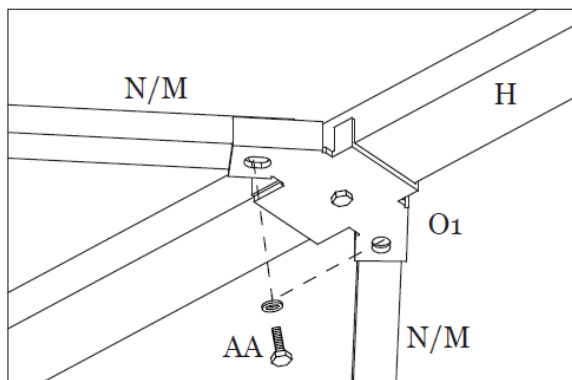
**Step 12E:** Repeat for all sides. **Tighten all Bolts.** See Figure 12-5.



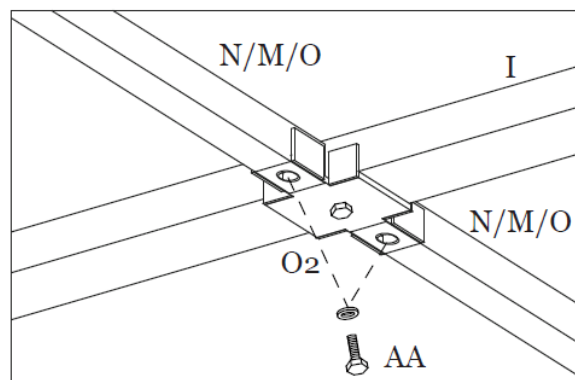
**Figure 12-1**



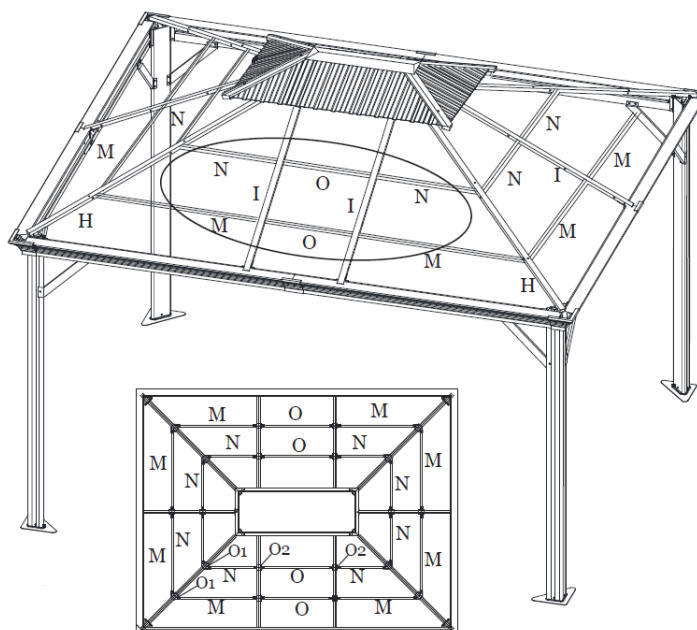
**Figure 12-2**



**Figure 12-3**



**Figure 12-4**



**Figure 12-5**

## MAIN ROOF PANEL ASSEMBLY

**Note:** Install Main Roof Panels from Left to Right. The Right Panel must overlap the Left Panel. Each Bolt (EE) must be attached to Spacer (KK) on top of lintels. Hand Tighten only until all panels have been installed then tighten all bolts.

**Step 13A:** Attach Main Roof Left Panel (T1) to Long Lintel (D2) using Bolt (EE) and Spacer (KK). See Figure 13-1.

**Step 13B:** Attach Main Roof Left Panel (T2) to Long Lintel (D2) using Bolt (EE) and Spacer (KK).

**Note:** Panel (T2) must overlap Panel (T1). Repeat installation and overlapping for Main Roof Panels (T6, T7, T4 and T5) using Bolt (EE) and Spacer (KK). See Figure 13-2.

**Step 13C:** Attach Main Roof Left Panel (T1) to Short Lintel (C2) using Bolt (EE) and Spacer (KK). Hand tighten Only. Attach Main Roof Left Panel (T2) to Short Lintel (C2) using Bolt (EE) and Spacer (KK).

**Note:** Panel (T2) must overlap Panel (T1). Repeat installation and overlapping for Main Roof Panels (T3, T4 and T5) using Bolt (EE) and Spacer (KK). See Figure 13-3.

**Step 13D:** Repeat for opposite sides. **Tighten all Bolts.** See Figure 13-4.

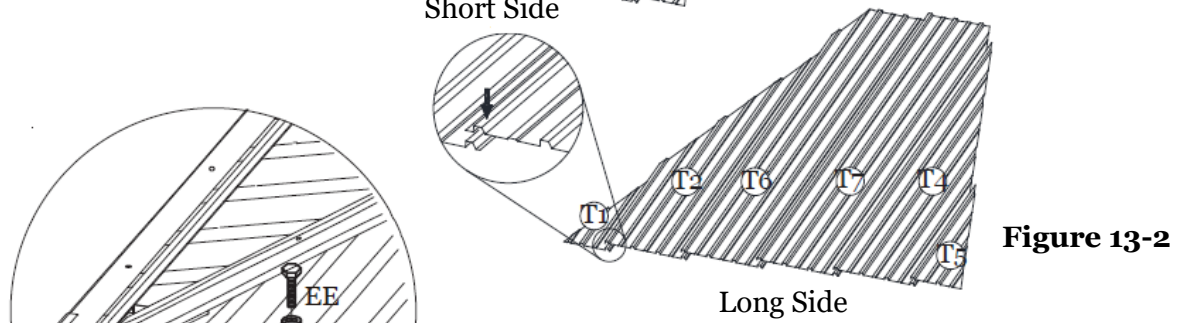
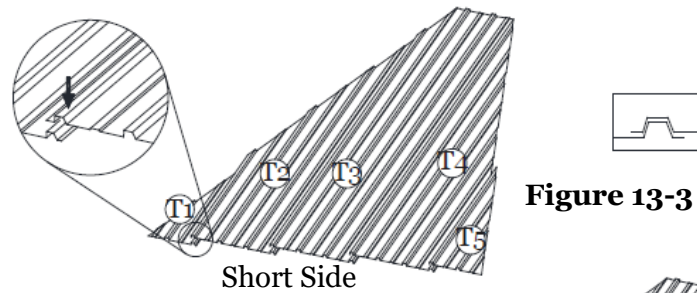


Figure 13-1

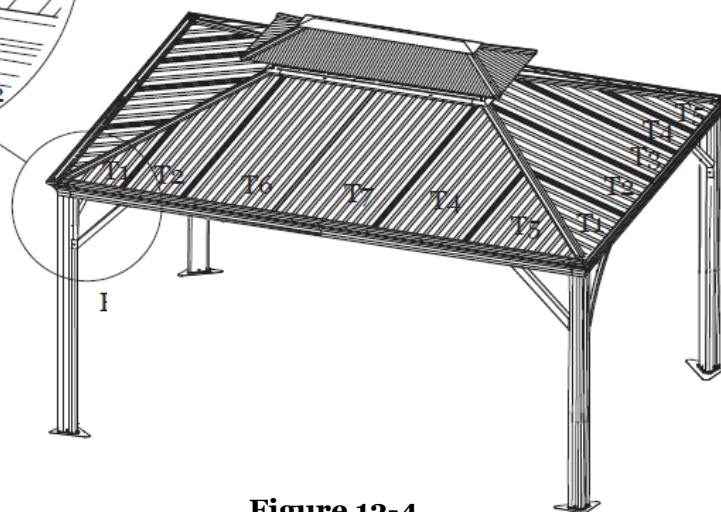
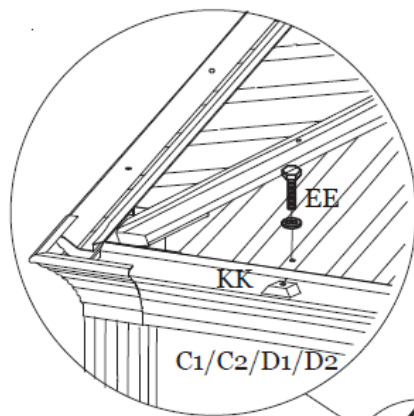
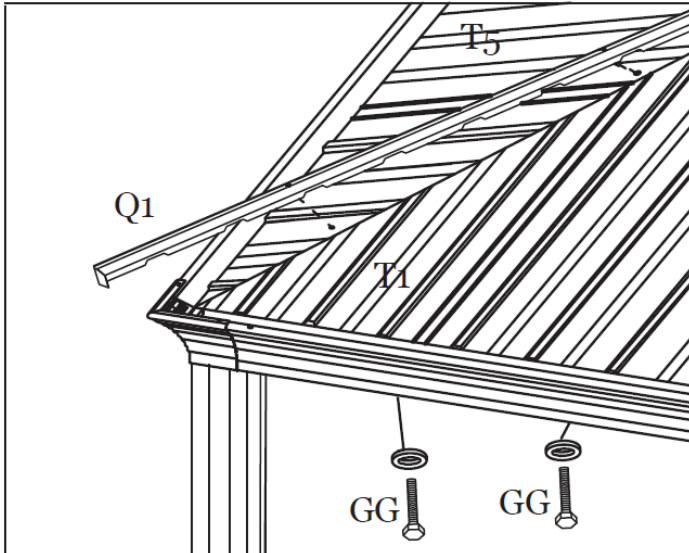


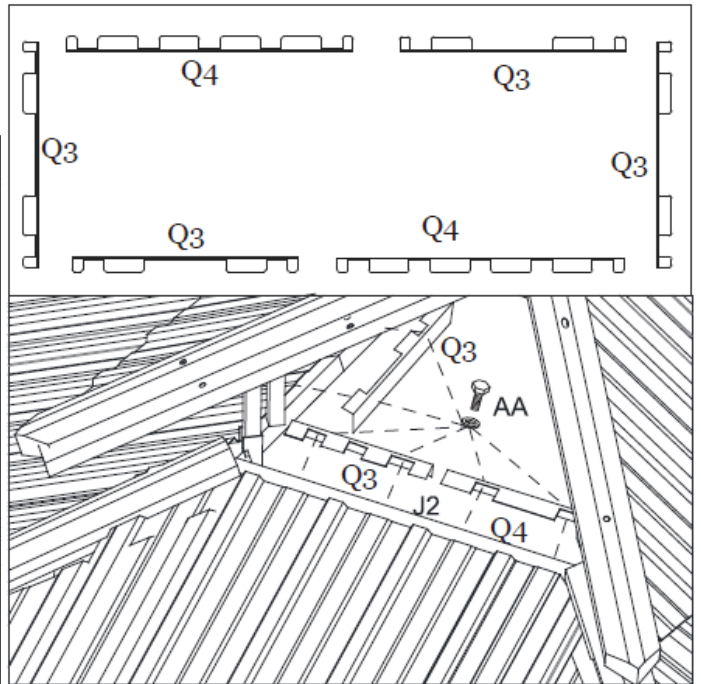
Figure 13-4

**Step 14A:** Attach the Main Roof Corner Trim (Q1) to the Main Roof Corner Support (H) using Bolt (GG). Repeat for all corners. See Figure 14-1 and Figure 14-3.

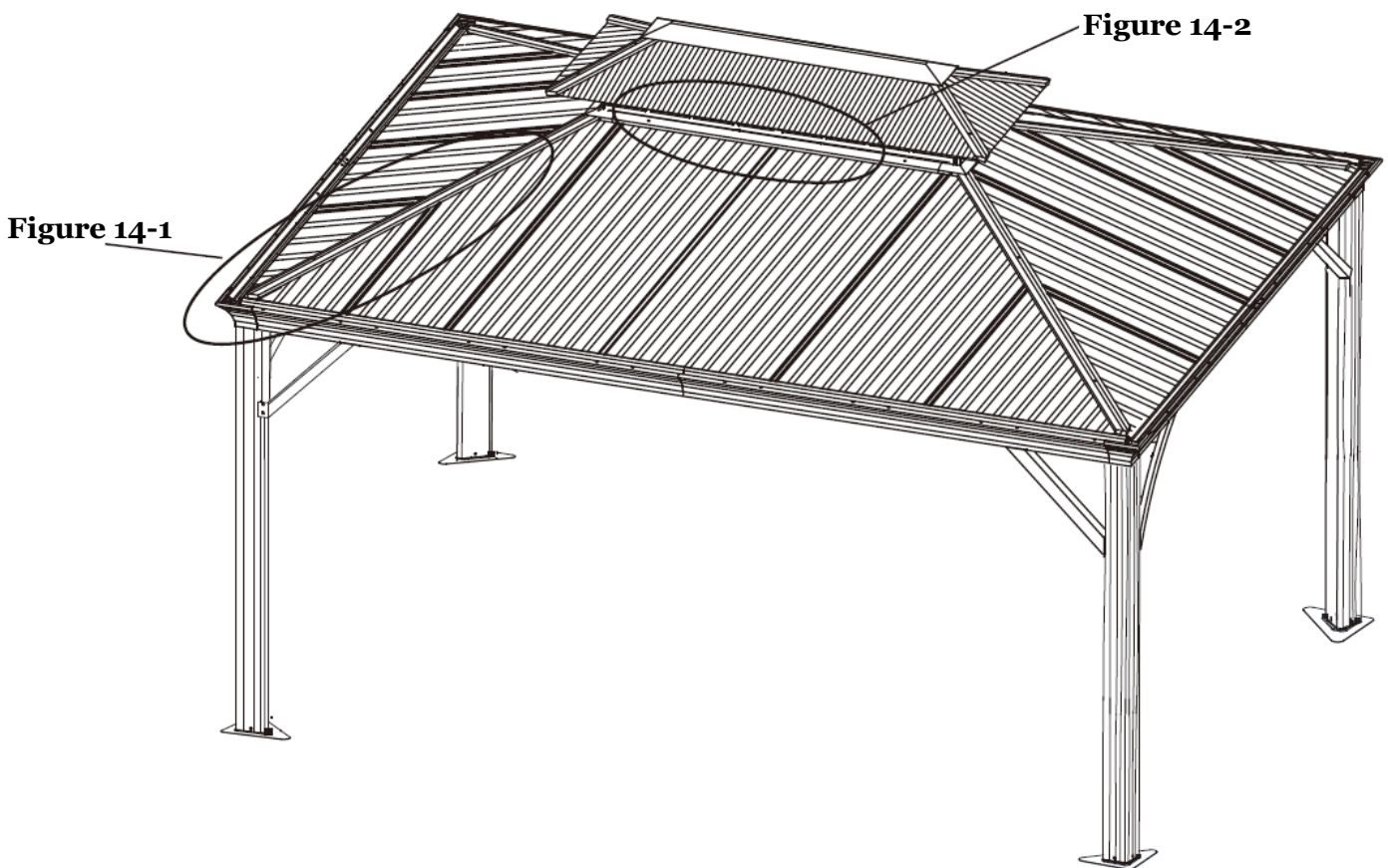
**Step 14B:** Attach the Main Roof Center Frame Trim (Q3 and Q4) to the Main Roof Center Frame (J1 and J2) using Bolts (AA). Repeat for all sides. **Tighten all Bolts.** See Figure 14-2 and Figure 14-3.



**Figure 14-1**



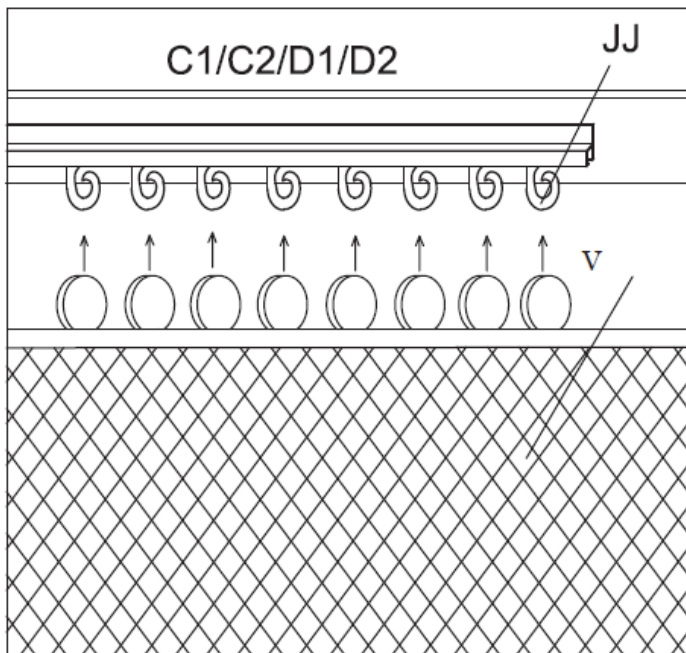
**Figure 14-2**



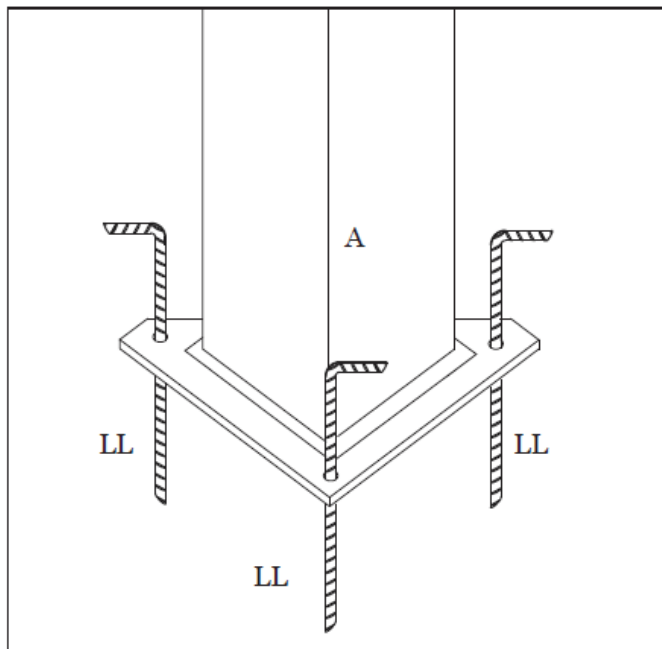
**Figure 14-3**

**Step 15A:** Attach the Mosquito Net (V) to the Mosquito Net Hooks (JJ). Repeat for all sides. See Figure 15-1 and Figure 15-3

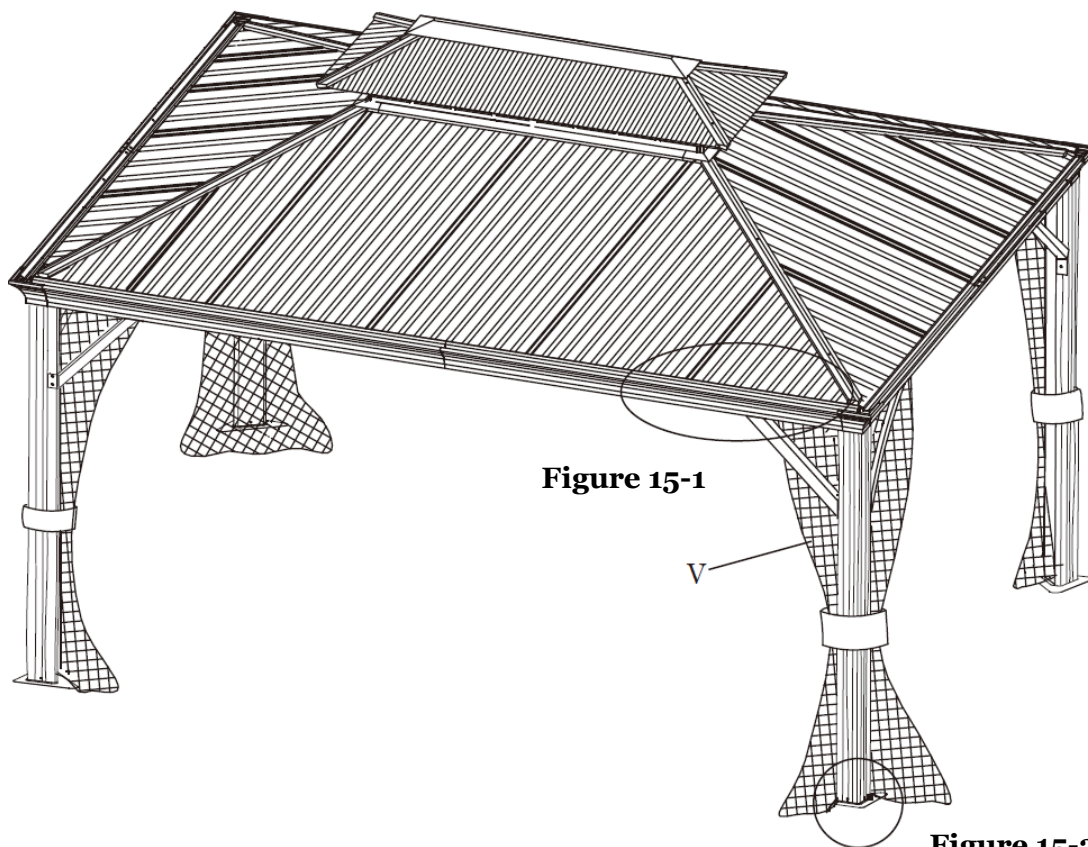
**Step 15B:** Secure the gazebo by inserting the Ground Stakes (LL) into the Base Plates (B). Repeat for all corners. See Figure 15-2 and Figure 15-3.



**Figure 15-1**



**Figure 15-2**



**Figure 15-3**

**Note: Please see our video for additional assembly assistance:**

<https://shadenshelters.com/10x12-granite-peak-gazebo>

## **Granite Peak Gazebo Accessories**

Please visit [www.fleetfarm.com](http://www.fleetfarm.com) or [www.shadenshelters.com](http://www.shadenshelters.com)

- Privacy Curtain
- Winter Cover
- Winter Roof Support
- Replacement Mosquito Netting

### **Care & Maintenance**

Maintain your gazebo with a Winter Cover and Winter Roof Support when storing for winter.

**Frame:** Clean frames with a mild soap and warm water. Do not use abrasive materials, cleaners or bleach. Rinse with clean water and dry thoroughly.

**Fabric:** Mosquito Netting may be cleaned by hand with a mild solution of soap and water. Rinse thoroughly and allow to drip dry. Do not use bleach or solvents on fabrics.

### **Warranty**

You must retain the original receipt to obtain warranty service.

#### **What is covered?**

**Frame:** Frame is warranted against rusting for 1-year

**Finish:** Frame finish is warranted against peeling, cracking or blistering for 1-year if the product has not been scratched or abraded.

**Fabric:** Mosquito Netting is covered by a 1-year warranty against manufacturing defects.

#### **What is not covered?**

**EXCLUSIONS:** Gazebo use for commercial, contract, or other non-residential purposes, damage due to acts of nature, vandalism, misuse, or improper assembly are not covered. Discoloration or fading of the finish or fabrics as a result of chemicals or spills, pool water chemicals or salt water is not covered. Mildew of fabric is not covered. Corrosion and rusting of frames and hardware is not covered. If within the stated warranty period this product is found to be defective in material or workmanship, the purchaser must contact the manufacturer's customer service department. The manufacturer, at its option, will repair or replace the defective parts. Proof of purchase (dated register receipt) is required for warranty claims. It remains the customer's responsibility to pay for freight and packaging charges to and from the service center. Warranty is to the original purchaser and is non-transferable. Any replacement or warranted items will be in the original style and color, or similar style and color if the original is unavailable or has been discontinued.

Questions, problems, missing or damaged part? Before returning to the store call or email our Customer Service.

Customer Service Contact Information:

**Hours: Monday - Friday 8:00 a.m. - 5:00 p.m. Central Time (CT)**

**Phone: 1-888-607-4417**

**Email: [service@shadenshelters.com](mailto:service@shadenshelters.com)**