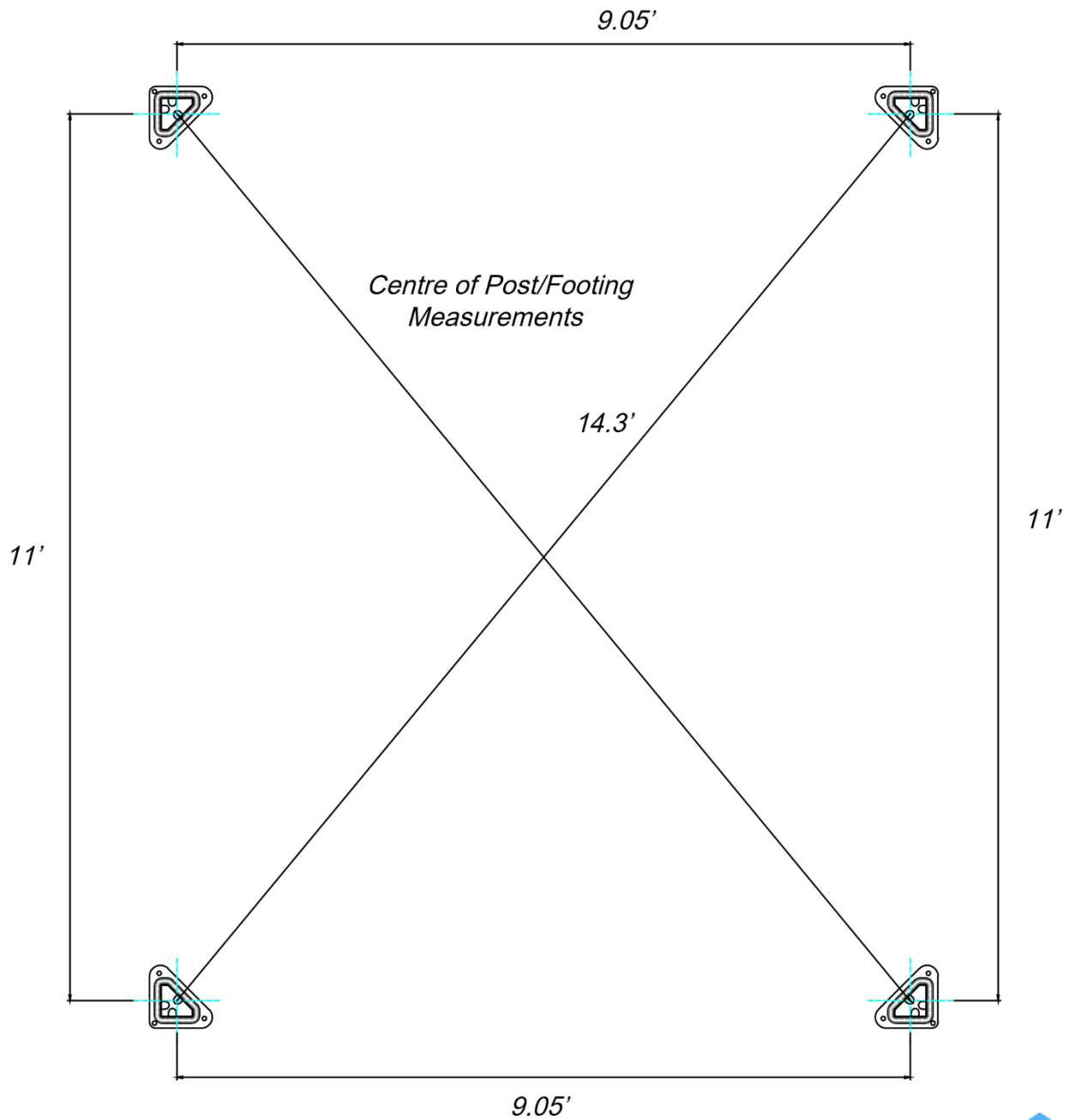
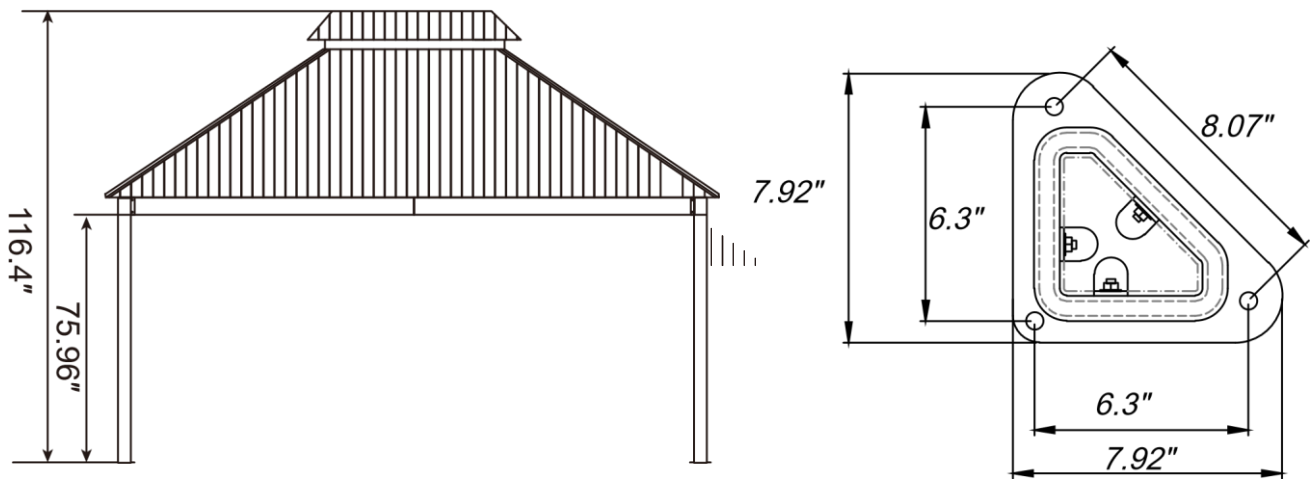


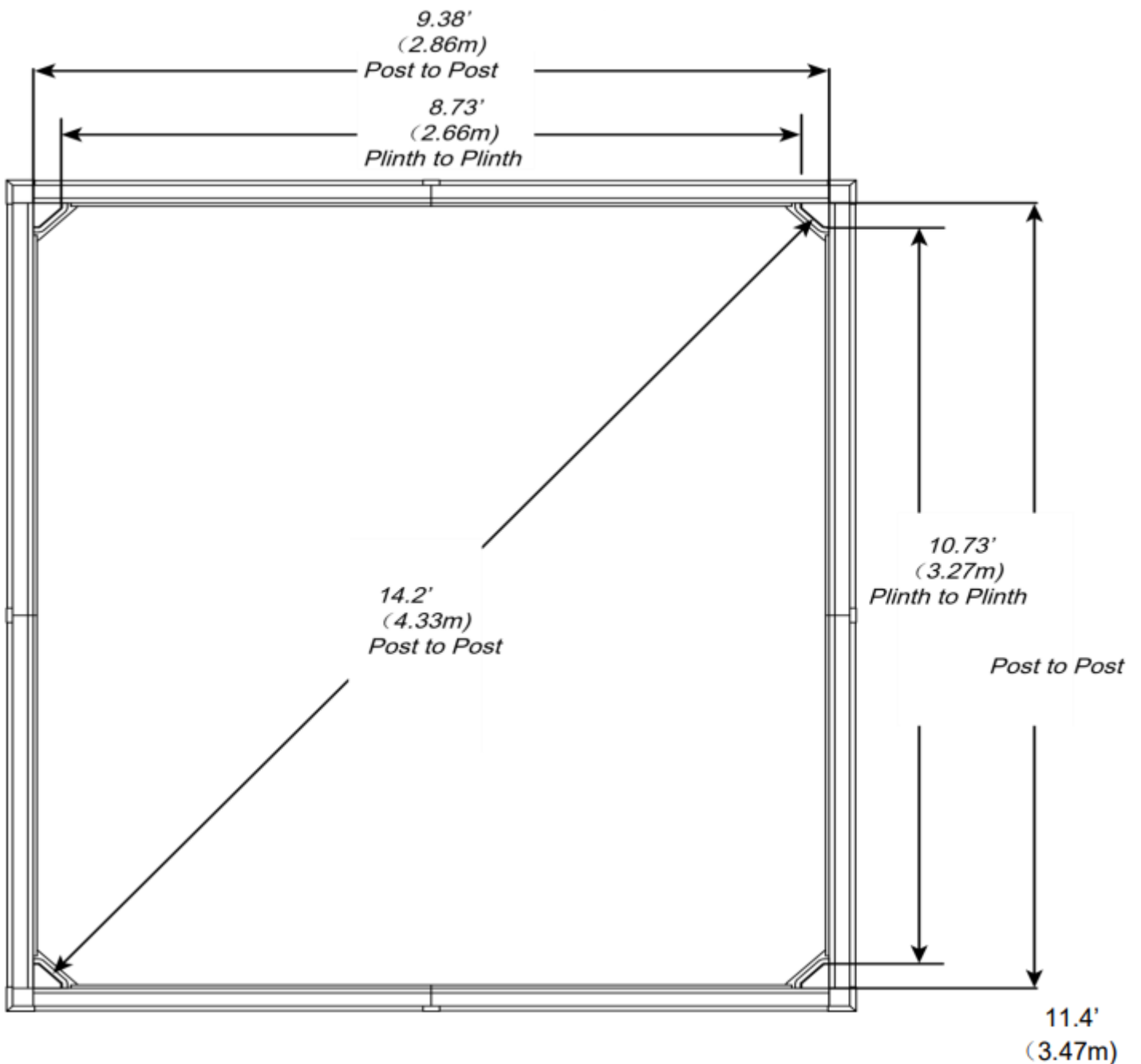
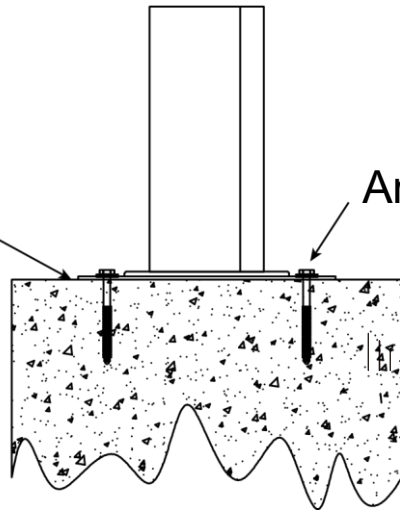
# Granite Peak 10'x12' Gazebo



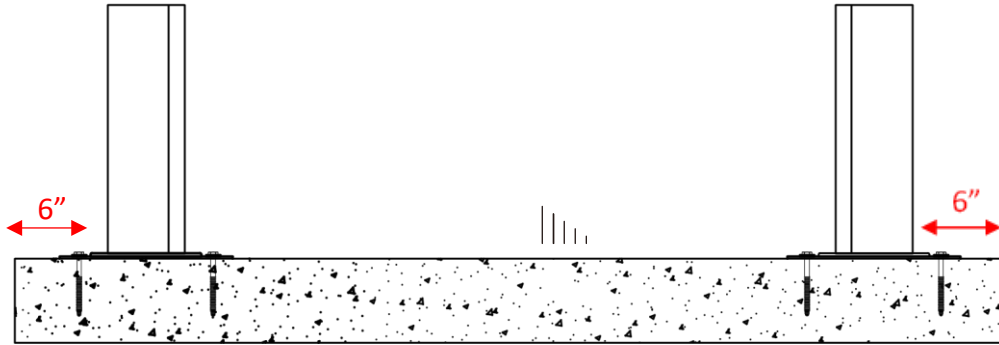
# Concrete Footer

Post Mount

Anchoring Hardware not included



Concrete Patio Slab [min. 10' x 12' (3.05 m x 3.66m)] with 6' (1.83 m) clearance on all sides



Wood Deck [min. 10' x 12' (3.05 m x 3.66m)] with 6' (1.83 m) clearance on all sides

