

Shade N' Shelters

Owner's Manual

Granite Peak

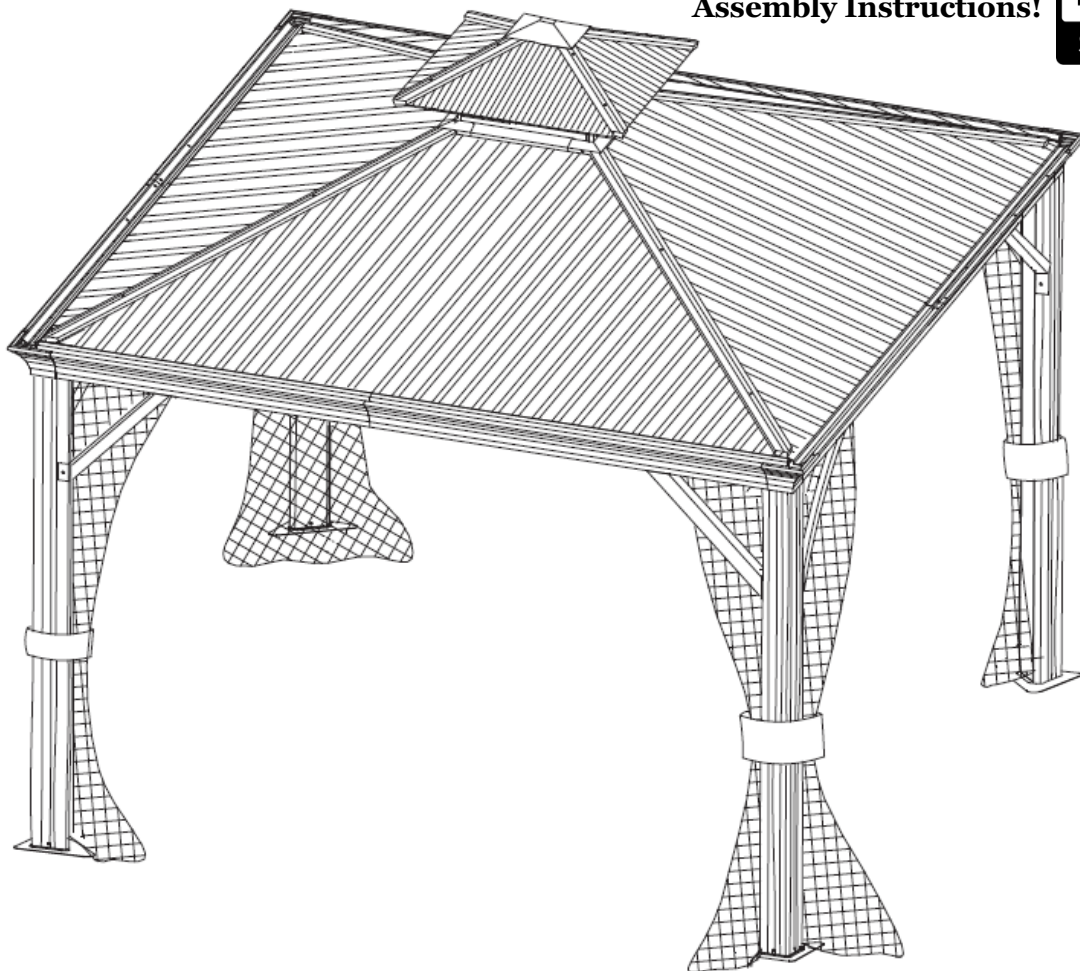
10' x 10' Hard Top Gazebo

Model Number: GP/GAZ10-2

SKU Number: 101642582

Scan For Video

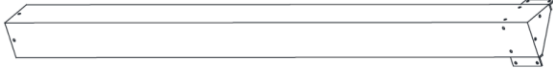





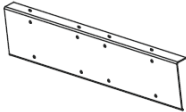


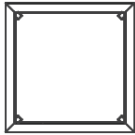

Assembly Instructions!

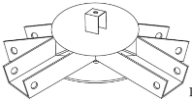

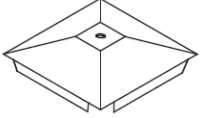














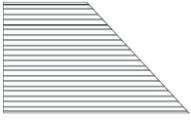

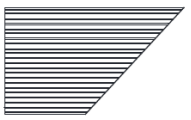

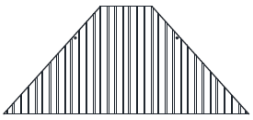
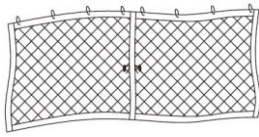
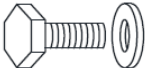
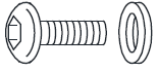

Note: This gazebo is designed to be used as a permanent fixture.



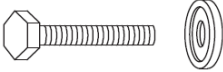
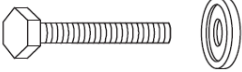






Parts List

Granite Peak 10' x 10' Hard Top Gazebo

Letter	Illustration	Description	Qty.
A		Corner Post	4
B		Corner Post Base Plate	4
C1		Lintel	4
C2		Lintel	4
E		Lintel Corner Support Bar	8
F		Lintel Bracket	4
G2		Lintel Connector	4
H		Main Roof Corner Support	4
I		Main Roof Vertical Center Support	4
J		Main Roof Center Frame	1
K1		Roof Vent - Corner Supports	4

Letter	Illustration	Description	Qty.
K2		Roof Vent Connector	1
K3		Roof Vent Hook	1
L		Roof Vent - Top Trim	1
M		Main Roof – Lower Horizontal Support	8
N		Main Roof – Upper Horizontal Support	8
O1		Main Roof Connector - Corner	8
O2		Main Roof Connector - Center	8
P1		Roof Vent Frame	4
Q1		Main Roof Corner Trim	4
Q2		Roof Vent Corner Trim	4
Q3		Main Roof Center Frame Trim	4
R1		Roof Vent Side Trim	4

Letter	Illustration	Description	Qty.
S1		Lintel Cover - Corner	4
S2		Lintel Cover - Center	4
T1		Main Roof Panel - Left Corner	4
T2		Main Roof Panel - Left Side	4
T3		Main Roof Panel - Center	4
T4		Main Roof Panel - Right Side	4
T5		Main Roof Panel - Right Corner	4
U1		Roof Vent Panel	4
V		Mosquito Netting	4
AA		M6 x 15mm Bolt with Steel Washer	177
BB		M8 x 15mm Bolt with Steel Washer	48
CC		M6 x 15mm Bolt with Plastic Washer	8

Letter	Illustration	Description	Qty.
DD		M6 x 15mm Bolt	16
EE		M6 x 25mm Bolt with Plastic Washer	24
FF		M6 x 35mm Bolt with Plastic Washer	8
GG		M6 x 40mm Bolt with Plastic Washer	8
II		M6 x 55mm Bolt with Flat Washer & Nut	4
JJ		Mosquito Netting Hook	40
KK		Spacer	24
LL		Ground Stake	12
MM		M8 Allen Wrench	1
NN		M6 Hex Wrench	2

Assembly Instructions

Granite Peak 10' x 10' Hard Top Gazebo

Note: For video instructions please visit:

<https://shadenshelters.com/10x10-granite-peak-gazebo>

Important:

- Read all the instructions before assembly. Failure to do so may result in faulty assembly and potential injury.
- Before assembling the product, remove all protective materials, hardware kit(s), and identify all parts packed in the carton are present. (Note: If any part is missing or damaged, do not attempt to assemble). Contact Shade N' Shelters Customer Support. See page 21.
- Assemble on a stable level surface to avoid damage to gazebo and possible injury.
- Two people are required to assemble this product.
- Gazebo dimensions are measured from roof corner to roof corner.

WARNING: DO NOT TIGHTEN BOLTS UNTIL NOTED AFTER EACH STEP!

Step 1: Connect Corner Post Base Plate (B) to Corner Post (A) using Bolts (AA). Repeat for all Corner Posts and Base Plates. **Tighten all Bolts.** See Figure 1.

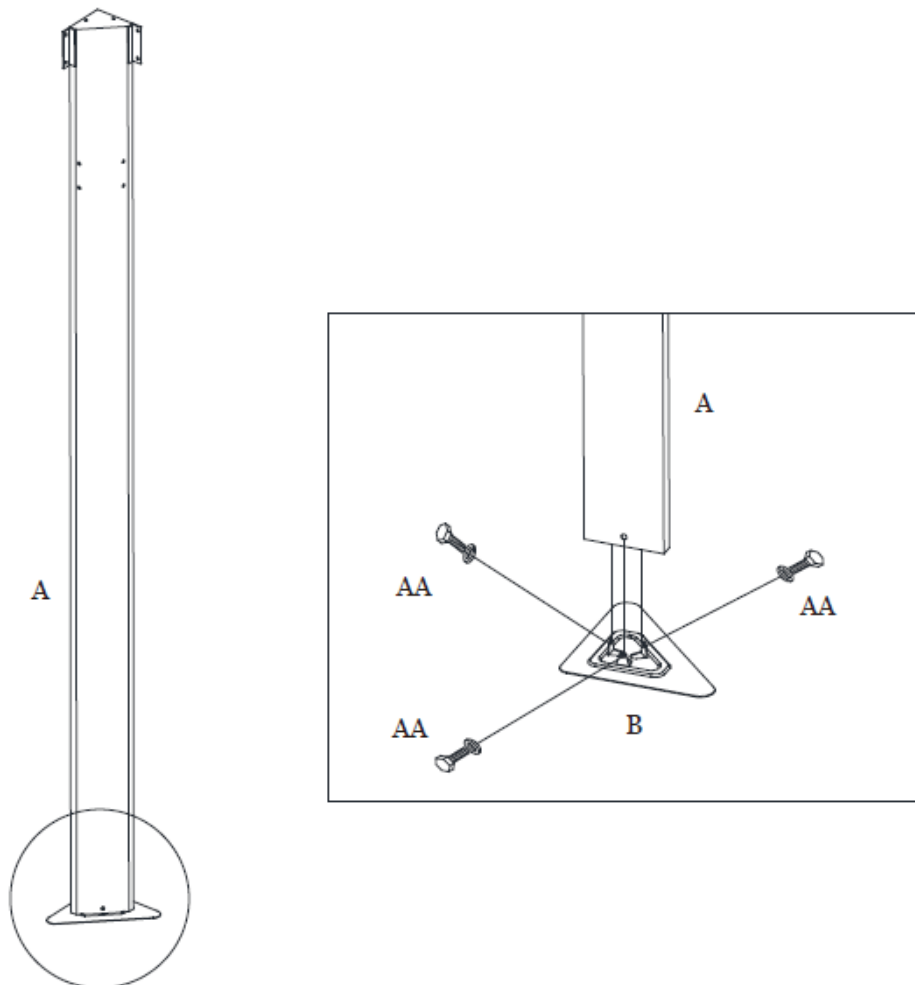


Figure 1

Step 2A: Insert ten Mosquito Netting Hooks (JJ) into the channel of each Lintel (C2). See Figure 2-1.

Step 2B: Attach Lintel Connector (G2) to Lintel (C2) using Bolts (BB). **Hand Tighten Only.**

See Figure 2-2

Step 2C: Attach Lintel (C1) to Lintel Connector (G2) using Bolts (BB). Attach Lintel Brackets (F) to Lintel (C1 and C2) using Bolts (BB). **Tighten all Bolts.** Repeat Step 2A to 2C for remaining Lintels (C1 and C2). See Figure 2-3.

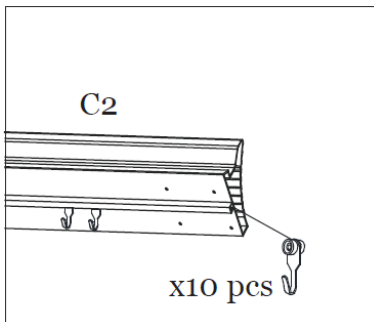
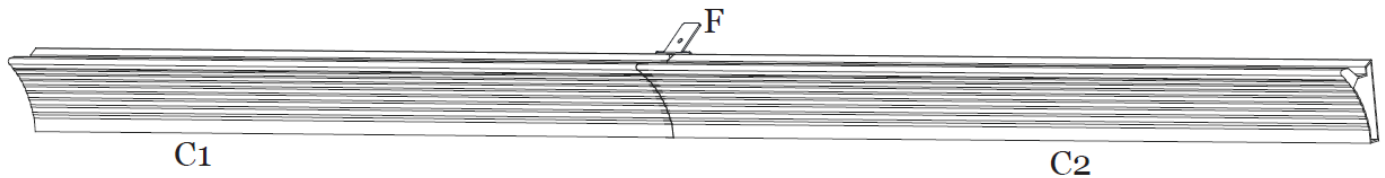


Figure 2-1

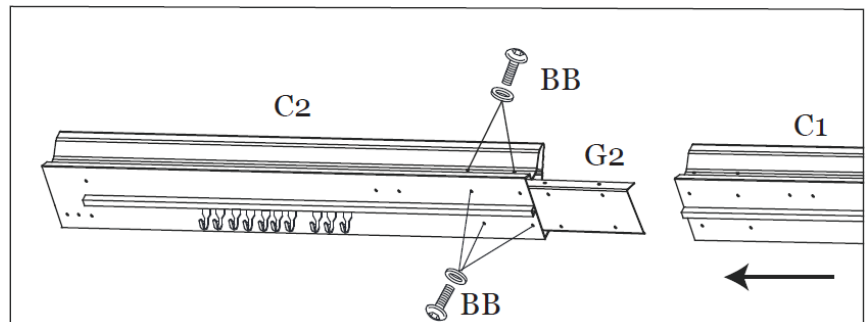


Figure 2-2

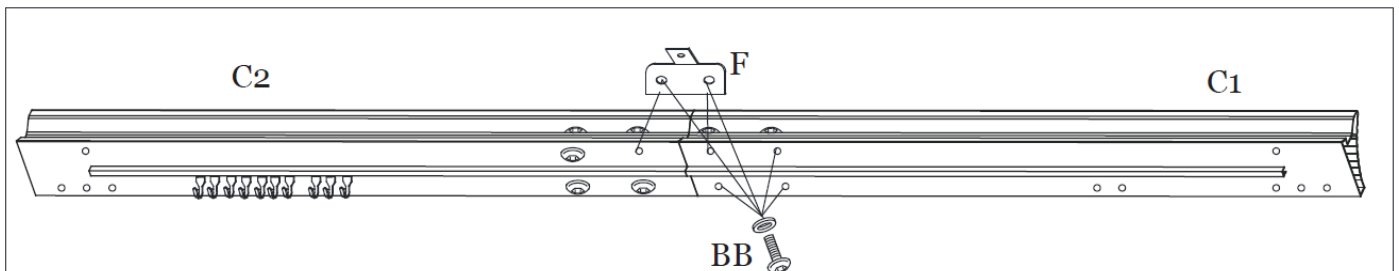


Figure 2-3

Step 3A: Attach Corner Posts (A) to end of Long Lintels (C1 and C2) first with Bolts (AA) then with Bolts (DD). **Tighten all Bolts.** See Figure 3-1.

Step 3B: Repeat for opposite side Long Lintels (C1 and C2) and Corner Posts (A). See Figure 3-2.

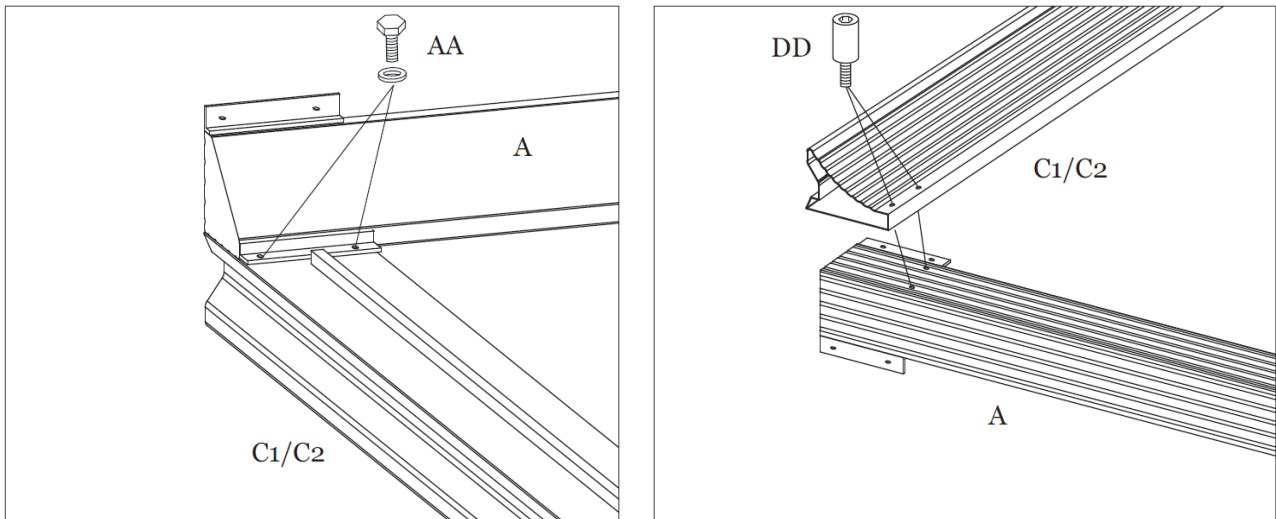


Figure 3-1

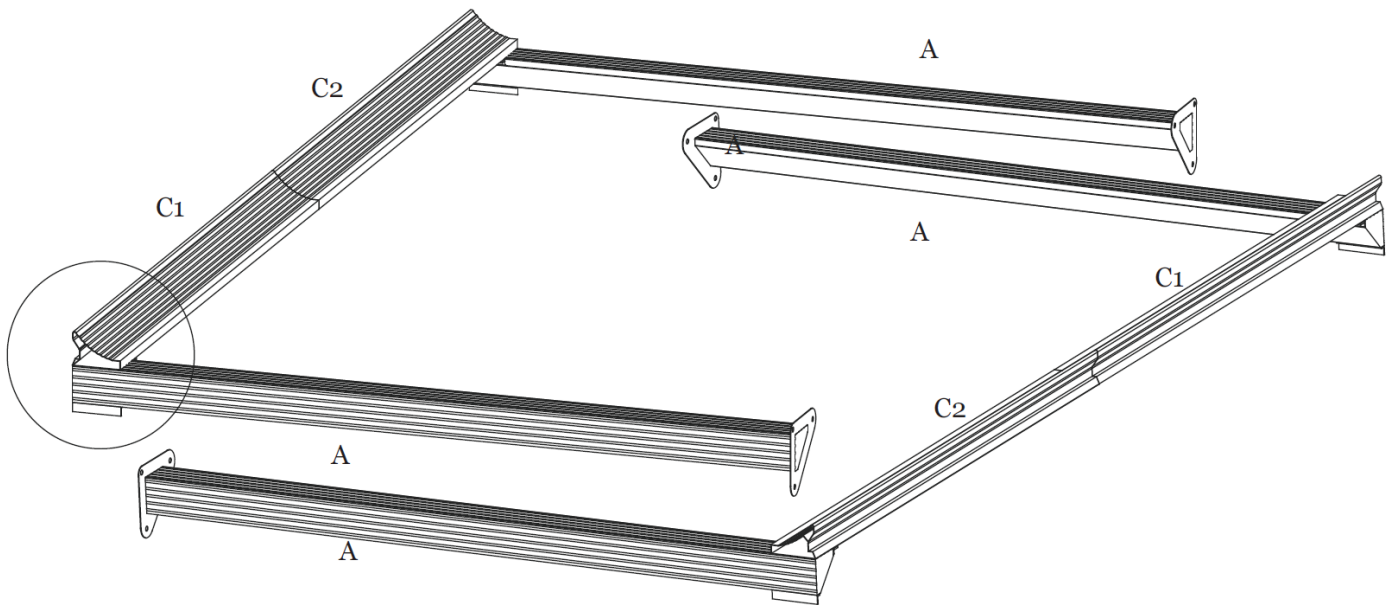


Figure 3-2

Step 4A: Attach Corner Posts (A) to Lintel (C1 and C2) first with Bolts (AA) then with Bolts (DD). Repeat for opposite side Lintels (C1 and C2). See Figure 4-1.

Step 4B: Attach Support Bars (E) to Lintels (C1 and C2) and Corner Posts (A) with Bolts (AA). See Figure 4-2.

Step 4C: Repeat for all Corner Posts and Lintels. **Tighten all Bolts.** See Figure 4-3.

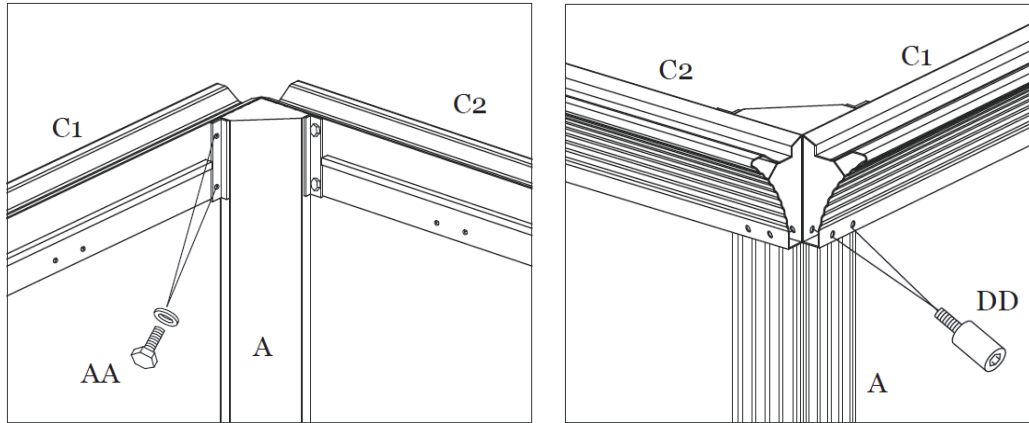


Figure 4-1

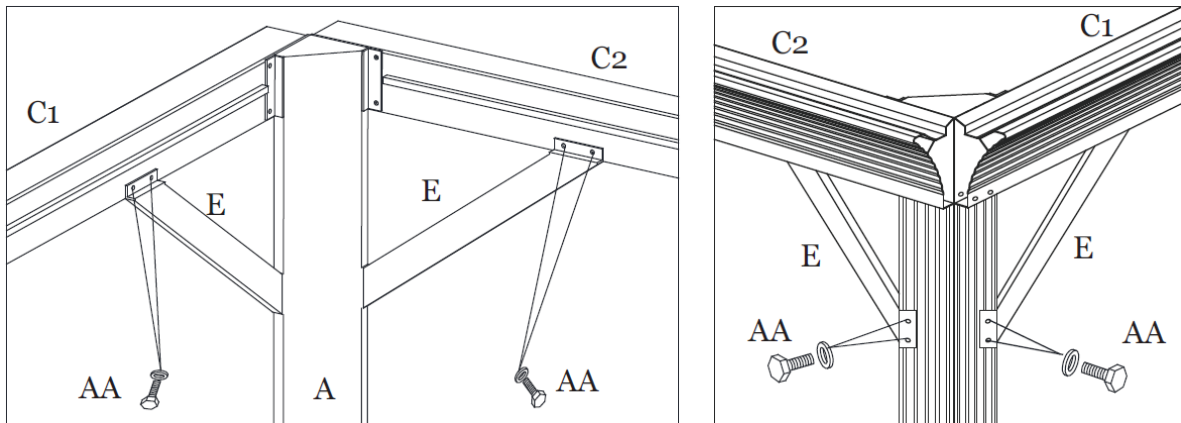


Figure 4-2

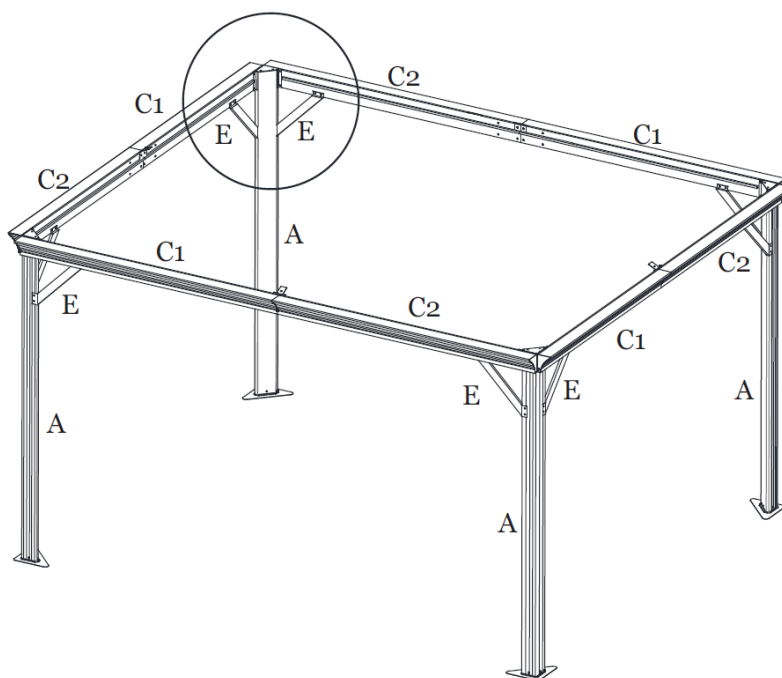


Figure 4-3

Step 5A: Attach Corner Lintel Cover (S1) to Lintel (C1) and Lintel (C2) with Bolts (AA). Repeat for all corners.

Tighten all Bolts. See Figure 5-1.

Step 5B: Attach Center Lintel Cover (S2) to Lintels (C1 and C2). **Tighten all Bolts.** See Figure 5-2.

Step 5C: Repeat for opposite sides. **Tighten all Bolts.** See Figure 5-3.

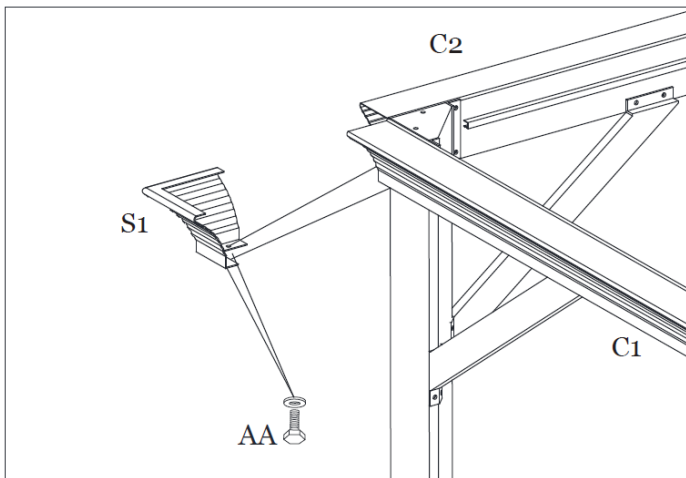


Figure 5-1

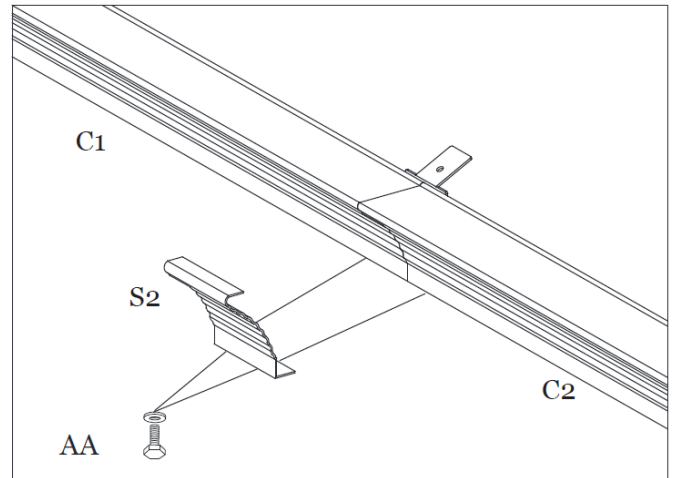


Figure 5-2

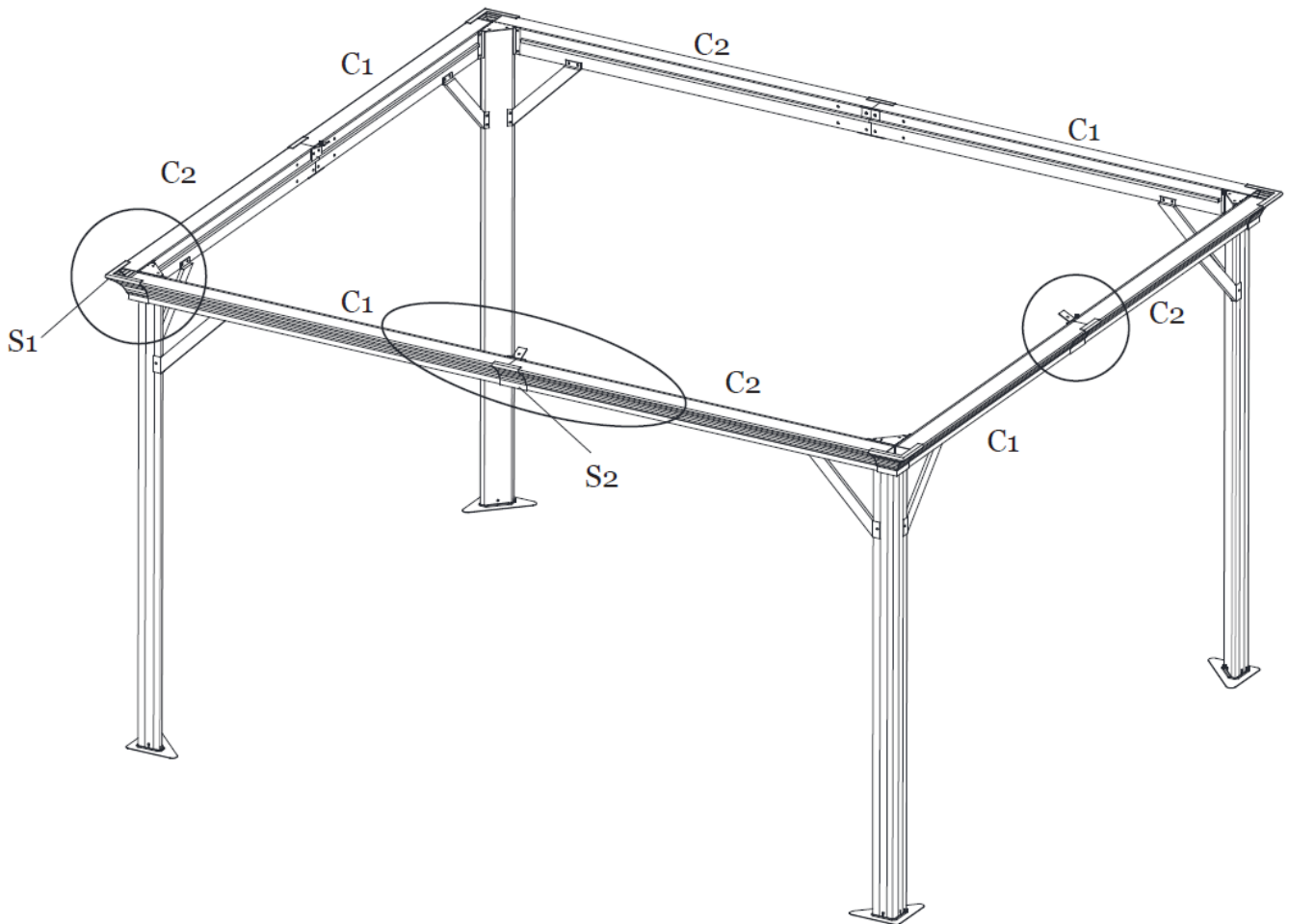


Figure 5-3

Step 6A: Attach Main Roof Corner Support (H) to Main Roof Center Frame (J) and Corner Post (A) using Bolts (AA). See Figure 6-1.

Step 6B: Repeat for remaining Corners. **Tighten all Bolts.**

Note: Diagonal measurements from corner to corner must be within 5mm of the same distance. See Figure 6-2.

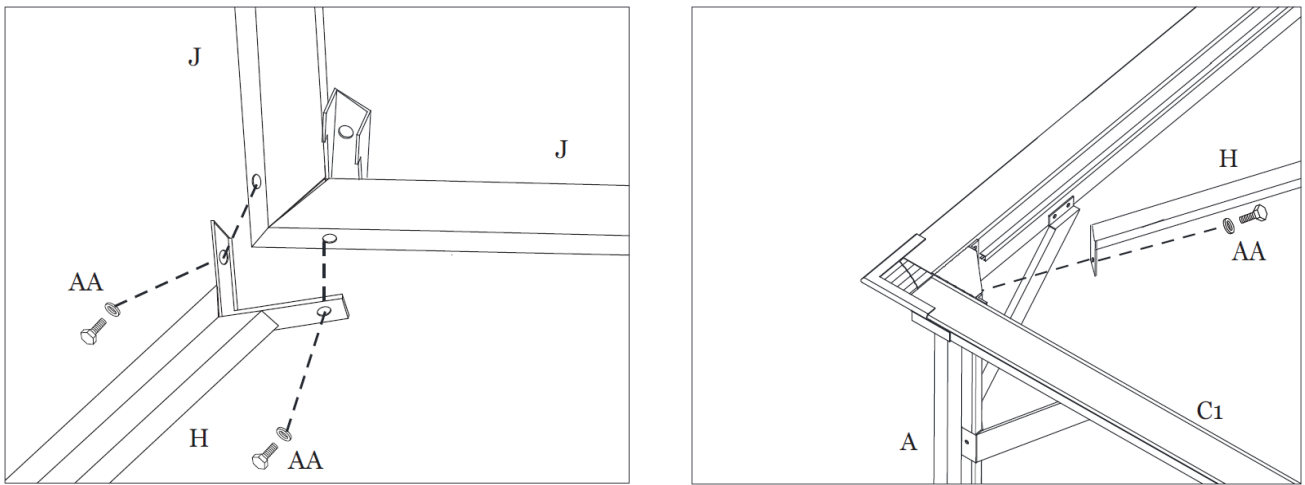


Figure 6-1

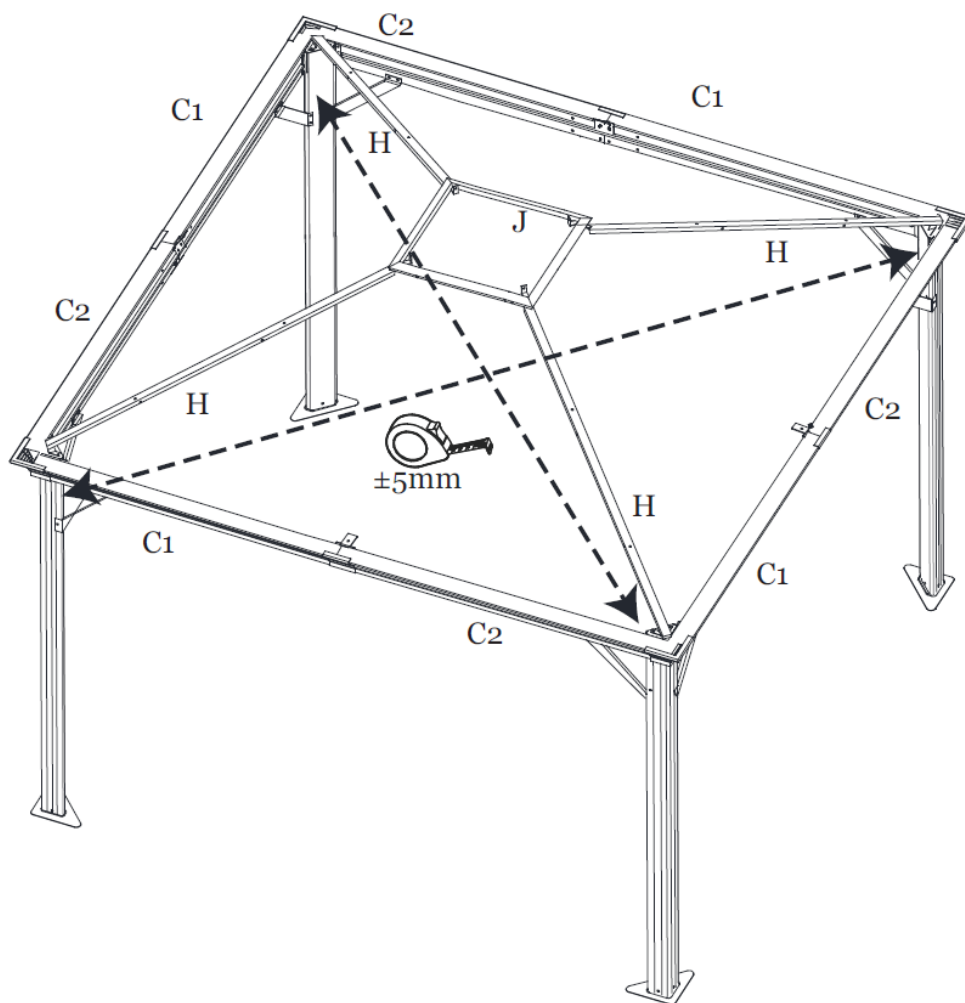


Figure 6-2

Step 6C: Attach the Main Roof Vertical Center Supports (I) to the Main Roof Center Frame (J) and the Lintel Brackets (F) using Bolts (AA). **Hand Tighten Only.** See Figure 6-3.

Step 6D: Repeat for all sides. **Tighten all Bolts.** See Figure 6-4.

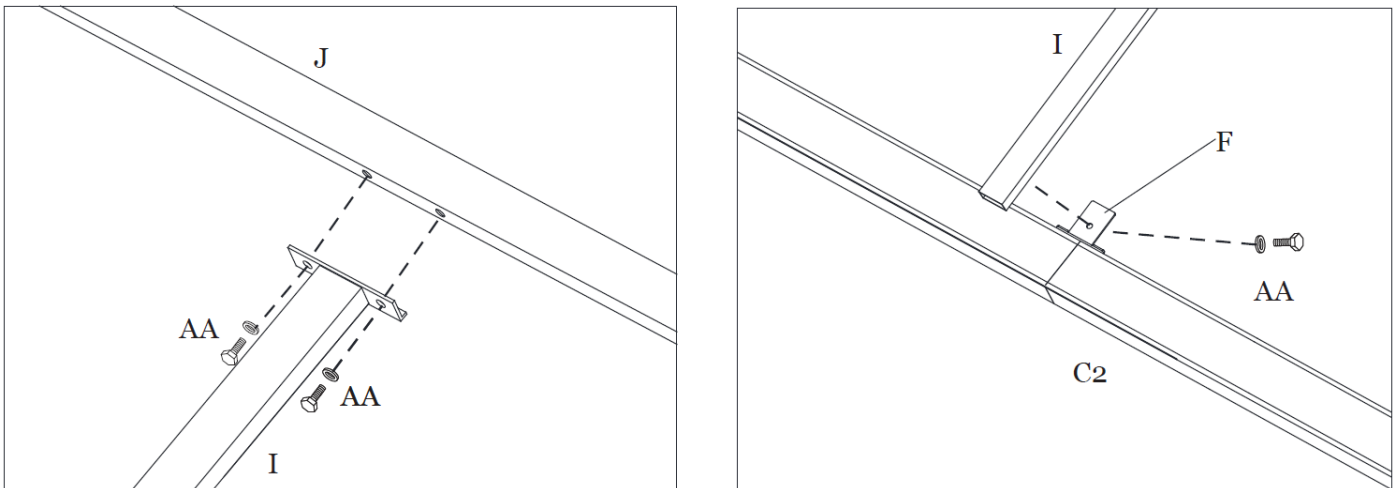


Figure 6-3

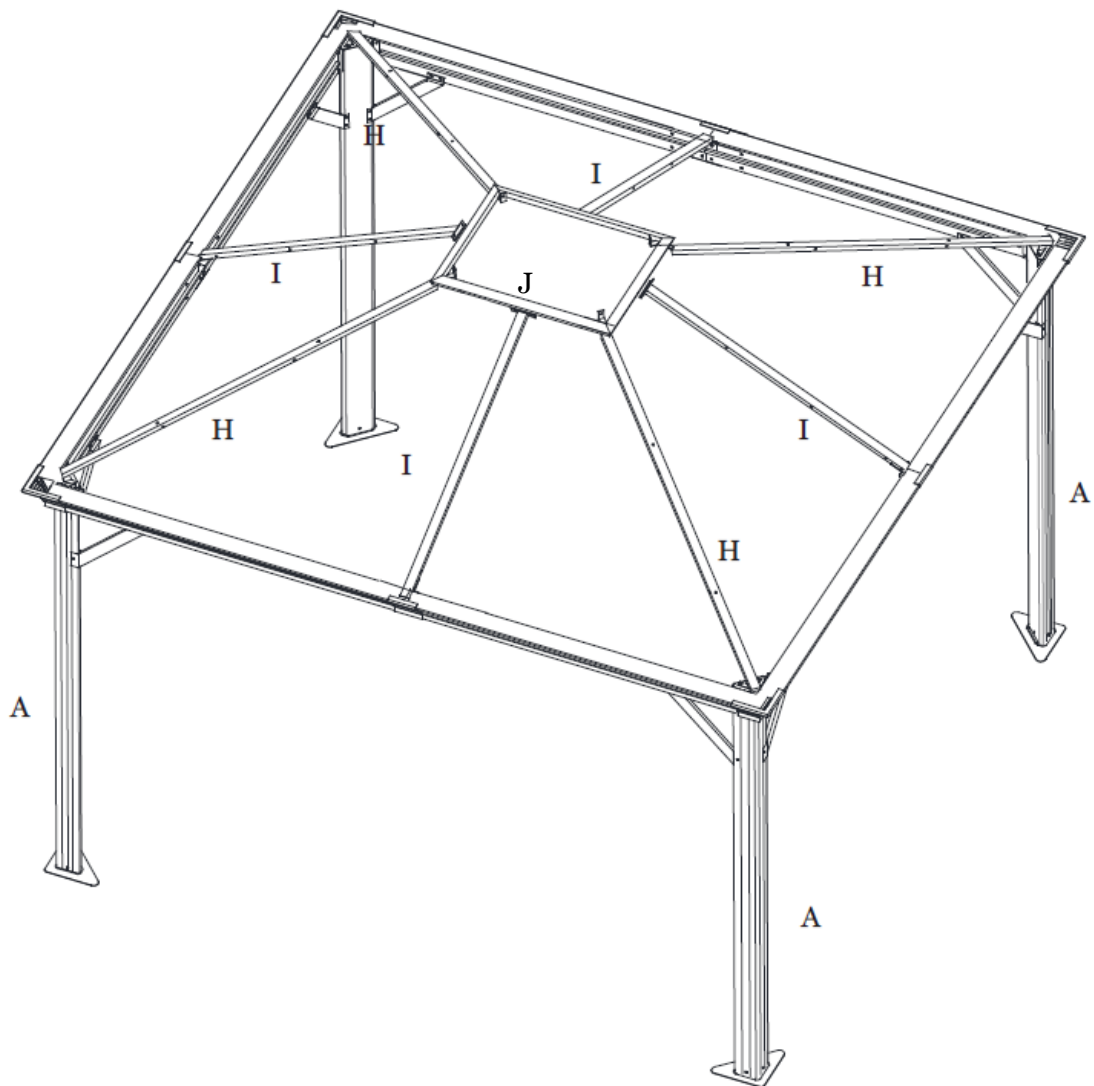


Figure 6-4

Step 7A: Attach Roof Vent Hook (K3) to Roof Vent Connector (K2). See Figure 7-1.

Step 7B: Assemble Roof Vent Frame by attaching Roof Vent Corner Support (K1) to Roof Vent Connector (K2) with Bolts (II). See Figure 7-2.

Step 7C: Repeat for all corners. See Figure 7-3.

Step 7D: Attach the sides of the Roof Vent Frame by connecting the Roof Vent Frame (P1) to the Roof Vent Corner Support (K1) using Bolts (AA). See Figure 7-4.

Step 7E: Repeat for all sides. **Tighten all Bolts.** See Figure 7-3.

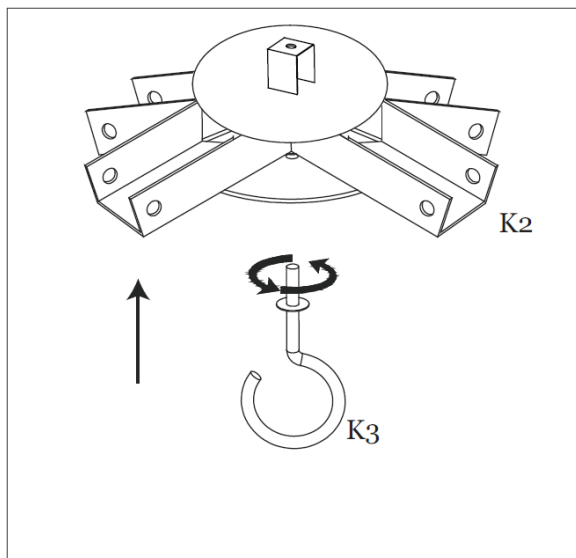


Figure 7-1

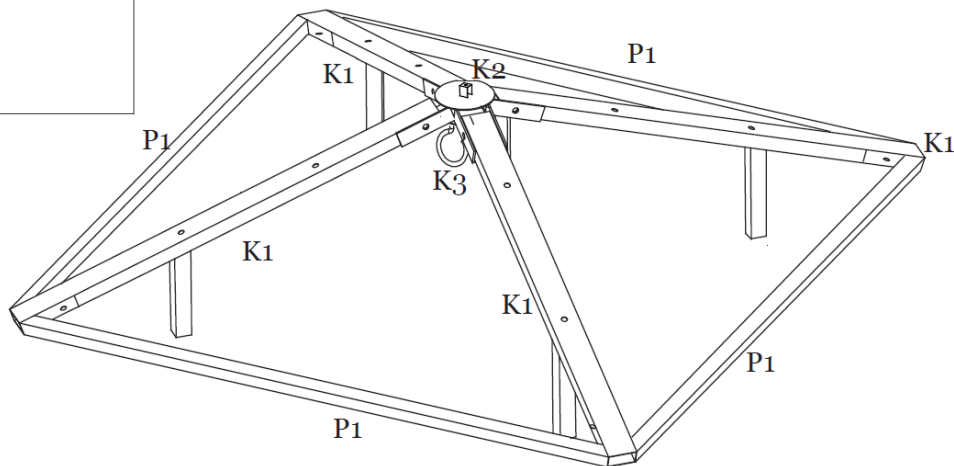


Figure 7-3

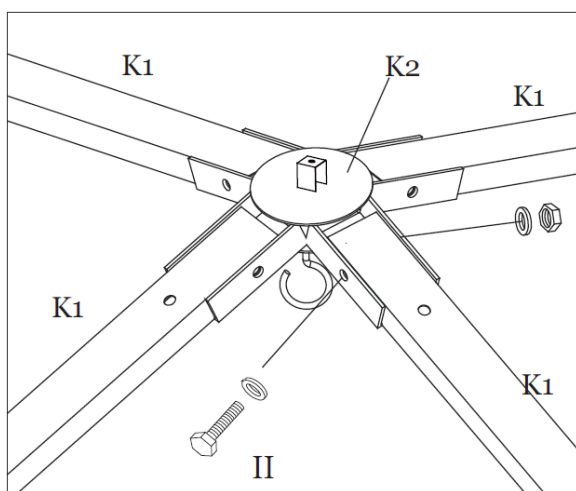


Figure 7-2

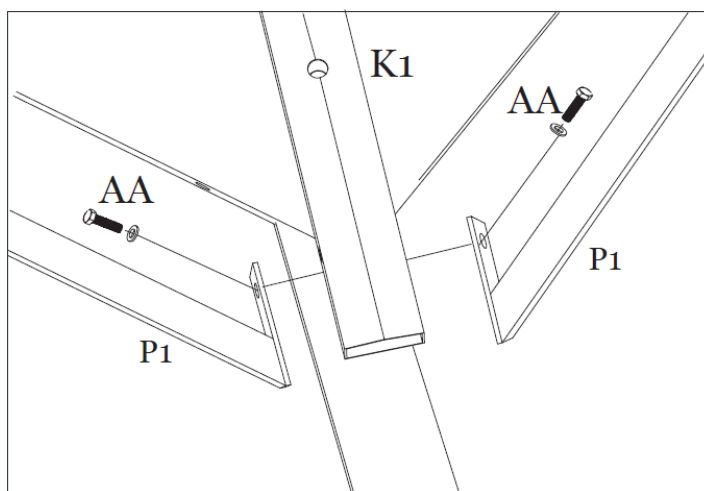


Figure 7-4

Step 8A: Secure the Roof Vent Frame to the Main Roof Center Frame by inserting the Roof Vent Corner Supports (K1) into the Main Roof Center Frame (J) and attach using Bolts (AA). See Figure 8-1.

Step 8B: Repeat for all corners. **Tighten all Bolts.** See Figure 8-2.

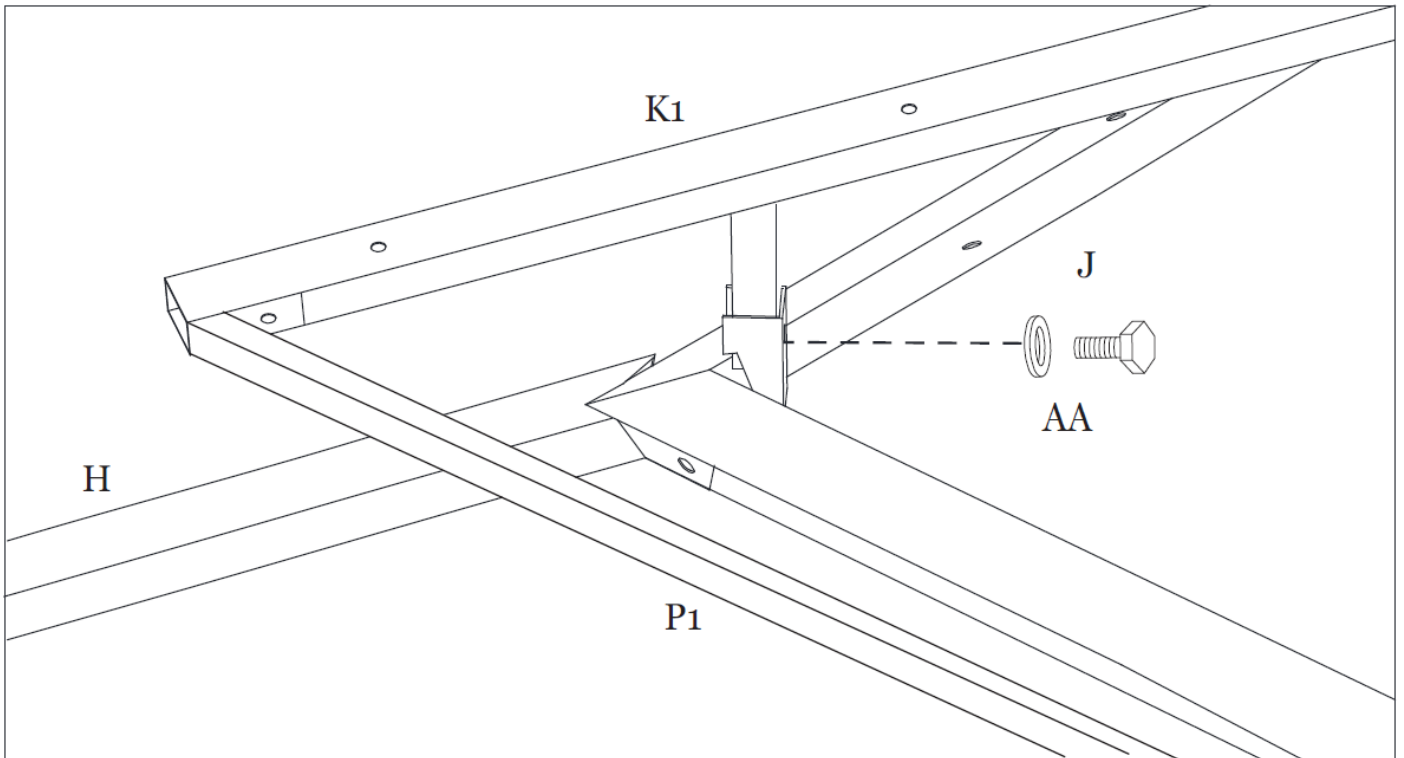


Figure 8-1

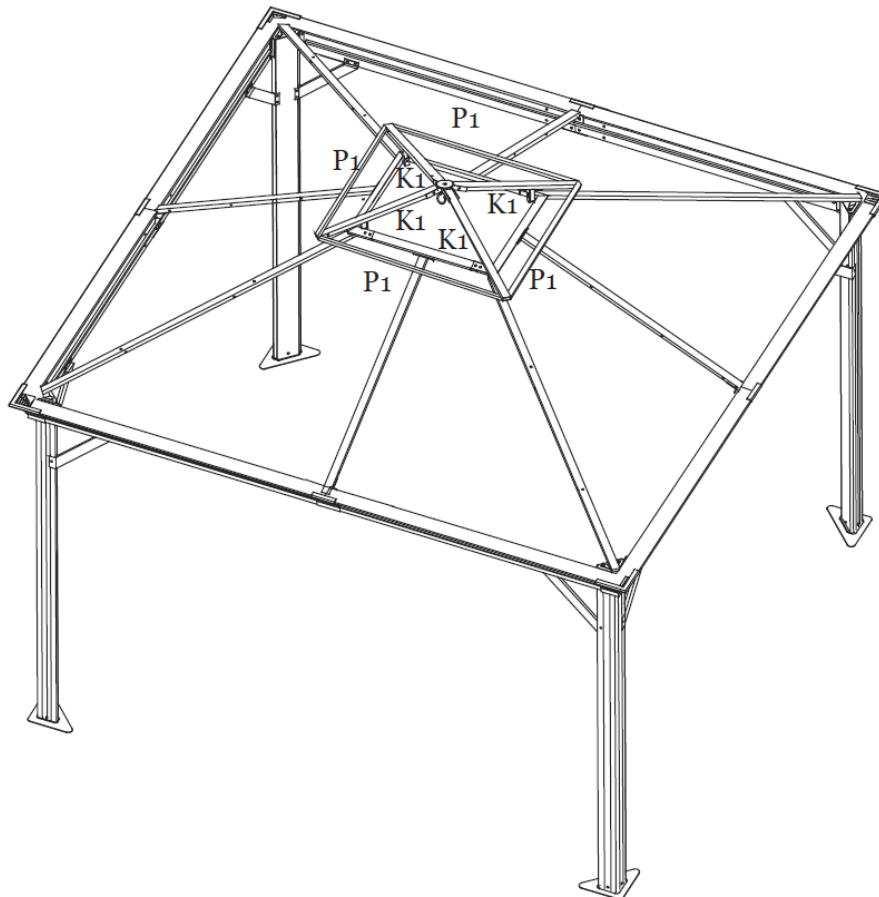


Figure 8-2

Step 9A: Attach the Roof Vent Panel (U1) to the Roof Vent Frame (P1) using Bolt (CC). See Figure 9-1.

Step 9B: Repeat for opposite sides. **Tighten all Bolts.** See Figure 9-2.

Step 9C: Attach the Roof Vent Trim (R1) to the Sides of Roof Vent Frame (P1) using Bolts (AA). Repeat for all sides. **Tighten all Bolts.** See Figure 9-3.

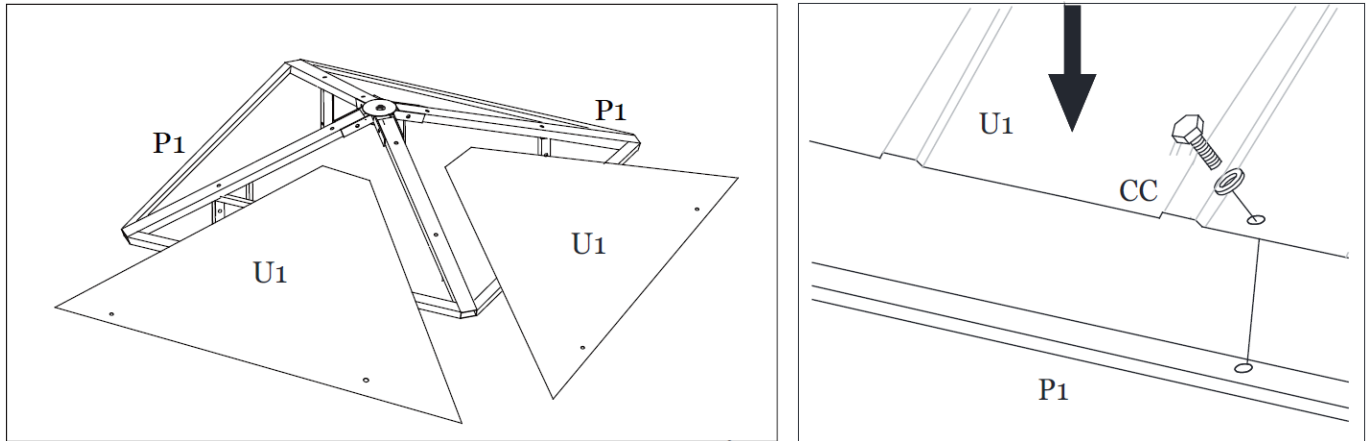


Figure 9-1

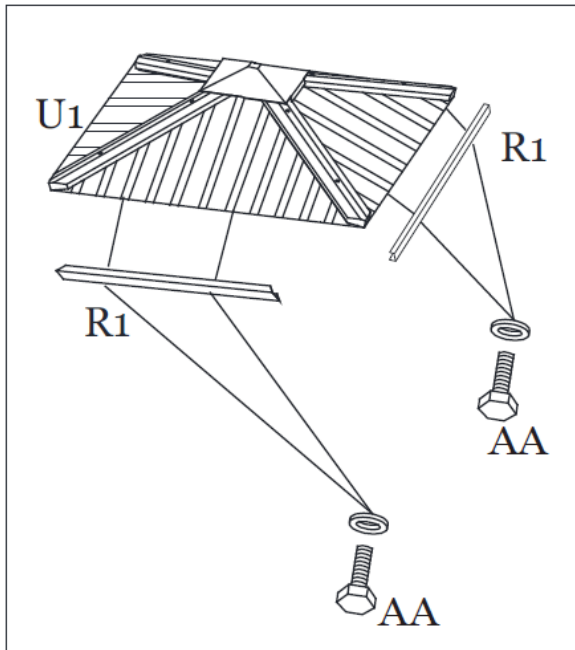


Figure 9-3

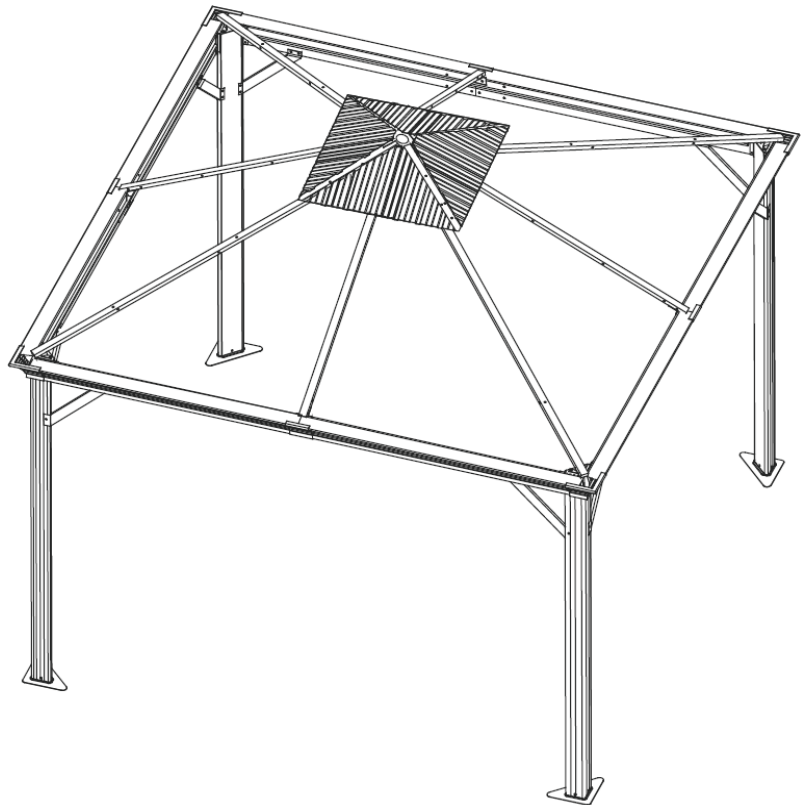


Figure 9-2

Step 10A: Attach the Roof Vent Corner Trim (Q2) to the Roof Vent Corner Support (K1) using Bolts (FF). See Figure 10-1.

Step 10B: Repeat for all corners. **Tighten all Bolts.** See Figure 10-2.

Step 10C: Attach the Roof Vent Top Trim (L) to the Roof Vent Center Support (K2) using Bolt (AA). **Tighten all Bolts.** See Figure 10-2 and Figure 10-3.

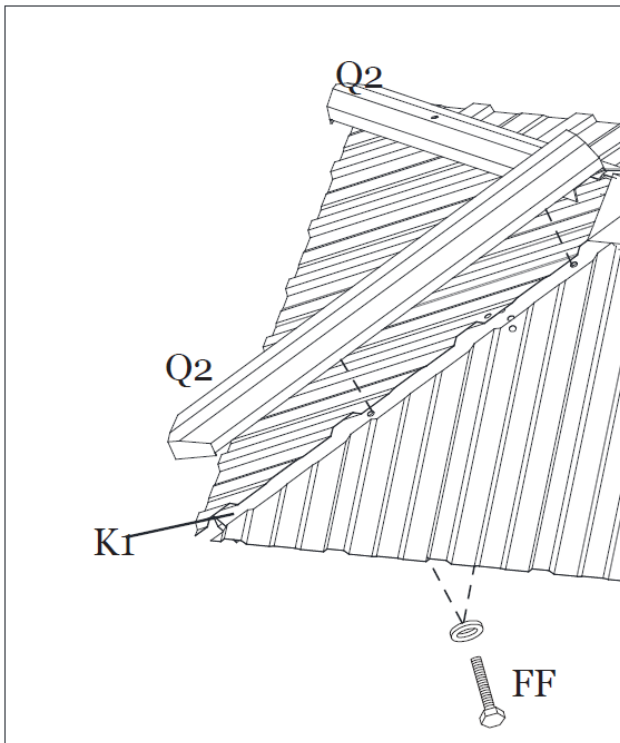


Figure 10-1

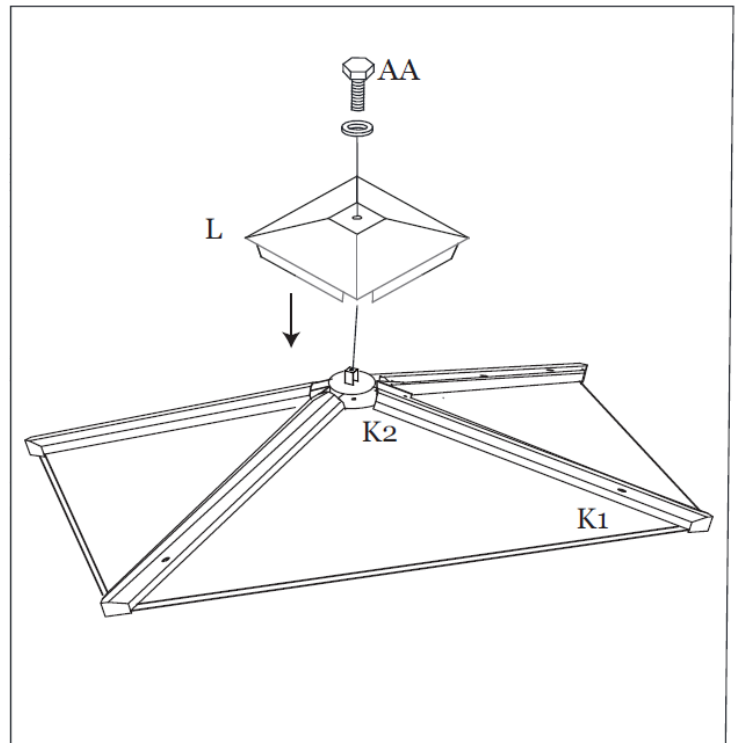


Figure 10-3

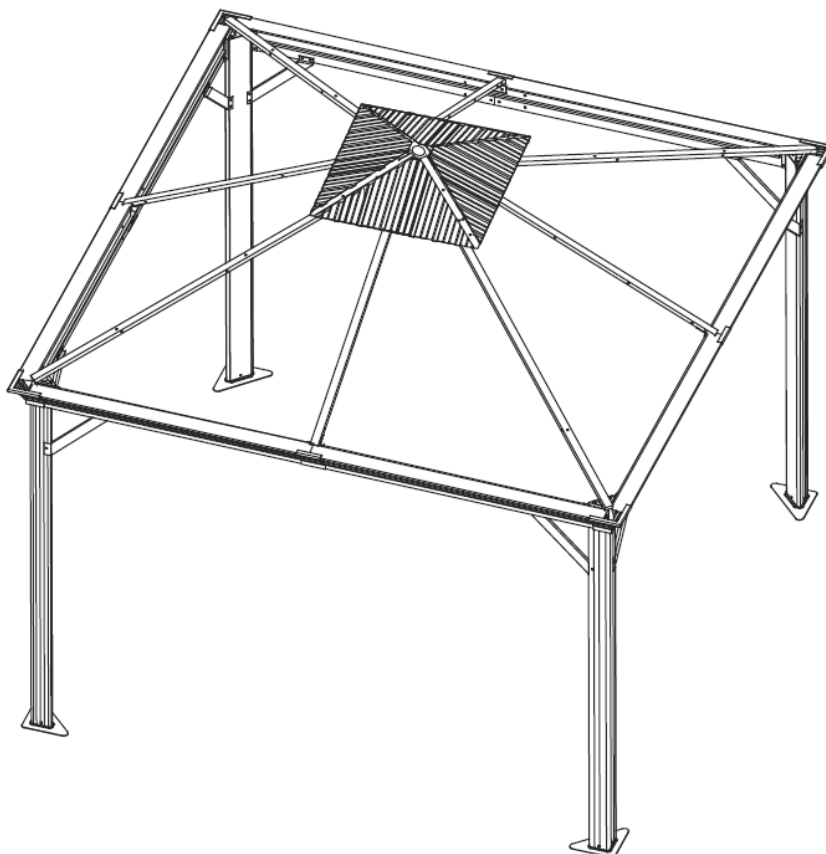


Figure 10-2

Step 11A: Attach the Main Roof Connectors (O1) to the Main Roof Corner Supports (H) using Bolts (AA). See Figure 11-1.

Step 11B: Attach the Main Roof Connectors (O2) to the Main Roof Vertical Center Supports (I) using Bolts (AA). See Figure 11-2.

Step 11C: Attach the Main Roof Horizontal Supports (M and N) to the Main Roof Connectors (O1) using Bolts (AA). See Figure 11-3.

Step 11D: Attach the Main Roof Horizontal Supports (M and N) to the Main Roof Connectors (O2) using Bolts (AA). See Figure 11-4.

Step 11E: Repeat for all sides. **Tighten all Bolts.** See Figure 11-5.

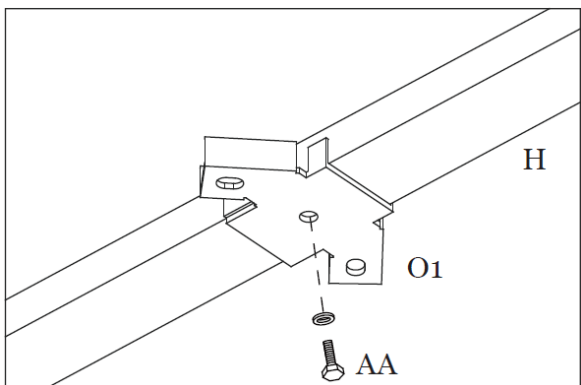


Figure 11-1

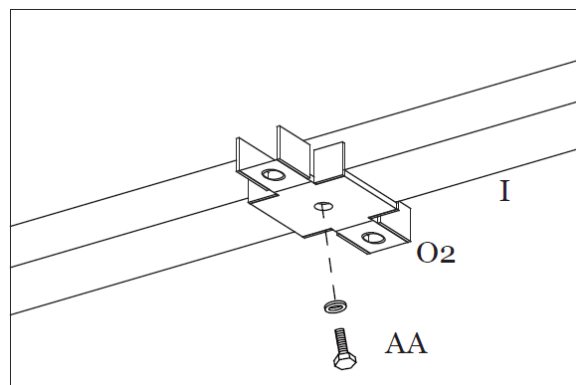


Figure 11-2

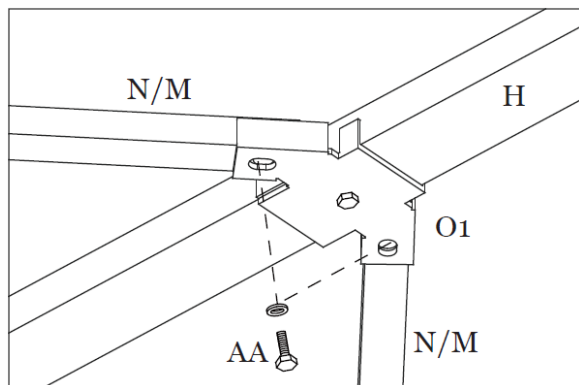


Figure 11-3

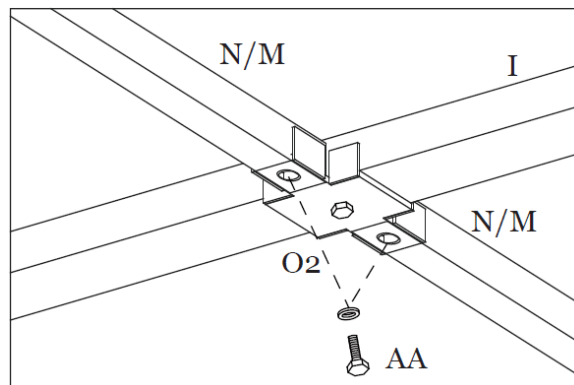


Figure 11-4

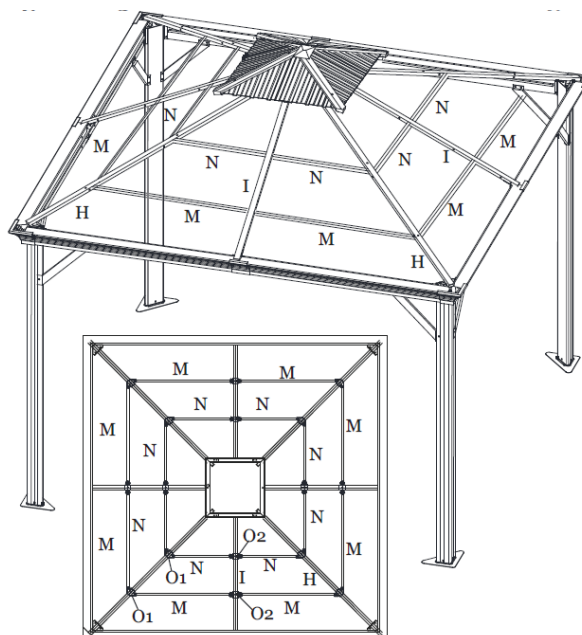


Figure 11-5

MAIN ROOF PANEL ASSEMBLY

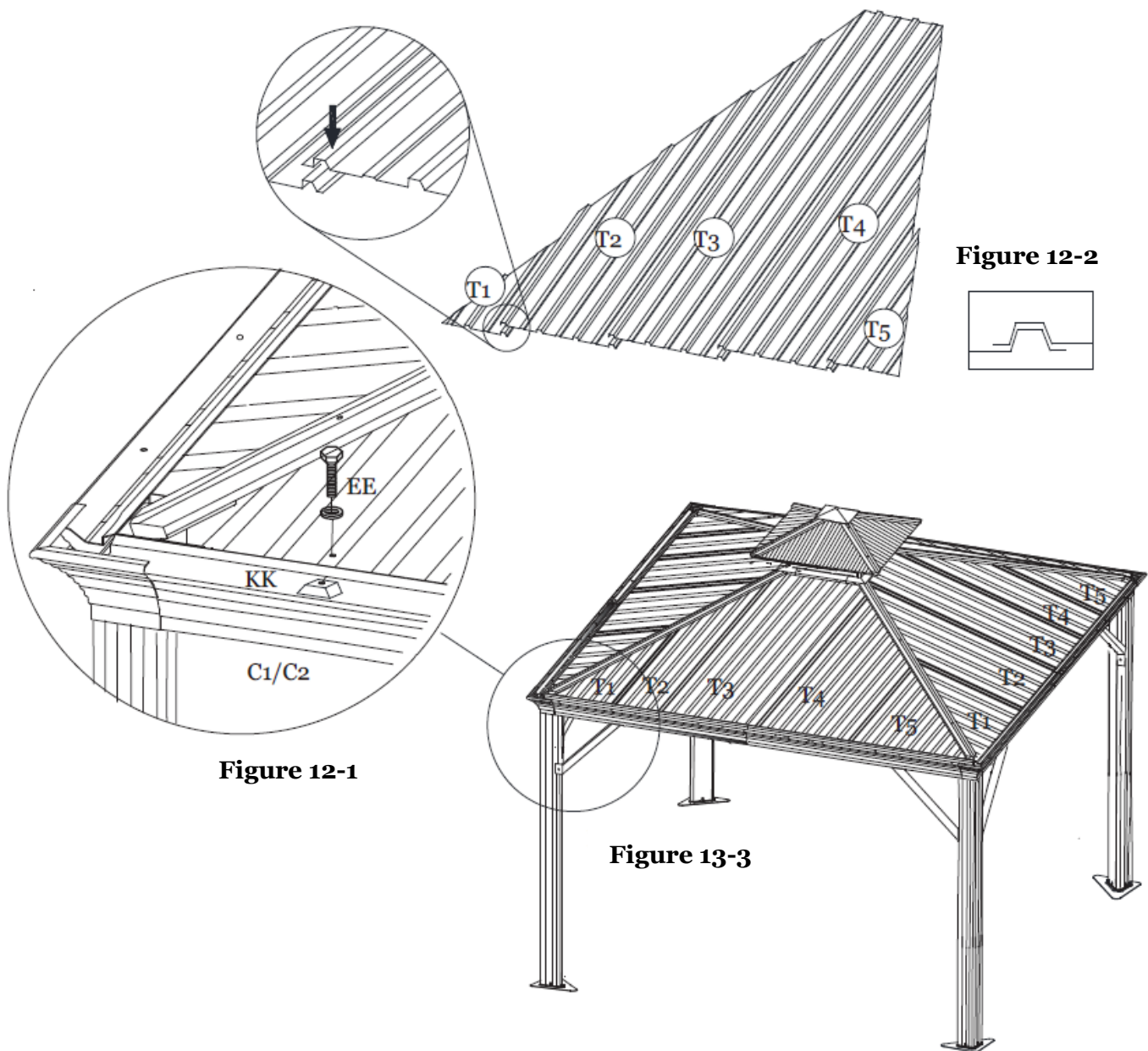
Note: Install Main Roof Panels from Left to Right. The Right Panel must overlap the Left Panel. Each Bolt (EE) must be attached to Spacer (KK) on top of lintels. Hand Tighten only until all panels have been installed then tighten all bolts.

Step 12A: Attach Main Roof Left Panel (T1) to Lintel (C1) using Bolt (EE) and Spacer (KK). **Hand Tighten Only.** See Figure 12-1.

Step 12B: Attach Main Roof Left Panel (T2) to Lintel (C2) using Bolt (EE) and Spacer (KK).

Note: Panel (T2) must overlap Panel (T1). Repeat installation and overlapping for Main Roof Panels (T3, T4, and T5) using Bolt (EE) and Spacer (KK). See Figure 12-2.

Step 12C: Repeat for opposite sides. **Tighten all Bolts.** See Figure 12-3.



Step 13A: Attach the Main Roof Corner Trim (Q1) to the Main Roof Corner Support (H) using Bolt (GG). Repeat for all corners. See Figure 13-1 and Figure 13-3.

Step 13B: Attach the Main Roof Center Frame Trim (Q3) to the Main Roof Center Frame (J) using Bolts (AA). Repeat for all sides. **Tighten all Bolts.** See Figure 13-2 and Figure 13-3.

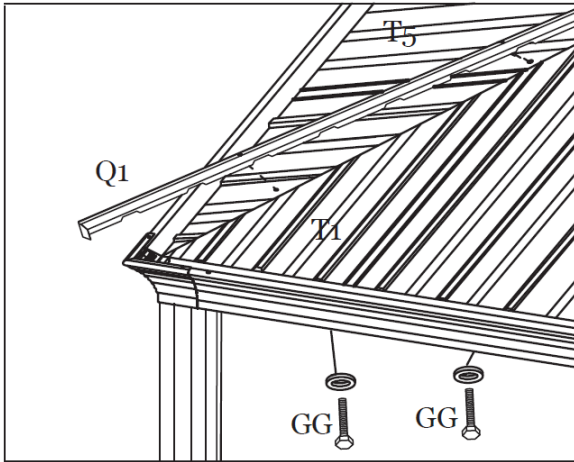


Figure 13-1

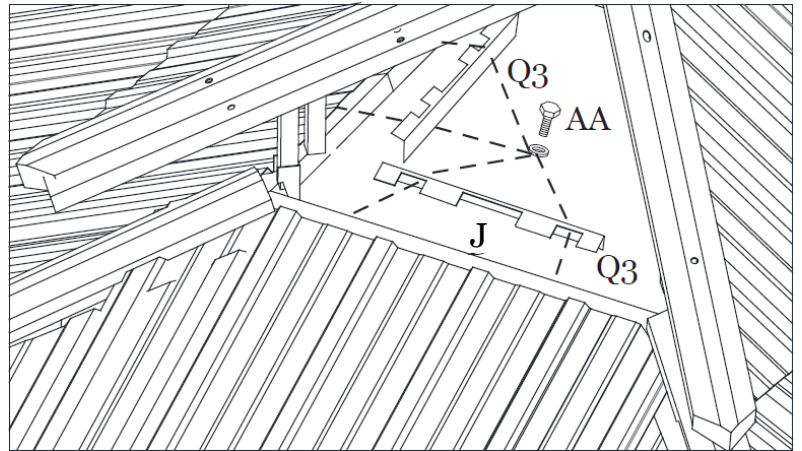


Figure 13-2

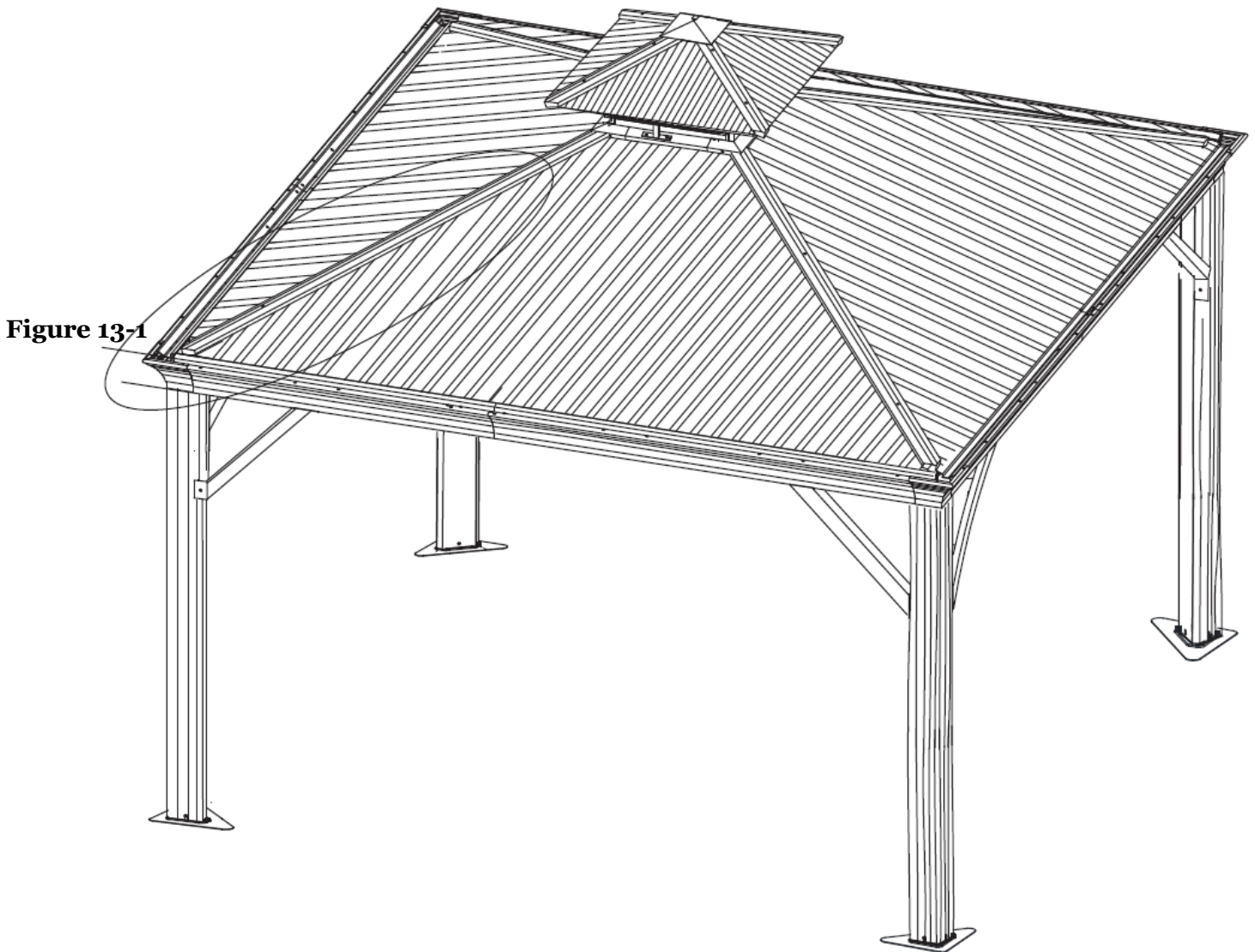


Figure 13-3

Step 14A: Attach the Mosquito Net (V) to the Mosquito Net Hooks (JJ). Repeat for all sides. See Figure 14-1 and Figure 14-3

Step 14B: Secure the gazebo by inserting the Ground Stakes (LL) into the Base Plates (B). Repeat for all corners. See Figure 14-2 and Figure 14-3.

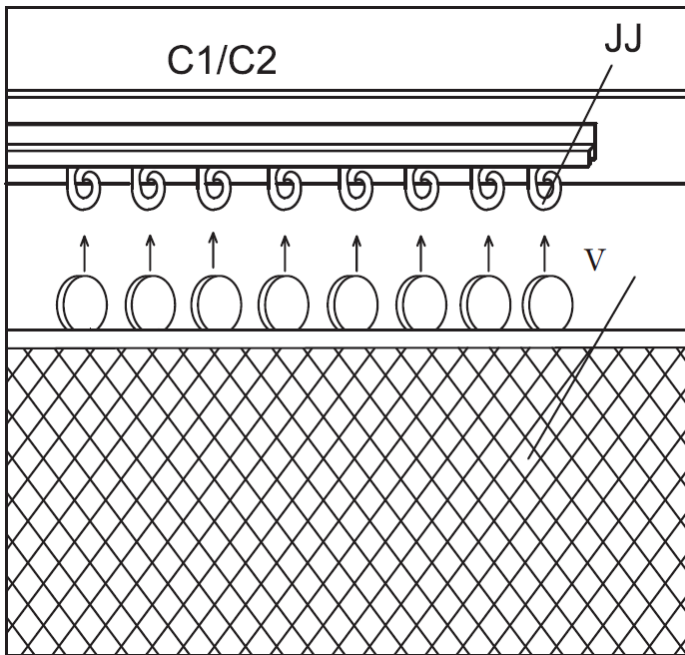


Figure 14-1

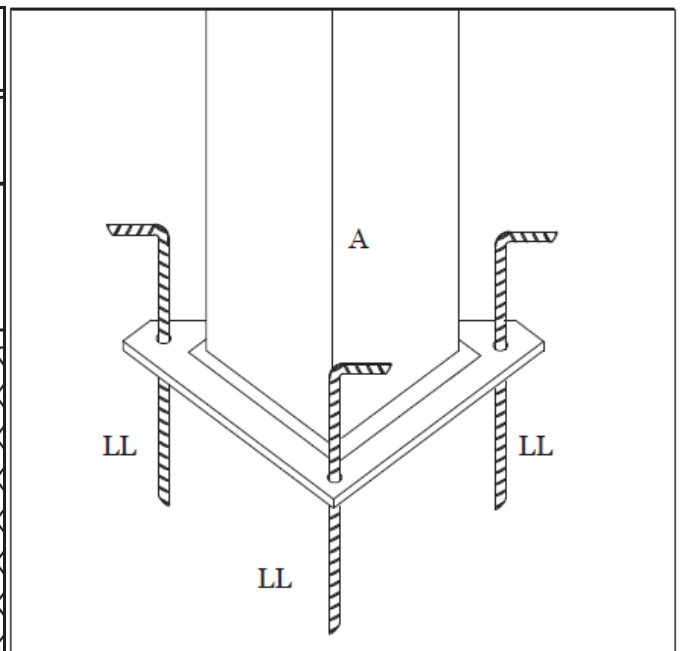


Figure 14-2

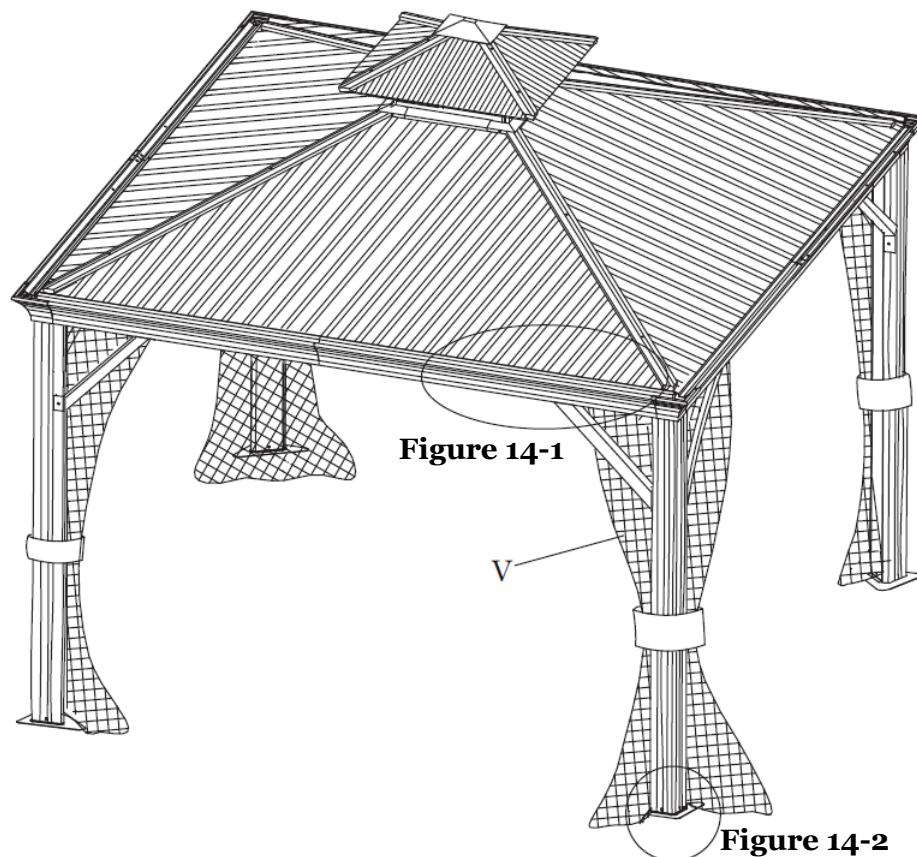


Figure 14-3

Note: Please see our video for additional assembly assistance:

<https://shadenshelters.com/10x10-granite-peak-gazebo>

Granite Peak Gazebo Accessories

Please visit www.fleetfarm.com or www.shadenshelters.com

- Privacy Curtain
- Winter Cover
- Replacement Mosquito Netting

Care & Maintenance

Maintain your gazebo with a Winter Cover and Winter Roof Support when storing for winter.

Frame: Clean frames with a mild soap and warm water. Do not use abrasive materials, cleaners or bleach. Rinse with clean water and dry thoroughly.

Fabric: Mosquito Netting may be cleaned by hand with a mild solution of soap and water. Rinse thoroughly and allow to drip dry. Do not use bleach or solvents on fabrics.

Warranty

You must retain the original receipt to obtain warranty service.

What is covered?

Frame: Frame is warranted against rusting for 1-year

Finish: Frame finish is warranted against peeling, cracking or blistering for 1-year if the product has not been scratched or abraded.

Fabric: Mosquito Netting is covered by a 1-year warranty against manufacturing defects.

What is not covered?

EXCLUSIONS: Gazebo use for commercial, contract, or other non-residential purposes, damage due to acts of nature, vandalism, misuse, or improper assembly are not covered. Discoloration or fading of the finish or fabrics as a result of chemicals or spills, pool water chemicals or salt water is not covered. Mildew of fabric is not covered. Corrosion and rusting of frames and hardware is not covered. If within the stated warranty period this product is found to be defective in material or workmanship, the purchaser must contact the manufacturer's customer service department. The manufacturer, at its option, will repair or replace the defective parts. Proof of purchase (dated register receipt) is required for warranty claims. It remains the customer's responsibility to pay for freight and packaging charges to and from the service center. Warranty is to the original purchaser and is non-transferable. Any replacement or warranted items will be in the original style and color, or similar style and color if the original is unavailable or has been discontinued.

Questions, problems, missing or damaged part? Before returning to the store call or email our Customer Service.

Customer Service Contact Information:

Hours: Monday - Friday 8:00 a.m. - 5:00 p.m. Central Time (CT)

Phone: 1-888-607-4417

Email: service@shadenshelters.com