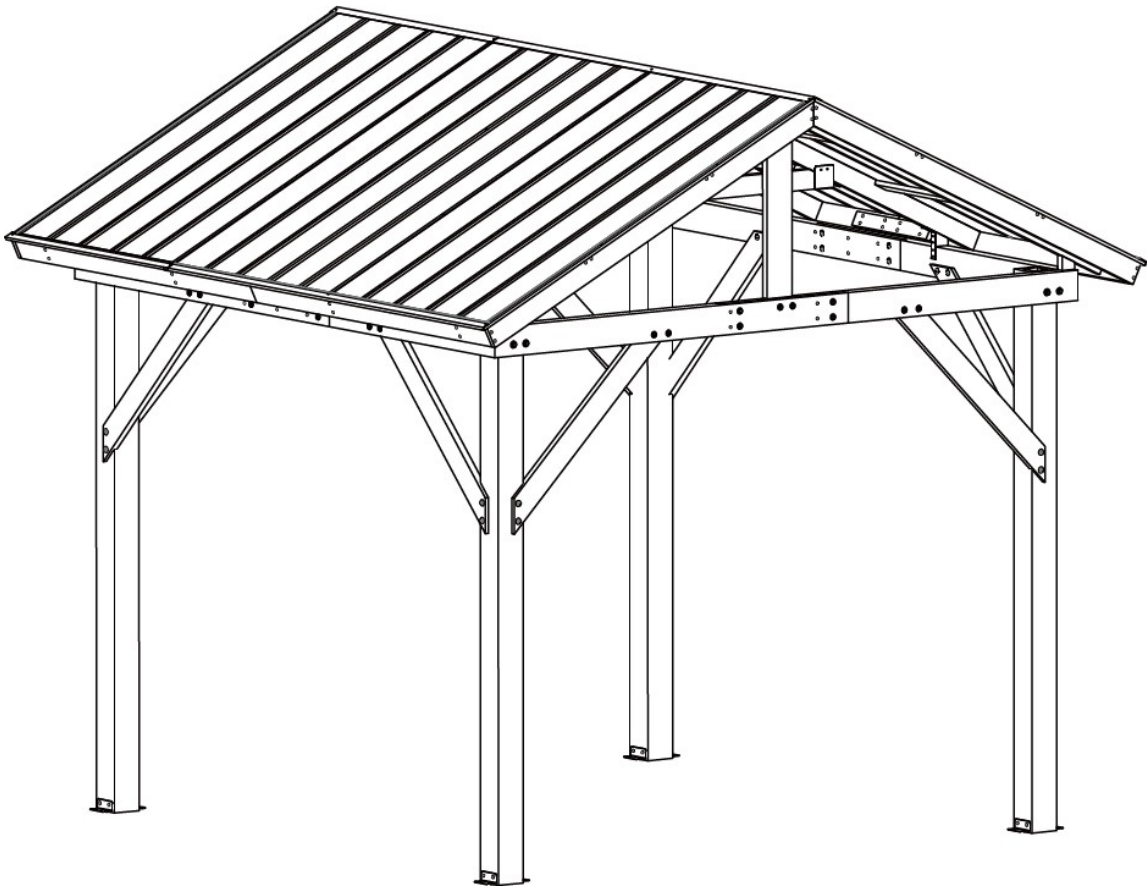


  
Shade N' Shelters

## Owner's Manual

# Chesterfield

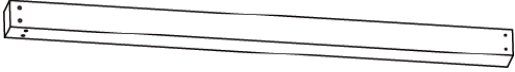
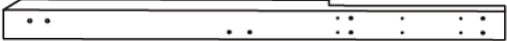
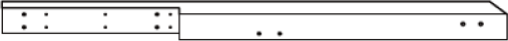

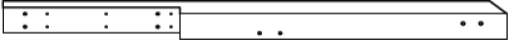

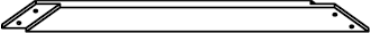
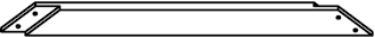
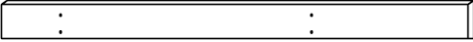
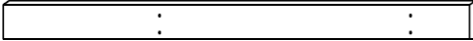

## 10.5' x 10.5' Hard Top Pavilion

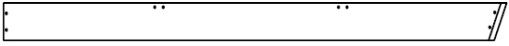

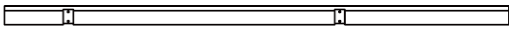
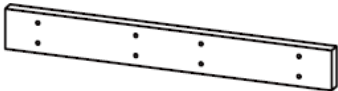


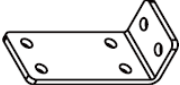
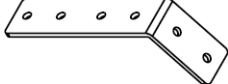










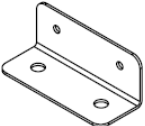
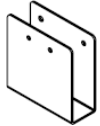
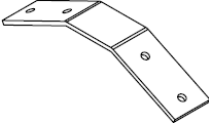




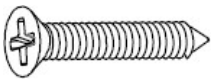
Note: This pavilion frame is designed to be used as a permanent fixture. For more information, please visit <https://shadenshelters.com>.

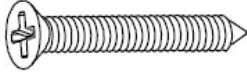
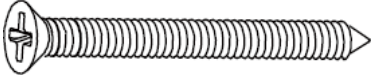
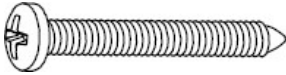
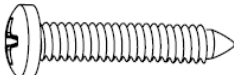







# Parts List

## Chesterfield 10.5' x 10.5' Pavilion

Letter	Illustration	Description	Qty.
A		Post	4
B1		Crossbar - Right Side	2
B2		Crossbar - Left Side	2
C1		Crossbar - Right Side	2
C2		Crossbar - Left Side	2
D		Roof Rafter	2
E1		Conner Support - Right	4
E2		Conner Support - Left	4
F1		Roof Rafter	2
F2		Roof Rafter	2
G		Side Rafter	4

Letter	Illustration	Description	Qty.
H		Roof Rafter	4
I		Roof Rafter	8
J		Roof Support Rafter	8
K		Connecting Rafter	8
L		Connecting Rafter	8
M		Supporting Rafter	2
N		L Share Bracket	4
O		L Shape Bracket	4
P1		Roof Panel	2
P2		Roof Panel	4
Q1		Roof Panel Cap	2
Q2		Roof Panel Cap	2

Letter	Illustration	Description	Qty.
R1		Roof Cap	1
R2		Roof Cap	1
S1		Roof Panel Profile	2
S2		Roof Panel Profile	2
T		Base Bracket	8
U		U Shape Bracket	4
V		V Shape Bracket	4
W		Ground Stake	16
AA		M10 x 180mm Bolt	16
BB		M8 x 60mm Bolt	16
CC		M8 x 80mm Bolt	20
DD		M5 x 25mm Screw	88

Letter	Illustration	Description	Qty.
EE		M4 x 35mm Screw	160
FF		M5 x 50mm Screw	48
GG		M5 x 30mm Screw	60
HH		M8 x 40mm Screw	16
II		M5 Washer	44
JJ		M8 Washer	52
KK		M10 Washer	16
LL		M8 Nut	26
MM		M10 Nut	16
NN		Open Wrench	2
OO		Allen Wrench	1

# Assembly Instructions

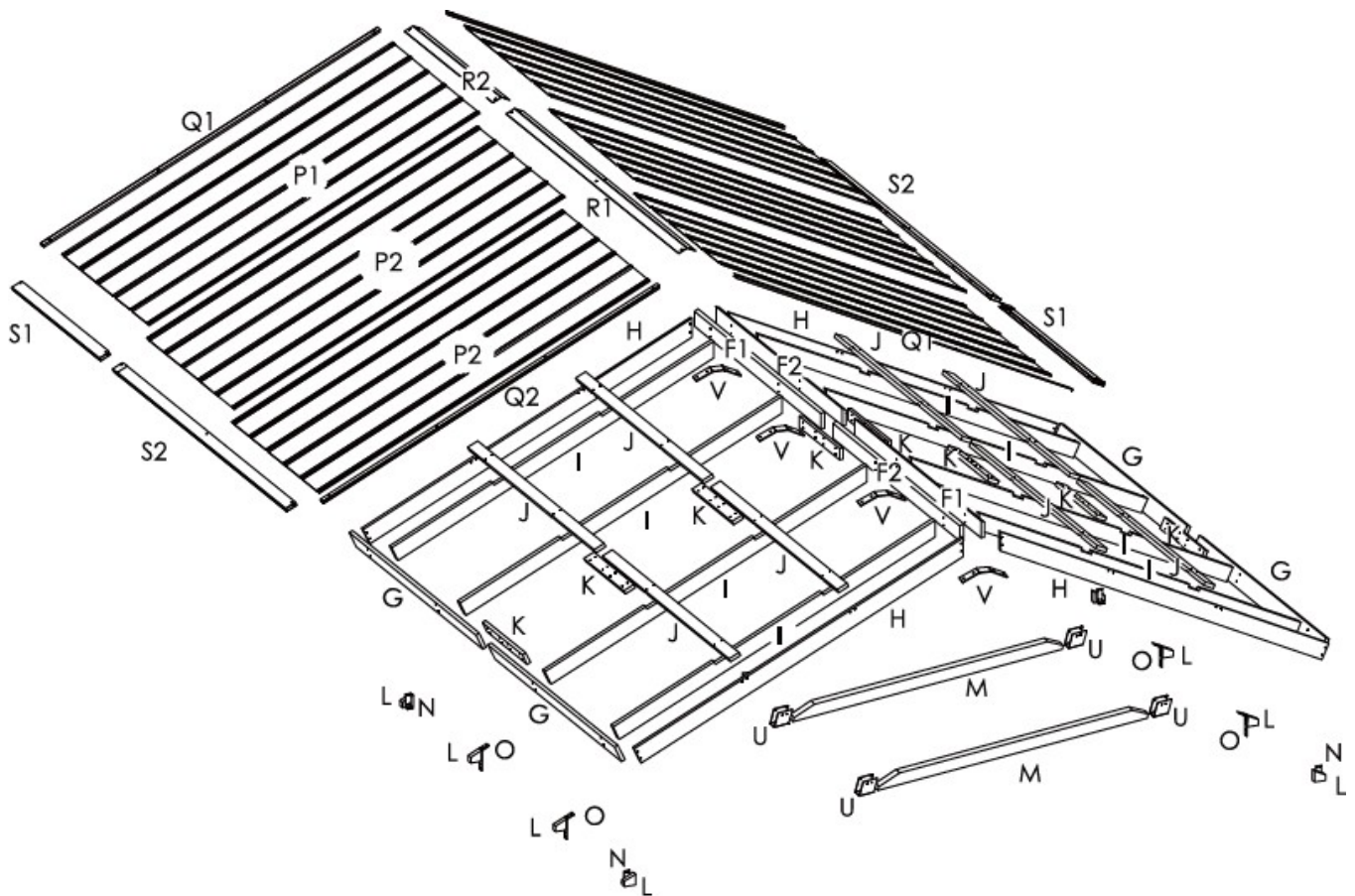
## Chesterfield 10.5' x 10.5' Pavilion

### Important:

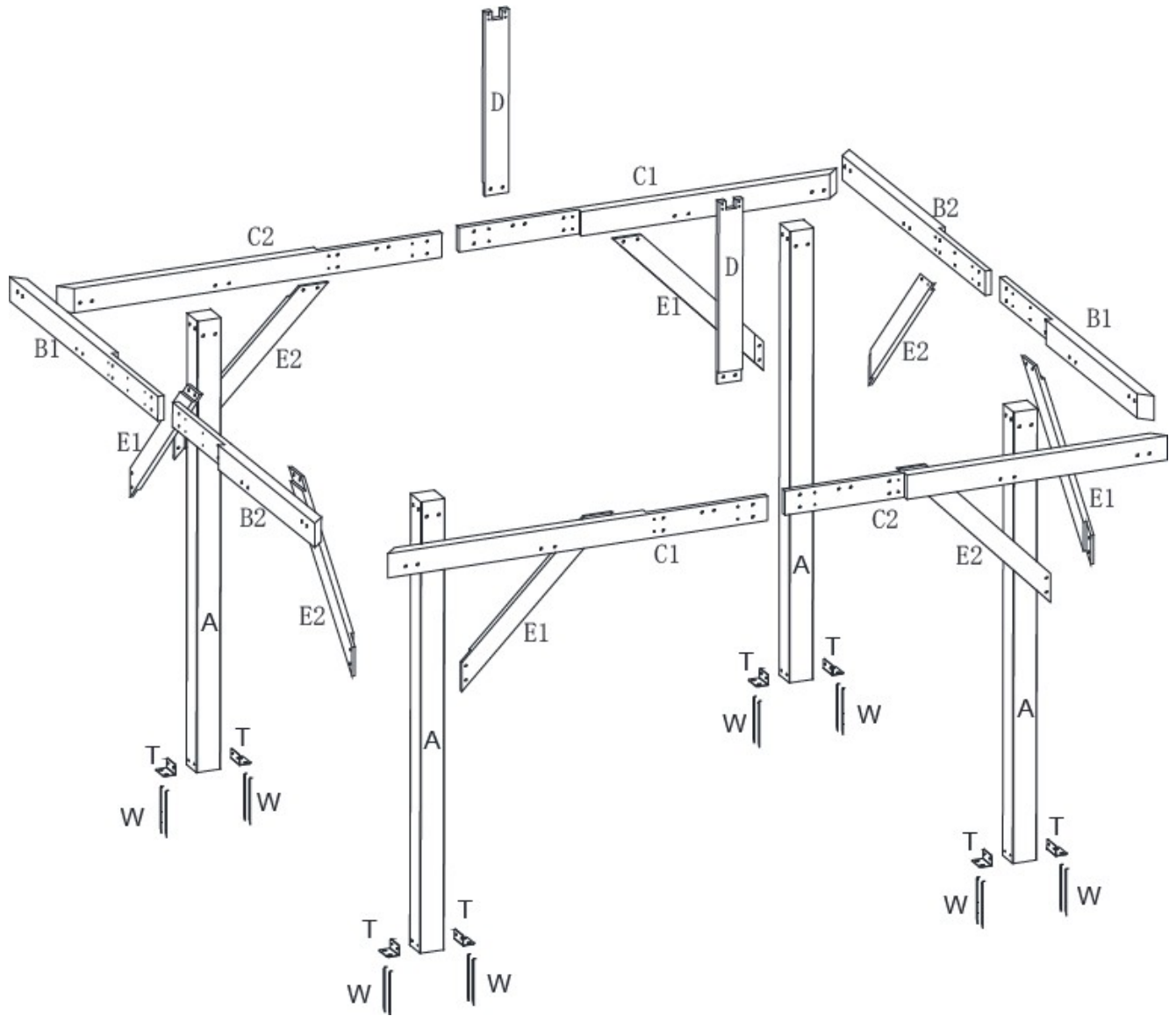
- Read all the instructions before assembly. Failure to do so may result in faulty assembly and potential injury.
- Before assembling the product, remove all protective materials, hardware kit(s), and identify all parts packed in the carton are present. (Note: If any part is missing or damaged, do not attempt to assemble). Contact Shade N' Shelters Customer Support. See page 31.
- Assemble on a stable level surface to avoid damage to gazebo and possible injury.
- Two people are required to assemble this product.
- Gazebo dimensions are measured from roof corner to roof corner.

**WARNING: DO NOT TIGHTEN BOLTS UNTIL NOTED AFTER EACH STEP!**

### Roof Assembly Overview

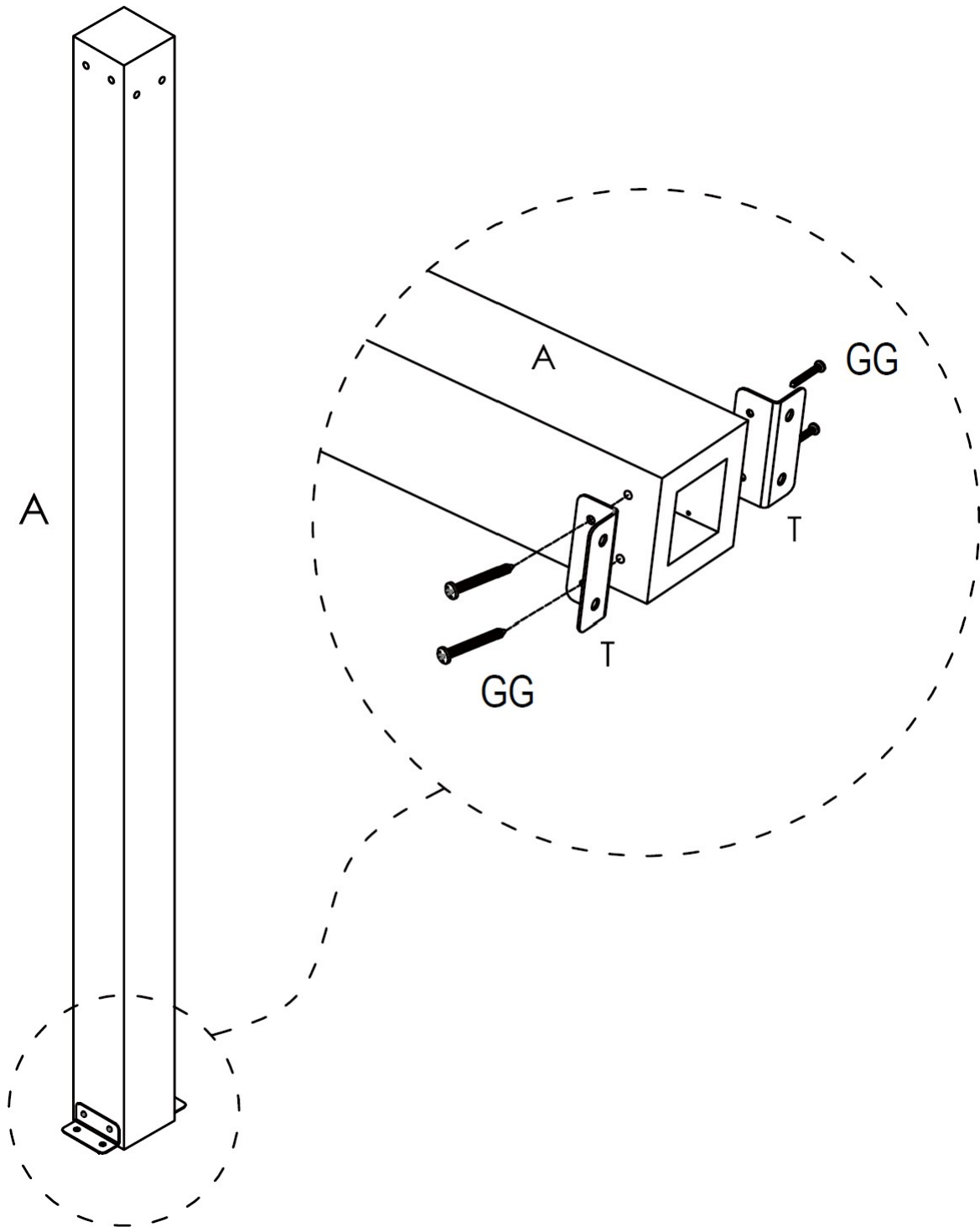


# Frame Assembly Overview



**Step 1:** Attach the Base Bracket (T) to the Post (A) using Screws (GG). See Figure 1.

**Note:** use the small holes on Base Bracket (T) when attaching to Post (A).

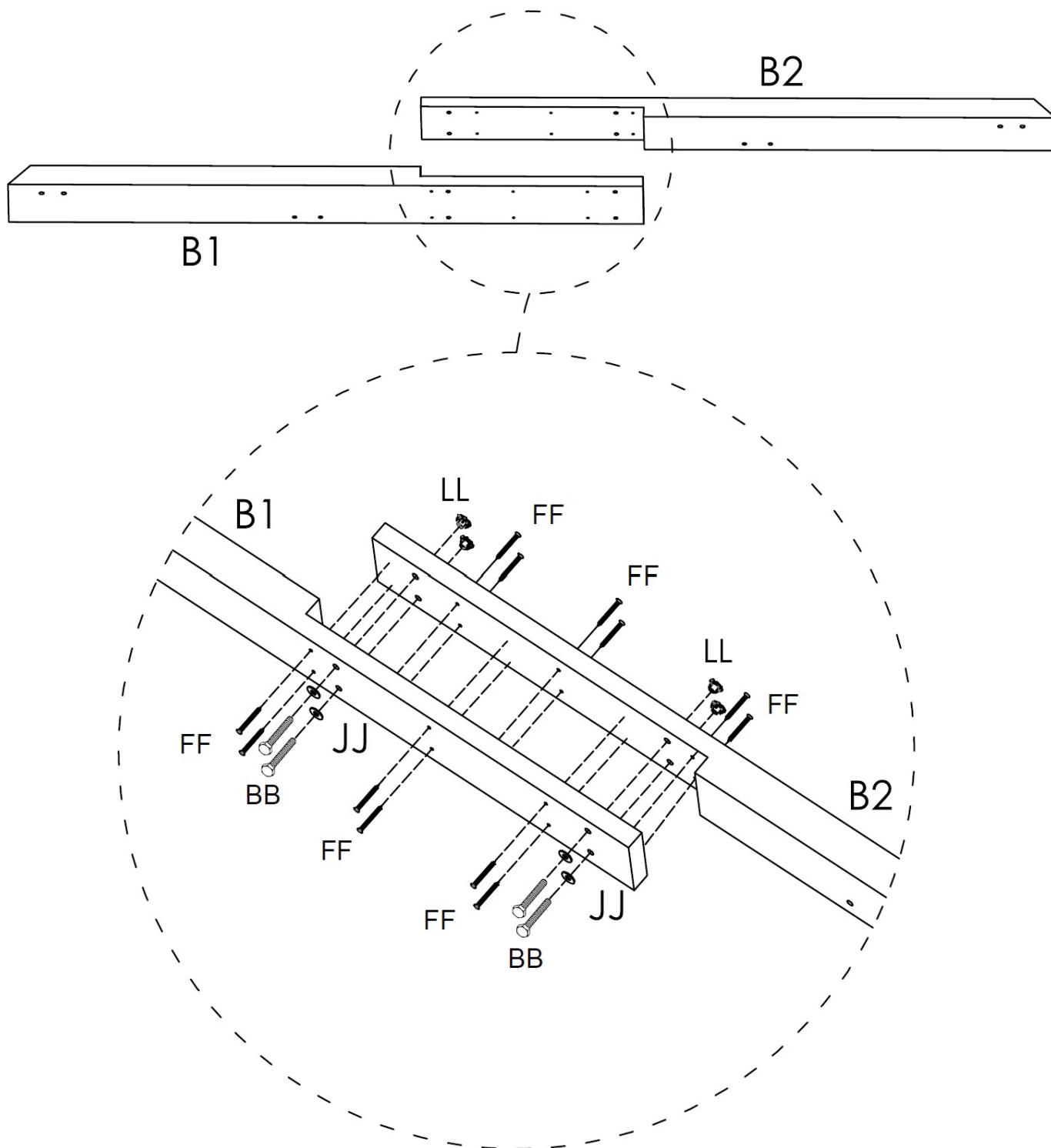


**Figure 1**



**Step 2:** Attach Crossbar Right Side (B1) to Crossbar Left Side B2 using Bolts (BB), Washers (JJ), Nuts (LL) and Screws (FF). See Figure 2.

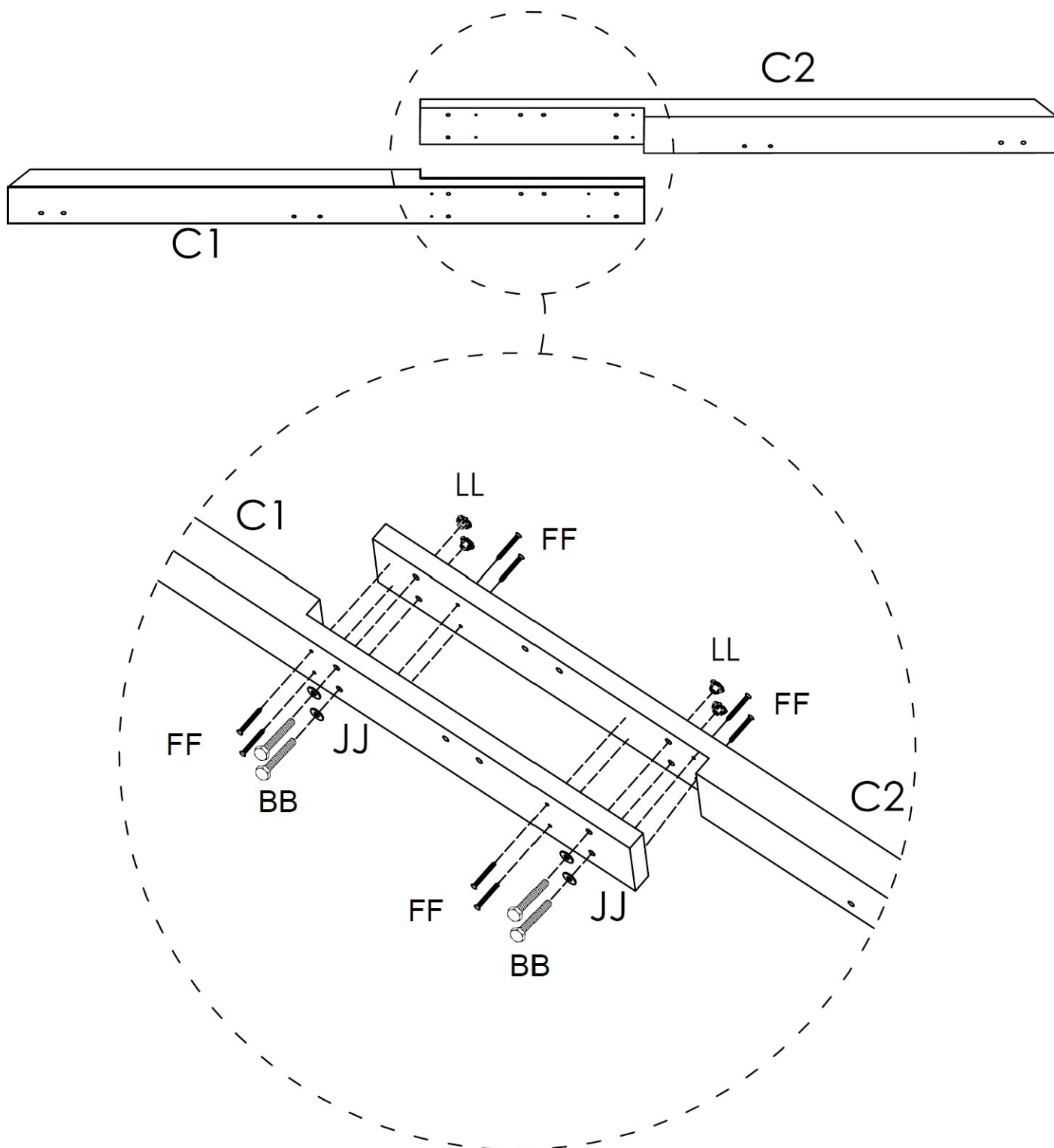
**Note:** Attach the bolts before the Screws.



**Figure 2**

**Step 3:** Attach Crossbar Right Side (C1) to Crossbar Left Side (C2) using Bolts (BB), Washers (JJ), Nuts (LL) and Screws (FF). See Figure 3.

**Note:** Attach the bolts before the Screws.

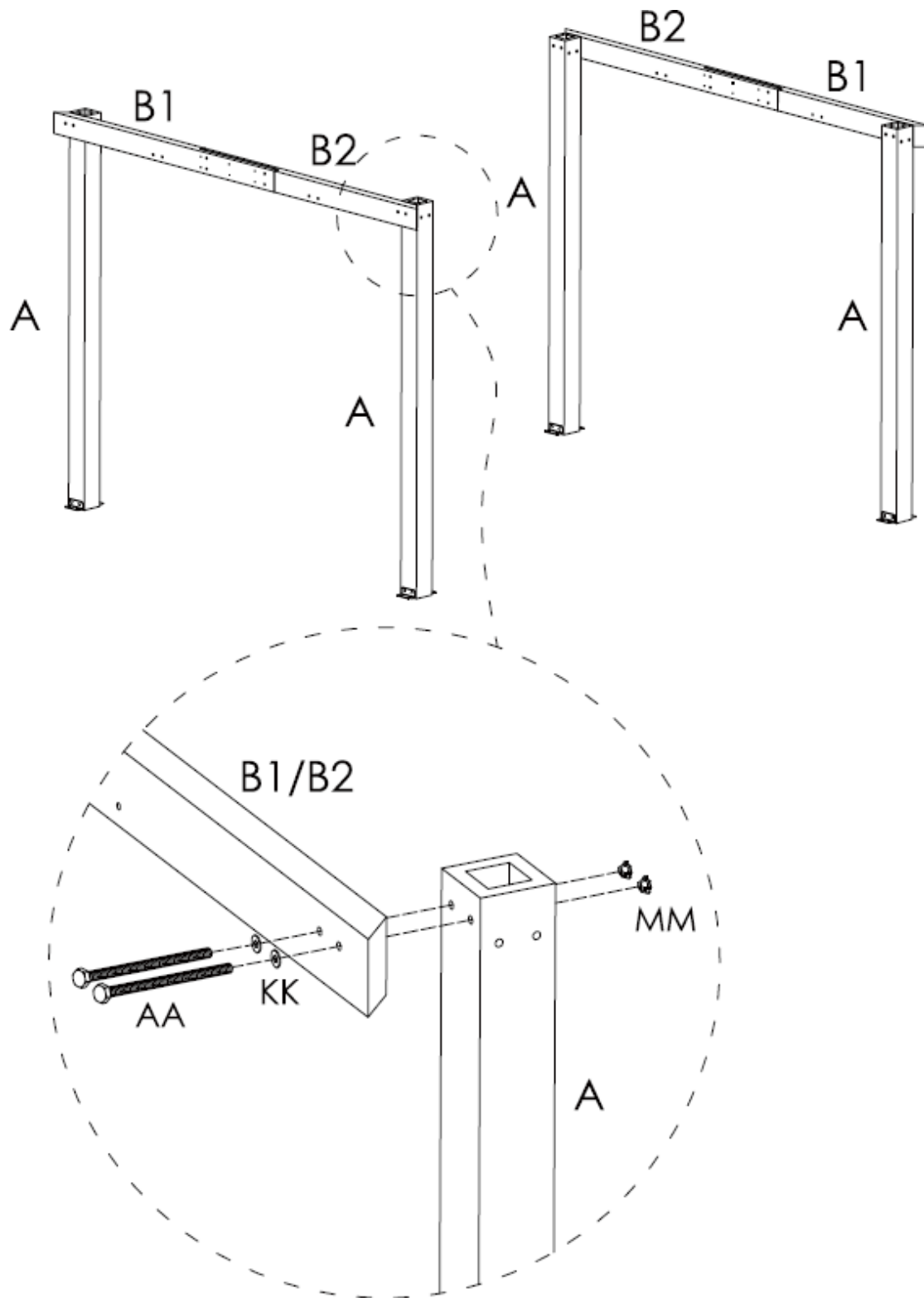


**Figure 3**

**Step 4:** Attach the Posts (A) to the assembled crossbeam (B1 and B2) using Bolts (AA), Washers (KK), and Nuts (MM). See Figure 4.

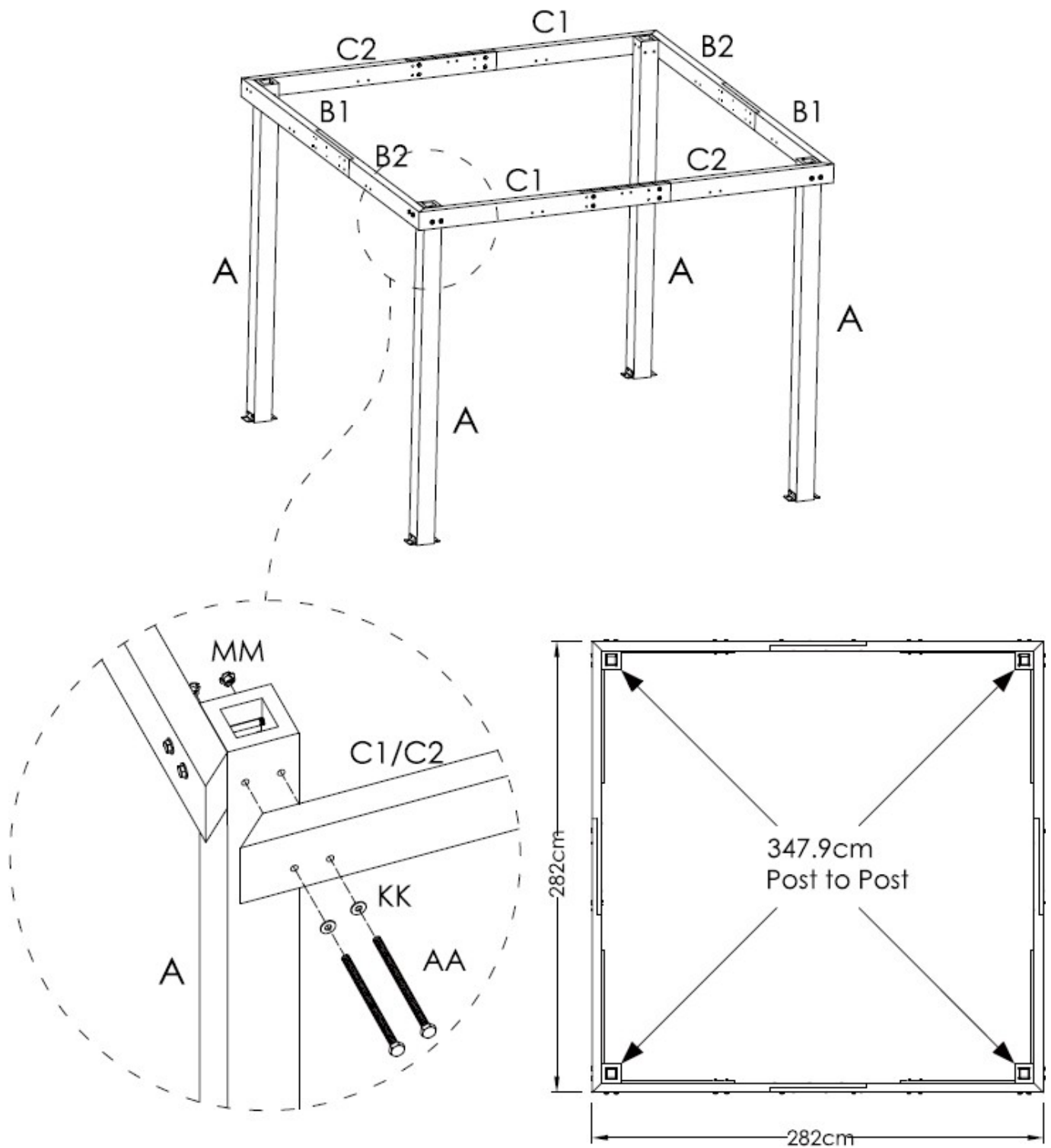
**Note:** Before attaching crossbeams (B1 and B2) make sure you are using the correct holes (Top Holes) on Post (A). See closeup of Figure 4.

**Note:** Crossbeams (B1 and B2) must be facing the correct direction and all remaining holes must be in the correct position (Up or Down). See Figure 4.



**Figure 4**

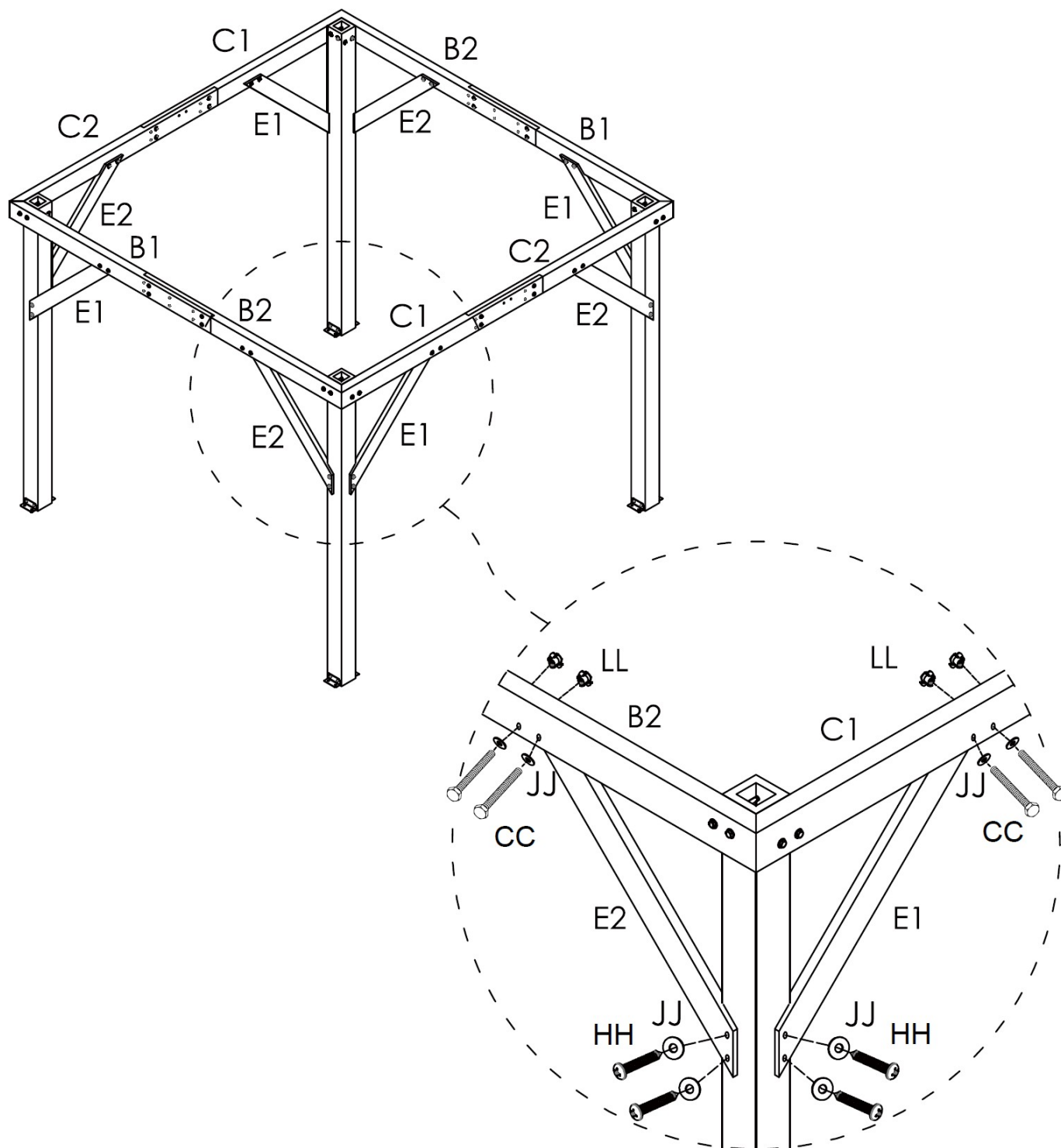
**Step 5:** Attach the Posts (A) to the assembled crossbeam (C1 and C2) using Bolts (AA), Washers (KK), and Nuts (MM). See Figure 5.



**Figure 5**

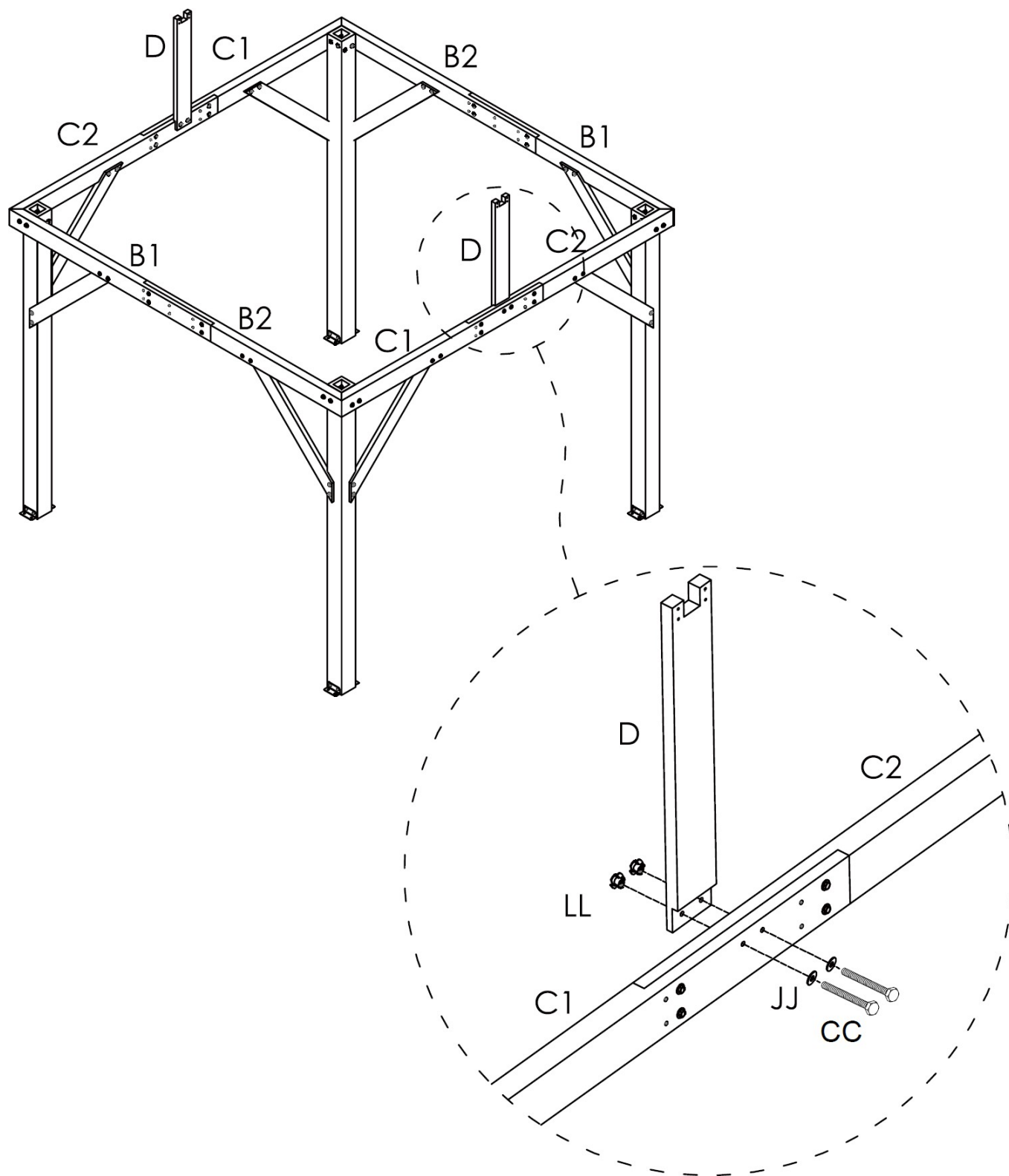
**Step 6A:** Attach Corner Support Right (E1) to Crossbar Right Side (B1 & C1) using Bolts (CC), Washers (JJ) and Nuts (LL). Attach Corner Support Right (E1) to Post (A) using Screws (HH) and Washers (JJ).

**Step 6B:** Attach Corner Support Left (E2) Crossbar Left Side (B2 & C2) using Bolts (CC), Washers (JJ) and Nuts (LL). Attach Corner Support Left (E2) to Post (A) using Screws (HH) and Washers (JJ).



**Figure 6**

**Step 7:** Attach the Roof Rafter (D) to the inside of the assembled crossbeam (C1 and C2) using Bolts (CC), Washers (JJ), and Nuts (LL). See Figure 7.

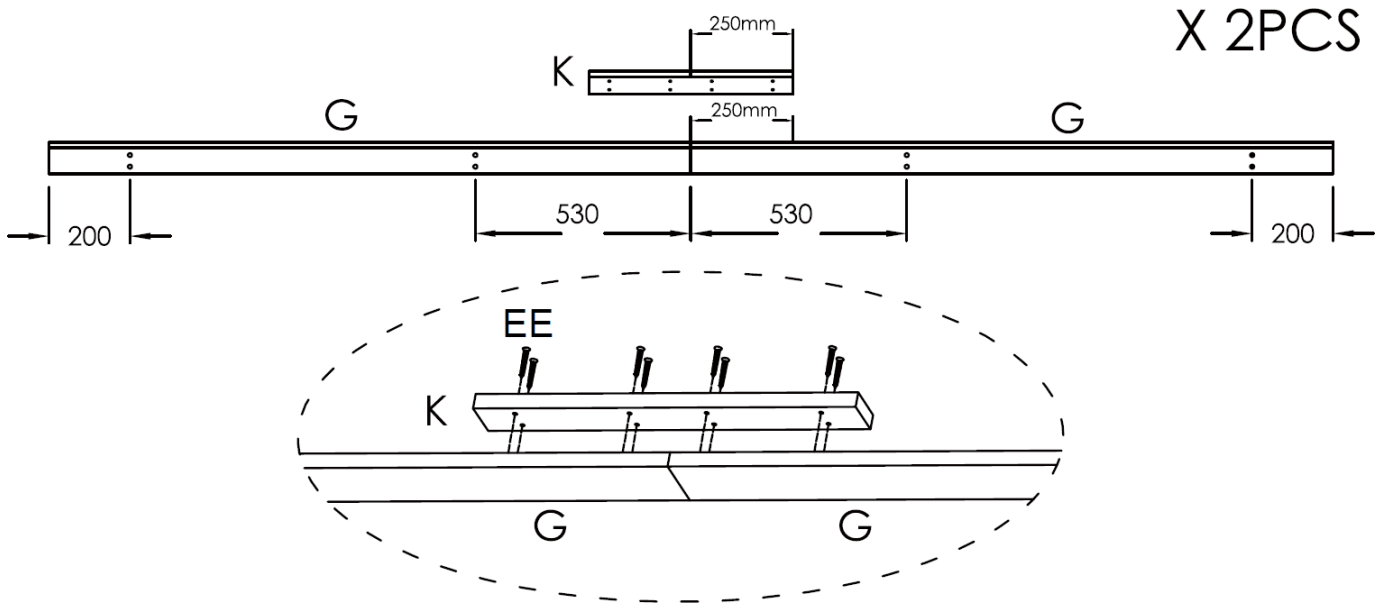


**Figure 7**

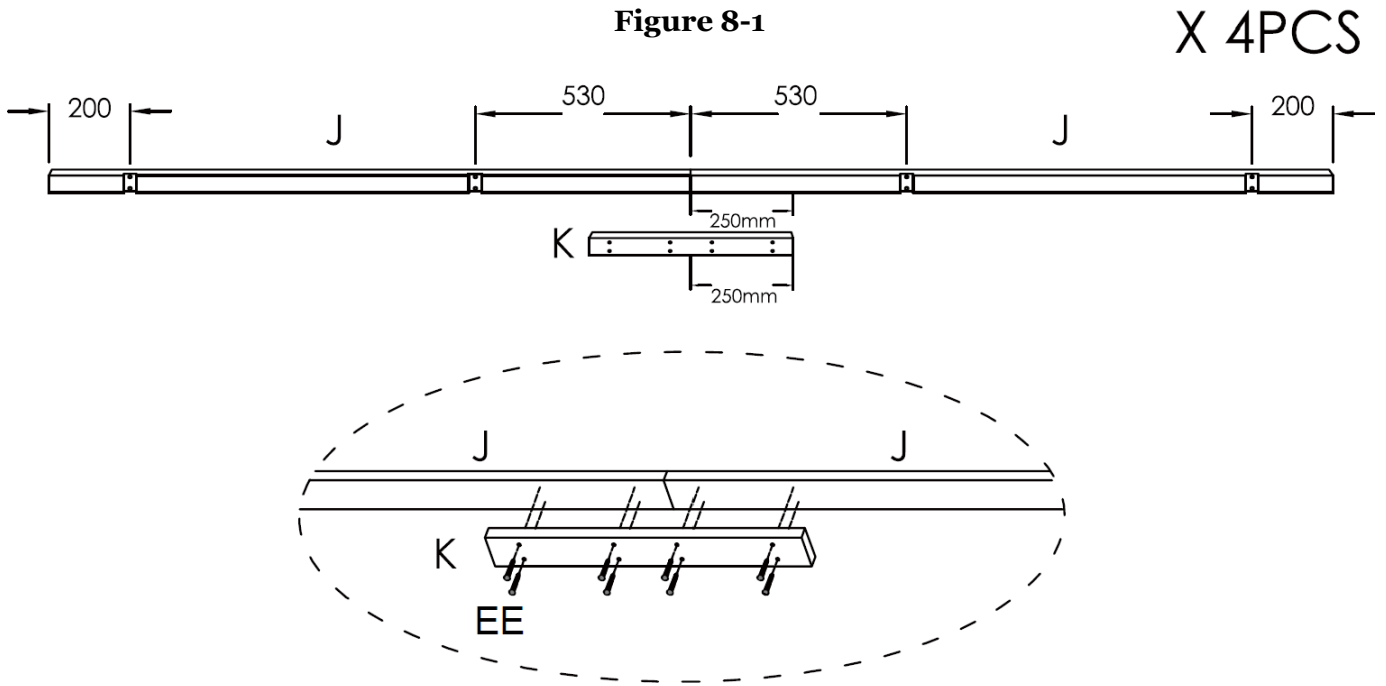
**Step 8A:** Attach the Connecting Rafter (K) to Side Rafter (G) using Screws (EE). Repeat for remaining pieces.

**Tighten all Bolts.** See Figure 8-1.

**Step 8B:** Attach the Connecting Rafter (K) to Roof Support Rafter (J) using Screws (EE). Repeat for remaining pieces. **Tighten all Bolts.** See Figure 8-2.



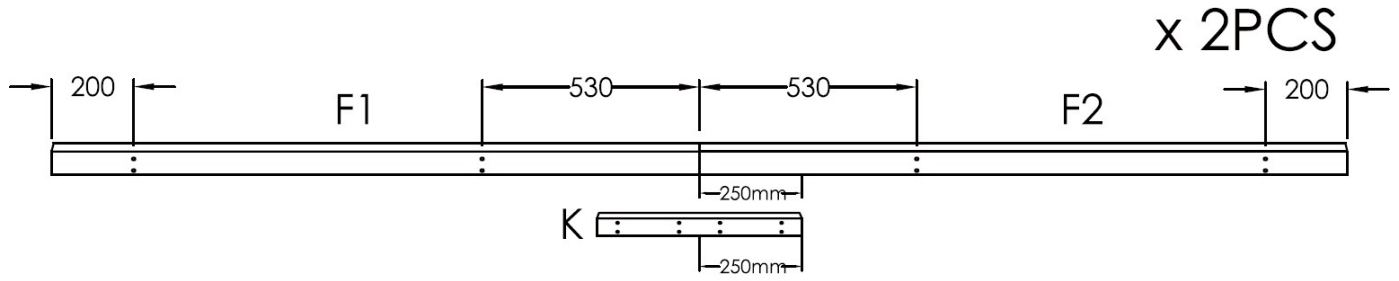
**Figure 8-1**



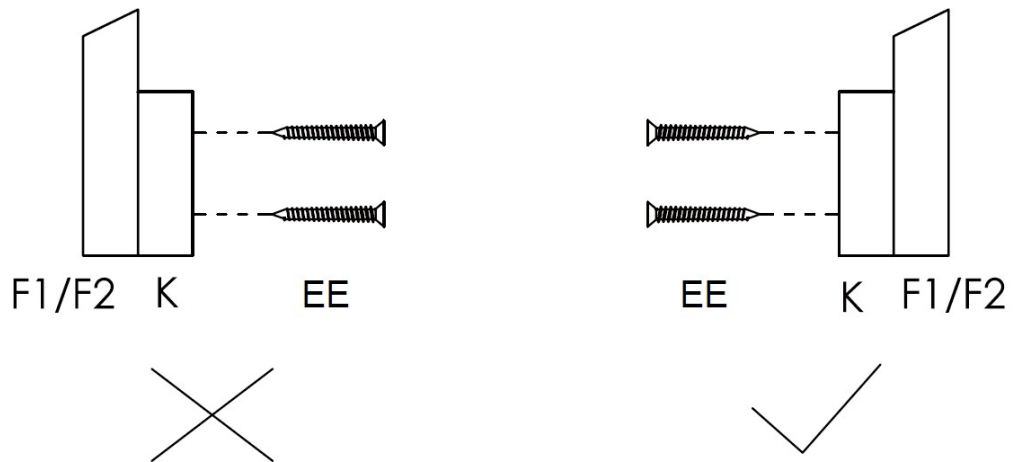
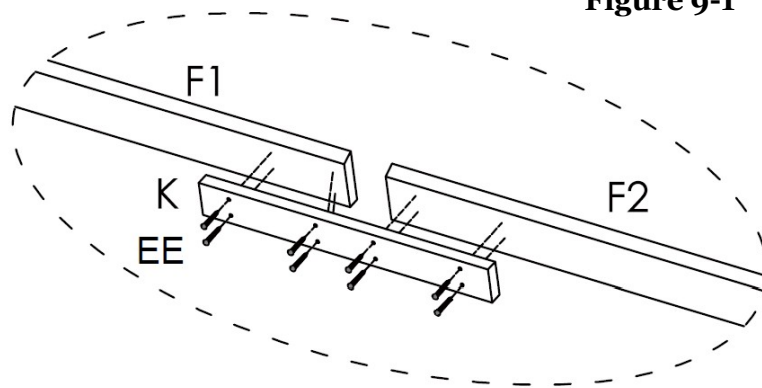
**Figure 8-2**

**Step 9:** Attach the Connecting Rafter (K) to Roof Rafter (F1) and Roof Rafter (F2) using Screws (EE). Repeat for remaining pieces. **Tighten all Bolts.** See Figure 9-1.

**Note:** See Figure 9-2 to make sure Connecting Rafter (K) is on the correct side of Roof Rafter (F1) and Roof Rafter (F2).



**Figure 9-1**



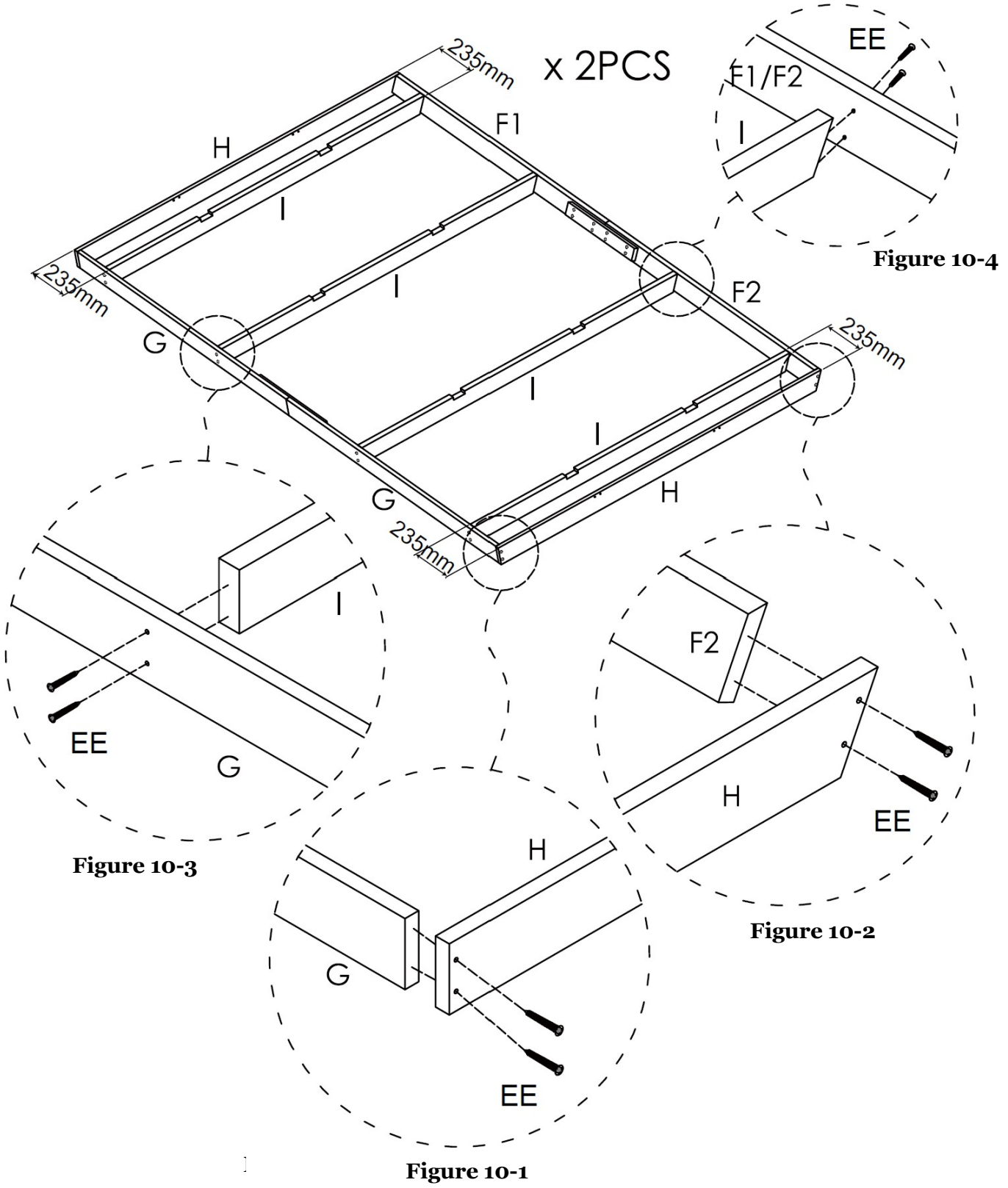
**Figure 9-2**



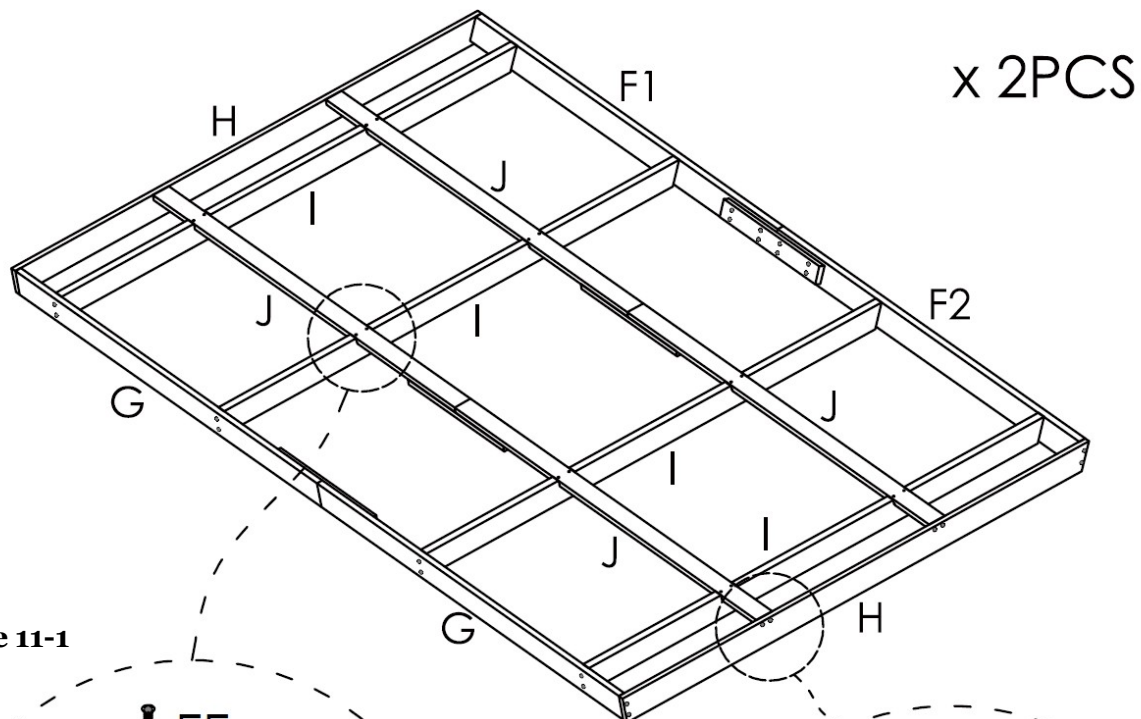
**Step 10A:** Attach the Roof Rafter (H) to Side Rafter (G) using screws (EE). See Figure 10-1. Repeat for other side.

**Step 10B:** Attach the Roof Rafter (H) to the Roof Rafter (F2) using Screws (EE). See Figure 10-2. Repeat for other side.

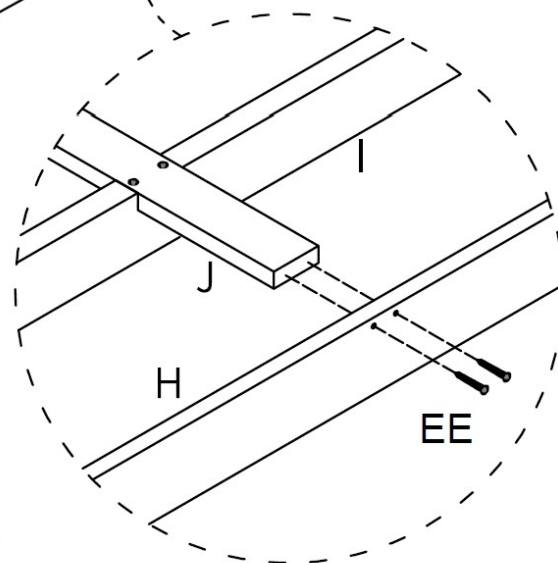
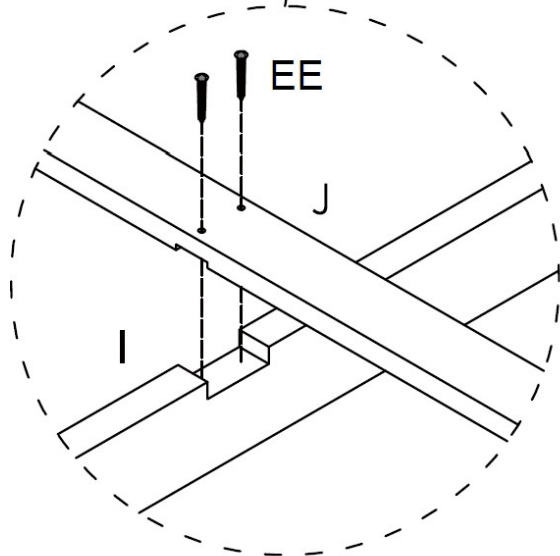
**Step 10C:** Attach Roof Rafter (I) to the Side Rafter (G) and Roof Rafter (F1 and F2) using Screws (EE). See Figure 10-3 and Figure 10-4.



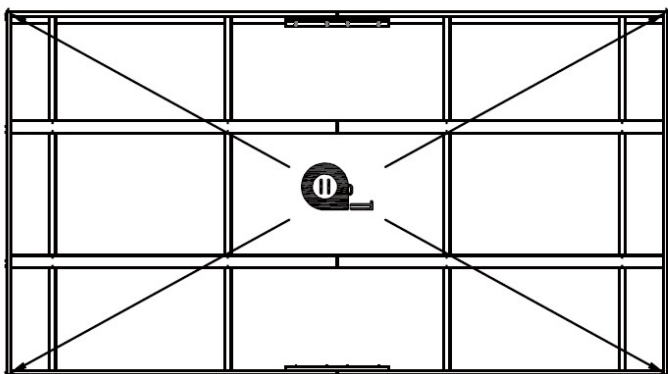
**Step 11:** Attach the Roof Support Rafter (J) to Roof Rafter (H) and Roof Rafter (I) using Screws (EE). See Figure 11-1 and Figure 11-2. Repeat for remaining Roof Support Rafter (J).



**Figure 11-1**

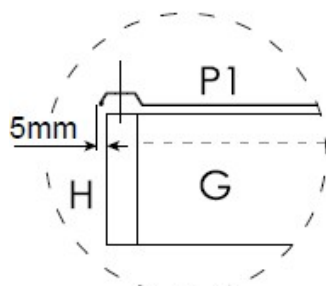


**Figure 11-2**

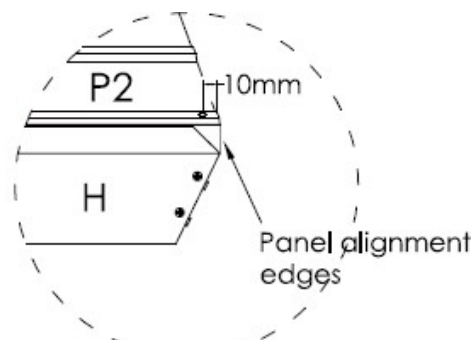


**Figure 11**

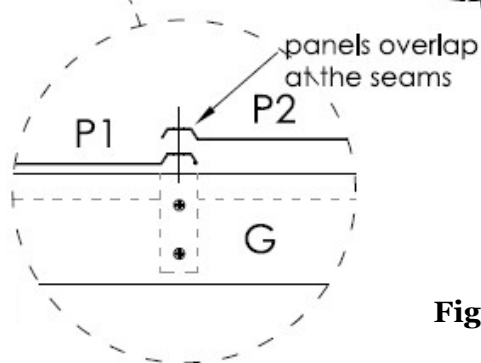
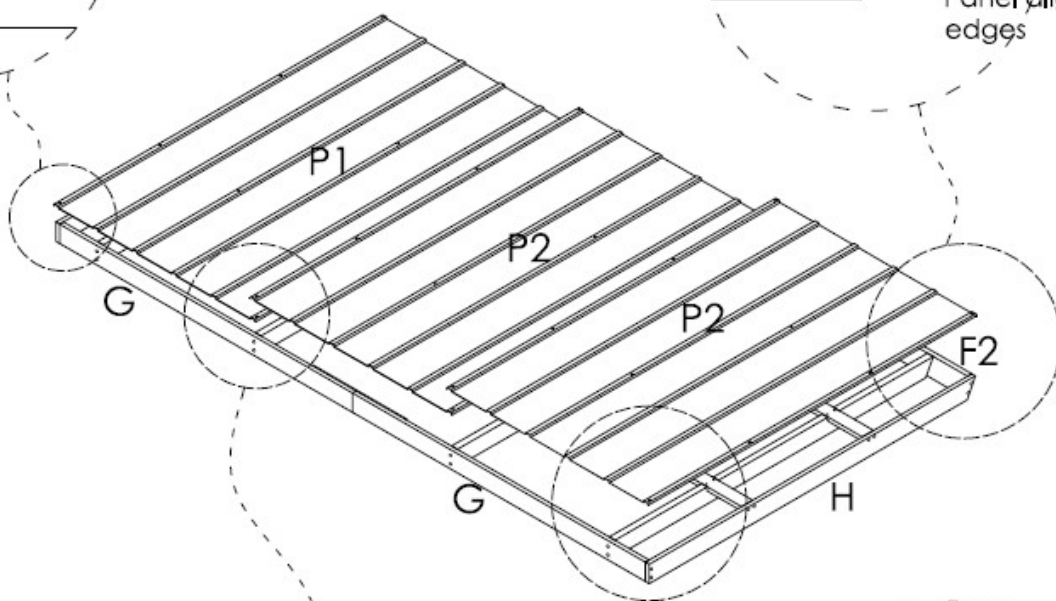
**Step 12:** Place the Roof Panels (P1 and P2) on top of the Roof Frame. The right panel must overlap the left panel. See Figure. 12-2.



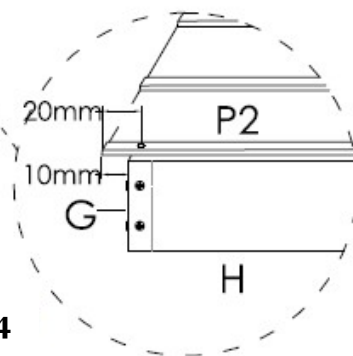
**Figure 12-1**



**Figure 12-3**



**Figure 12-2**



**Figure 12-4**

**Step 13A:** Attach the Roof Panel Trim (Q1 and Q2) to the sides of the Roof Frame using Screws (GG). See Figure 13-1.

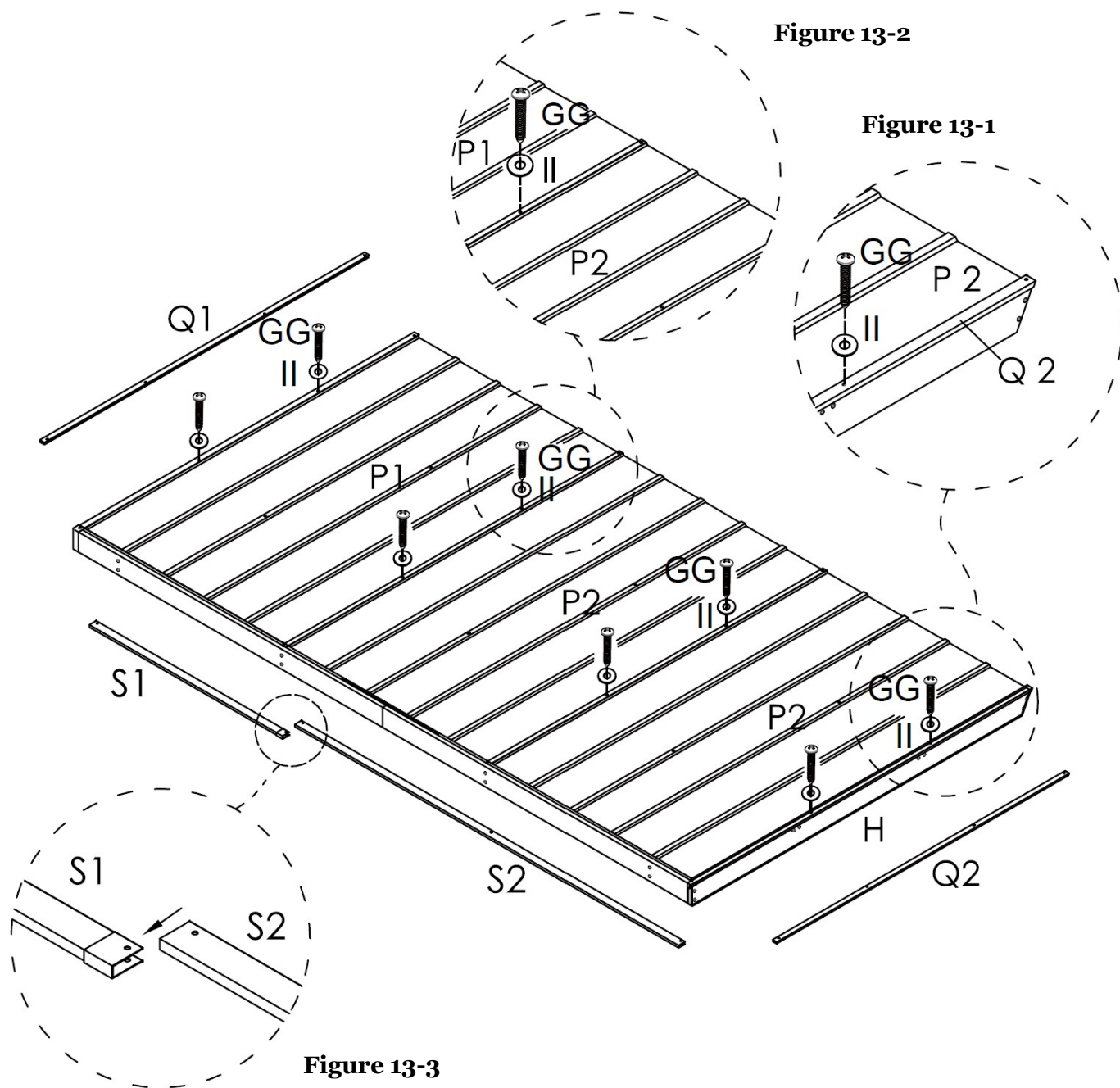
**Note:** The Roof Panels (P1 and P2) must slide into the Roof Panel Trim (Q1 and Q2).

**Step 13B:** Insert Roof Panel Trim (S2) into Roof Panel Trim (S1). See Figure 13-3.

**Step 13C:** Attach the Roof Panels (P1 and P2) to the Roof Frame using Screws (GG). See Figure 13-2.

**Figure 13-2**

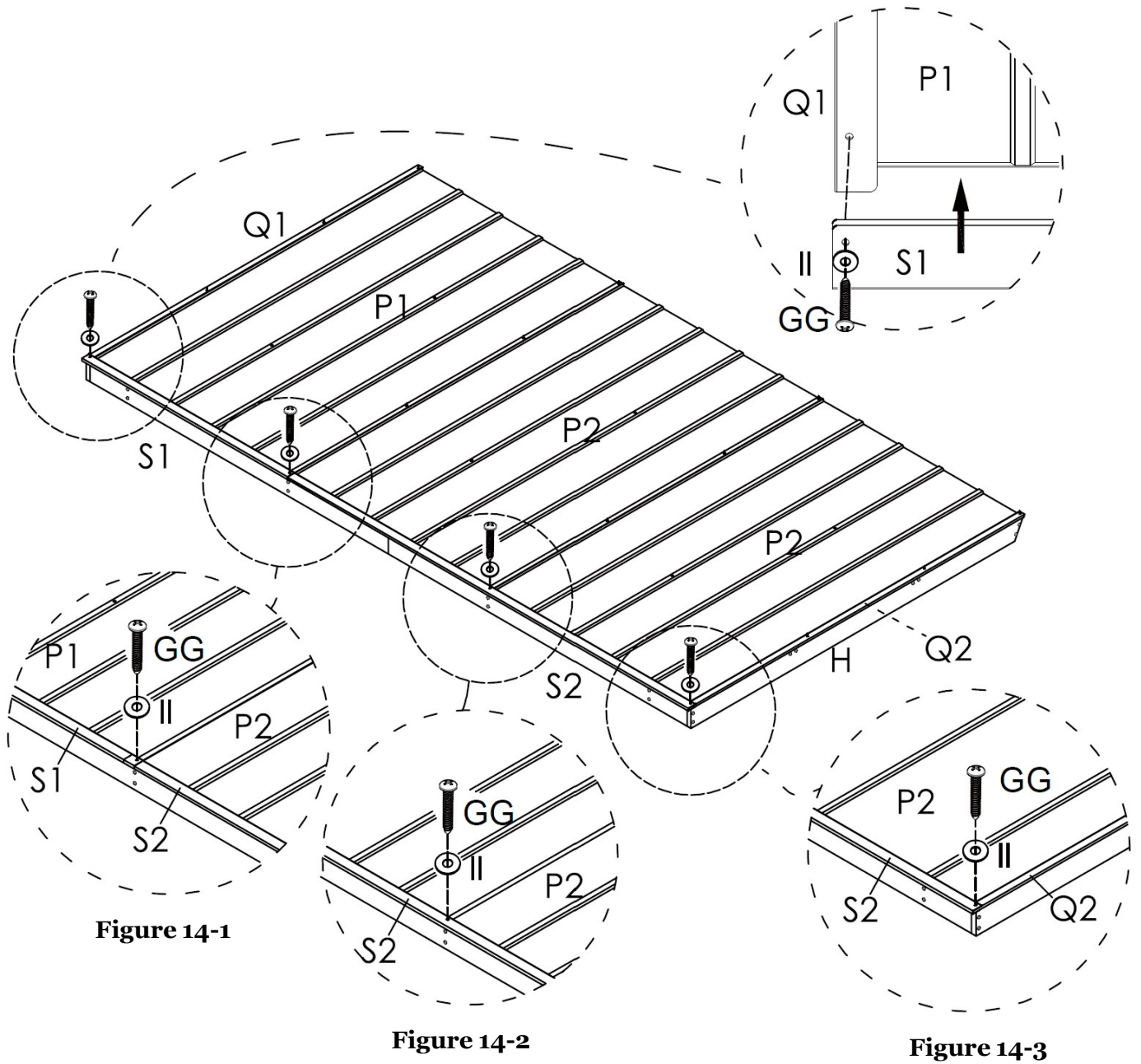
**Figure 13-1**



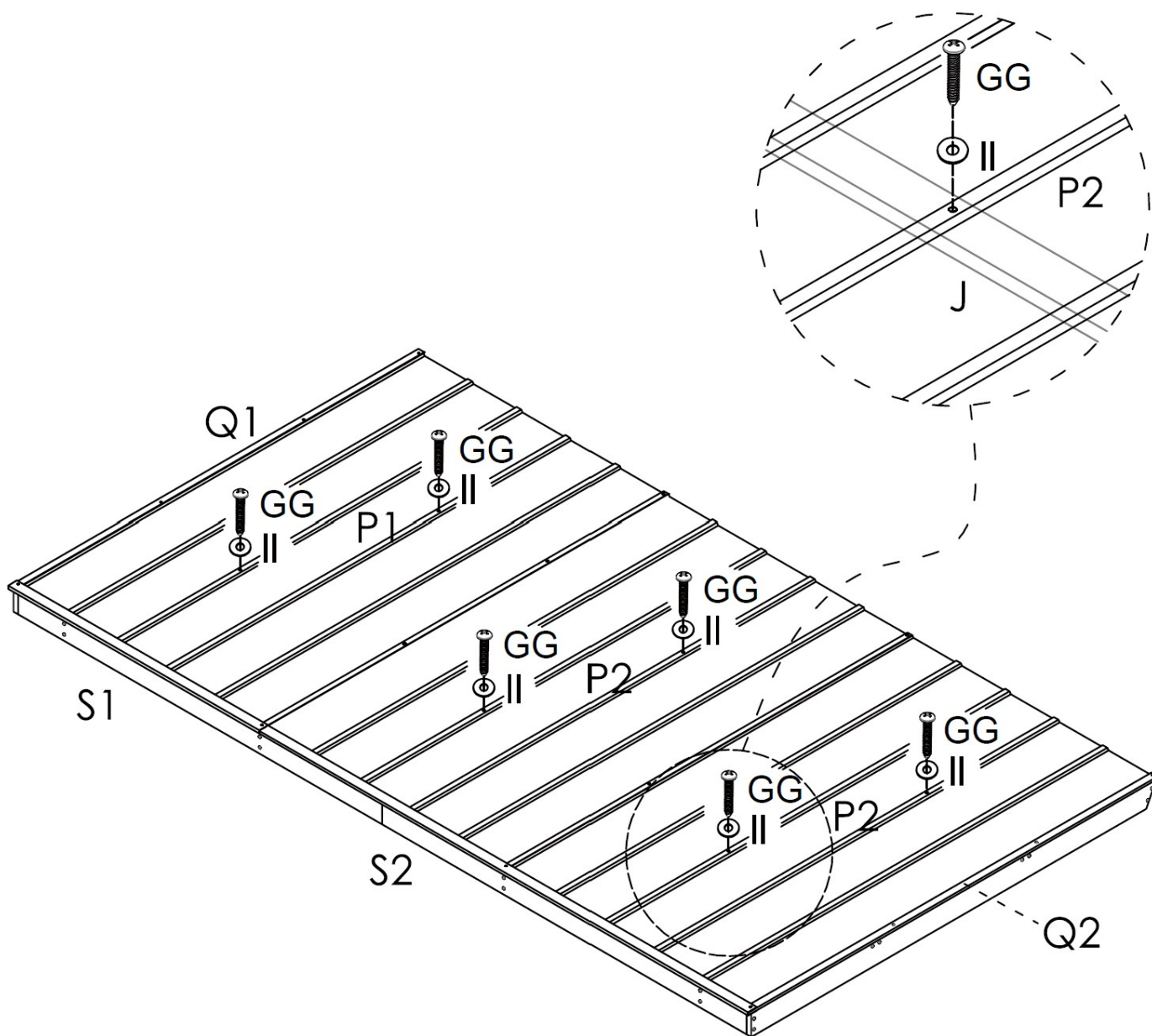
**Step 14:** Attach the Roof Panel Trim (S1 & S2) to the side of the Roof Frame using Screws (GG).

See Figure 14.

**Note:** The Roof Panel Trim (Q1 and Q2) and Roof Panel Trim (P1 and P2) must slide into the Roof Panel Trim (S1 and S2).



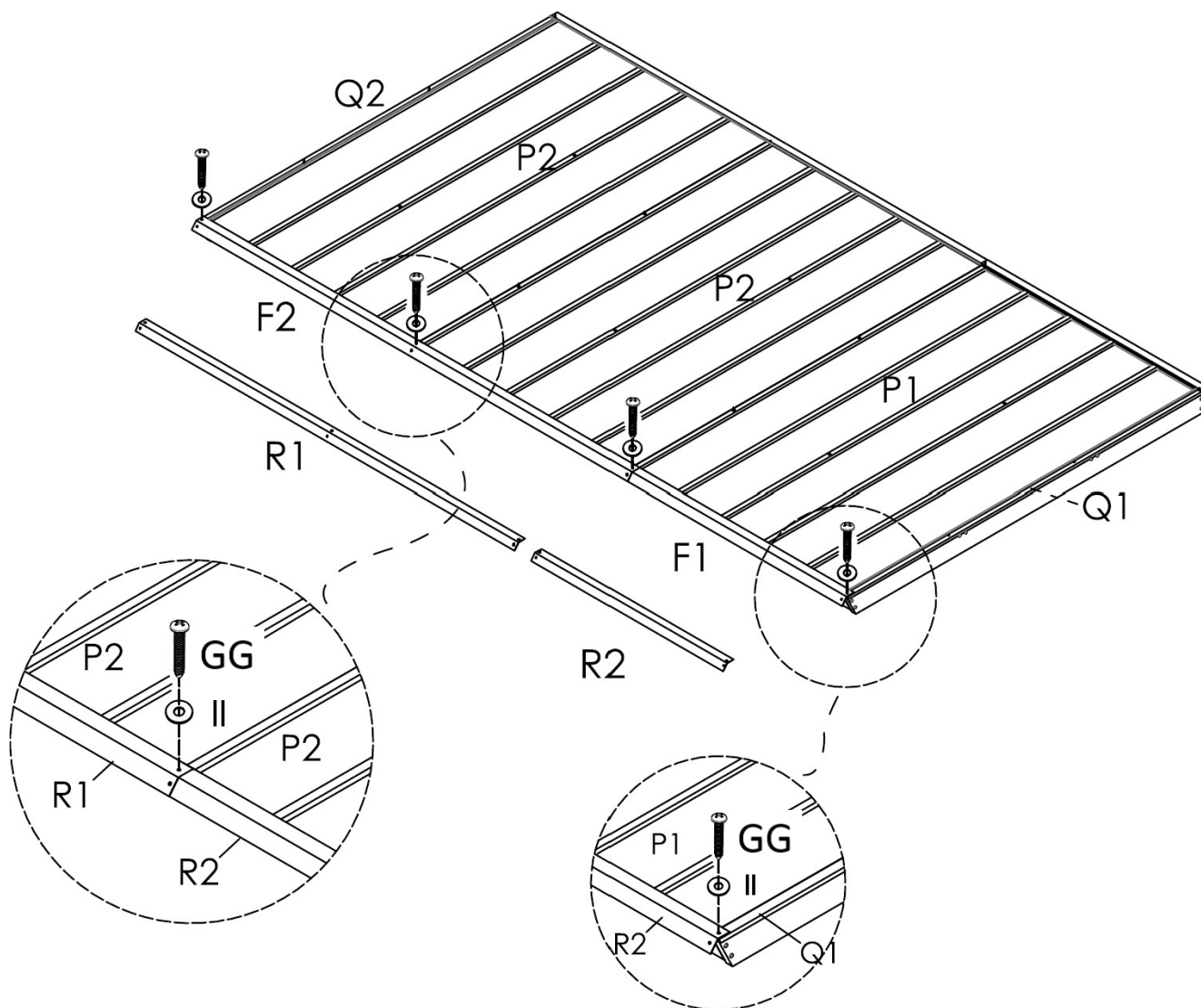
**Step 15:** Attach the Roof Panels (P1 and P2) to the Roof Frame using Screws (GG). See Figure 15.



**Figure 15**

**Step 16:** Attach the Roof Cap (R1 and R2) to the Roof Rafter (F1 and F2) using Screws (GG).

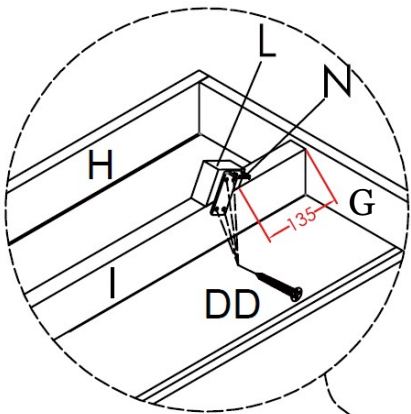
**Note:** Make sure the Roof Cap (R1) overlaps the Roof Cap (R2).



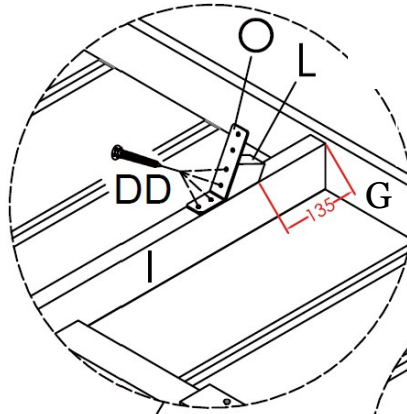
**Step 17A:** Place the Connecting Rafter (L) 135mm from the Side Rafter (G). Attach the Bracket (N) to Roof Rafter (I) and the Connecting Rafter (L) using Screws (DD). See Figure 17-1. Repeat for opposite end. See Figure 17-4.

**Step 17B:** Place the Connecting Rafter (L) 135 mm from the Side Rafter (G). Attach the Bracket (O) to the Roof Rafter (I) and Connecting Rafter (L) using Screws (DD). See Figure 17-2. Repeat for other Connecting Rafter (L). See Figure 17-3.

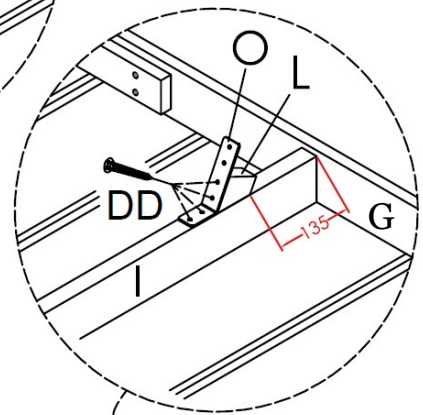
**Step 17C:** Repeat Step 8 to Step 17 for other side of Roof Frame.



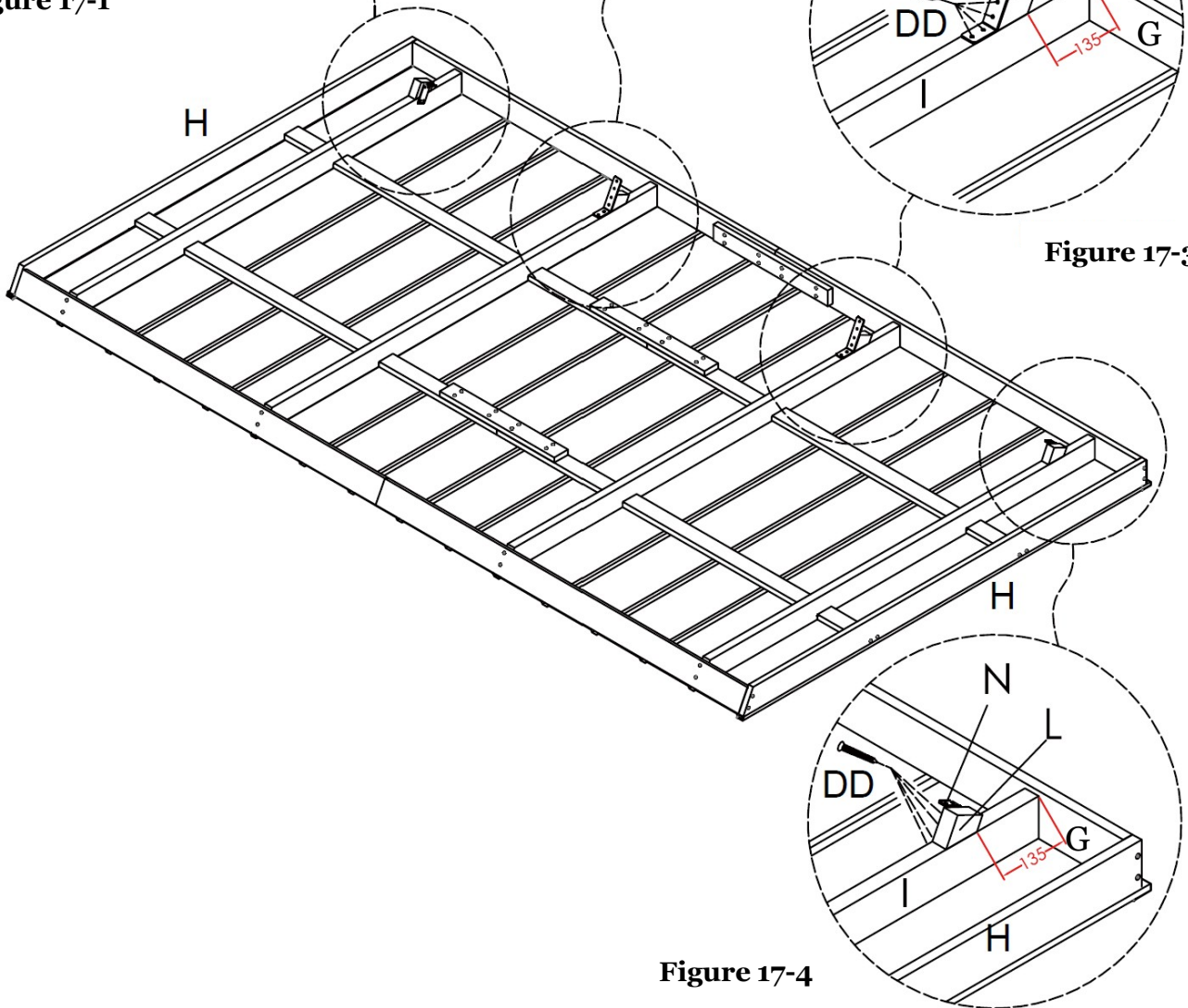
**Figure 17-1**



**Figure 17-2**



**Figure 17-3**



**Figure 17-4**



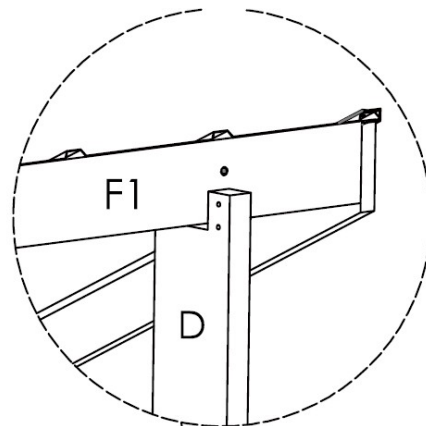
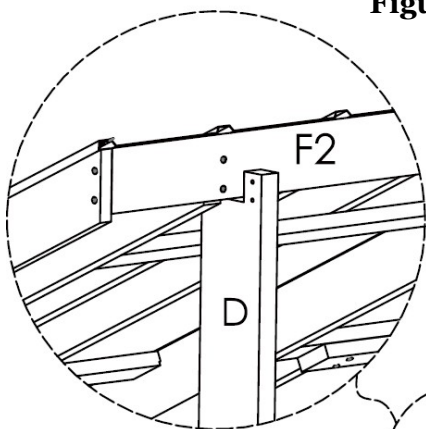
**Step 18A:** Place the assembled roof on top of the Roof Rafter (D) and on top of Crossbar Right and Left Side (B1 and B2). See Figure 18-1, Figure 18-2, Figure 18-3 and Figure 18-4.

**Step 18B:** Attach Brackets (N and O) to the Cross Bars B1 and B2) using Screws (DD). See Figure 18-3 and 18-4.

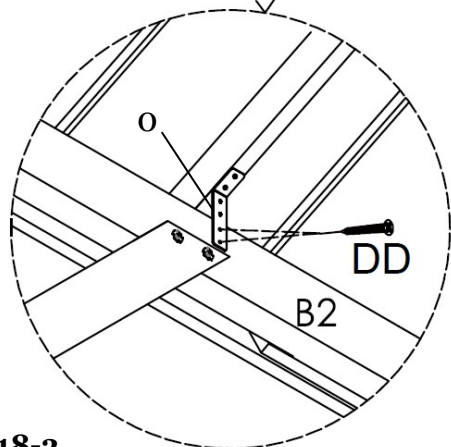
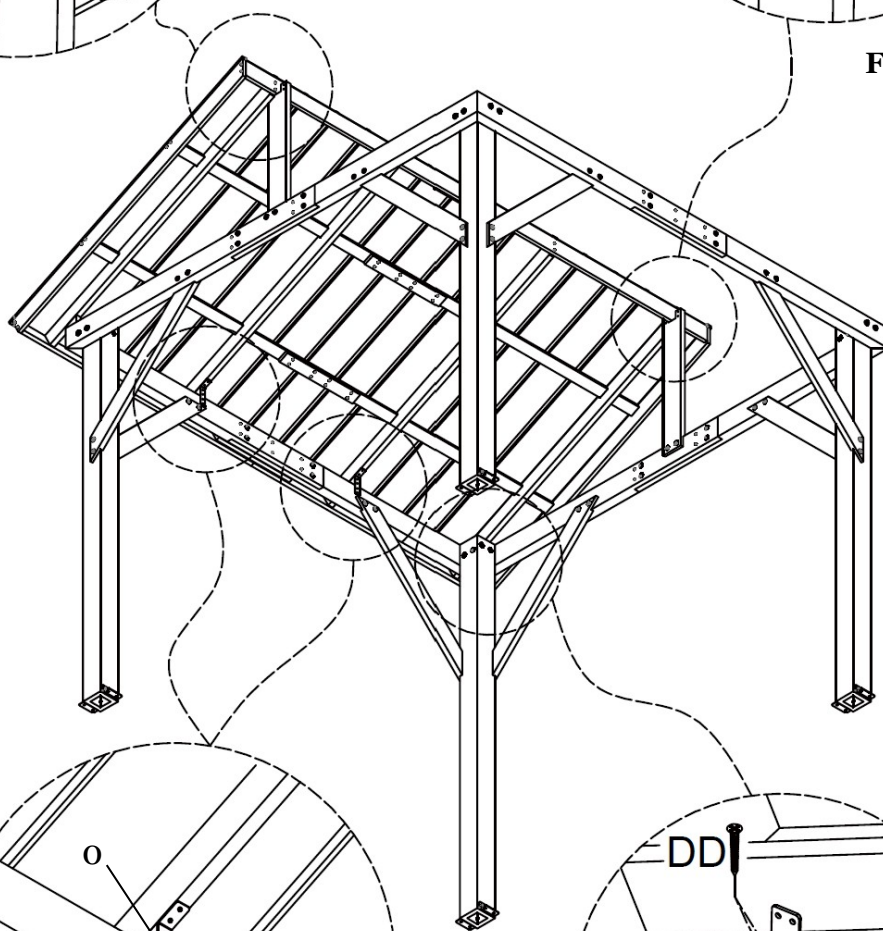
**Note:** This will take at least three people.

**Step 18C:** Repeat for other assembled roof.

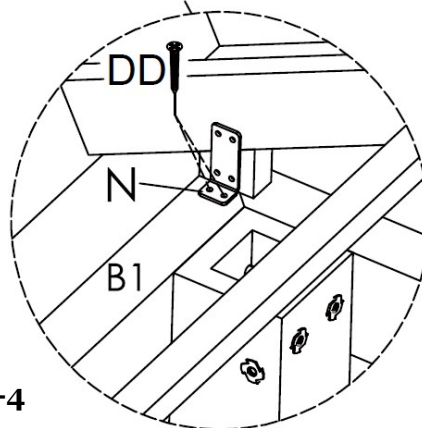
**Figure 18-1**



**Figure 18-2**



**Figure 18-3**



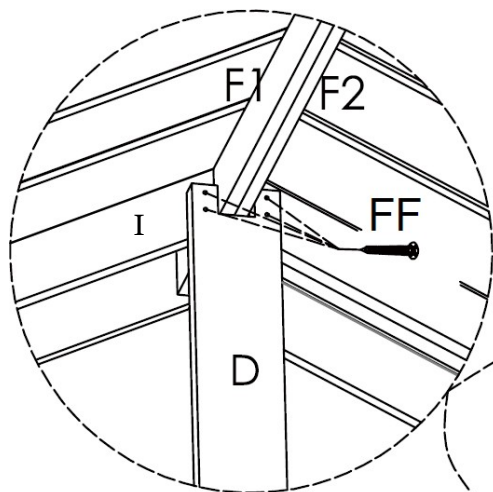
**Figure 18-4**

**Step 19A:** Attach Roof Rafter (D) to Roof Rafter (I) using Screws (FF). See Figure 19-1.

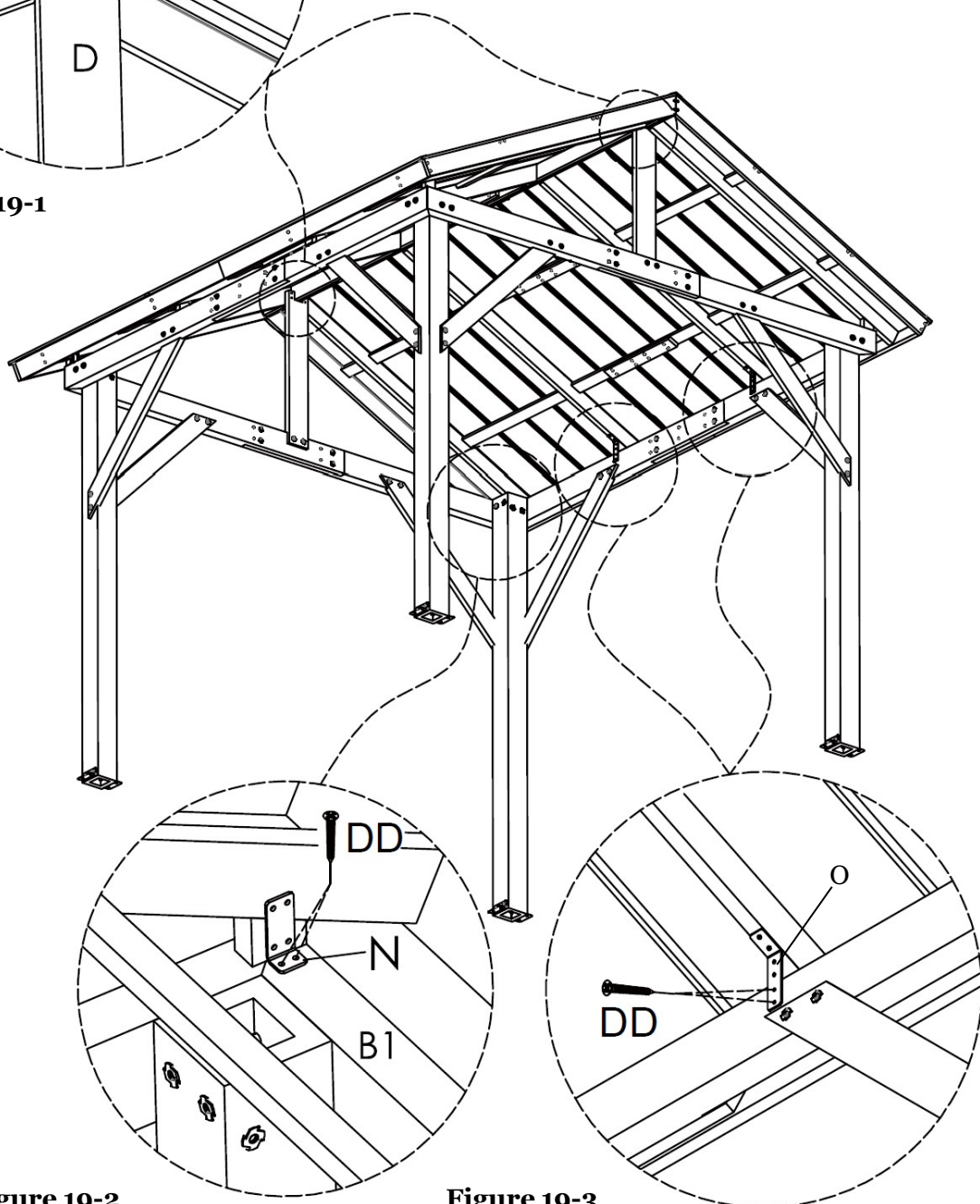
**Step 19B:** Attach the L Shaped Bracket (N) to the top of the Cross Bar (B1) using Screws (DD).

See Figure 19-2.

**Step 19C:** Attach the L Shaped Bracket (O) to the inside of the assembled Cross Beams (B1 and B2) using Screws (DD). See Figure 19-3.



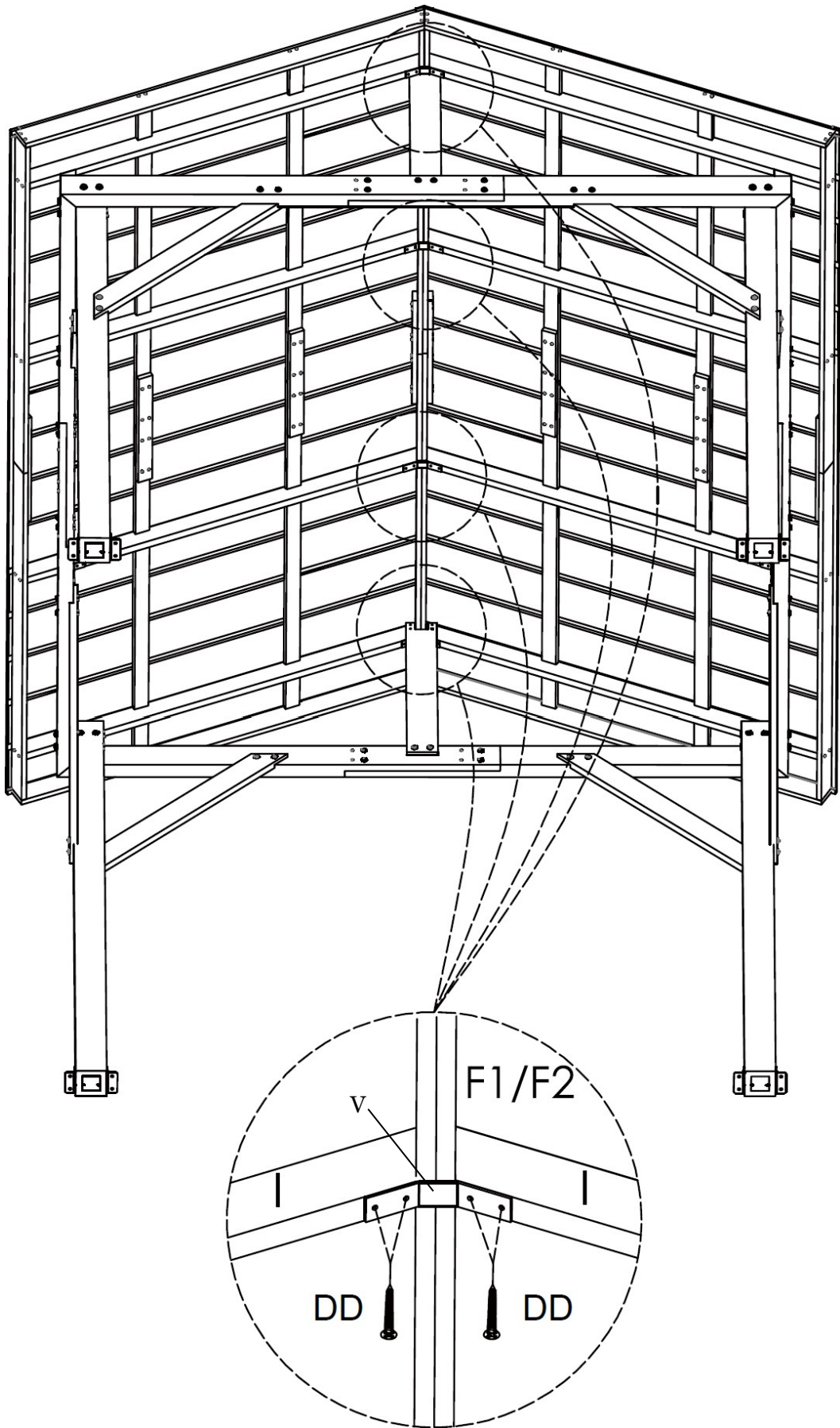
**Figure 19-1**



**Figure 19-2**

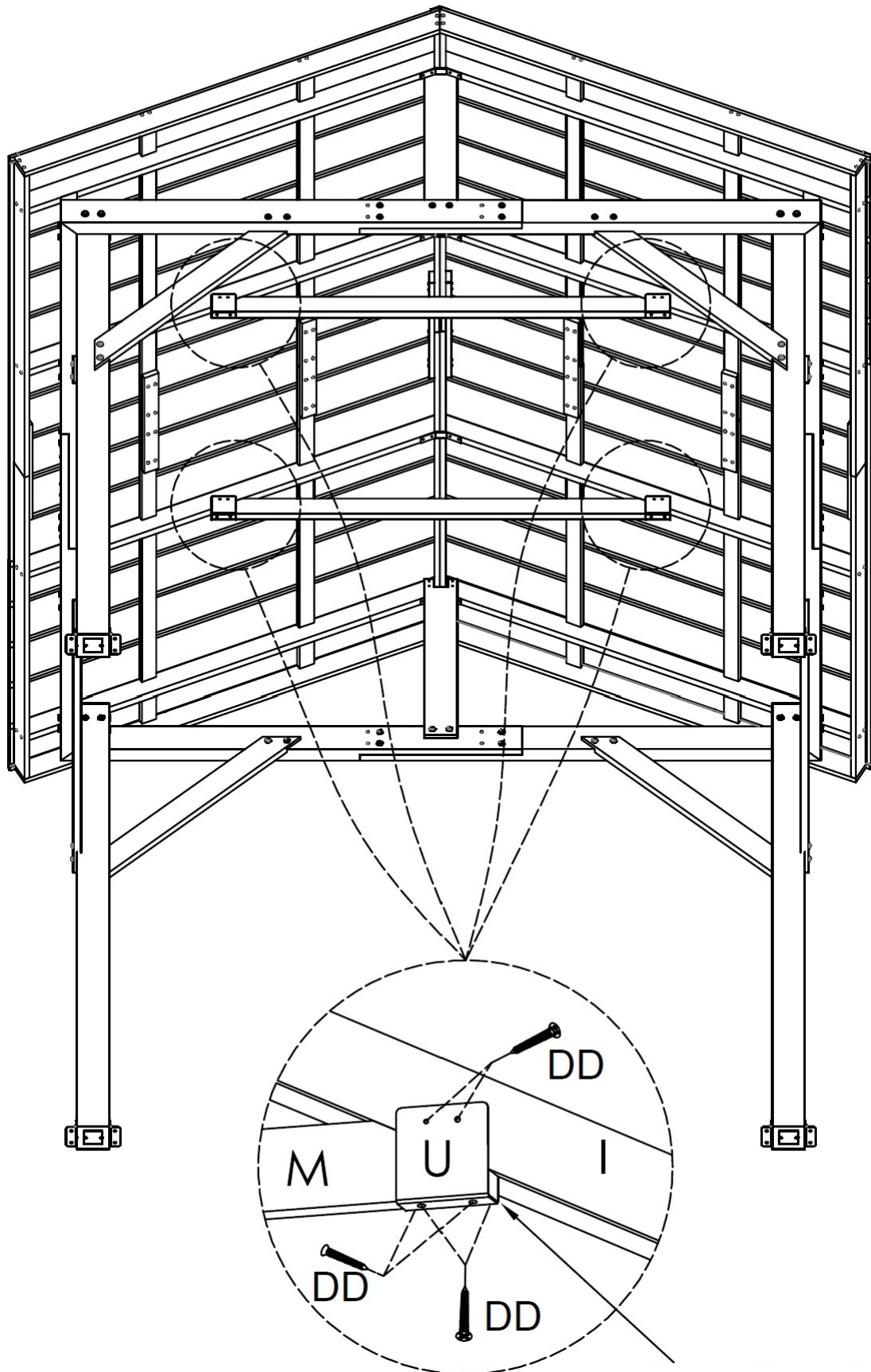
**Figure 19-3**

**Step 20:** Attach Brackets (V) to Roof Rafter (I) using Screws (DD). See Figure 20.



**Figure 20**

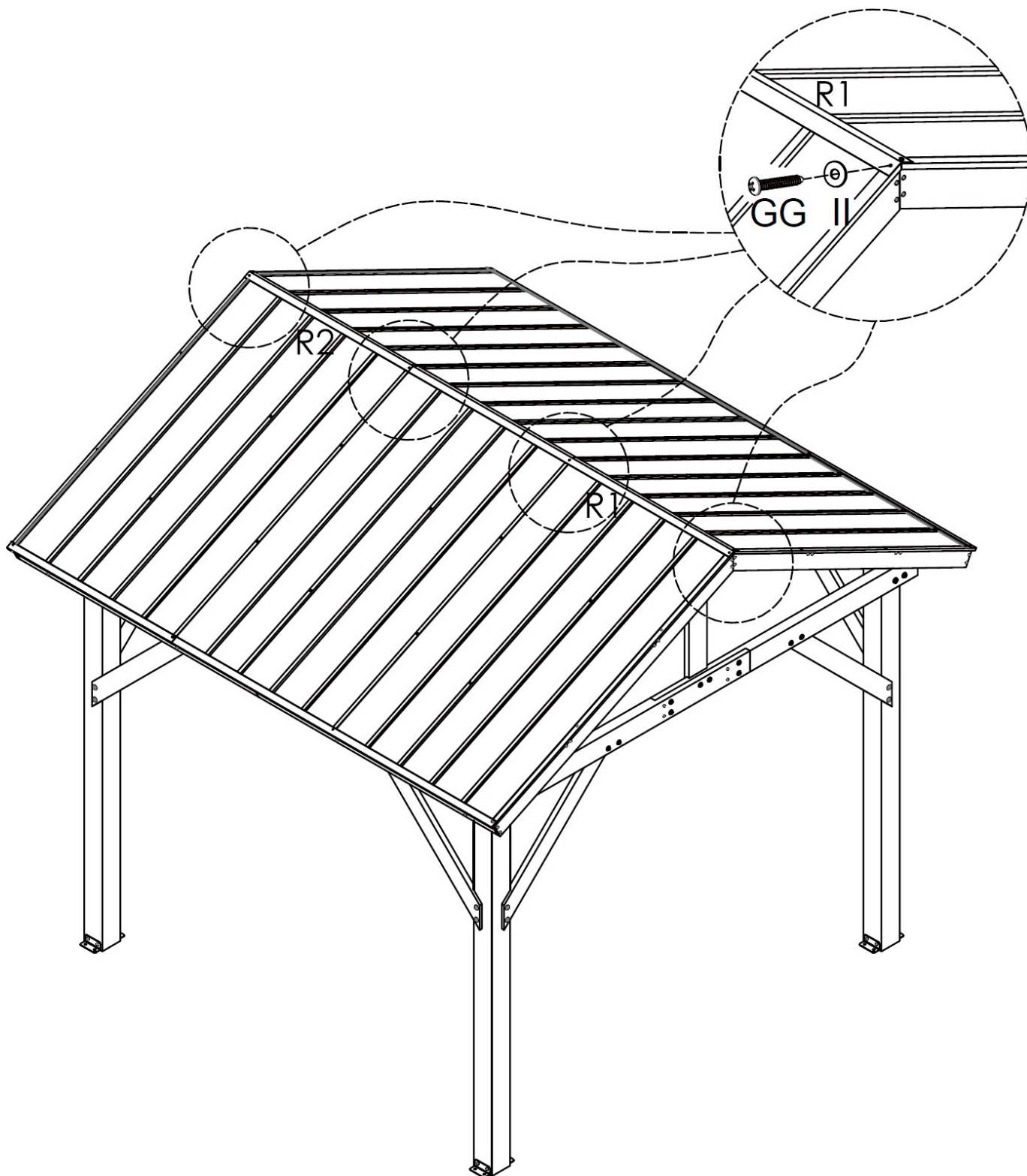
**Step 21:** Attach Bracket (U) to the Supporting Rafter (M) and Roof Rafter (I) using Screws (DD).  
See Figure 21.



**Figure 21**

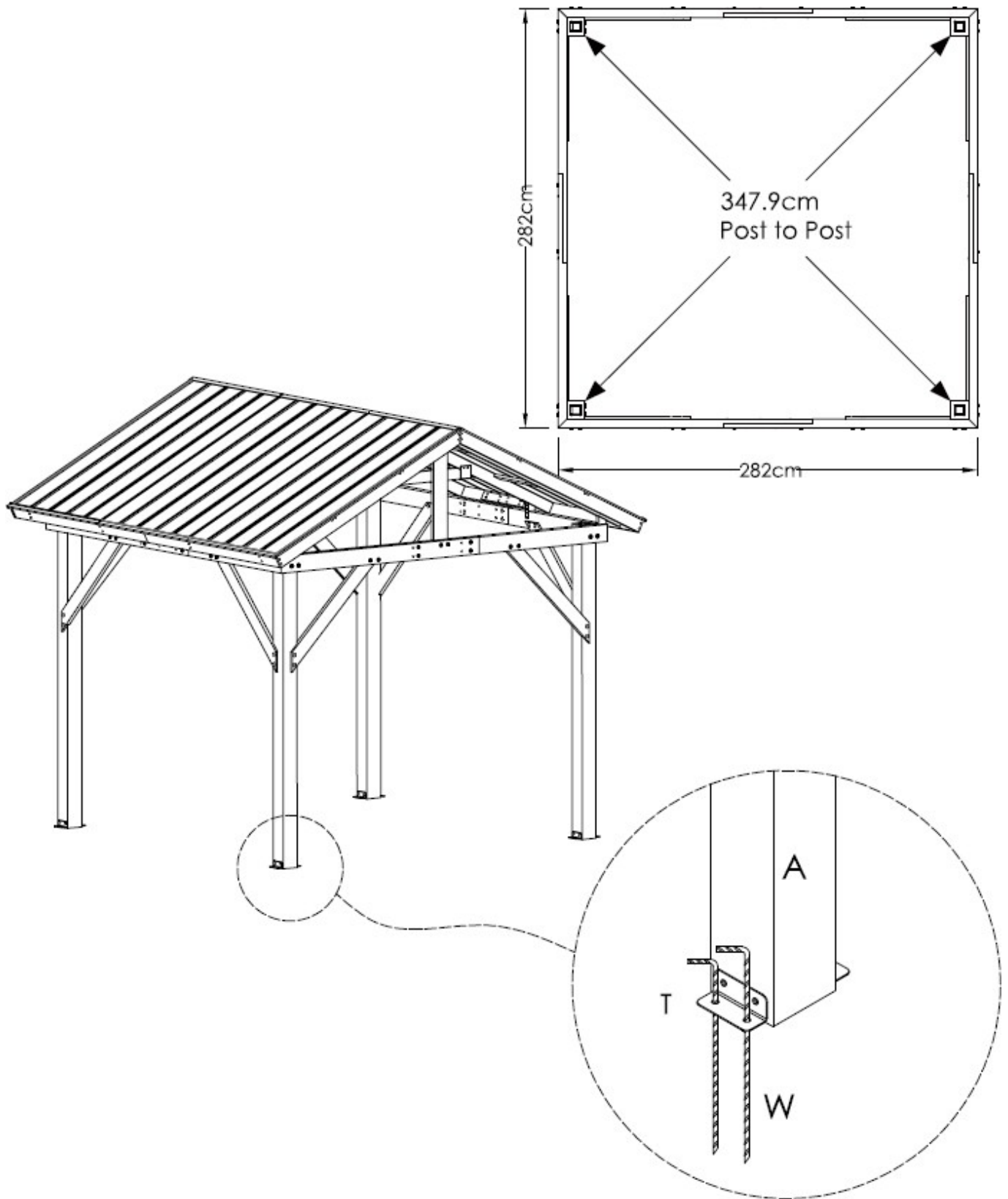
Supporting Rafter  
Alignment Edges

**Step 22:** Attach the Roof Cap (R1 and R2) to the other Roof Frame using Screws (GG). See Figure 22.



**Figure 22**

**Step 23:** Secure the pavilion by inserting the Ground Stakes (W) into all Base Brackets (T). Repeat for all corners. See Figure 23.



**Figure 23**

## **Care & Maintenance**

Maintenance is required for all outdoor gazebo/pergola/pavilion. Inspect hardware thoroughly before use and during the season to make sure bolts are securely fastened. Remove fabric canopy from soft top gazebo and store out of the elements when not in use or during hazardous weather conditions (wind, rain, snow, etc.). Remove all snow from hard top gazebo/pavilion. Failure to maintain the gazebo/pergola/pavilion will void warranty.

**Frame:** Clean frames with a mild soap and warm water. Do not use abrasive materials, cleaners or bleach. Rinse with clean water and dry thoroughly. Always clean, drain and dry thoroughly before storing for the winter.

**Fabric:** Clean fabric by hand with a mild solution of soap and water. Rinse thoroughly and allow to drip dry. Do not machine wash or tumble dry, as fabric may shrink. Do not use bleach or solvents on fabric.

## **Warranty & Liability**

1-year limited warranty; original receipt required to obtain warranty service.

### **What is not covered?**

**EXCLUSIONS:** Gazebos/Pergolas/Pavilions used for commercial, contract, or other non-residential purposes. Damage due to acts of nature, vandalism, misuse, improper assembly or maintenance, collapse, settling of ground or base structure. Discoloration, fading, mildew, corrosion or rusting.

**LIMITED WARRANTY:** The manufacturer will replace any part found to be defective in material or workmanship within 30 days of purchase date. The purchaser must contact the manufacturer's customer service department. After 30 days of purchase date the warranty is limited. The manufacturer, at its option, will repair or replace the defective parts. Proof of purchase (dated register receipt) and photos are required for all warranty claims. It remains the customer's responsibility to pay for freight and packaging charges to and from the service center. Warranty is to the original purchaser and is non-transferable. Any replacement or warranted items will be in the original style and color, or similar style and color if the original is unavailable or has been discontinued.

**LIMITED LIABILITY:** Inside Out Int'l., LLC. maximum liability shall not exceed the retail purchase price of the product in regard to defective product and any incidental/punitive claims or damages.

Please contact our Customer Service for assembly assistance or missing/damaged parts. Do not return to the store without authorization.

## **Accessories**

Privacy Curtains, Winter Covers, Winter Support Poles, and Replacement Mosquito Netting are available for select items. Please visit your retailer's website or contact [service@shadenshelters.com](mailto:service@shadenshelters.com) for more information.

### **Customer Service Contact Information**

Hours: Monday - Friday 8:00 a.m. - 5:00 p.m. Central Time (CT)

Phone: 1-888-607-4417

Email: [service@shadenshelters.com](mailto:service@shadenshelters.com)