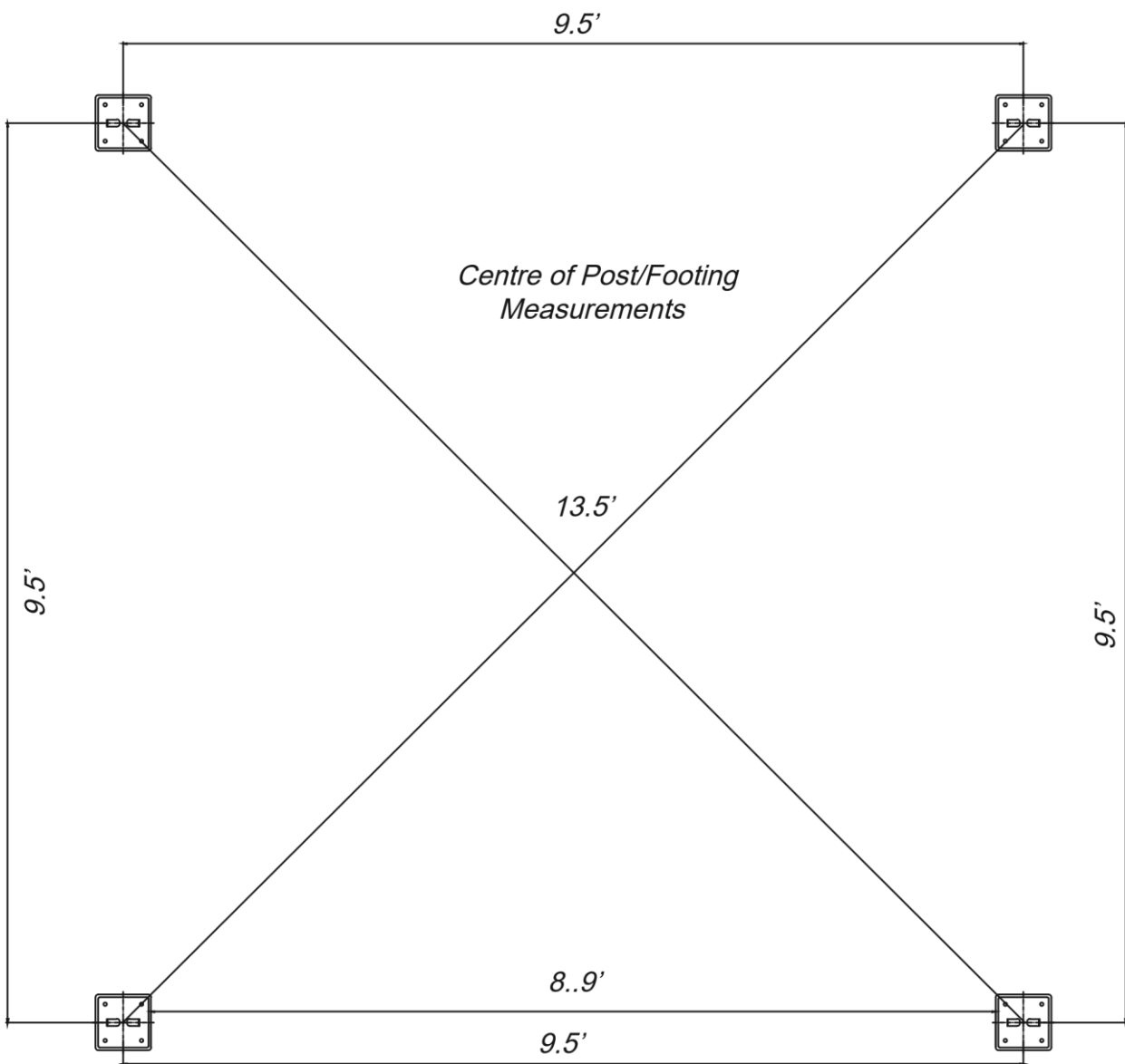
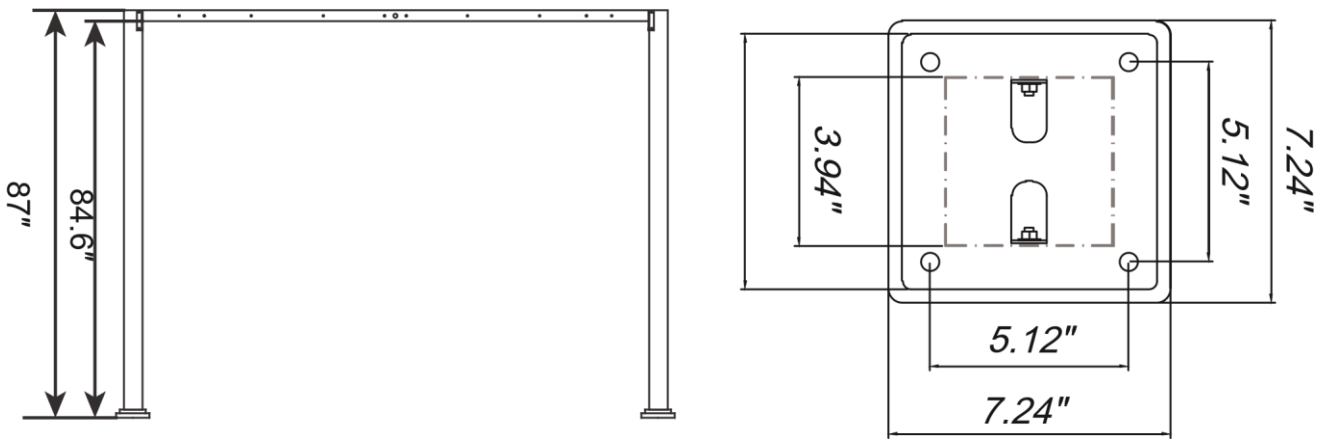
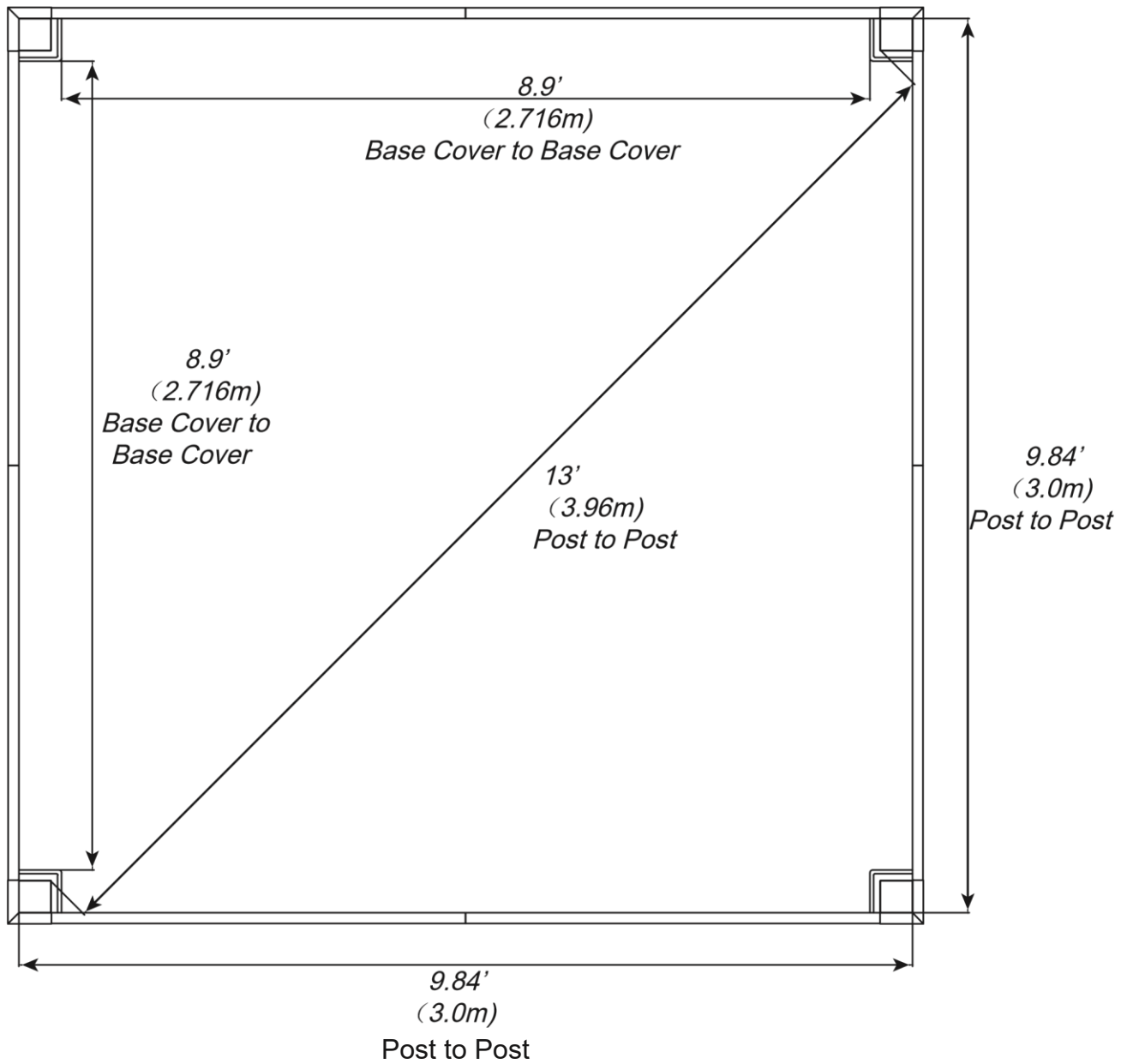
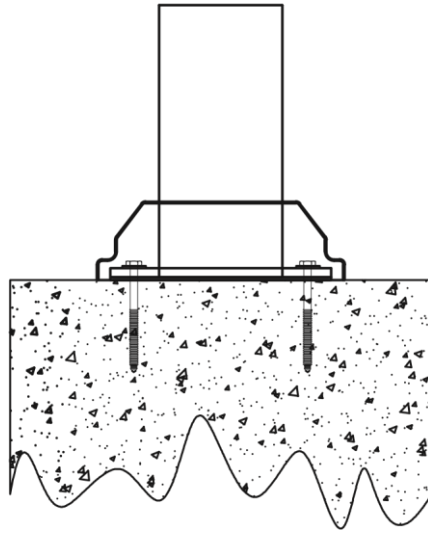


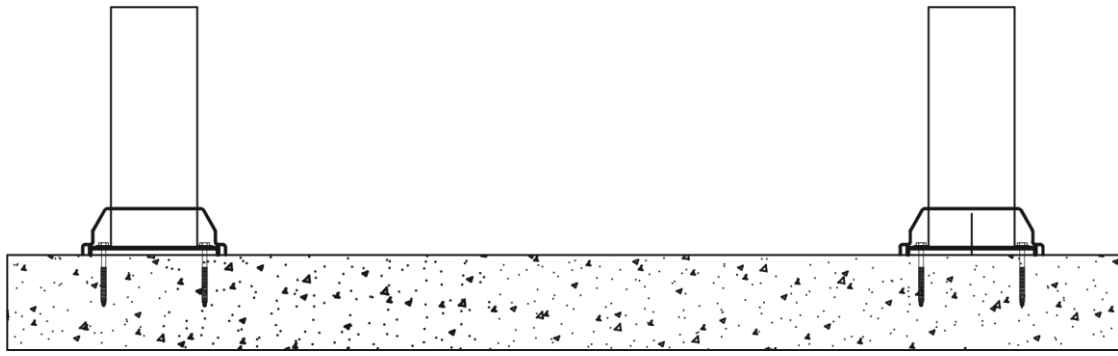
# Brunson 10' x 10' Pergola



# Concrete Footer



Concrete Patio Slab [min. 9.84' x 9.84' (3.0 m x 3.0m)] with 6' (1.83 m) clearance on all sides



Wood Deck Area [min. 9.84' x 9.84' (3.0 m x 3.0m)] with 6' (1.83 m) clearance on all sides

