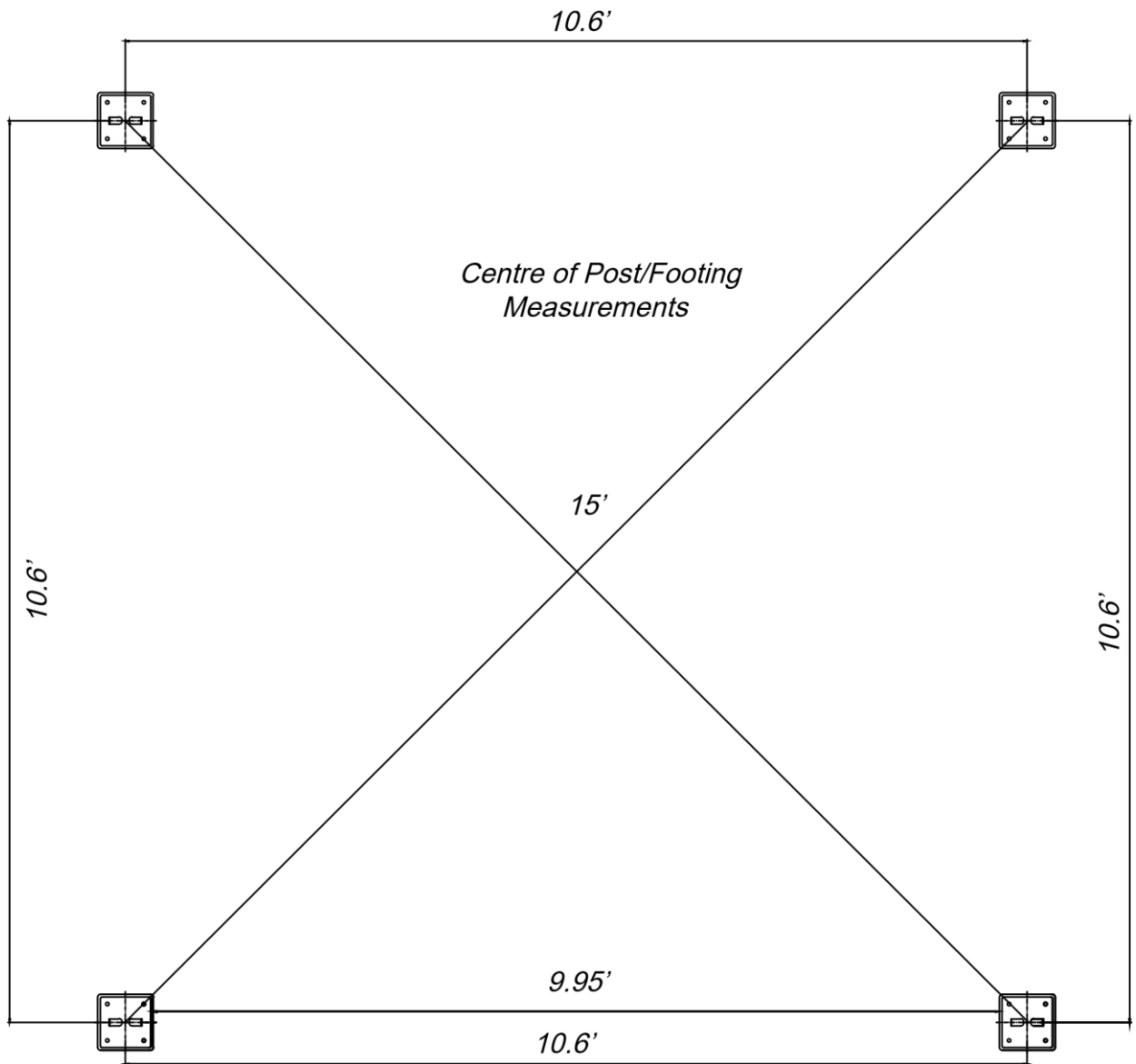
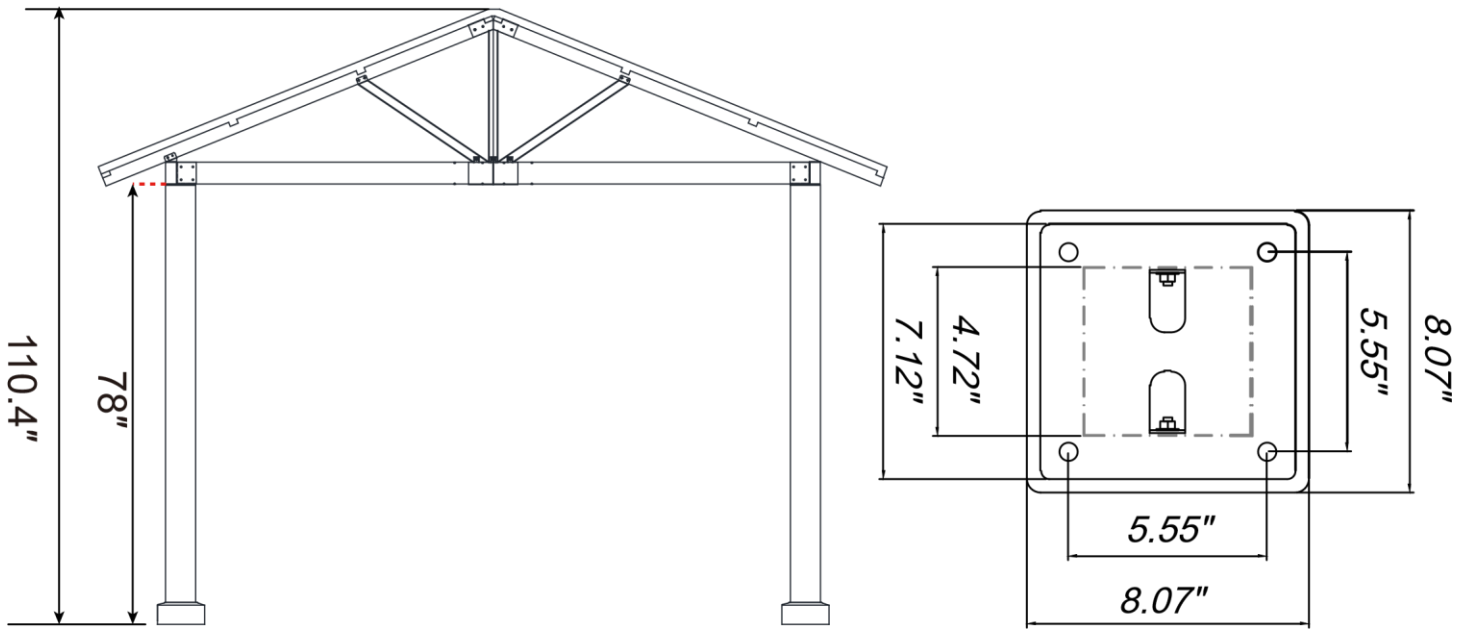
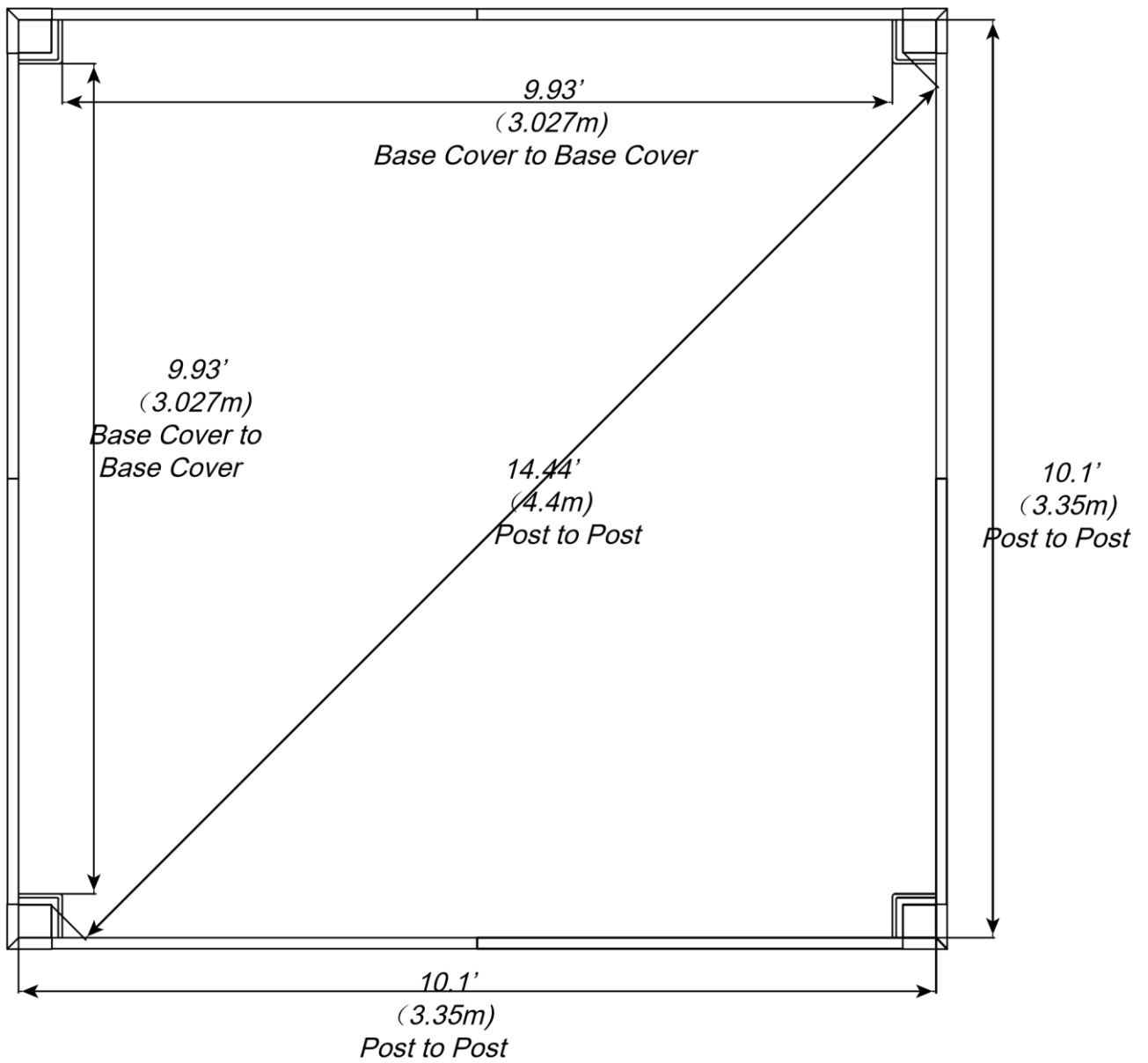
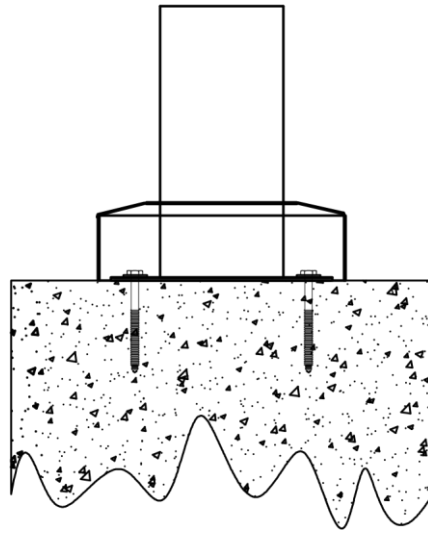


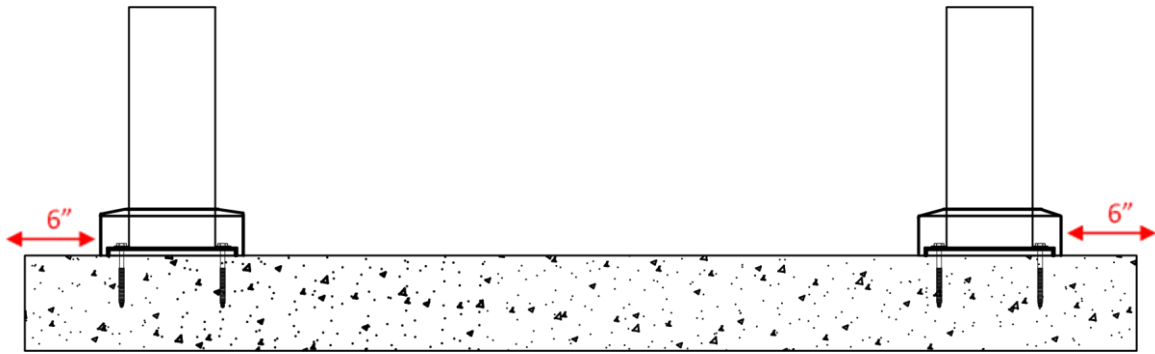
Berken 11' x 13' Pavilion



Concrete Footer



Concrete Patio slab [min. 11.25' x 12.99' (3.43 m x 3.96m)] with 6' (1.83 m) clearance on all sides



Wood Deck area [min. 11.25' x 12.99' (3.43 m x 3.96m)] with 6' (1.83 m) clearance on all sides

