

# Shade N' Shelters

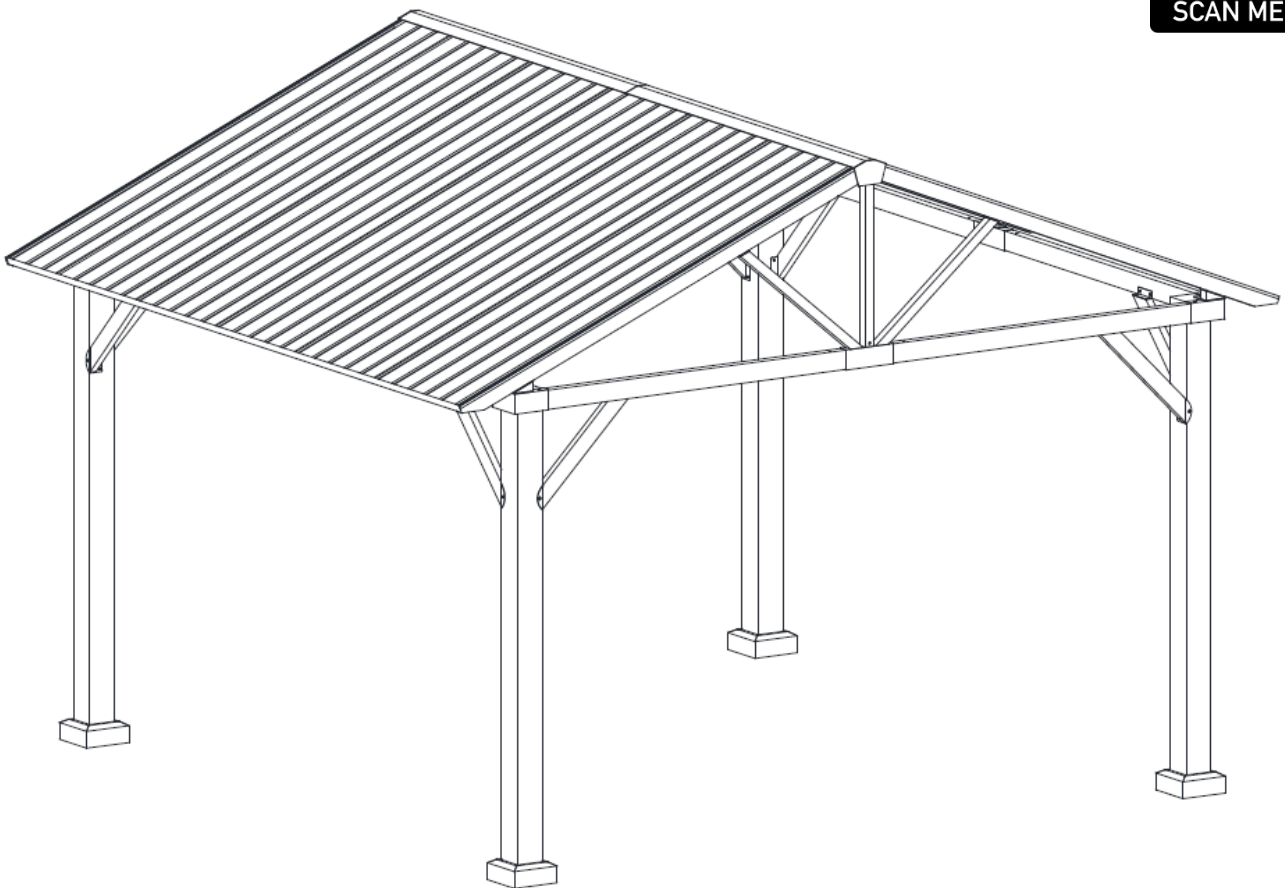
## Owner's Manual

### Berken

### 11' x 13' Pavilion

Model Number: BK/PAV-1113

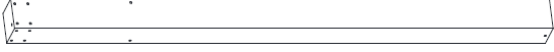






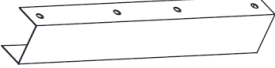


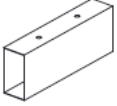
Scan For Video  
Assembly Instructions!

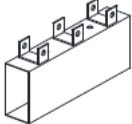
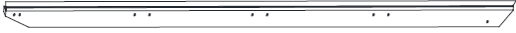

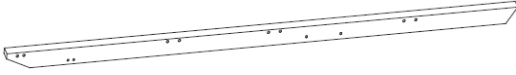
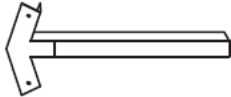
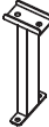
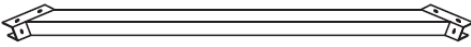
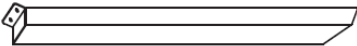
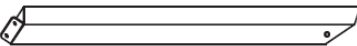





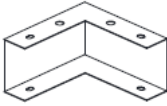











Note: This gazebo is designed to be used as a permanent fixture.




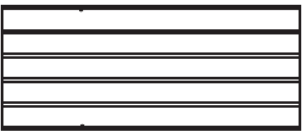



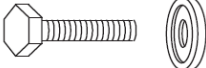
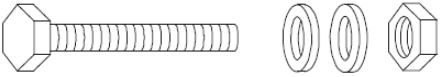
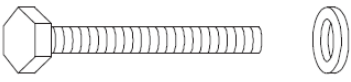
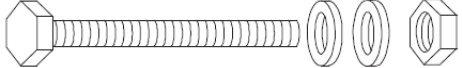
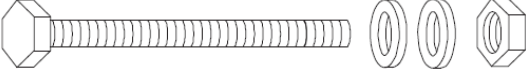
# Parts List




## Berken 11' x 13' Pavilion

Letter	Illustration	Description	Qty.
A		Corner Post	4
B		Base Cover	4
C		Base Plate	4
D1		Left Lintel	2
D2		Right Lintel	2
D3		Left Lintel	2
D4		Right Lintel	2
E		Cross Beam Connector	4
F1		Lintel Corner Support Bar	4
F2		Lintel Corner Support Bar	4
G		Cross Beam Guard	2

Letter	Illustration	Description	Qty.
H		Top Beam Guard	2
I1		Roof Support Beam	2
I2		Roof Support Beam	2
I3		Roof Support Beam	6
J1		Vertical Brace	2
J2		Connector	3
K		Top Support Bar	3
L1		Right Support Bar	2
L2		Left Support Bar	2
M		U-Shape Connector	6
N1		L-Shape Connector	2
N2		L-Shape Connector	2

Letter	Illustration	Description	Qty.
O		Corner Lintel Cover	4
P1		Roof Support	24
P2		Roof Support	4
P3		Roof Support	4
Q1		Top Beam	1
Q2		Top Beam	1
Q3		Top Beam Connector	2
R1		Edge Banding	2
R2		Edge Banding	2
R3		Edge Banding Guard	4
R4		Edge Banding Guard	2
S1		Top Panel Cover	2

Letter	Illustration	Description	Qty.
S2		Top Panel Cover	1
S3		Roof Vent Hook	1
T1		Roof Panel	2
T2		Roof Panel	8
T3		Roof Panel	2
AA		M6 x 15mm Bolt with Steel Washer	210
BB		M6 x 15mm Bolt	36
CC		M6 x 25mm Bolt with Plastic Washer	14
DD		M6 x 35mm Bolt with Flat Washer & Nut	72
EE		M6 x 40mm Bolt with Plastic Washer	6
FF		M6 x 55mm Bolt with Flat Washer & Nut	4
GG		M6 x 70mm Bolt with Flat Washer & Nut	4

Letter	Illustration	Description	Qty.
HH		Spacer	14
II		M6 Hex Wrench	2
JJ		Ground Stake	16

# Assembly Instructions

## Berken 11' x 13' Pavilion

Note: For video instructions please visit:

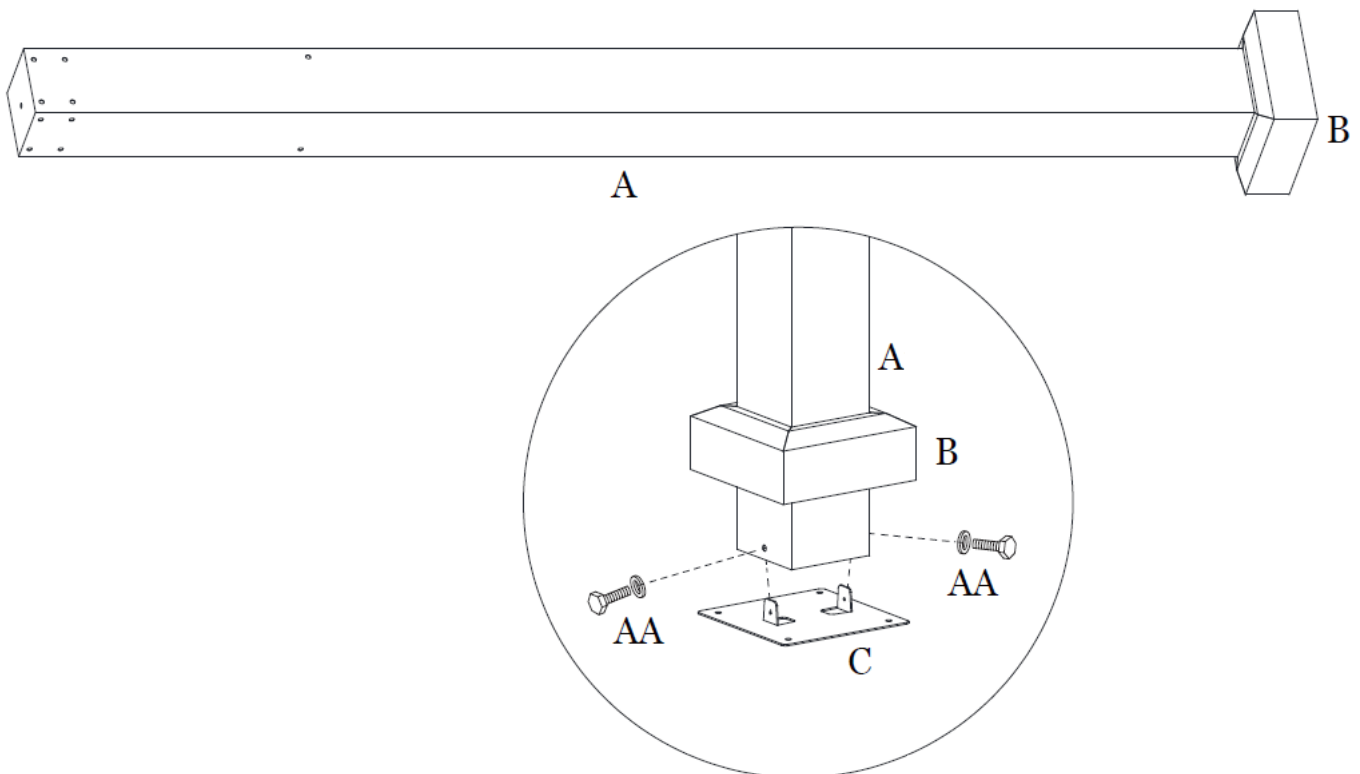
<https://shadenshelters.com/11x13-berken-pavilion>

### Important:

- Read all the instructions before assembly. Failure to do so may result in faulty assembly and potential injury.
- Before assembling the product, remove all protective materials, hardware kit(s), and identify all parts packed in the carton are present. (Note: If any part is missing or damaged, do not attempt to assemble). Contact Shade N' Shelters Customer Support. See page 24.
- Assemble on a stable level surface to avoid damage to gazebo and possible injury.
- Two people are required to assemble this product.
- Gazebo dimensions are measured from roof corner to roof corner.

**WARNING: DO NOT TIGHTEN BOLTS UNTIL NOTED AFTER EACH STEP!**

**Step 1:** Insert the Post (A) into the Base Cover (B), then connect the Base Plate (C) to the Post (A) using Bolts (AA). Repeat for all Corner Posts and Base Plates. **Tighten all Bolts.** See Figure 1.



**Figure 1**

**Step 2A:** Insert the Cross Beam Connector (E) into the Left Lintel (D1), attach using Bolts (AA).

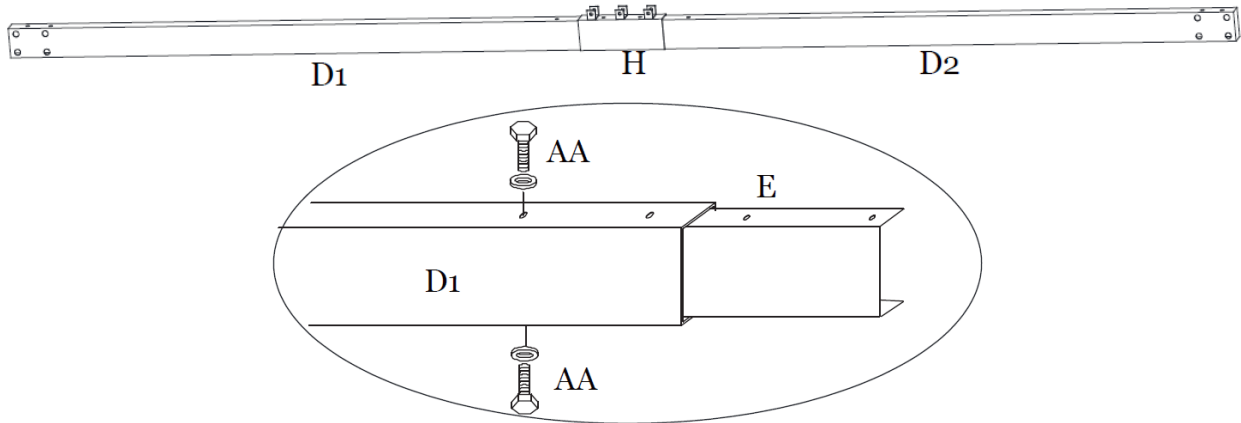
See Figure 2-1

**Step 2B:** Insert Left Lintel (D1) and Cross Beam Connector (E) into Cross Beam Guard (H). See Figure 2-2

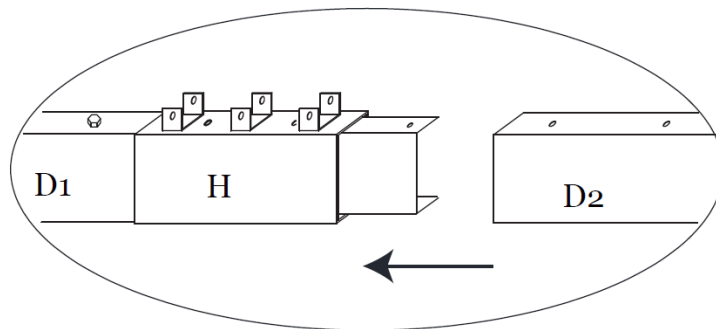
**Note:** Make sure the holes with the inserts on Cross Beam Guard (H) are facing to the inside.

**Step 2C:** Attach the Right Lintel (D2) to Cross Beam Connector (E) with Bolts (AA). **Tighten all Bolts.** See Figure 2-3.

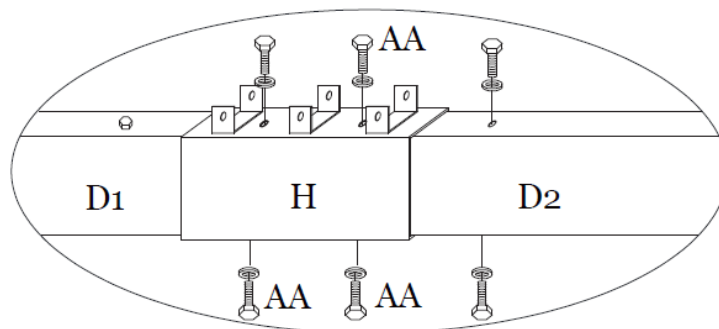
**Step 2D:** Repeat Step 2A to Step 2C for remaining Lintels (D1 and D2). **Tighten all Bolts.** See Figure 2-4



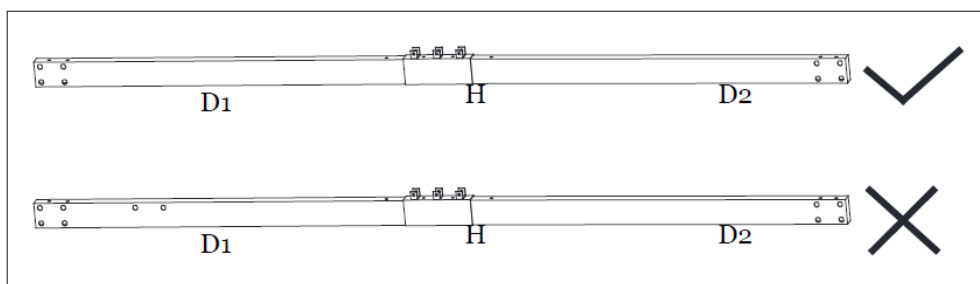
**Figure 2-1**



**Figure 2-2**



**Figure 2-3**



**Figure 2-4**



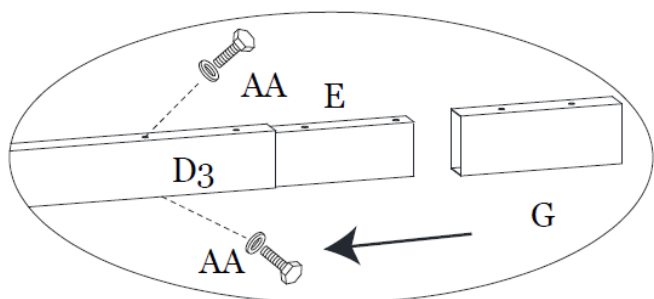
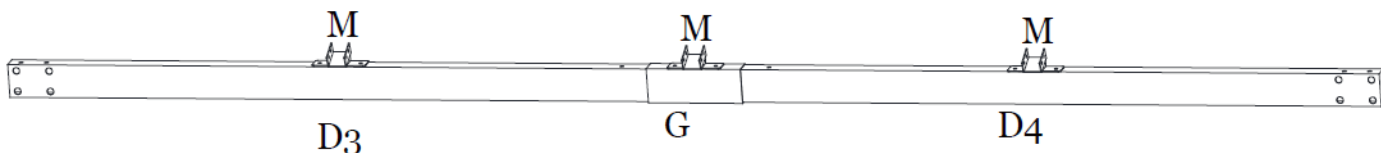
**Step 3A:** Insert the Cross Beam Connector (E) into the Left Lintel (D3), attach using Bolts (AA). See Figure 3-1.

**Step 3B:** Insert Left Lintel (D3) and Cross Beam Connector (E) into Cross Beam Guard (G). See Figure 3-2. Insert the Right Lintel (D4) into Cross Beam Connector (G) See Figure 3-2.

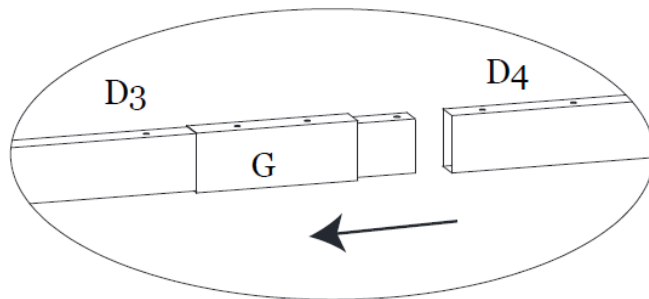
**Step 3C:** Attach Right Lintel (D4) to Cross Beam Connector (E) using Bolts (AA). Attach the U-Connector (M) to the top of Cross Beam Connector (G) using Bolts (AA). Tighten All Bolts. See Figure 3-3.

**Step 3D:** Attach U-Connector (M) to Left and Right Lintels (D3 and D4) using Bolts (AA). **Tighten all Bolts.** See Figure 3-4.

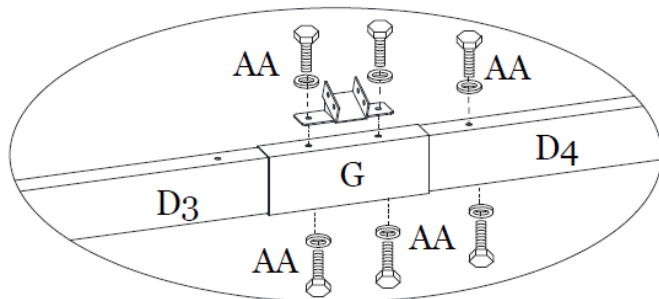
**Step 3E:** Repeat Step 3A to Step 3D for remaining Lintels (D3 and D4). **Tighten all Bolts.** See Figure 3-5.



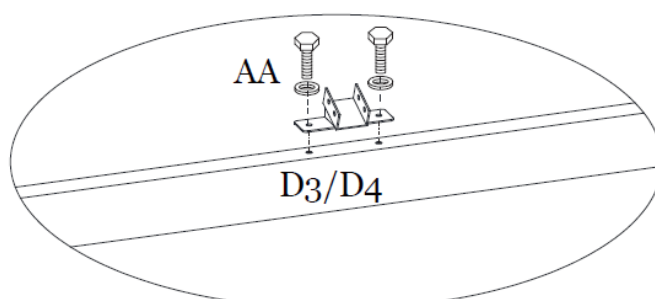
**Figure 3-1**



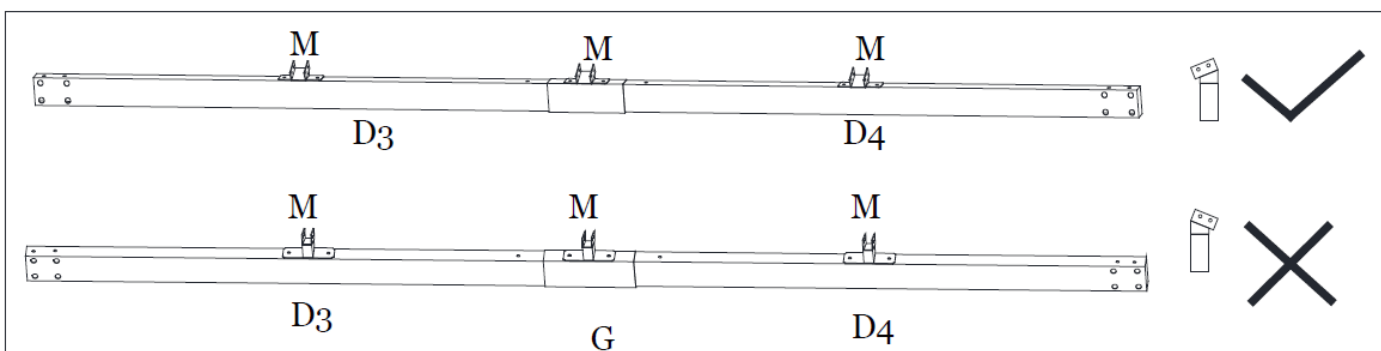
**Figure 3-2**



**Figure 3-3**



**Figure 3-4**

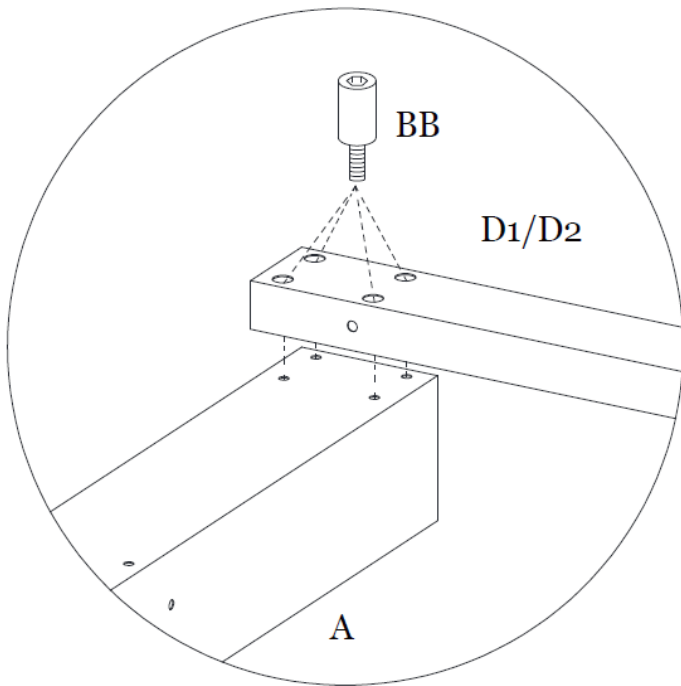


**Figure 3-5**

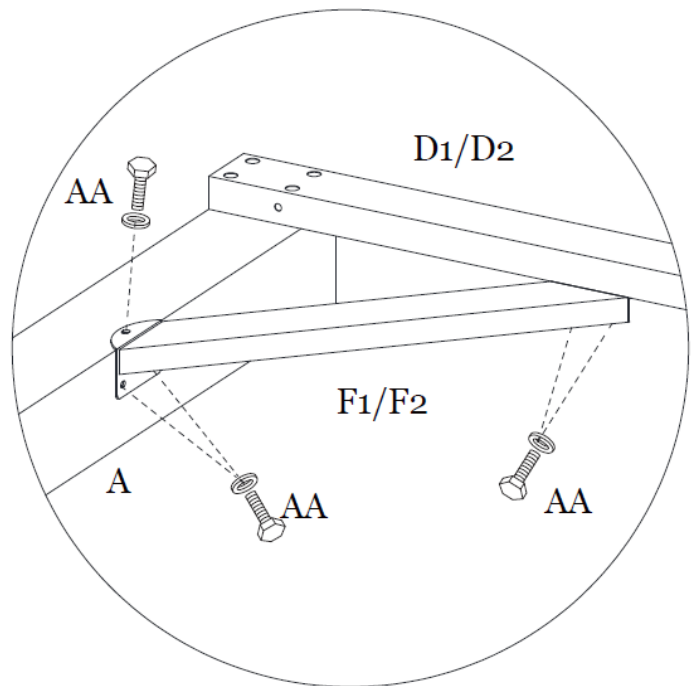
**Step 4A:** Attach assembled Lintels (D1 and D2) to Corner Post (A) using Bolts (BB). See Figure 4-1.

**Step 4B:** Attach Lintel Corner Support Bar (F1) to Left Lintel (D1) and Corner Post (A). Attach Lintel Corner Support Bar (F2) to Right Lintel (D2) and Corner Post (A). See Figure 4-2.

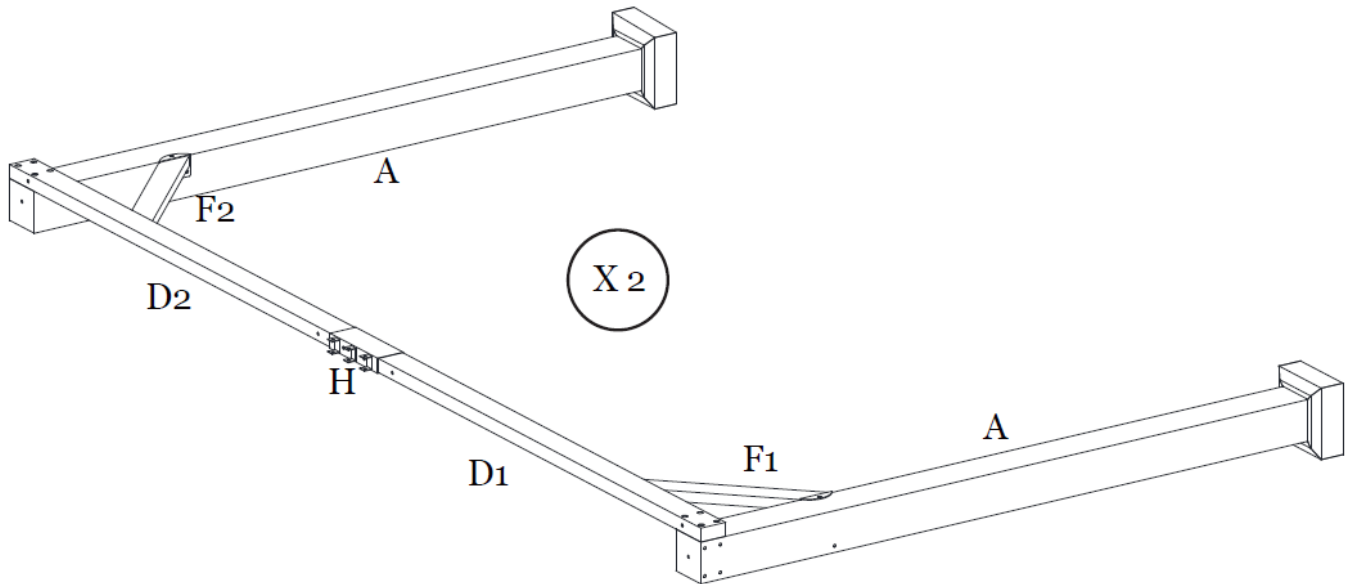
**Step 4C:** Repeat for all Corner Posts and Lintels. **Tighten all Bolts.** See Figure 4-3.



**Figure 4-1**



**Figure 4-2**



**Figure 4-3**

**Step 5A:** Attach assembled Lintels (D3 & D4) to Corner Post (A) using Bolts (BB). See Figure 5-1.

**Step 5B:** Attach Lintel Corner Support Bar (F1) to Left Lintel (D3) and Corner Post (A). Attach Lintel Corner Support Bar (F2) to Right Lintel (D4) and Corner Post (A). See Figure 5-2.

**Step 5C:** Repeat for all Corner Posts and Lintels. **Tighten all Bolts.** See Figure 5-3.

**Step 5D:** Attach Corner Lintel Cover (O) to Left and Right Lintels (D4, D1 & D3, and D2) using Bolts (AA). **Tighten all Bolts.** See Figure 5-3.

**Step 5E:** Attach the L-Connector (N1) to Corner Post (A) using Bolt (BB) and Bolts (AA). Attach L-Connector (N2) to Corner Post (A) using Bolt (BB) and Bolts (AA). **Tighten all Bolts.** See Figure 5-5

**Note:** Use L-Connector (N1) where Right Lintel (D1) and Left Lintel (D4) meet. Use L-Connector (N2) where Left Lintel (D2) and Right Lintel (D3) meet. See Figure 5-3

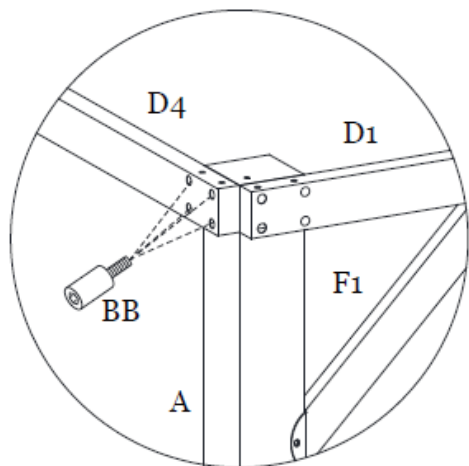


Figure 5-1

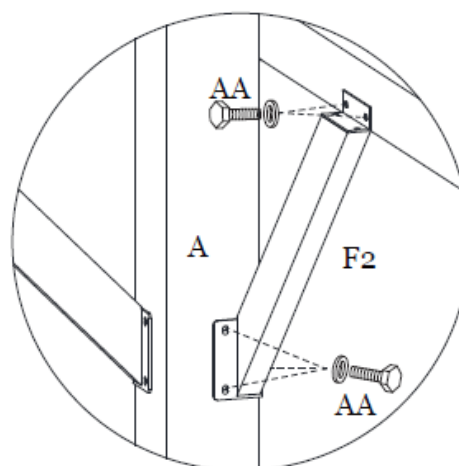


Figure 5-2

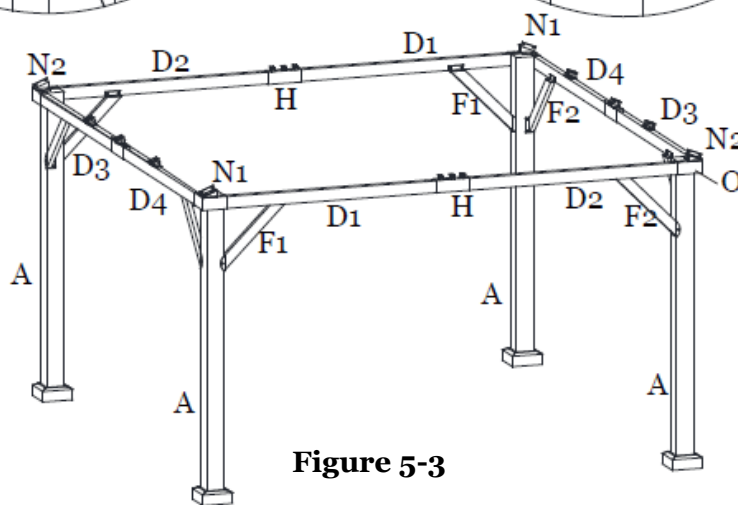


Figure 5-3

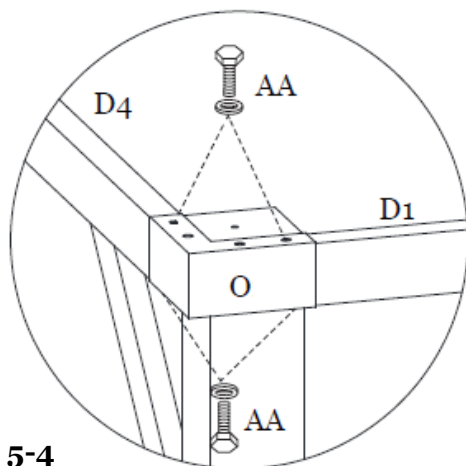


Figure 5-4

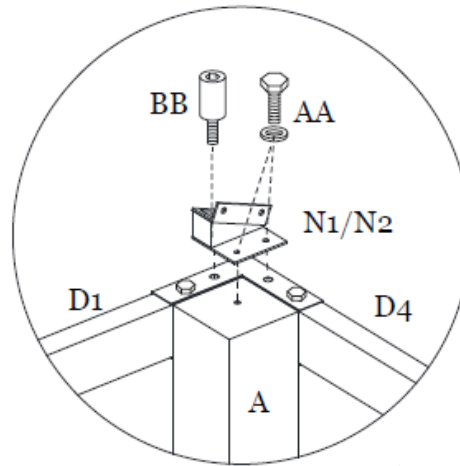


Figure 5-5

**Step 6A:** Attach the Roof Side Support Beam (I2) to L-Connector (N2) using Bolts (AA). Attach the Roof Side Support Beam (I1) to L-Connector (N1) using Bolts (AA). **Tighten all Bolts.** See Figure 6-1.

**Step 6B:** Attach the Vertical Brace (J1) to the Cross Beam Guard (H) using Bolts (AA). **Tighten all Bolts.** See Figure 6-2.

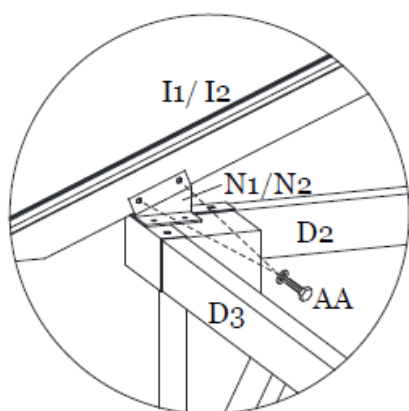
**Note:** The Vertical Brace (J1) will go around the Brackets that stick up on the Top Beam Guard (H).

**Step 6C:** Attach Left Support Bar (L2) to Cross Beam Guard (H) and to Roof Support Beam (I2) using Bolts (AA). Attach Right Support Bar (L1) to Cross Beam Guard (H) and to Roof Support Beam (I1). Using Bolts (AA). See Figure 6-3.

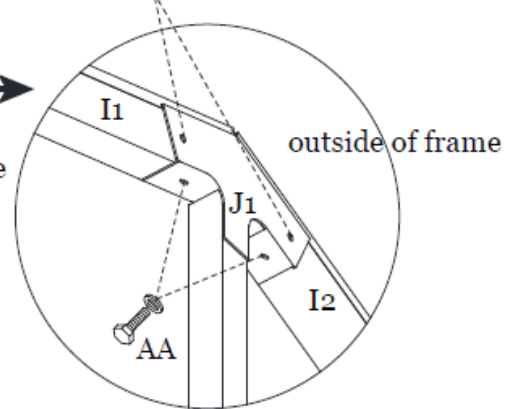
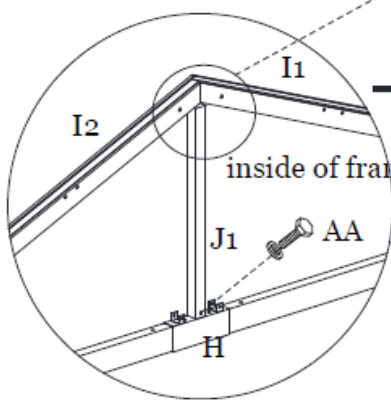
**Note:** The Left and Right Support Bar (L2 and L1) will go around the Brackets that stick up on the Top Beam Guard (H).

**Step 6D:** Repeat for remaining Support Bars (L2 and L1). **Tighten all Bolts.** See Figure 6.4

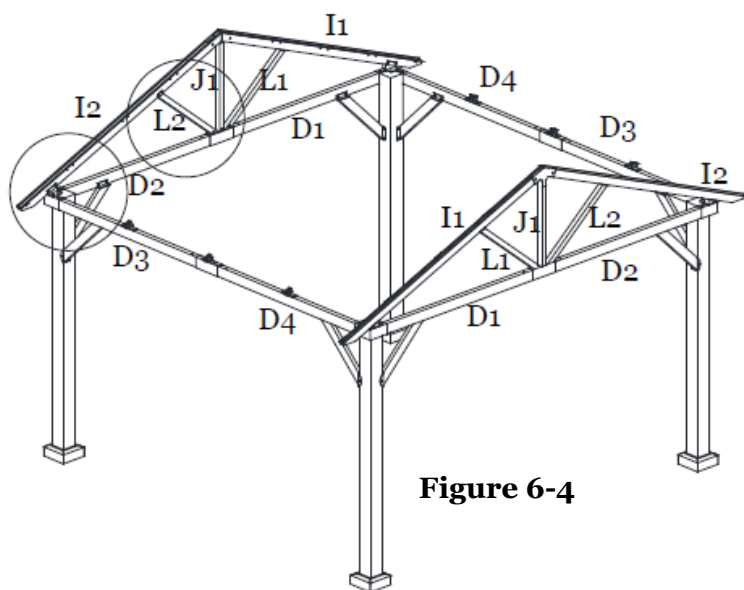
Do not screw the two holes in this step



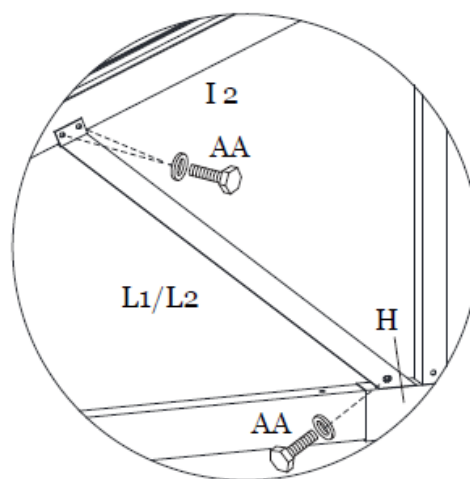
**Figure 6-1**



**Figure 6-2**

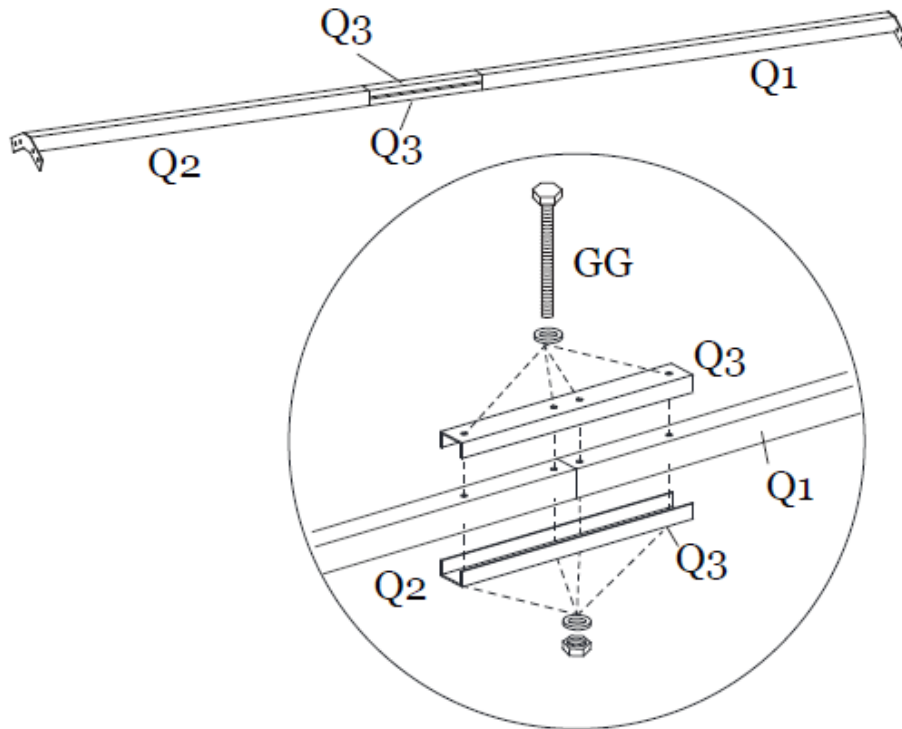


**Figure 6-4**



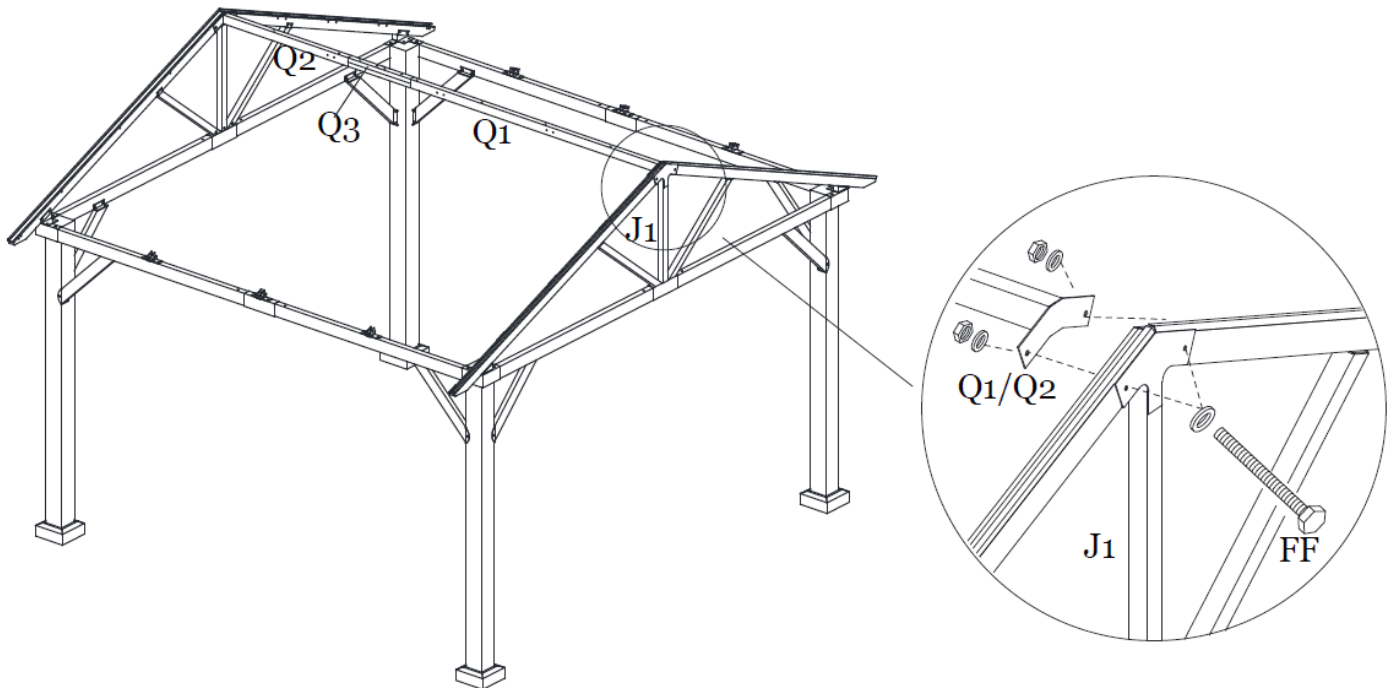
**Figure 6-3**

**Step 7:** Attach Top Beam Connector (Q3) to the top and bottom of Top Beam (Q1 & Q2) using Bolts (GG). **Tighten all Bolts.** See Figure 7.



**Figure 7**

**Step 8:** Attach the assembled Top Beam (Q1 and Q2) to the Vertical Brace (J1) using Bolts (FF). **Tighten all Bolts.** See Figure 8.

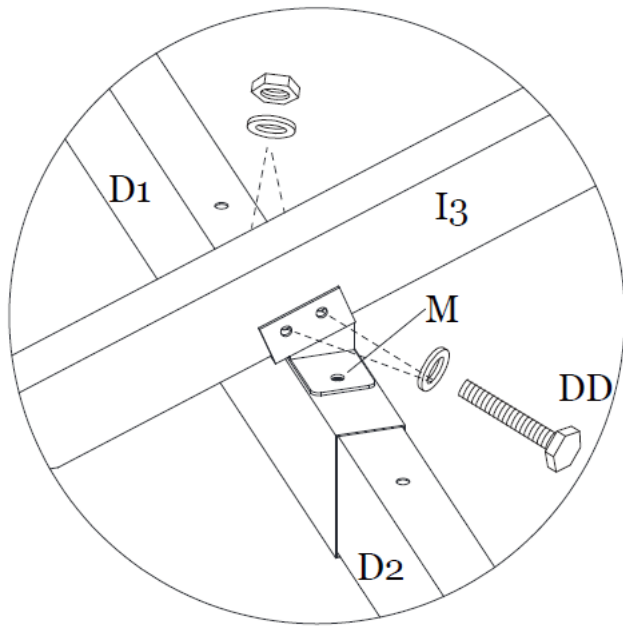


**Figure 8**

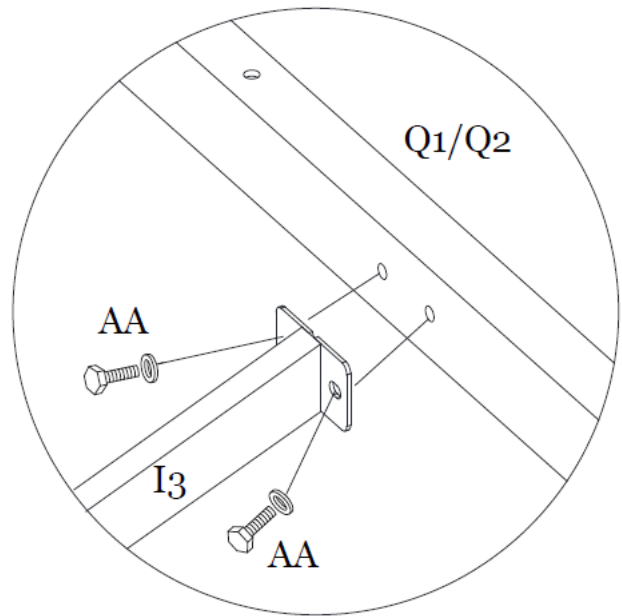
**Step 9A:** Attach Roof Support Beam (I3) to U-Connector (M) using Bolts (DD). See Figure 9-1.

**Step 9B:** Attach Roof Support Beam (I3) to Top Beam (Q1 & Q2) using Bolts (AA). See Figure 9-2.

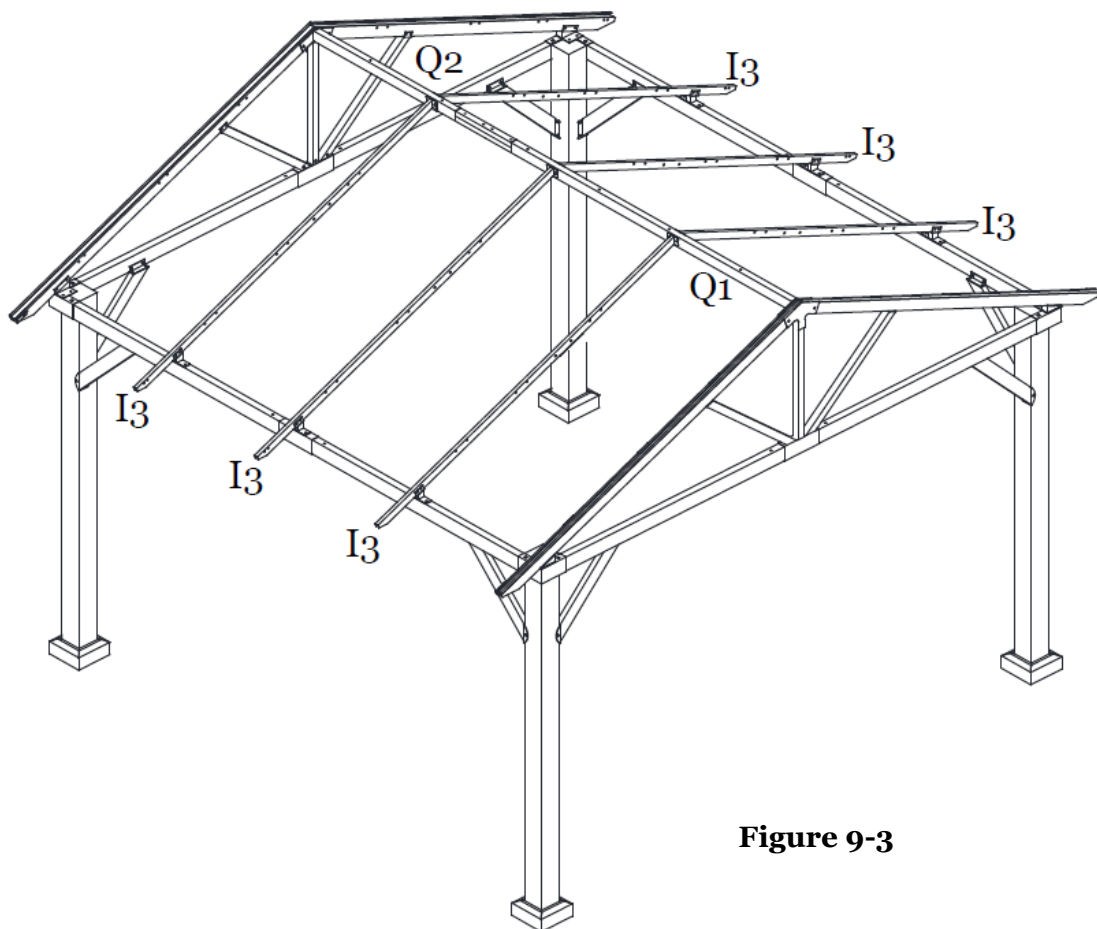
**Step 9C:** Repeat for remaining Roof Support Beams (I3). **Tighten all Bolts.** See Figure 9-3.



**Figure 9-1**



**Figure 9-2**



**Figure 9-3**

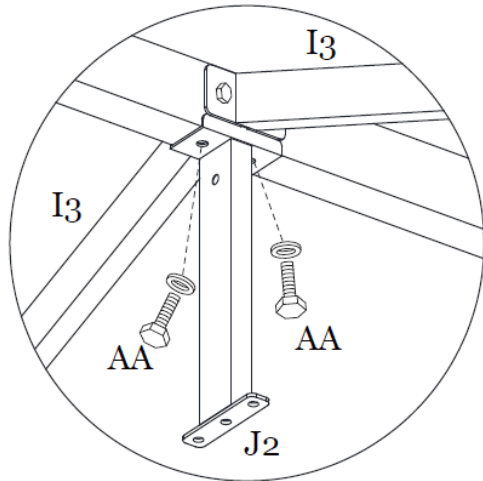
**Step 10A:** Attach the Connector (J2) to the bottom of Top Beam (Q1 and Q2) using Bolts (AA).

See Figure 10-1.

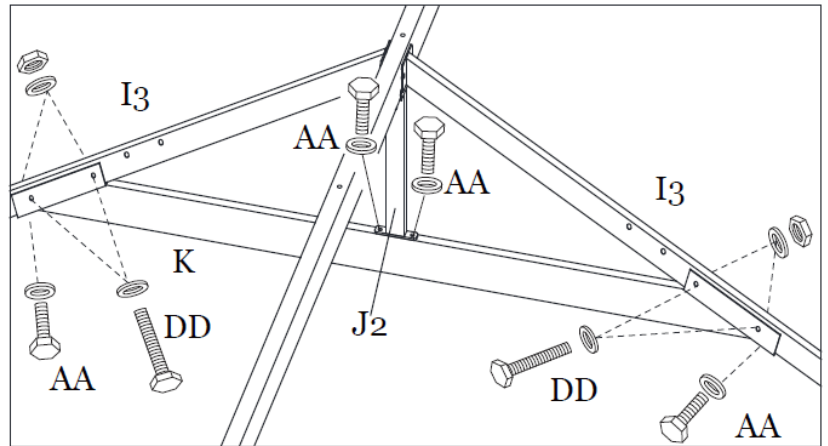
**Step 10B:** Attach the Top Support Bar (K) to the Roof Support Beam (I3) using Bolts (DD). Attach the Connector (J2) to the Top Support Bar (K) using Bolts (AA). See Figure 10-2.

**Step 10C:** Repeat for remaining Connectors (J2) and Top Support Bars (K). **Tighten all Bolts.**

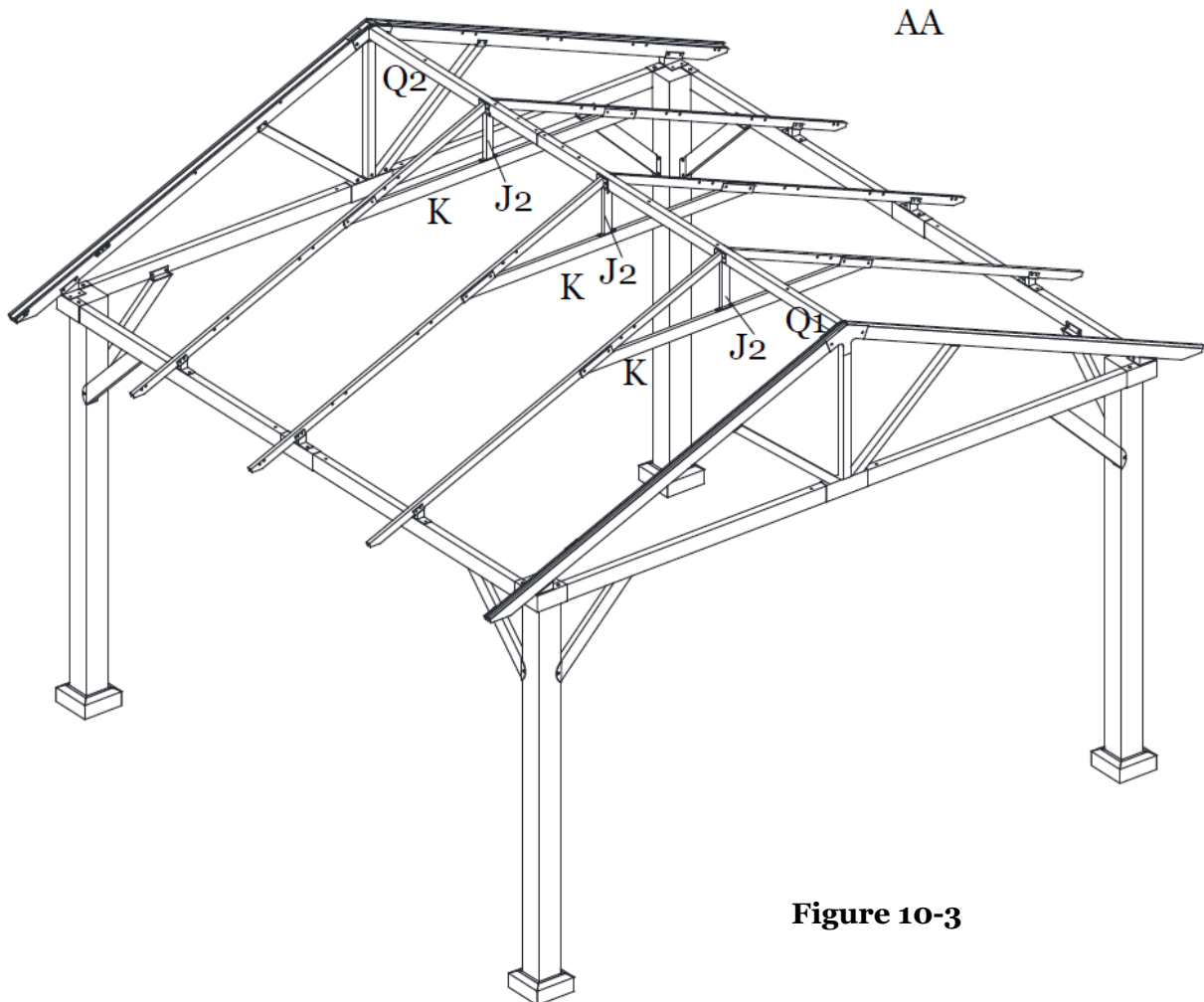
See Figure 10-3.



**Figure 10-1**



**Figure 10-2**

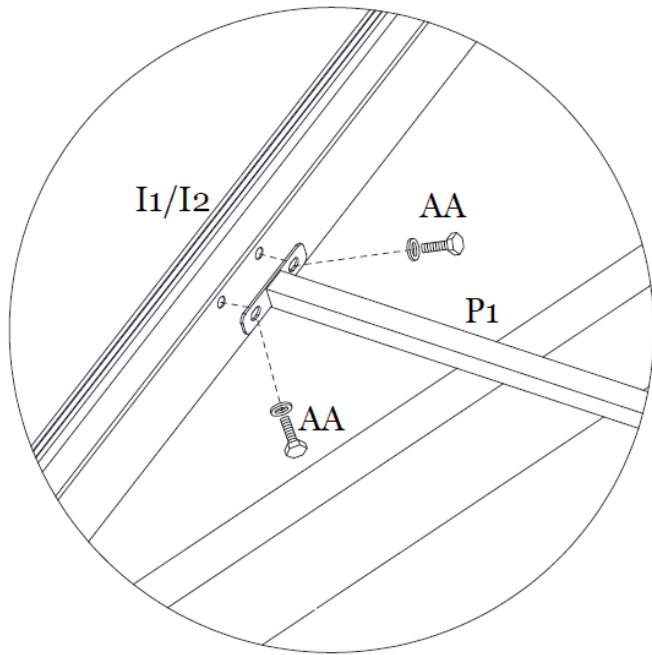


**Figure 10-3**

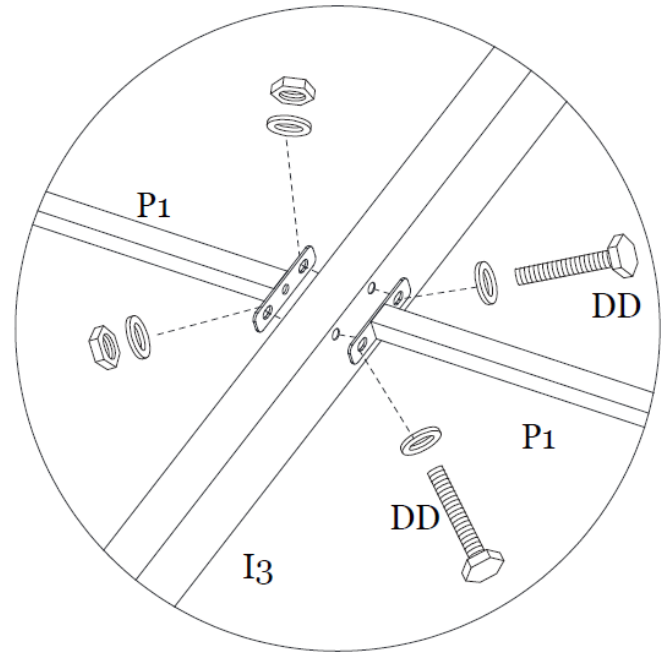
**Step 11A:** Attach the Roof Support (P1) to Roof Support Beam (I1 and I2) using Bolts (AA). See Figure 11-1.

**Step 11B:** Attach the Roof Support (P1) to Roof Support Beam I3 using Bolts (DD). See Figure 11-2.

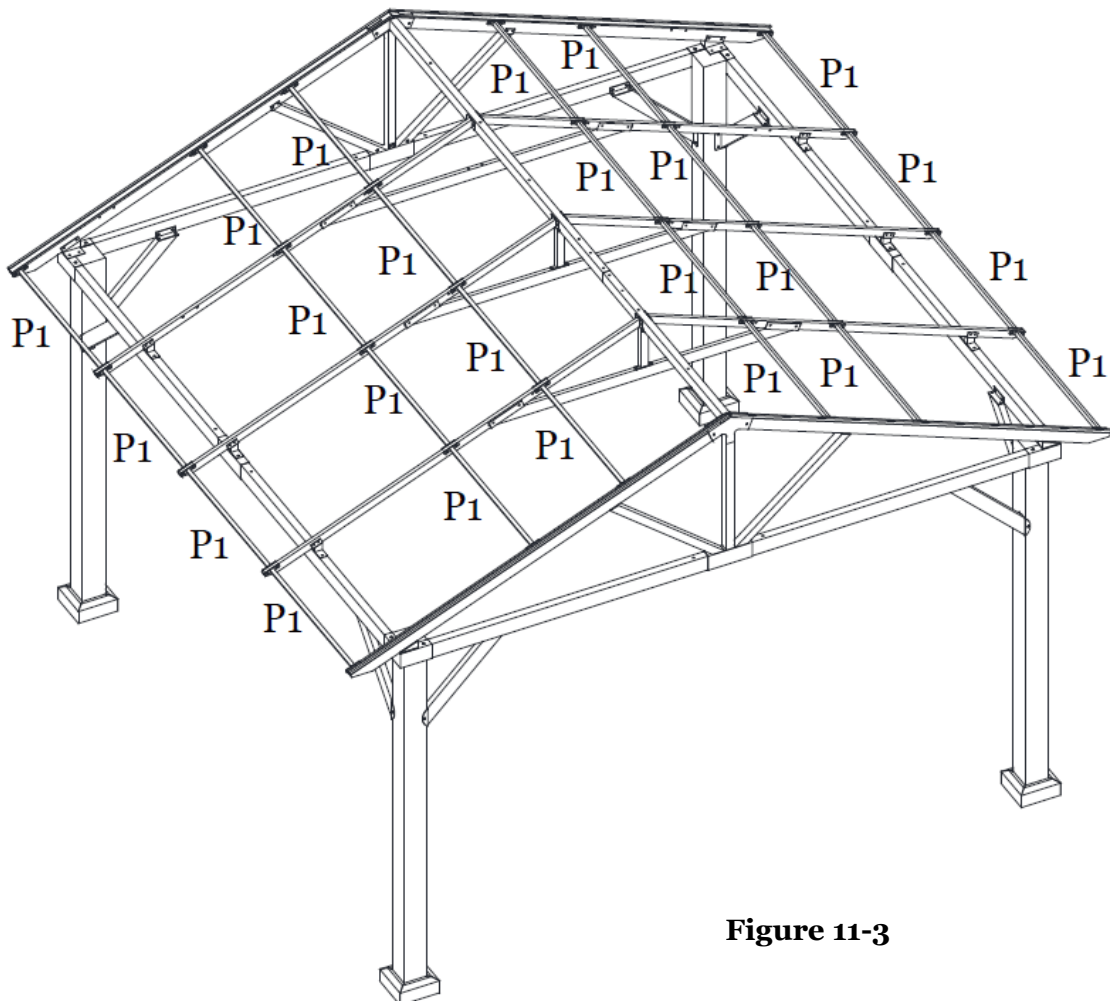
**Step 11C:** Repeat for remaining Roof Supports (P1). **Tighten all Bolts.** See Figure 11-3.



**Figure 11-1**



**Figure 11-2**



**Figure 11-3**



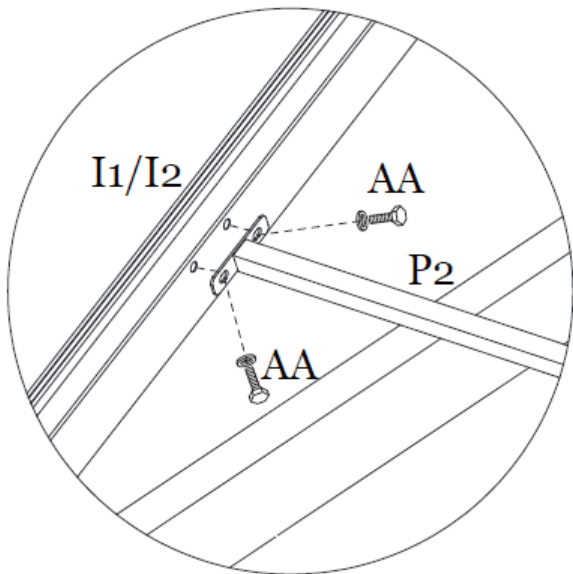
**Step 12A:** Attach the Roof Support (P2) to the Roof Support Beam (I1 and I2) using Bolts (AA).

See Figure 12-1.

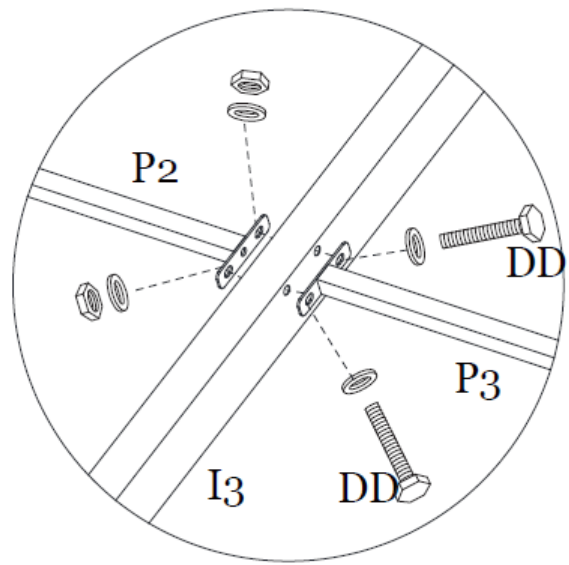
**Step 12B:** Attach the Roof Support (P3) to the Roof Support Beams (I3) using Bolts (DD). See Figure 12-2.

**Step 12C:** Repeat for remaining Roof Supports (P2 and P3). **Tighten all Bolts.** See Figure 12-3.

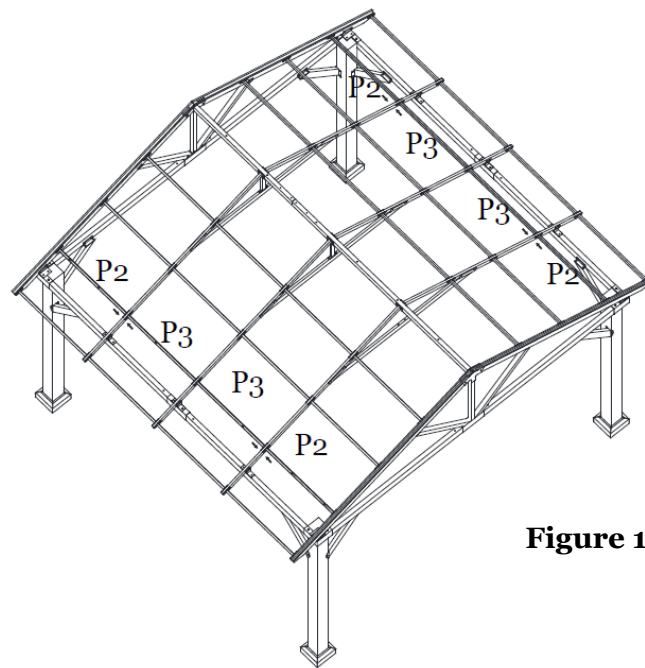
**Note:** Make sure the holes on Roof Supports (P2 and P3) are facing up.



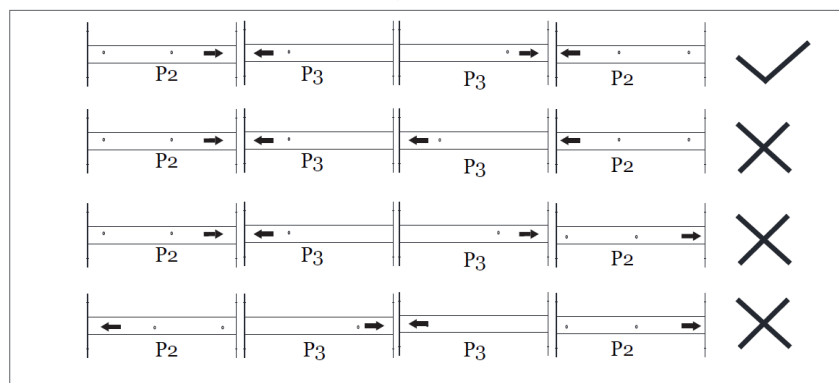
**Figure 12-1**



**Figure 12-2**



**Figure 12-3**



**Note:** Install the Roof Panels left to right. The right panel must overlap the left panel. Each Bolt (CC) must be attached to a Spacer (HH) on the top of the Roof Supports (P2 and P3).

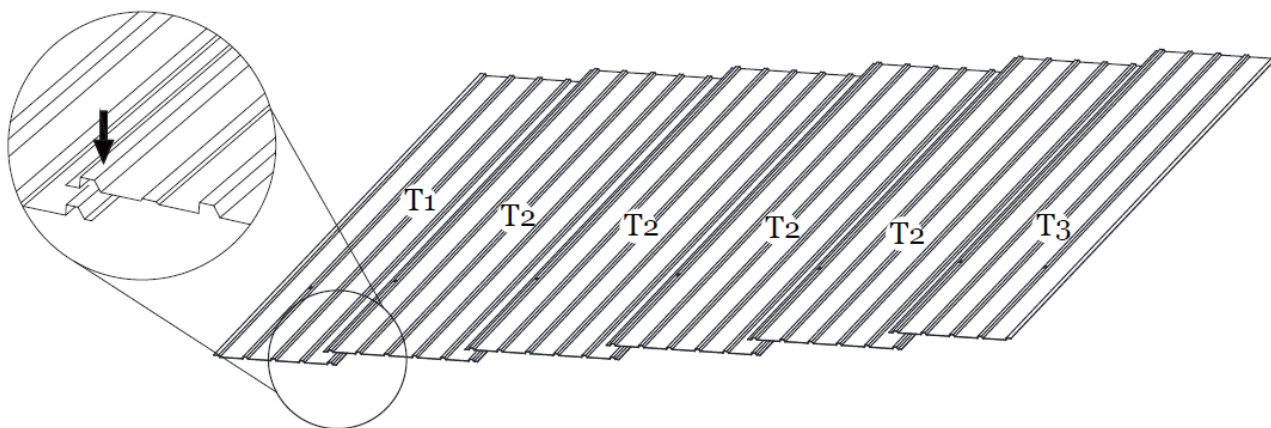
**Step 13A:** Attach the Roof Panel (T1) to the Roof Support (P2) using Bolts (CC) and Spacers (HH). **Hand Tighten Only.** See Figure 13-3.

**Note:** Roof Panel (T1) must go under the Roof Support Beam (I1). See Figure 13-2.

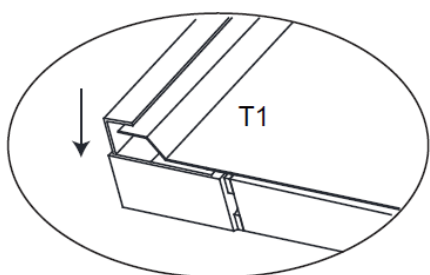
**Step 13B:** Attach the Roof Panel (T2) to the Roof Support (P2 and P3) using Bolts (CC) and Spacers (HH).

**Note:** Roof Panel (T2) must overlap Panel (T1). Repeat installation and overlapping for the remaining Roof Panels (T2, T2, T2, and T3). **Tighten all Bolts.** See Figure 13-1.

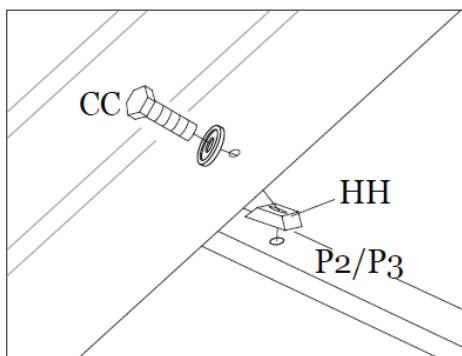
**Note:** When assembling the last Roof Panel (T3) it must go under the Roof Support Beam (I2).



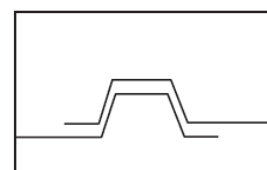
**Figure 13-1**



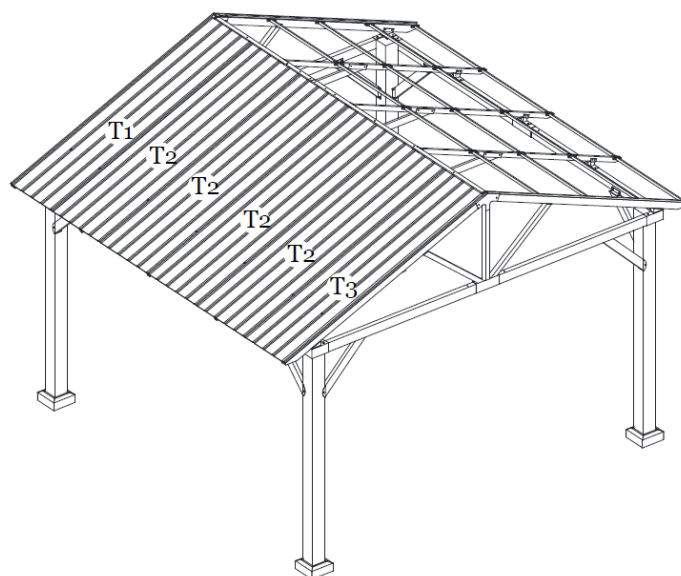
**Figure 13-2**



**Figure 13-3**



The connect shape of steel top panel.

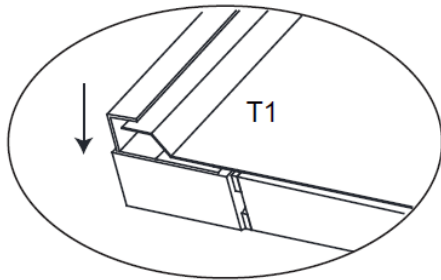


**Note:** Roof Panel (T1) must go under the Roof Support Beams (I1). See Figure 13-2.

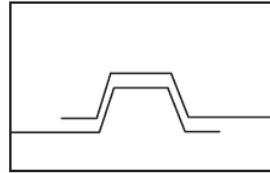
**Step 14A:** Attach the Roof Panel (T1) to the Roof Support (P2) using Bolts (CC) and Spacers (HH). Hand Tighten Only. See Figure 14-2.

**Note:** Roof Panel (T2) must overlap Panel (T1).

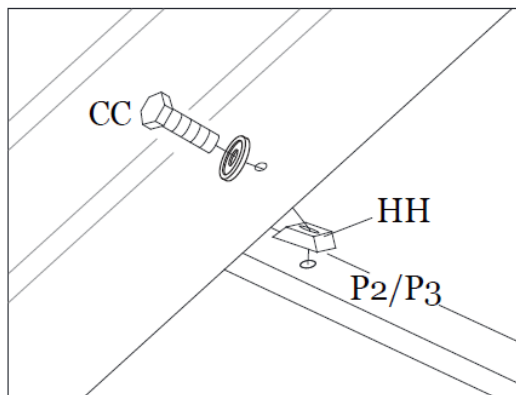
**Step 14B:** Attach the Top Panel Cover (S1) to the Top Beam (Q2) using Bolts (EE). See Figure 14-3



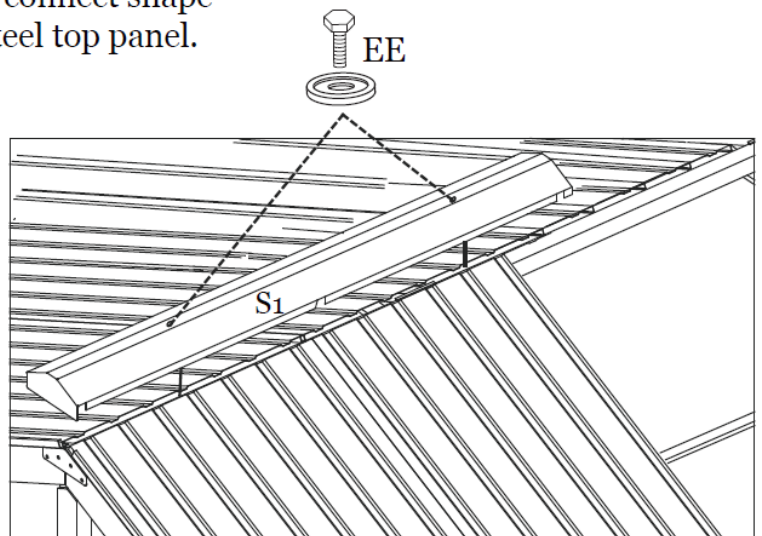
**Figure 14-1**



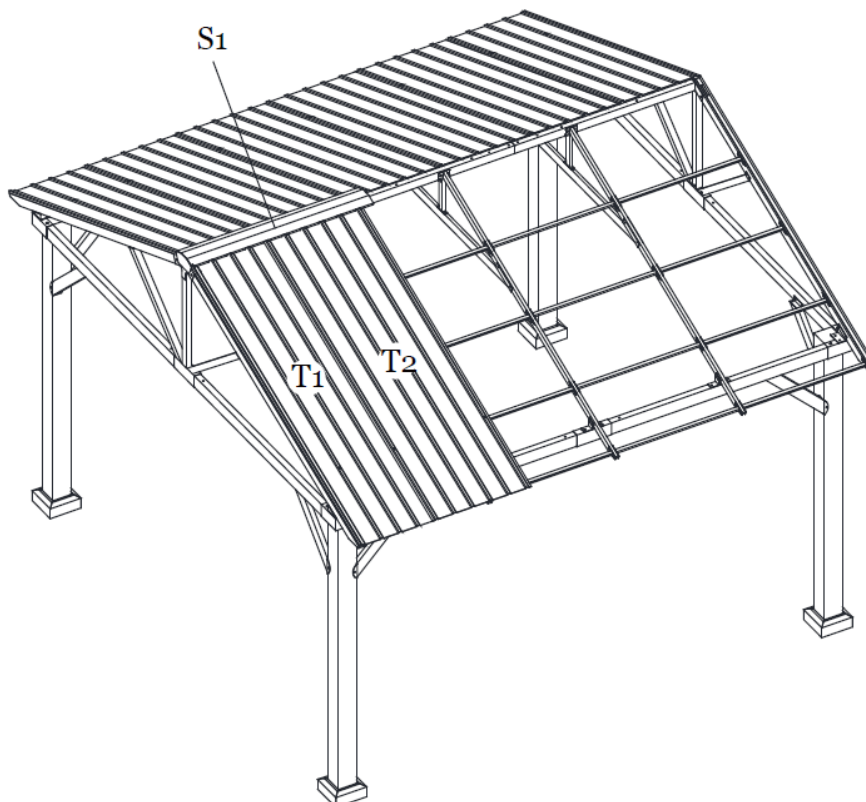
The connect shape  
of steel top panel.



**Figure 14-2**



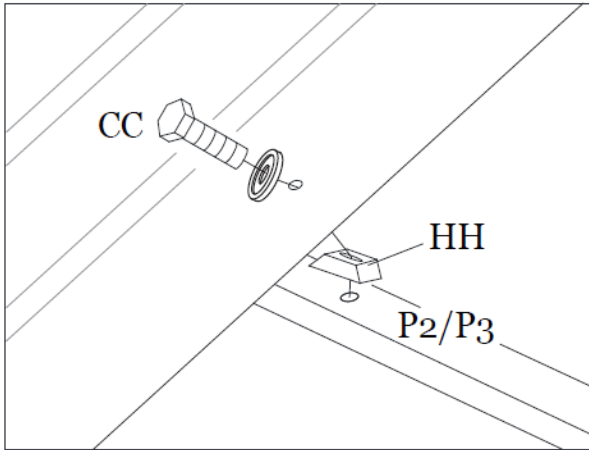
**Figure 14-3**



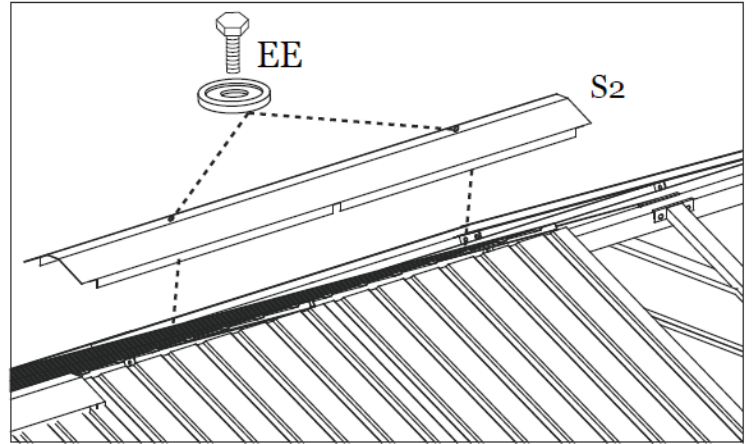
**Step 15A:** Attach the Roof Panel (T2) to the Roof Support (P2 and P3) using Bolts (CC) and Spacers (HH).  
**Hand Tighten Only.** See Figure 15-1 and Figure 15-3.

**Note:** Overlapping the Panels still applies.

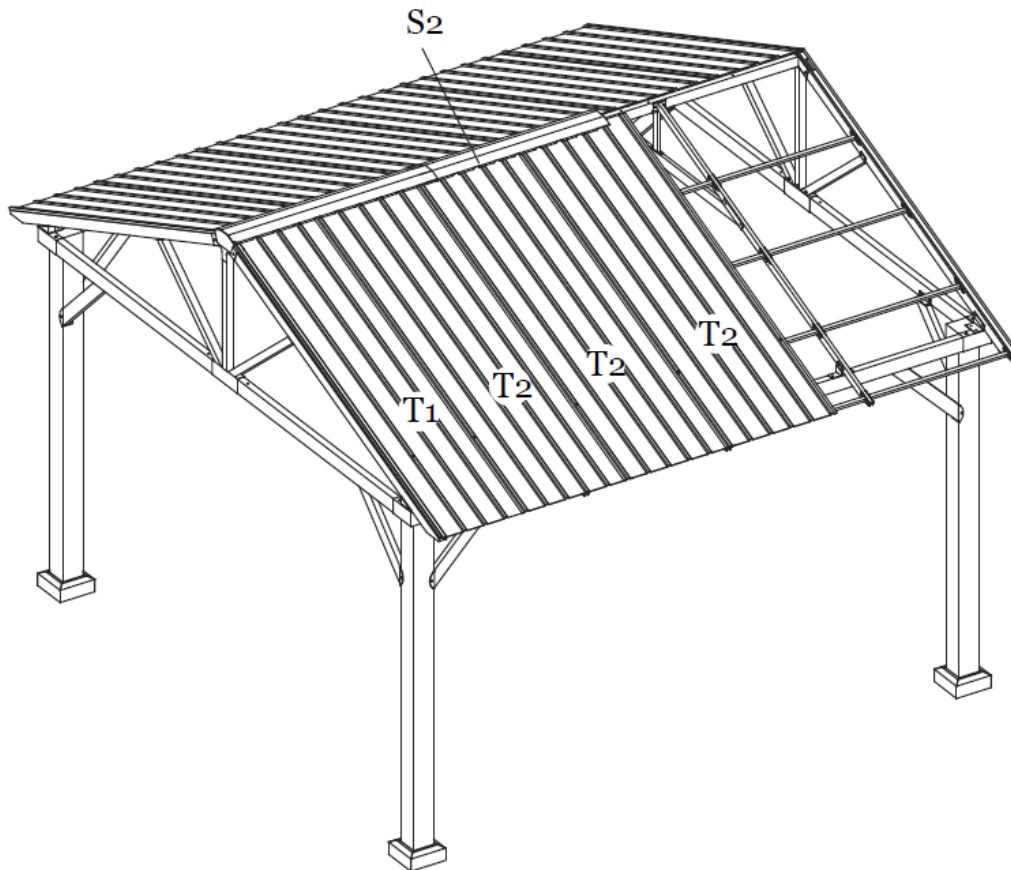
**Step 15B:** Attach the Top Panel Cover (S2) to the Top Beam (Q2 and Q1) using Bolts (EE). See Figure 15-2 and Figure 15-3.



**Figure 15-1**



**Figure 15-2**

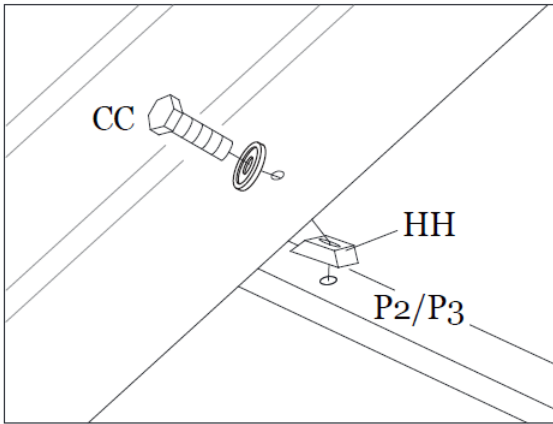


**Figure 15-3**

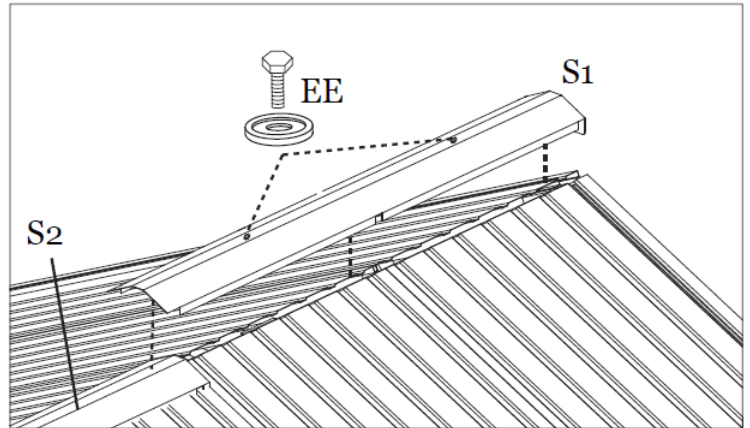
**Step 16A:** Attach the Roof Panel (T2 and T3) to the Roof Support (P2 and P3) using Bolts (CC) and Spacers (HH). **Hand Tighten Only.** See Figure 16-2.

**Note:** When assembling the last Roof Panel (T3) it must go under the Roof Support Beam (I2).

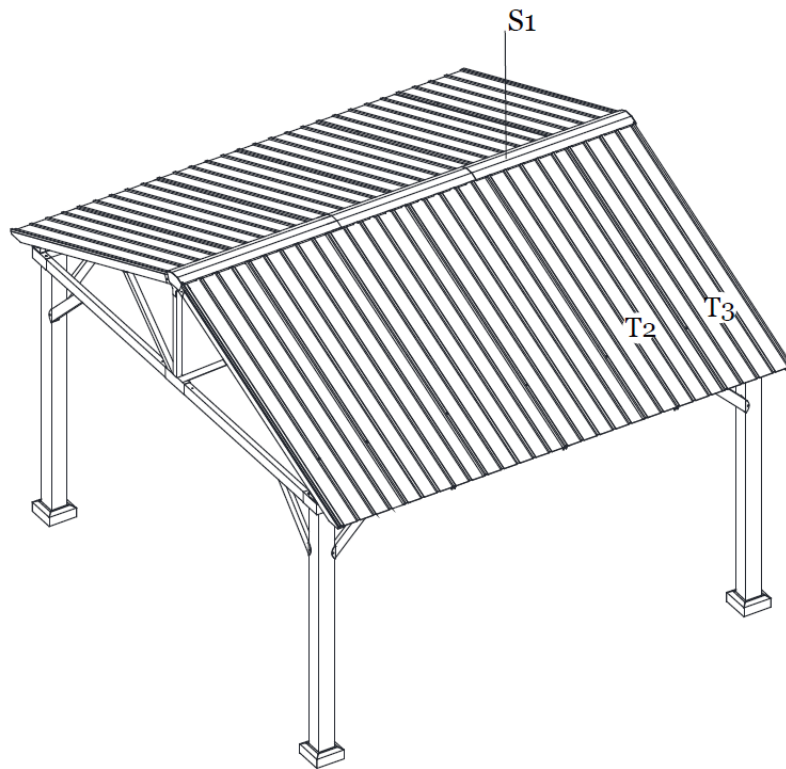
**Step 16B:** Attach the Top Panel Cover (S1) to the Top Beam (Q2 and Q1) using Bolts (EE). See Figure 16-3.



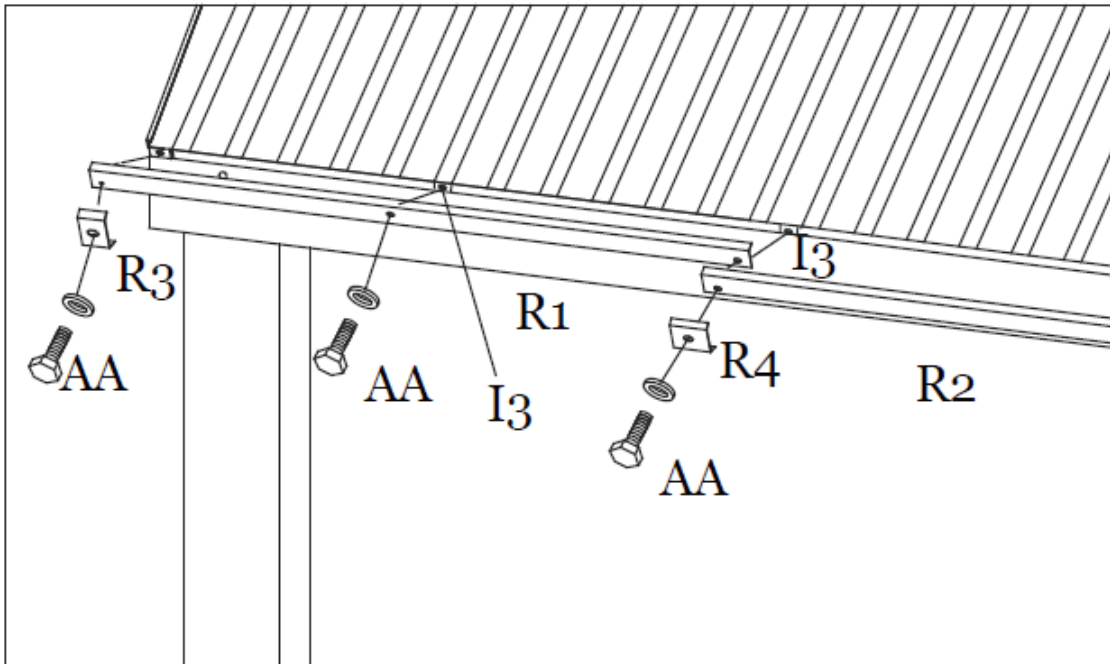
**Figure 16-2**



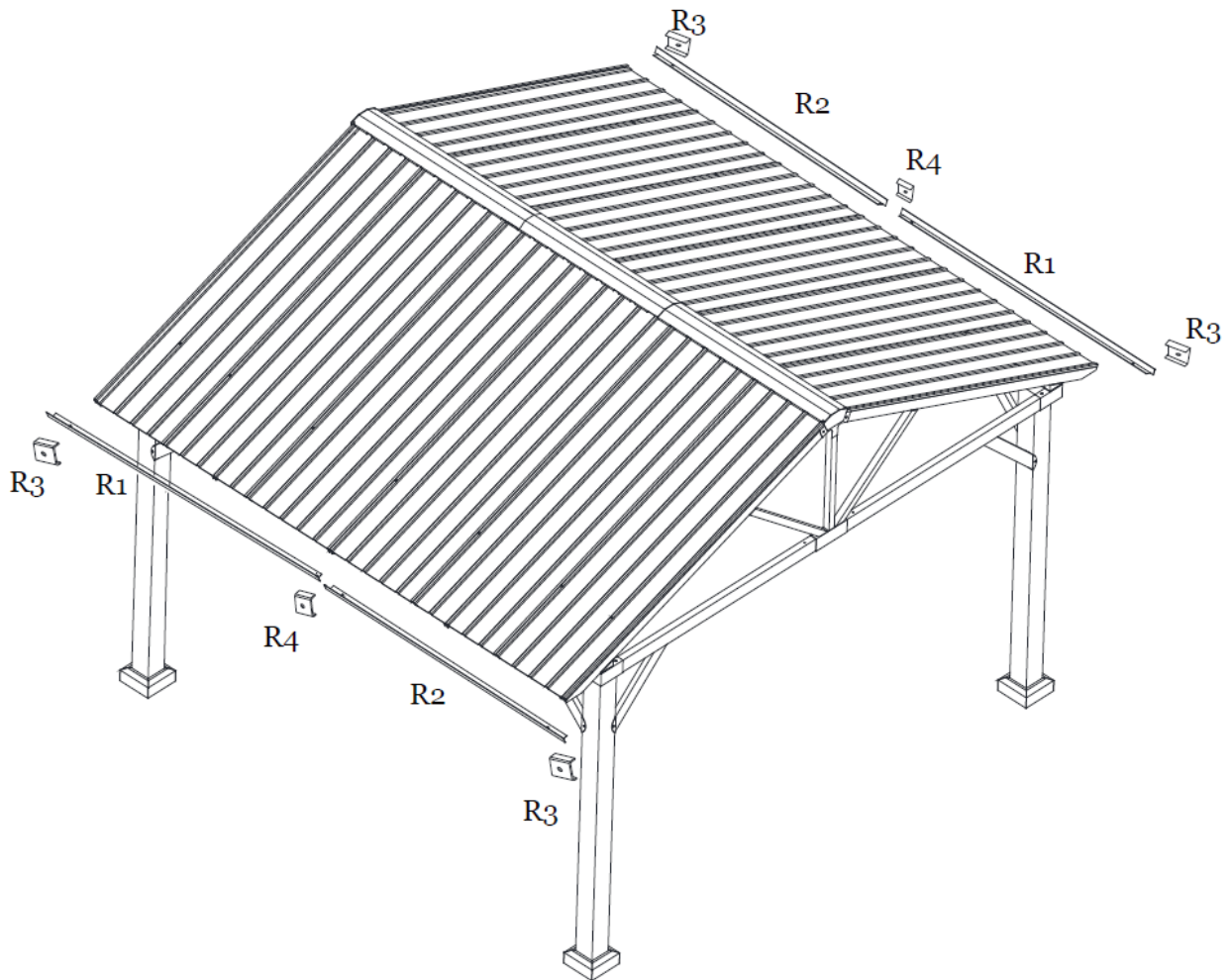
**Figure 16-3**



**Step 17:** Attach the Roof Trim (R1) to the End of the Roof Support Beams (I1, I3, and I2) using the Roof Trim Guards (R3 and R4) and Bolts (AA). **Tighten all Bolts.** See Figure 17-1 and Figure 17-2.

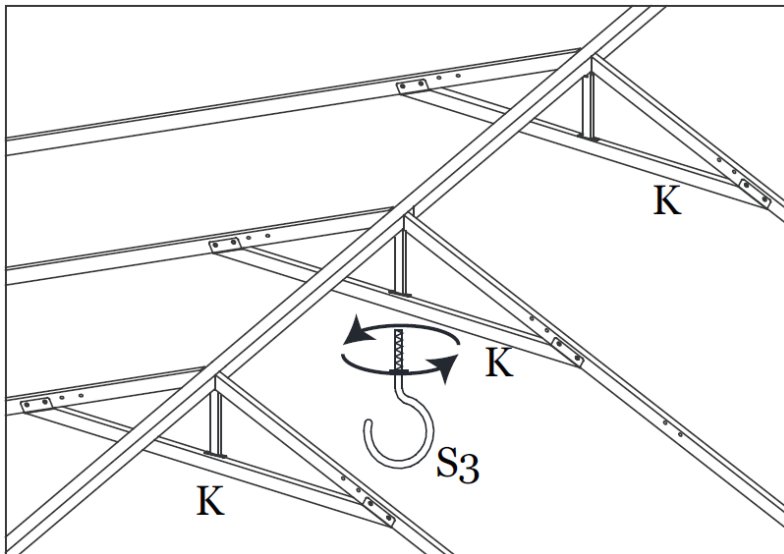


**Figure 17-1**

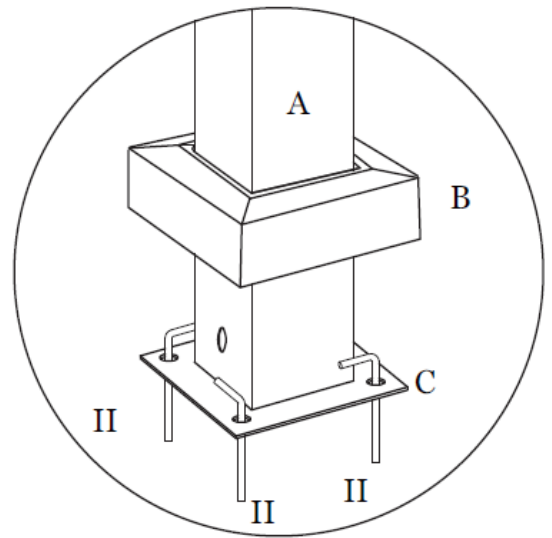


**Figure 17-2**

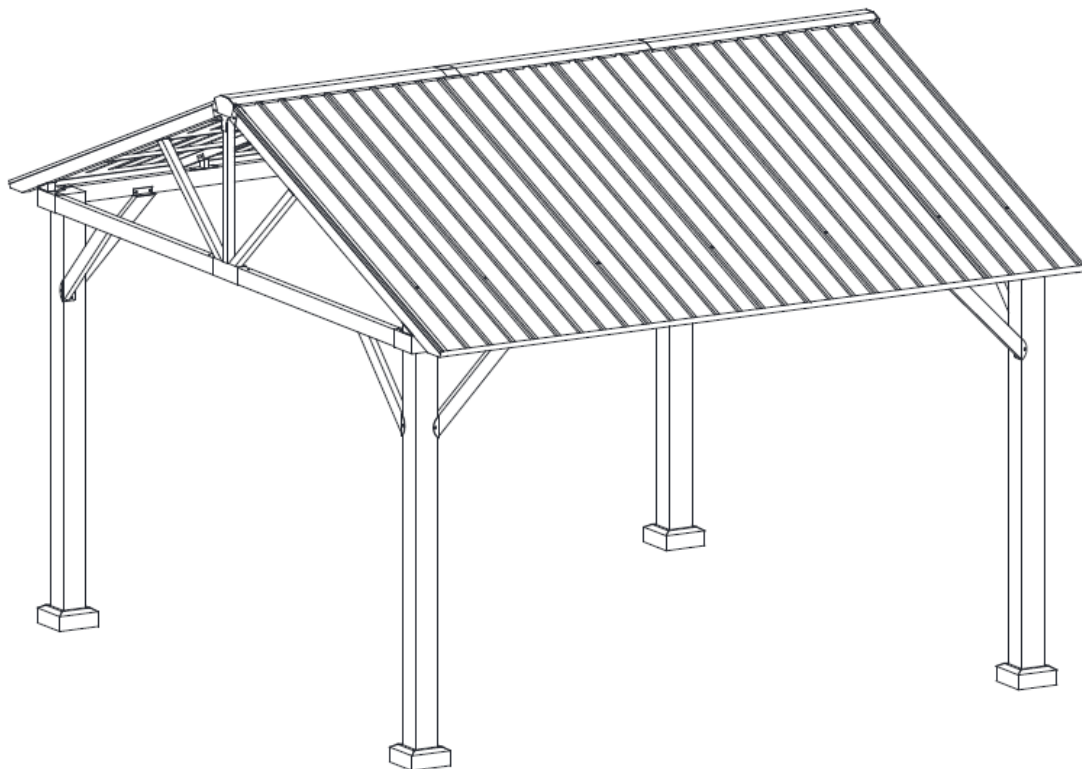
**Step 18:** Screw in Roof Vent Hook (S3) to Top Support Bar (K). See Figure 18-1. Secure the Pavilion by inserting the Ground Stakes (JJ) into the Base Plates (C). Repeat for all corners. See Figure 18-2.



**Figure 18-1**



**Figure 18-2**



**Note: Please see our video for additional assembly assistance:**

<https://shadenshelters.com/11x13-berken-pavilion>

## **Care & Maintenance**

Maintenance is required for the outdoor gazebo/pergola. Inspect all hardware thoroughly before use and during the season to make sure bolts are securely fastened. Remove canopy and store out of the elements when not in use or during hazardous weather conditions (wind, rain, snow, etc.). Failure to maintain the gazebo/pergola will void the warranty.

**Frame:** Clean frames with a mild soap and warm water. Do not use abrasive materials, cleaners or bleach. Rinse with clean water and dry thoroughly. Always clean, drain and dry thoroughly before storing for the winter.

**Fabric:** Clean fabric by hand with a mild solution of soap and water. Rinse thoroughly and allow to drip dry. Do not machine wash or tumble dry, as fabric may shrink. Do not use bleach or solvents on fabric.

## **Warranty**

1-year limited warranty; original receipt required to obtain warranty service.

**EXCLUSIONS:** Gazebos/Pergolas used for commercial, contract, or other non-residential purposes. Damage due to acts of nature, vandalism, misuse, improper assembly or maintenance. Discoloration, fading and mildew of fabric. Corrosion or rusting of frame.

**LIMITED WARRANTY:** The manufacturer will replace any part found to be defective in material or workmanship within 30 days of purchase date. The purchaser must contact the manufacturer's customer service department. After 30 days of purchase date the warranty is limited. The manufacturer, at its option, will repair or replace the defective parts. Proof of purchase (dated register receipt) and photos are required for all warranty claims. It remains the customer's responsibility to pay for freight and packaging charges to and from the service center. Warranty is to the original purchaser and is non-transferable. Any replacement or warranted items will be in the original style and color, or similar style and color if the original is unavailable or has been discontinued.

Please contact our Customer Service for assembly assistance or missing/damaged parts. Do not return to the store without authorization.

## **Accessories**

Privacy Curtains, Winter Covers, Winter Support Poles, and Replacement Mosquito Netting are available for select items. Please visit your retailer's website or contact [service@shadenshelters.com](mailto:service@shadenshelters.com) for more information.

## **Customer Service Contact Information**

Hours: Monday - Friday 8:00 a.m. - 5:00 p.m. Central Time (CT)

Phone: 1-888-607-4417

Email: [service@shadenshelters.com](mailto:service@shadenshelters.com)