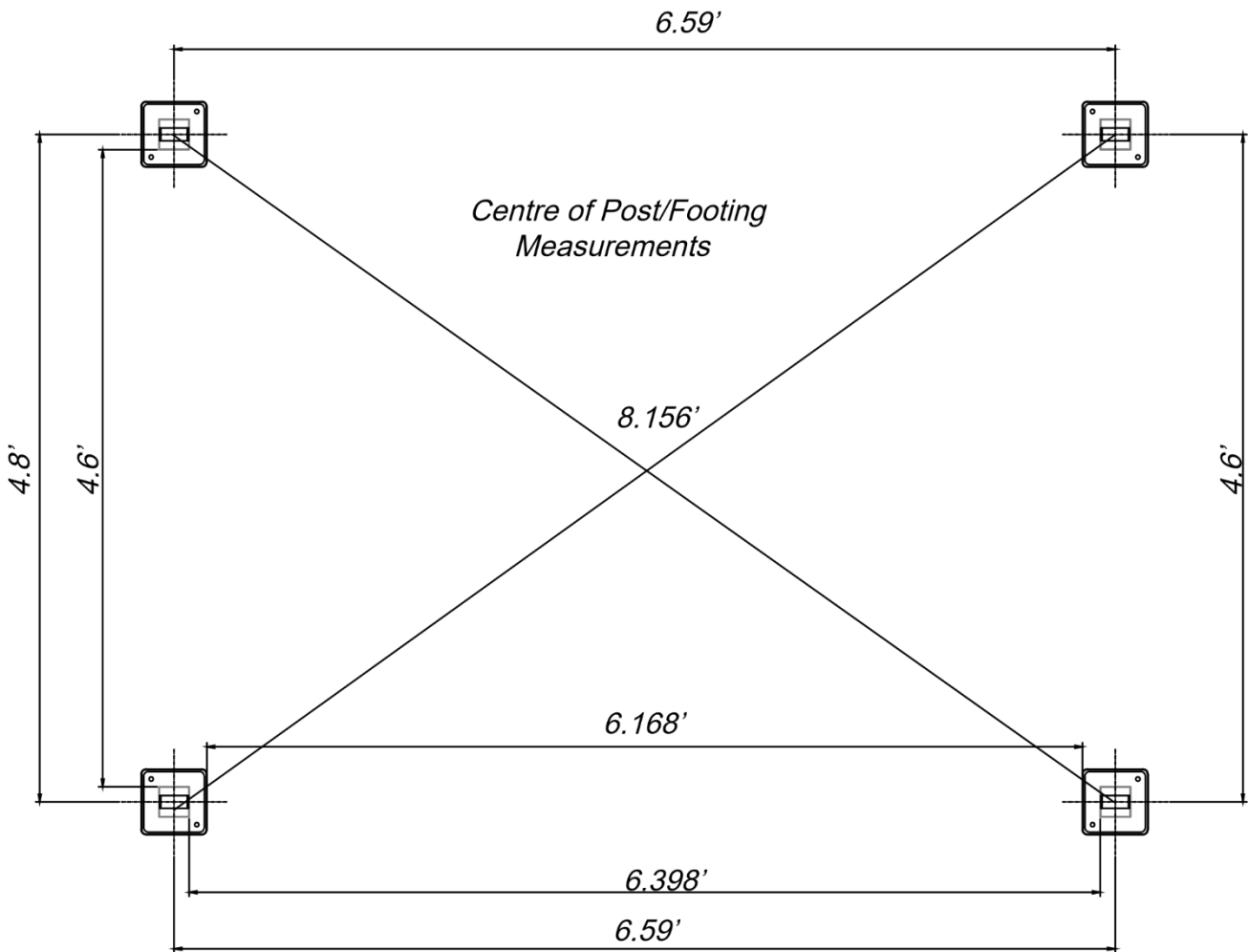
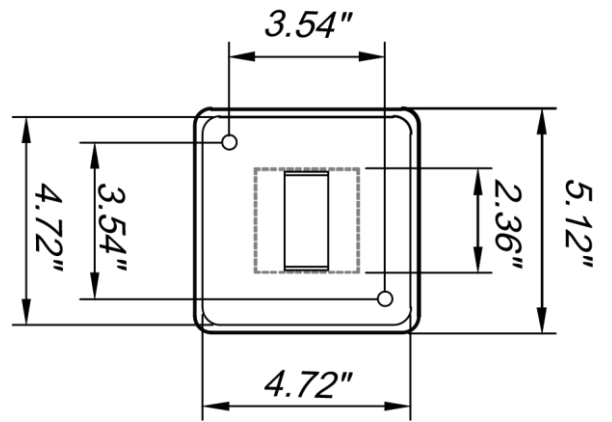
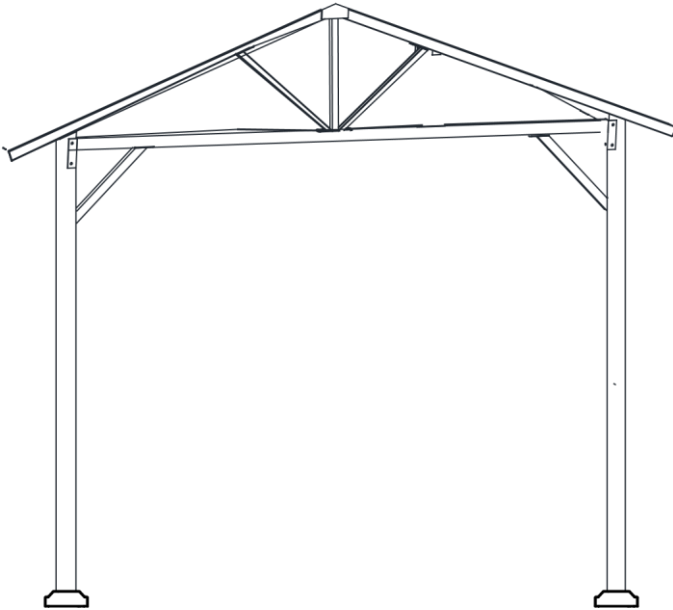
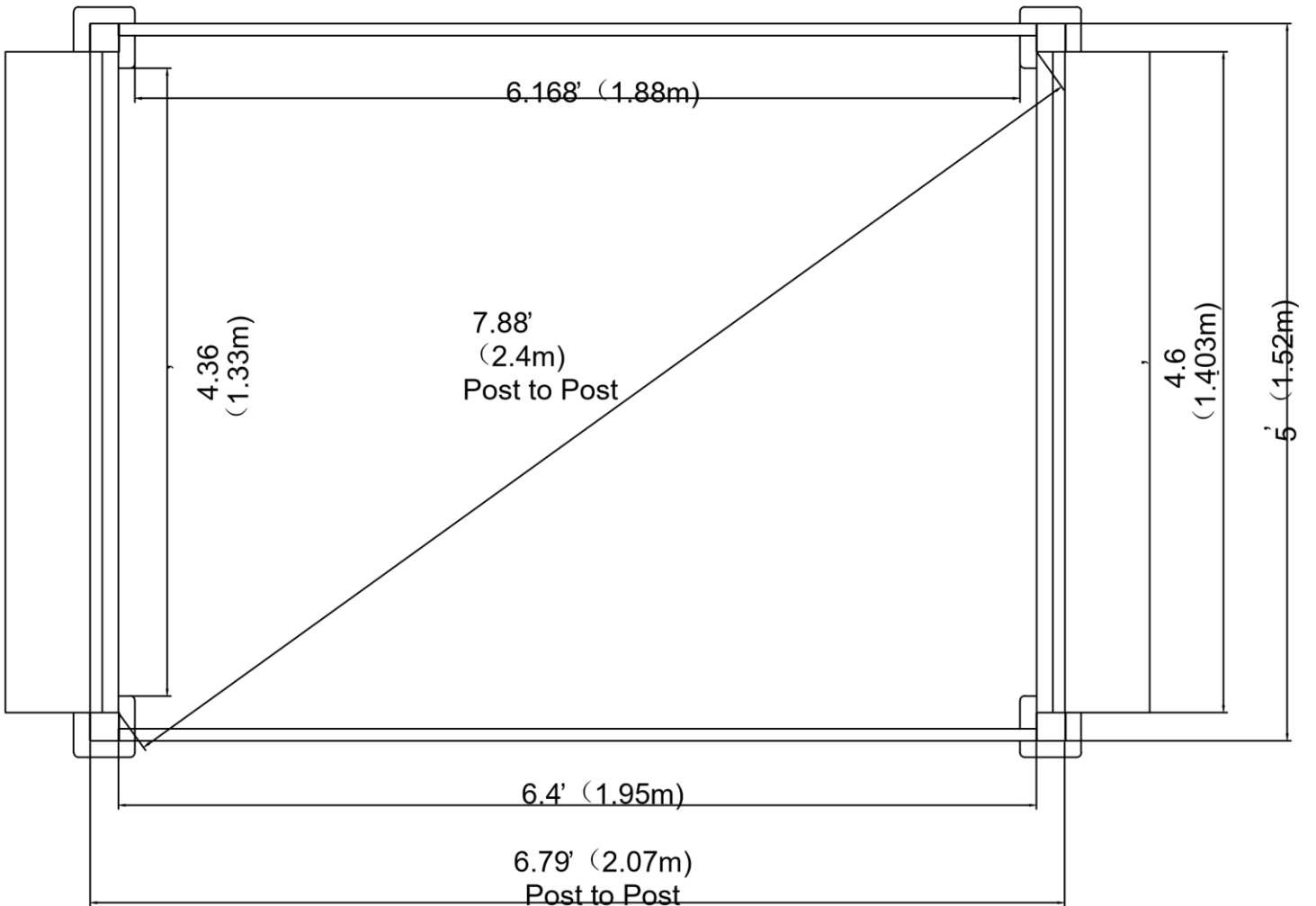
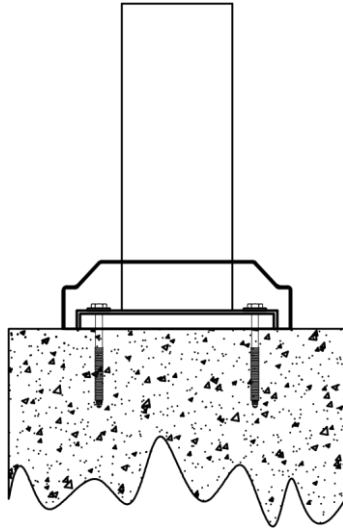


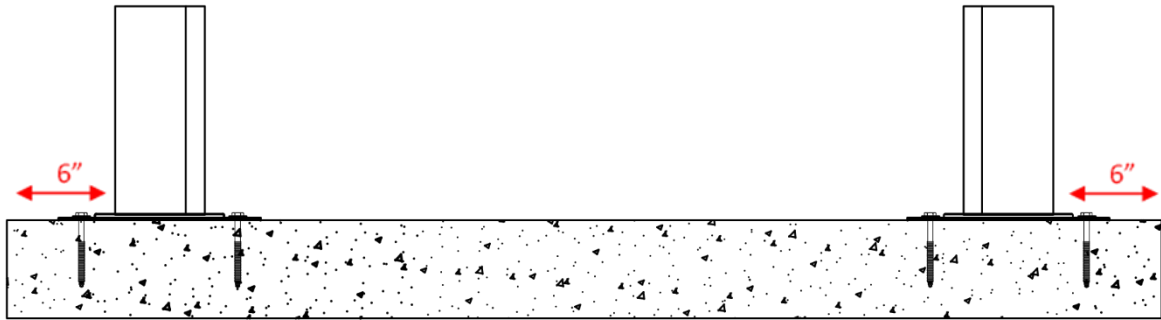
8' x 5' Grill Gazebo



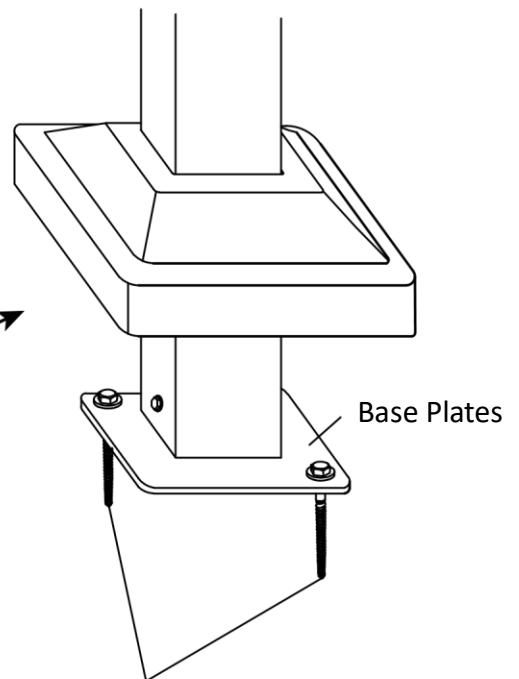
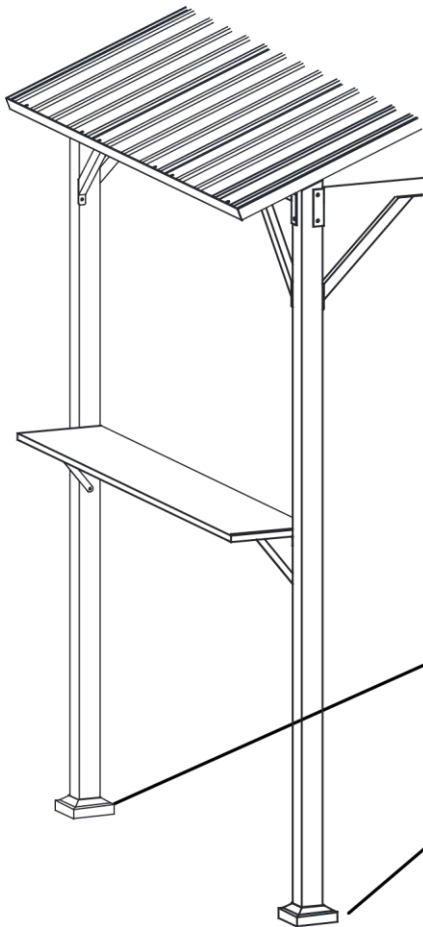
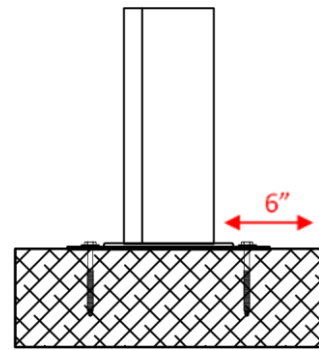
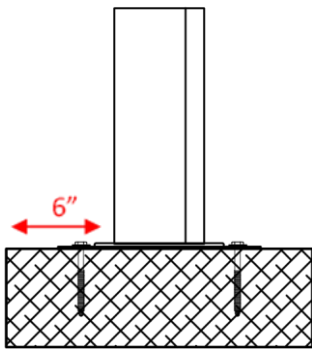
Concrete Footer



Concrete Patio Slab [min. 5' x 8' (1.524 m x 2.44m)] with 6' (1.83 m) clearance on all sides



Wood Deck Area [min. 5' x 8' (1.524 m x 2.44m)] with 6' (1.83 m) clearance on all sides



Anchoring Hardware (not included)