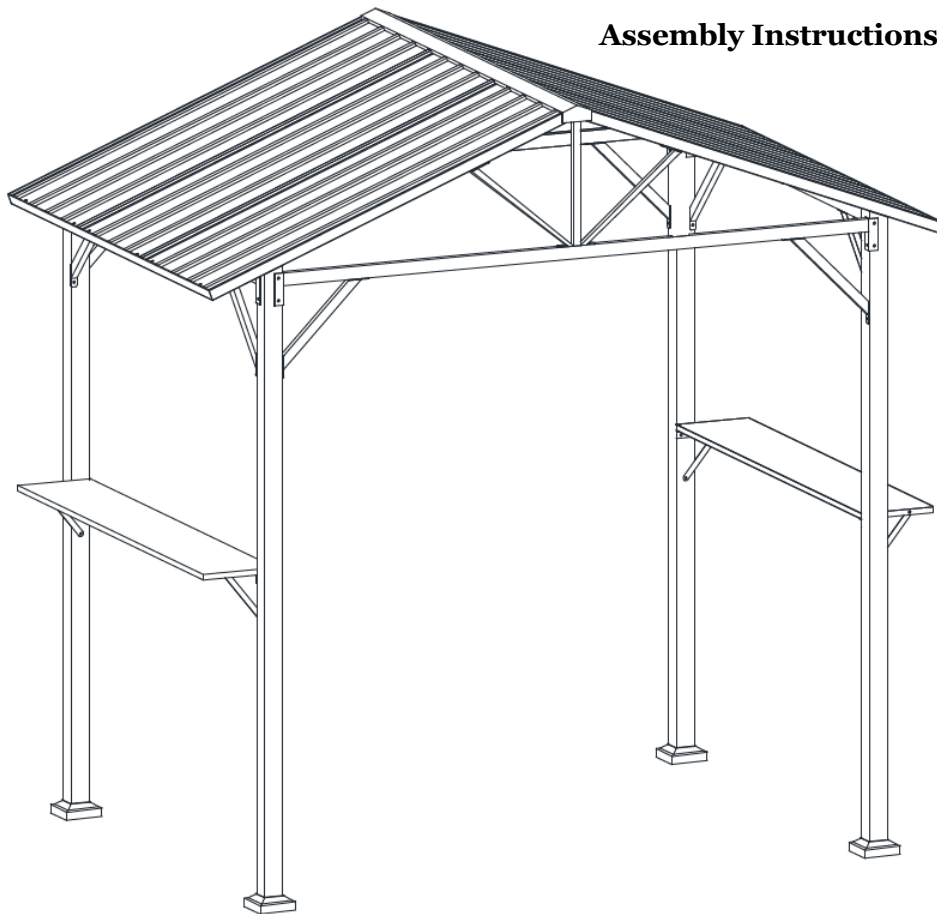


# Shade N' Shelters®

## Owner's Manual 8' x 5' Grill Gazebo


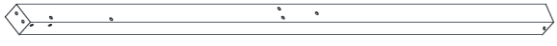


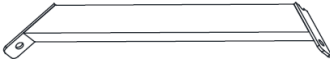



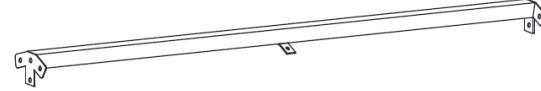


Scan For Video  
Assembly Instructions!












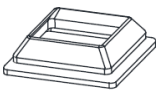


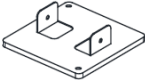


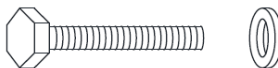




Note: This gazebo frame is designed to be used as a permanent fixture. The Grill Gazebo cover is recommended when not in use or storing for winter. Please visit: <https://shadenshelters.com> to purchase.

# Parts List

## 8' x 5' Grill Gazebo

Letter	Illustration	Description	Qty.
A1		Corner Post	2
A2		Corner Post	2
B		Roof Beam-Long Side	2
C		Roof Beam-Short Side	2
D		Corner Supports	8
E1		Roof Frame-Long Side	2
E2		Roof Frame-Long Side	2
F		Roof Frame-Short Side	2
G		Roof Beam-Top	1
H		Roof Frame-Middle	2
I		Roof Support	4

Letter	Illustration	Description	Qty.
J		Roof Support	2
K		Roof Frame Connector Plate	2
L		Roof Corner Connector Plate	4
M		Bar Shelf	2
N		Bar Shelf Connector Plate	4
O		Bar Shelf Connector Plate	4
P		Roof Panel Connector Plate	12
Q1		Roof Panel	2
Q2		Roof Panel	2
Q3		Roof Panel	2
R		Roof Trim-Top	1
S		Base Cover	4

Letter	Illustration	Description	Qty.
T		Base Plate	4
U		Roof Frame-Horizontal	4
AA		M6 x 15mm Bolt with Washer	128
BB		M6 x 40mm Bolt with Washer	2
CC		Screw with Washer	8
DD		Ground Stake	8
EE		M6 Hex Wrench	2
FF		Allen Wrench	1

# Assembly Instructions

## 8' x 5' Grill Gazebo

Note: For video instructions please visit:

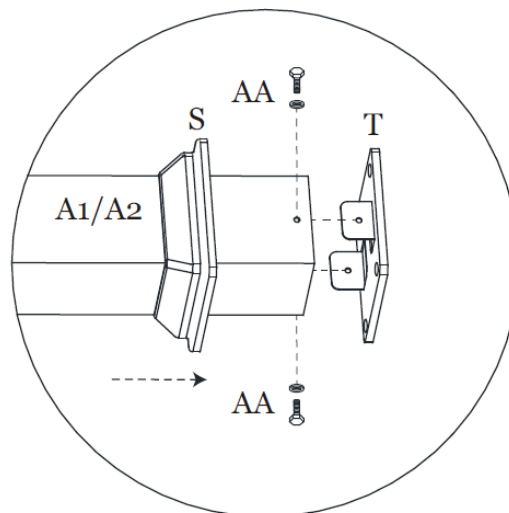
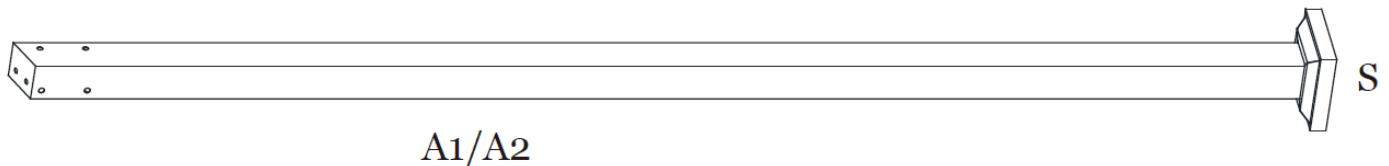
<https://shadenshelters.com/8-x-5-grill-gazebo>

### Important:

- Read all the instructions before assembly. Failure to do so may result in faulty assembly and potential injury.
- Before assembling the product, remove all protective materials, hardware kit(s), and identify all parts packed in the carton are present. (Note: If any part is missing or damaged, do not attempt to assemble). Contact Shade N' Shelters Customer Support. See page 11.
- Assemble on a stable level surface to avoid damage to gazebo and possible injury.
- Two people are required to assemble this product.
- Gazebo dimensions are measured from roof corner to roof corner.

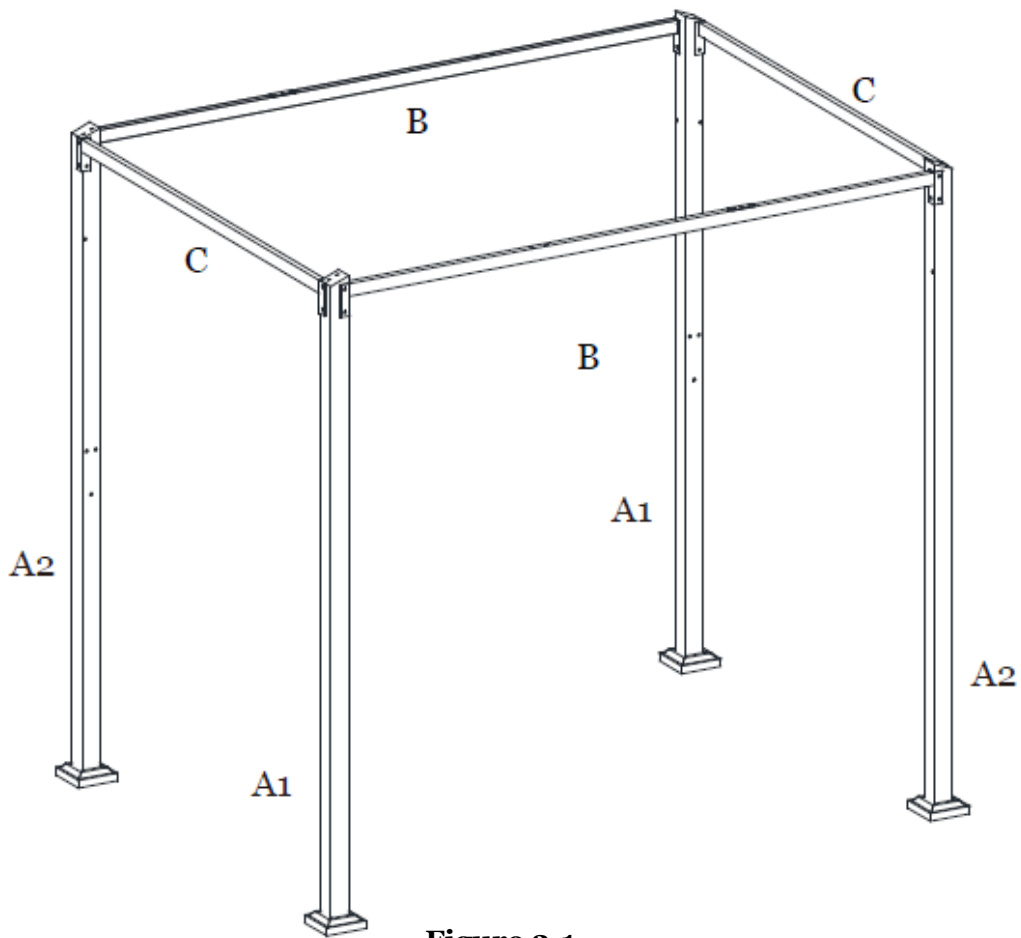
**WARNING: DO NOT TIGHTEN BOLTS UNTIL NOTED AFTER EACH STEP!**

**Step 1:** Insert the Corner Post (A1/A2) into the Base Cover (S), then connect the Base Plate (T) to the Corner Post (A1/A2) with Bolt (AA). Repeat for opposite side. **Tighten all Bolts.** See Figure 1.

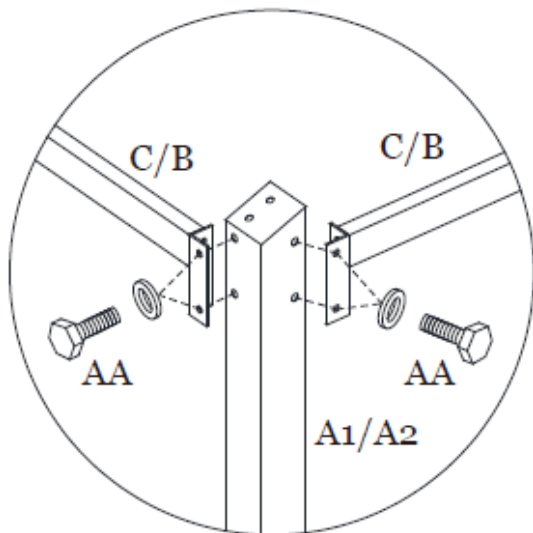


**Figure 1**

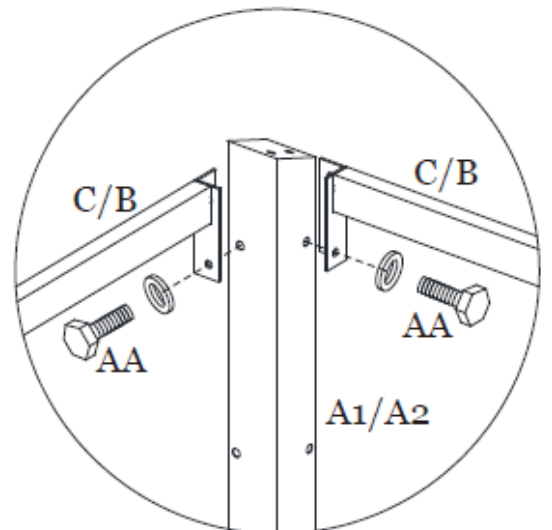
**Step 2:** Attach the Long and Short Roof Beams (B/C) to the Corner Posts (A1/A2) with Bolt (AA). Repeat for opposite side. **Tighten Bolts.** See Figure 2-1, Figure 2-2 and Figure 2-3.



**Figure 2-1**



**Figure 2-2**



**Figure 2-3**

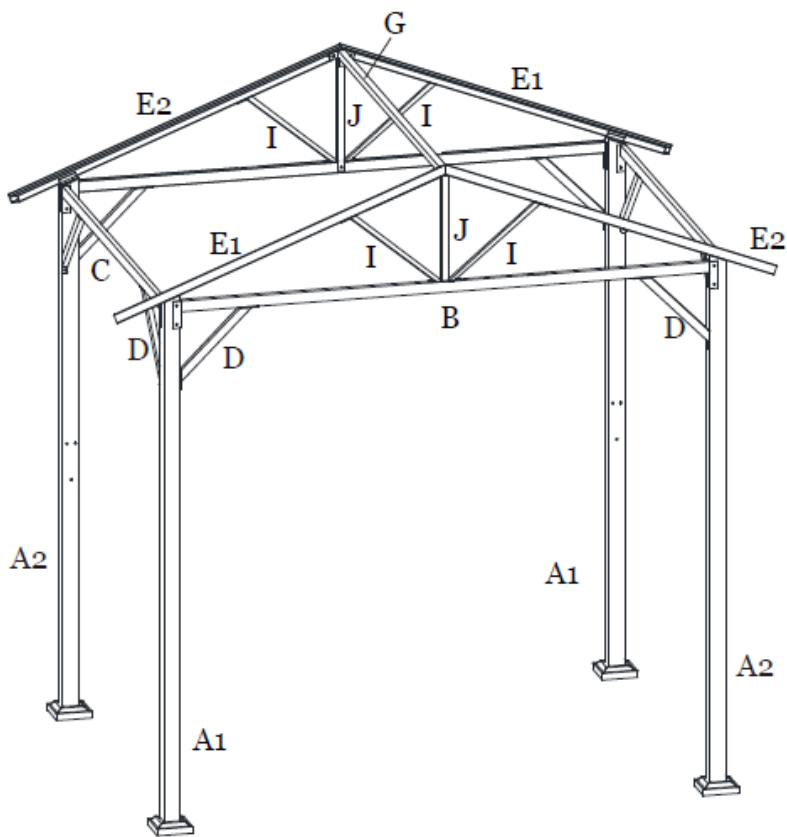
**Step 3A:** Attach the Corner Supports (D) to the Roof Beam (B/C) and the Corner Posts (A1/A2) with Bolts (AA). Repeat for all corners. See Figure 3-1.

**Step 3B:** Attach the Long Roof Frames (E1/E2) to the Corner Posts (A1/A2) with Bolts (AA). Repeat for opposite side. See Figure 3-2.

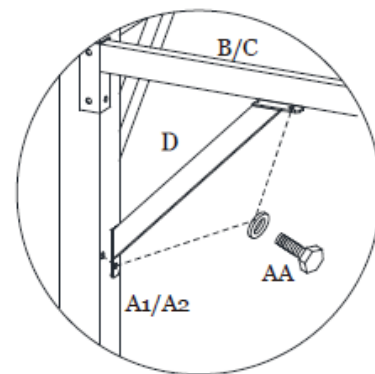
**Step 3C:** Attach Roof Supports (J and I) to the Long Roof Beams (B) with Bolts (AA). Attach opposite end of Roof Supports (I) to Long Roof Frames (E1/E2) using bolts (AA). See Figure 3-3A and Figure 3-3B.

**Step 3D:** Attach Top Roof Beam (G) to Long Roof Frames (E1/E2) and Roof Support (J) using bolts (AA). See Figure 3-4.

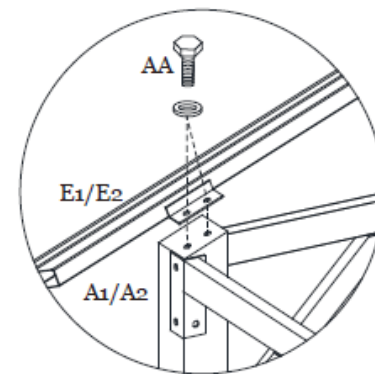
**Step 3E:** Repeat for opposite side. Tighten all Bolts. See Figure 3-5.



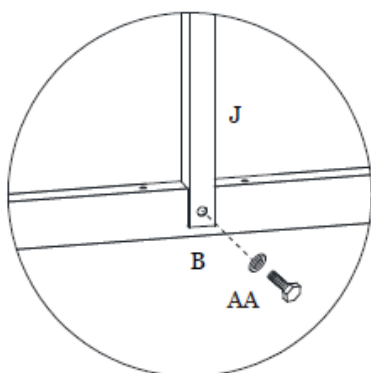
**Figure 3-5**



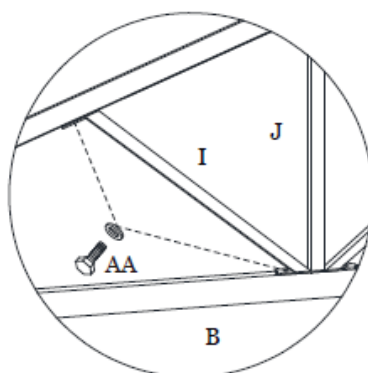
**Figure 3-1**



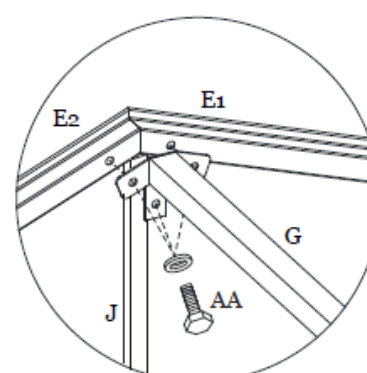
**Figure 3-2**



**Figure 3-3A**



**Figure 3-3B**



**Figure 3-4**

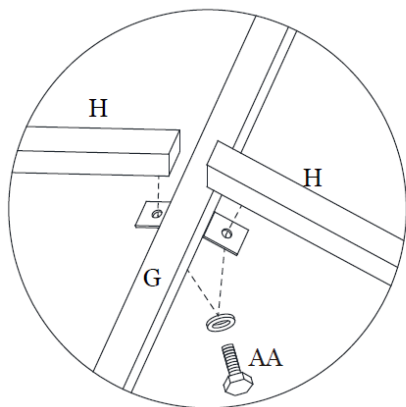
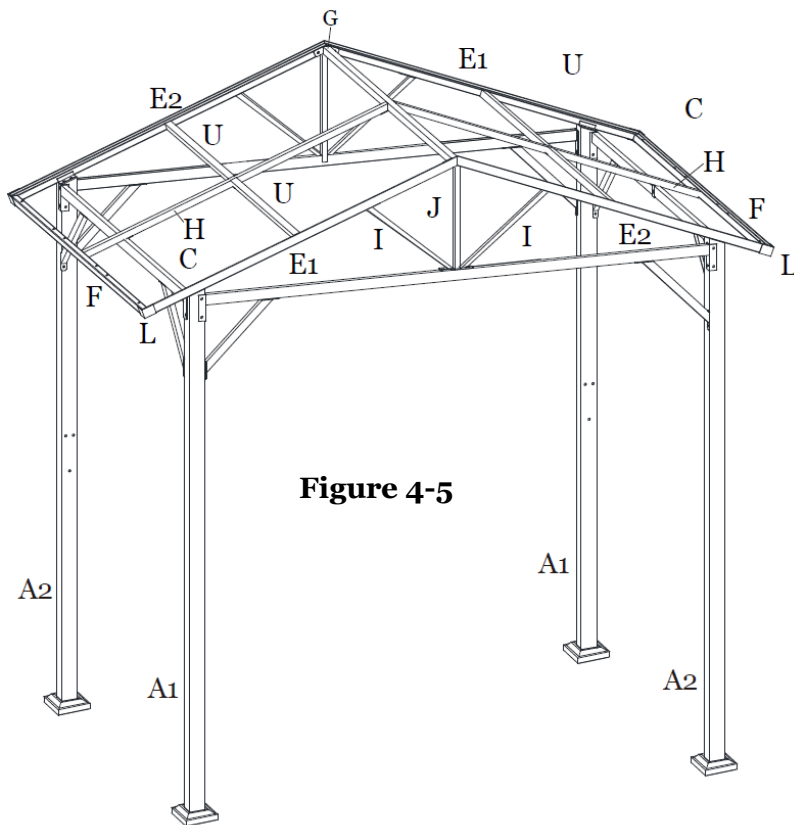
**Step 4A:** Attach the Middle Roof Frame (H) to the Roof Top Beam (G) and the Roof Beam (C) with Bolts (AA). Repeat for opposite side. See Figure 4-1A and Figure 4-1B.

**Step 4B:** Attach the Roof Frame Connector Plate (K) to the Middle Roof Frame (H) with Bolts (AA). Repeat for opposite side. See Figure 4-2.

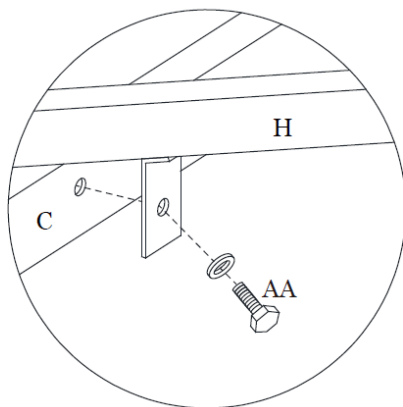
**Step 4C:** Attach the Horizontal Roof Frame (U) to the Long Roof Frames (E1/E2) and the Roof Frame Connector Plate (K) with Bolts (AA). Repeat for opposite side. See Figure 4-3A and Figure 4-3B.

**Step 4D:** Attach the Roof Corner Connector Plate (L) to the Long Roof Frames (E1/E2) and the Roof Frame-Short Side (F) with Bolts (AA). Repeat for all Corners. See Figure 4-4.

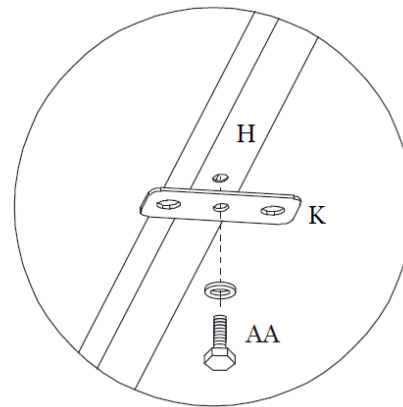
**Step 4E:** Tighten All Bolts. See Figure 4-5.



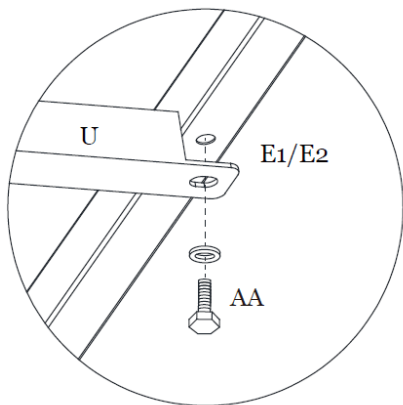
**Figure 4-1A**



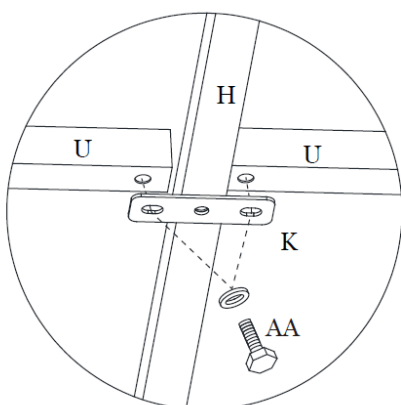
**Figure 4-1B**



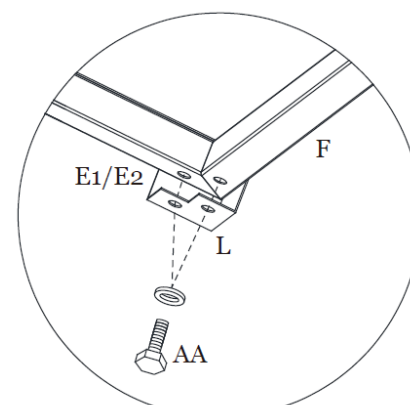
**Figure 4-2**



**Figure 4-3A**



**Figure 4-3B**



**Figure 4-4**



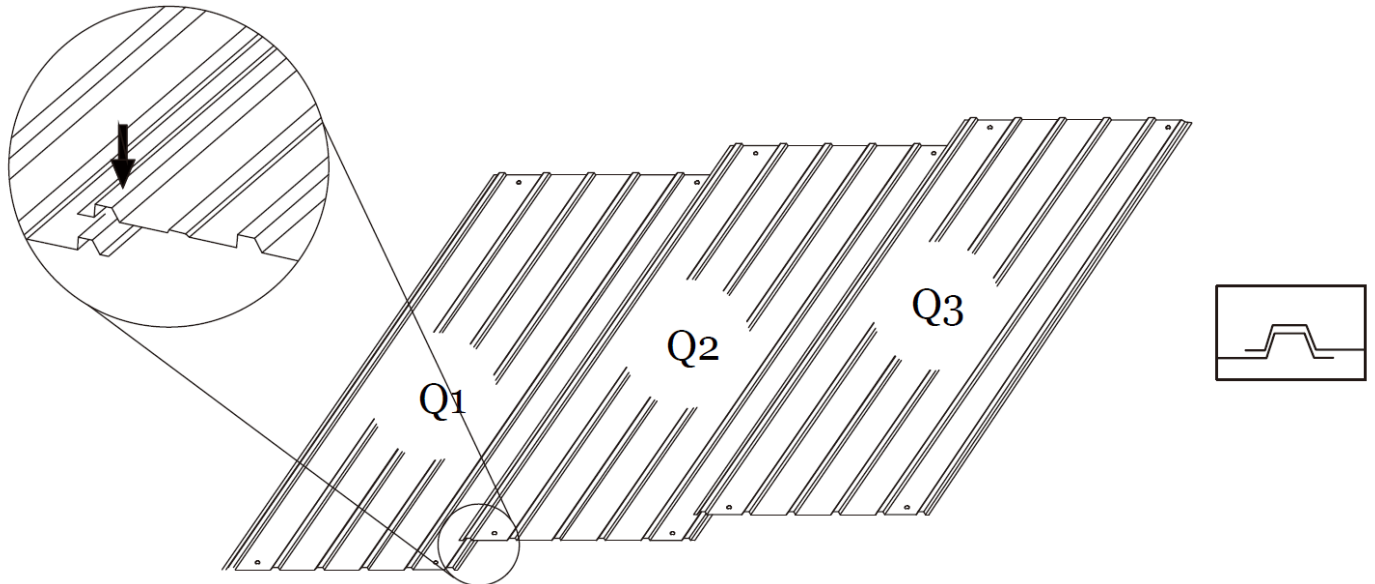
**Step 5A:** Install the Roof Panels (Q1, Q2 and Q3) from left to right. The right panel must overlap the left panel. See Figure 5-1.

**Step 5B:** Secure the Roof Panels (Q1, Q2 and Q3) with the Roof Panel Connector Plates (P) to the Roof Frame-Short Side (F) with Bolts (AA). Repeat for opposite side. See Figure 5-2.

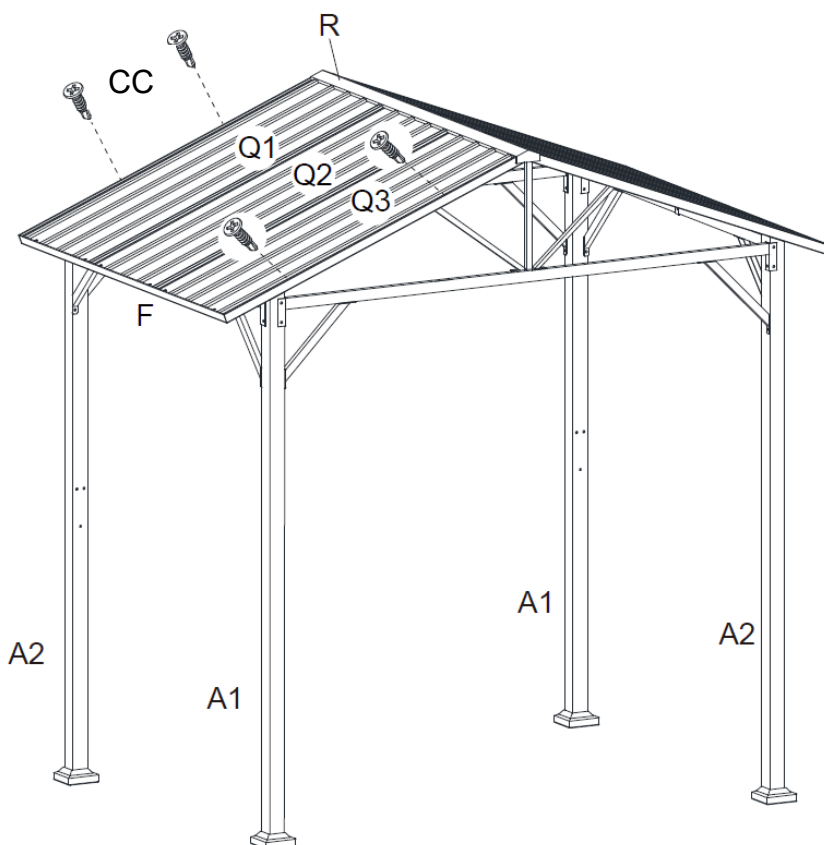
**Step 5C:** Install the Roof Top Trim (R) to the Roof Top Beam (G) with Bolts (BB). See Figure 5-3.

**Step 5D:** Secure the Roof Panels (Q1 and Q3) to the Roof Frames (E1/E2) with Screws (CC). Repeat for opposite side. See Figure 5-4.

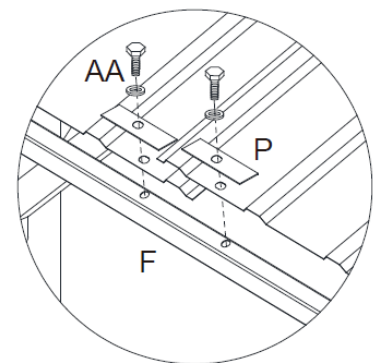
**Step 5E:** Tighten all bolts.



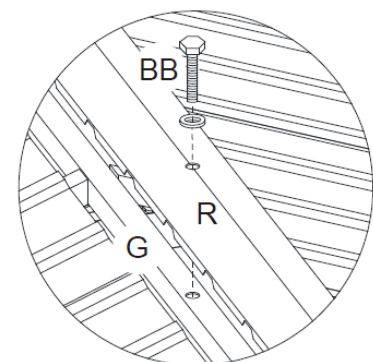
**Figure 5-1**



**Figure 5-4**



**Figure 5-2**



**Figure 5-3**

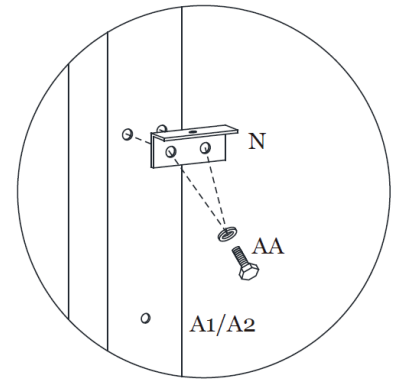
**Step 6A:** Attach the Bar Shelf Connector Plate (N) to the Corner Post (A1/A2) with Bolts (AA). Repeat for opposite side. See Figure 6-1.

**Step 6B:** Attach the Bar Shelf (M) to the Bar Shelf Connector Plate (N) with Bolts (AA). Repeat for opposite side. See Figure 6-2.

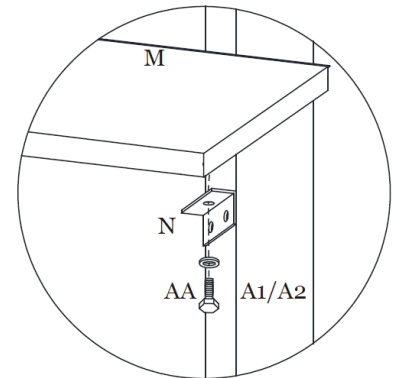
**Step 6C:** Attach the Bar Shelf Connector Plate (O) to the Corner Post (A1/A2) and the Bar Shelf (M) with Bolts (AA). Repeat for opposite side. See Figure 6-3A and Figure 6-3B.

**Step 6D:** Tighten all Bolts.

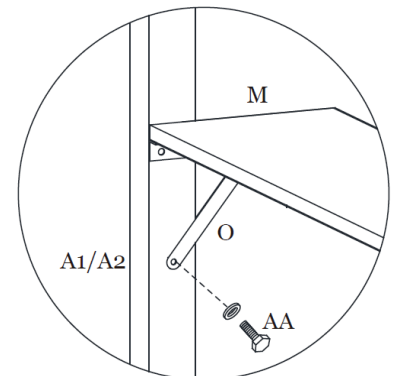
**Step 6E:** Secure the gazebo with the Ground Stakes (DD). See Figure 6-4.



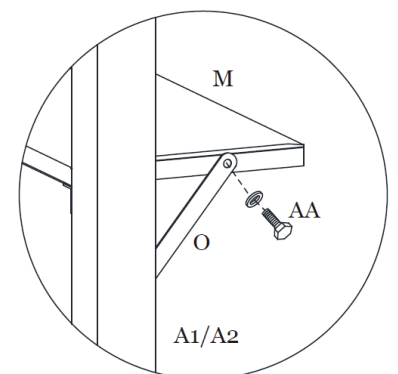
**Figure 6-1**



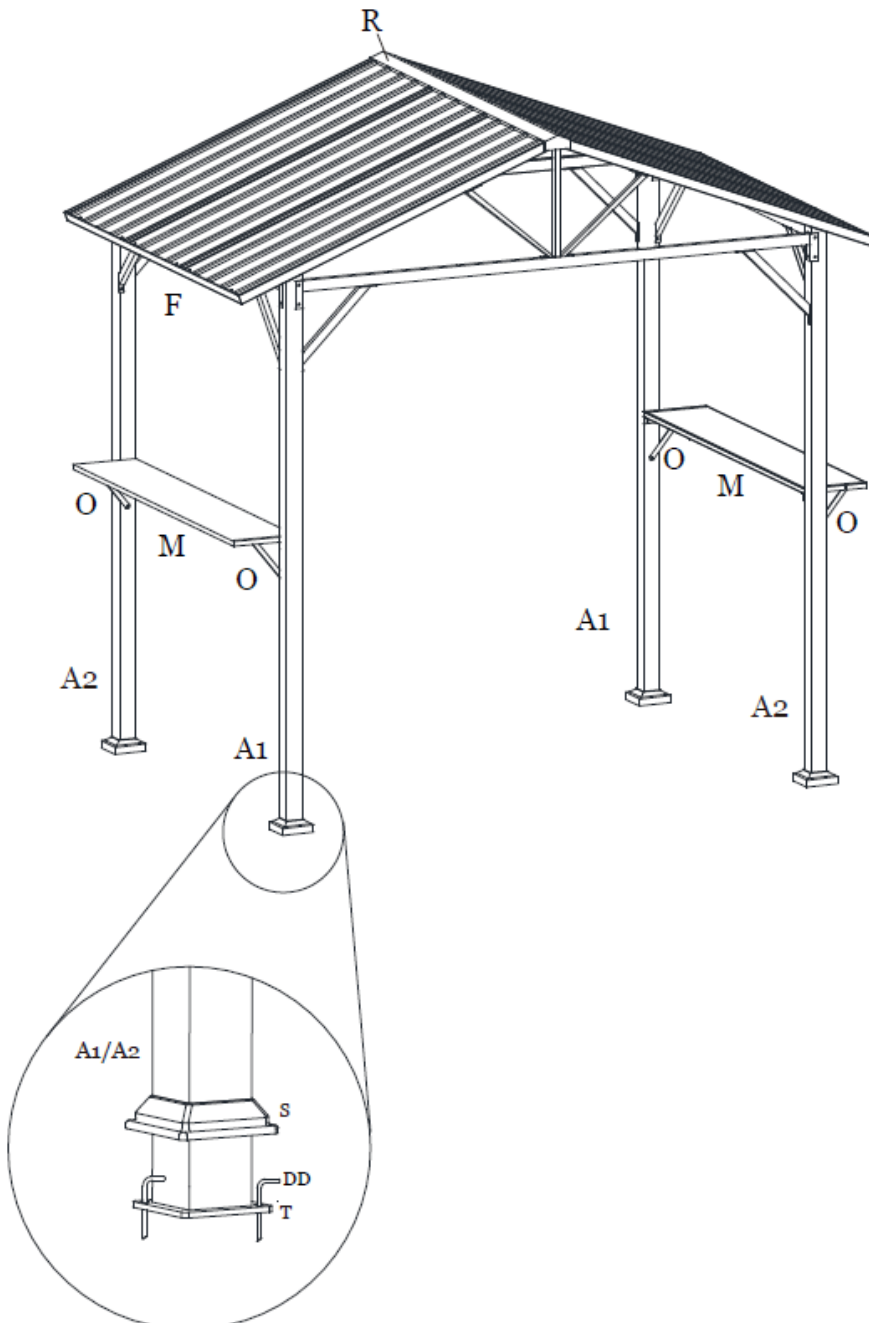
**Figure 6-2**



**Figure 6-3A**



**Figure 6-3B**



**Figure 6-4**

**Note: Please see our video for additional assembly assistance:**

<https://shadenshelters.com/8-x-5-grill-gazebo>