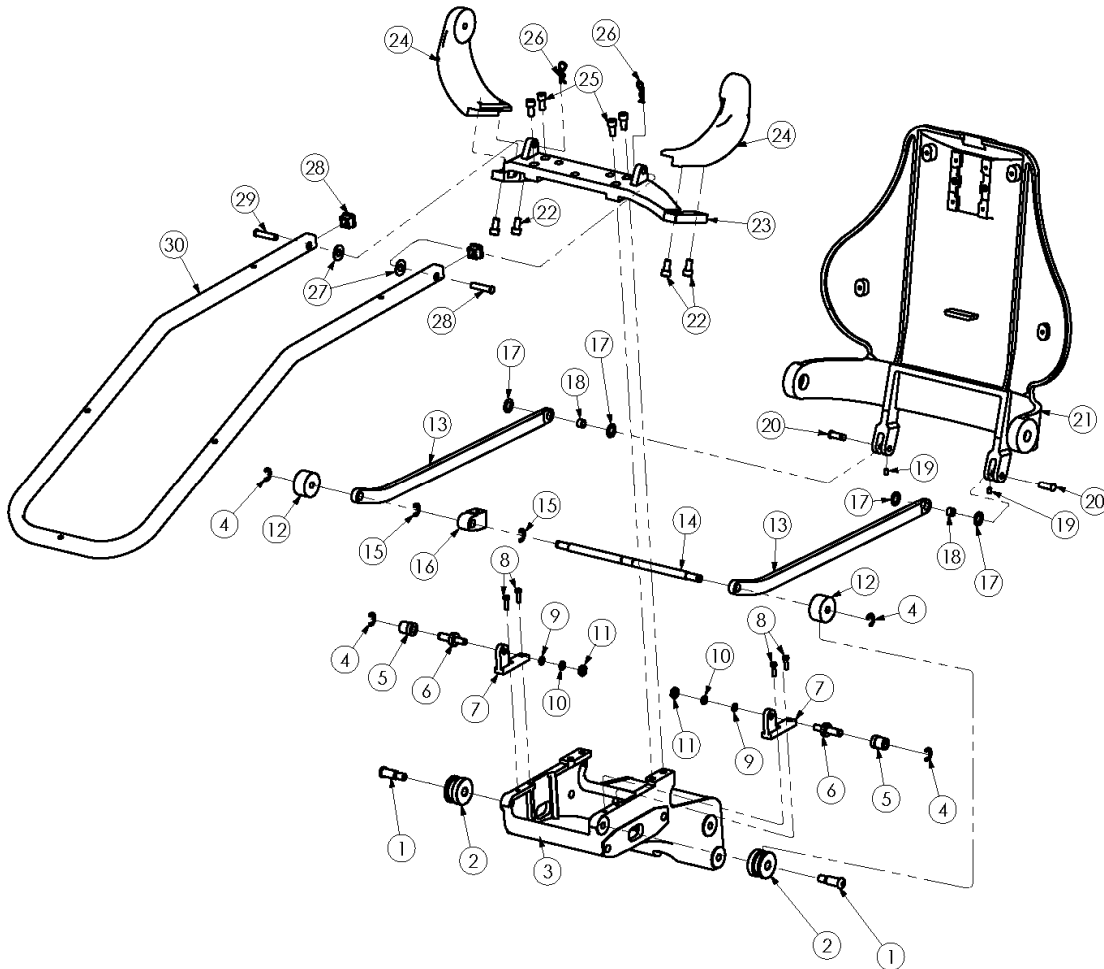


Item	Description	Page	Item	Description	Page
1	Base Components.....	2	5	Hoses and Fittings Components.....	6
2	Seat Components.....	3	6	Electrical Components.....	7
3	Back And Arm Components.....	4	7	Covers Components.....	8
4	Hydraulic Components.....	5	8	Cushion Components.....	9

Seat Components

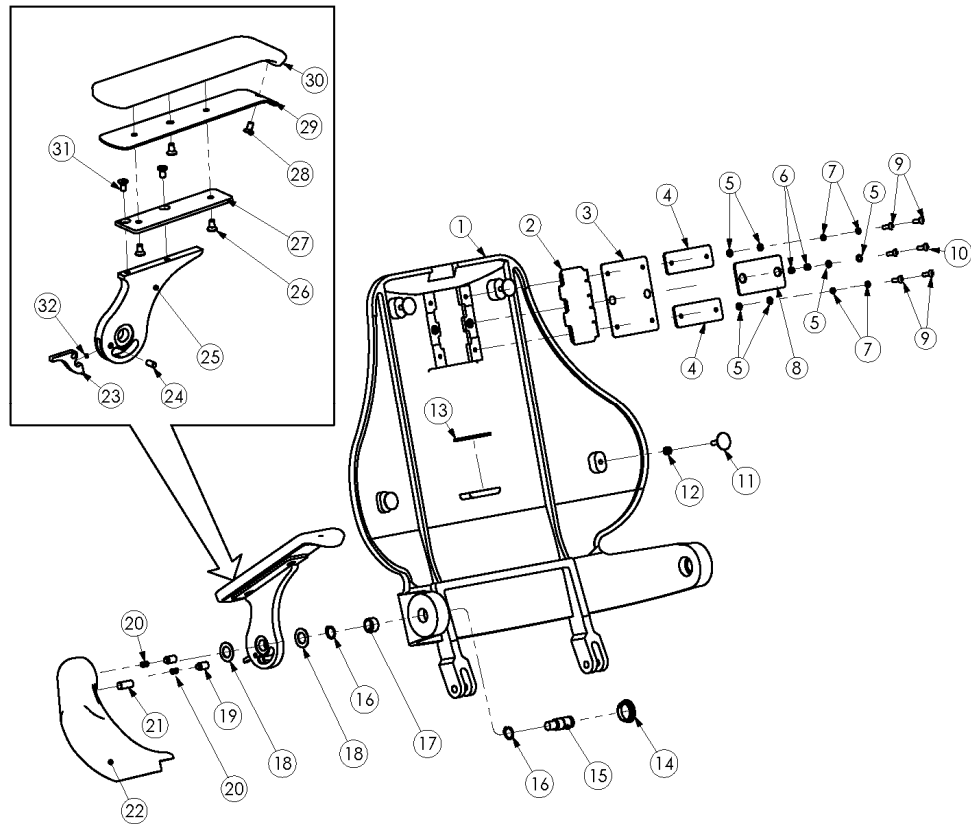
PARTS LIST



Item	Part No.	Description	Qty	Item	Part No.	Description	Qty
1	112906	Screw	2	16	113325	Cylinder Yoke Block	1
2	113323	Wheel Half	2	17	11007	Spacer	4
3	112104	Platform Casting	1	18	112804	Bushing	2
4	1230200	E-Ring	4	19	0060507	Screw	2
5	113328	Impaction Roller	2	20	113104	Clevis Pin	2
6	113329	Roller Shaft	2	21	112202	Back Casting	1
7	112305	Roller Bracket	2	22	0010803	Screw	4
8	0010703	Screw	4	23	112105	Yoke Casting	1
9	1180900	Washer	2	24	112203	Armrest Support Casting	2
10	1220800	Lock Washer	2	25	0010804	Screw	4
11	1121000	Nut	2	26	1270100	Hairpin Cotter	2
12	113321	Seat Roller	2	27	11005	Spacer	4
13	113322	Lift Bar	2	28	123602	Seat Frame Hole Plug	2
14	113320	Roller Shaft	1	29	123102	Clevis Pin	2
15	1230300	E-Ring	2	30	113324	Seat Frame	1

Back And Arm Components

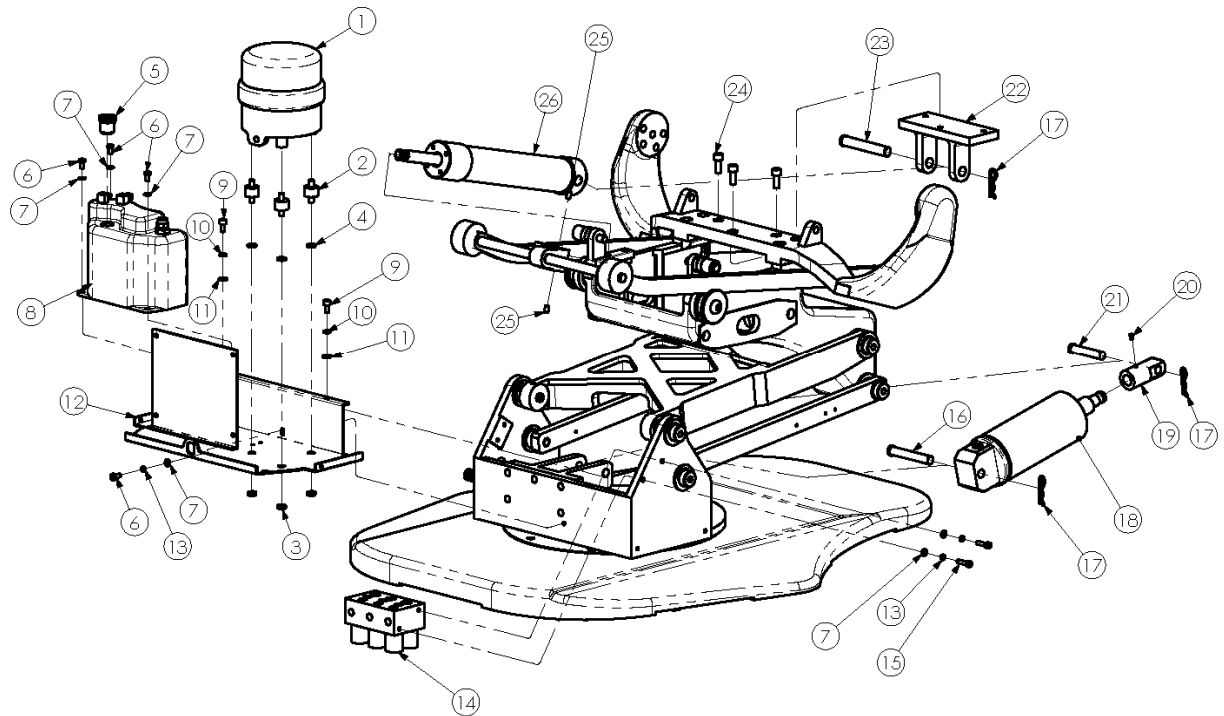
PARTS LIST



Item	Part No.	Description	Qty	Item	Part No.	Description	Qty
1	112202	Back Casting	1	17	112805	Bushing	2
2	123336	Floating Tang Guide Spacer	1	18	11001	Spacer	4
3	123334	Tang Bearing	1	19	113333	Spring Block	2
4	122610	Tang Guide Plate	2	20	113001	Spring	2
5	1180600	Washer	6	21	113336	Pin	2
6	123002	Spring	2	22	112203	Armrest Support Casting	2
7	1220500	Lock Washer	4	23	113335	Button	2
8	112705	Guide Plate Weldment	1	24	113336	Pin	2
9	0050706	Screw	4	25	113334	Armrest	2
10	0050707	Screw	2	26	0030406	Screw	4
11	112705	Elevator Bolt	4	27	123349	Arm Rest Support	2
12	1120800	Nut	4	28	0030305	Screw	4
13	123333	Spacer	1	29	122608	Armrest Plate	2
14	123330	Hole Plug	2	30	123203	Armrest Cushion	2
15	112907	Shoulder Screw	2	31	0030404	Screw	4
16	1240500	Axis Ring	4	32	113002	Spring	2

Hydraulic Components

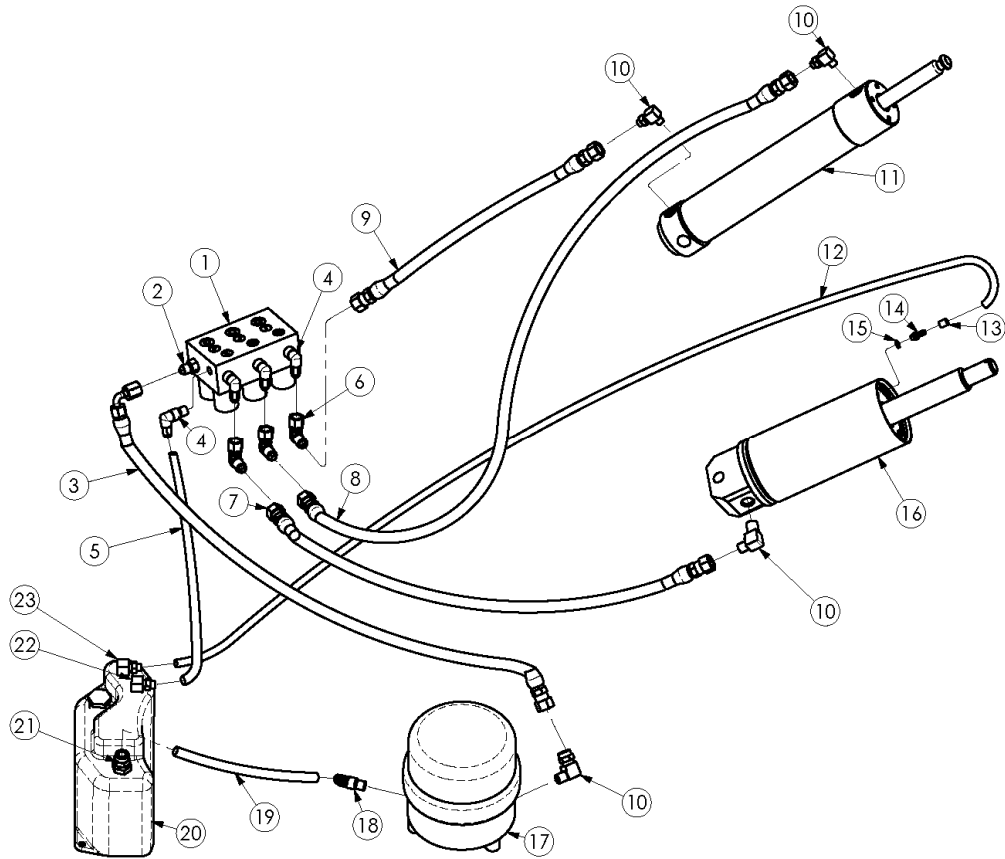
PARTS LIST



Item	Part No.	Description	Qty	Item	Part	Description	Qty
1	14001	Hydraulic Pump-110V.....	1	14	13003	Valve Block-110V.....	1
	14002	Hydraulic Pump-220V.....	1		13004	Valve Block-220V.....	1
2	•	• Spacer.....	3	15	0010606	Screw.....	2
3	•	• Nut.....	3	16	113101	Clevis Pin.....	1
4	1220700	Lock Washer.....	3	17	1270100	Hairpin Cotter.....	3
5	123304	Plug.....	1	18	080200	Lift Cylinder.....	1
6	0050703	Screw.....	4	19	113318	Pin Housing.....	1
7	1180600	Washer.....	6	20	0060703	Screw.....	1
8	122501	Hydraulic Reservoir.....	1	21	113102	Clevis Pin	1
9	0010702	Screw.....	2	22	112304	Back Cylinder Bracket.....	1
10	1220600	Lock Washer.....	2	23	113103	Clevis Pin	1
11	1180700	Washer.....	2	24	0010804	Screw.....	3
12	112701	Hydraulic Chassis.....	1	25	0060705	Screw.....	2
13	1220500	Lock Washer.....	3	26	080400	Back Cylinder.....	1

Hoses and Fittings Components

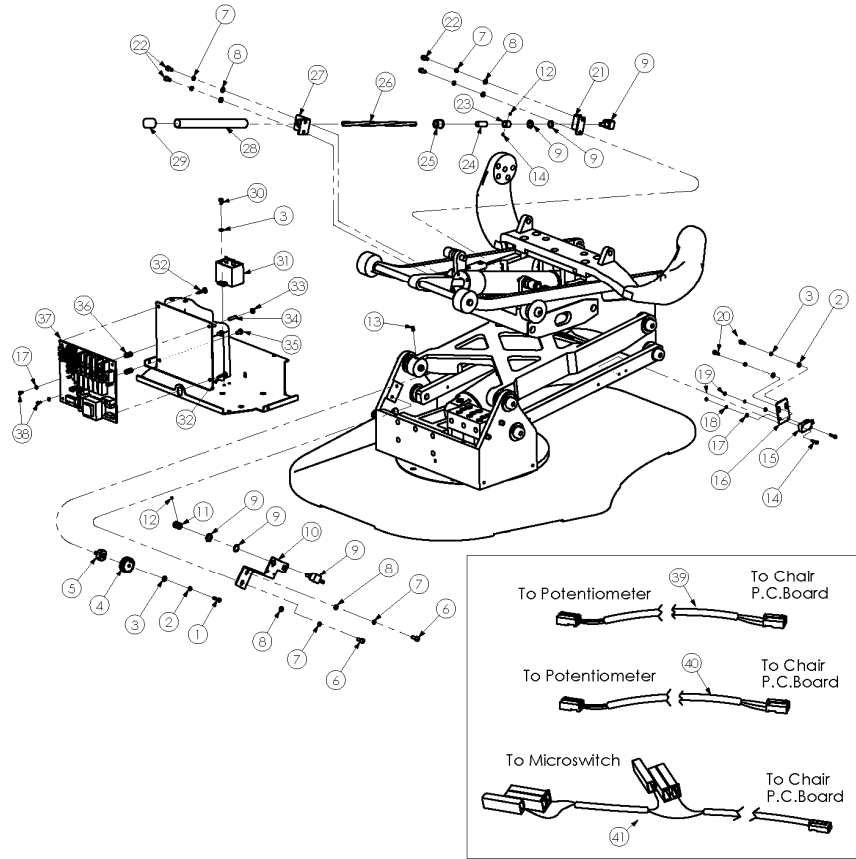
PARTS LIST



Item	Part No.	Description	Qty	Item	Part	Description	Qty
1	13003	Valve Block Assy-110V	1	13	010111	Tubing Fasten Set	1
	13004	Valve Block Assy-220V	1	14	010110	Barb Fitting	1
2	021003	Adapter	1	15	16003	Gasket Sealing	1
3	031001	Pump Hose	1	16	080200	Lift Cylinder	1
4	021010	Elbow Fitting	4	17	14001	Hydraulic Pump-110V	1
5	032001	Tubing	1		14002	Hydraulic Pump-220V	1
6	021011	Elbow Fitting	3	18	021005	Elbow Fitting	1
7	031002	lift Cylinder Hose	1	19	032002	Tubing	1
8	031004	Back Cylinder Hose (Up)	1	20	122501	Hydraulic Reservoir	1
9	031003	Back Cylinder Hose (Down)	1	21	021004	Elbow Fitting	1
10	021009	Elbow Fitting	4	22	021002	Elbow Fitting	1
11	080400	Back Cylinder	1	23	021001	Elbow Fitting	1
12	032003	Leak Line Hose	1				

Electrical Components

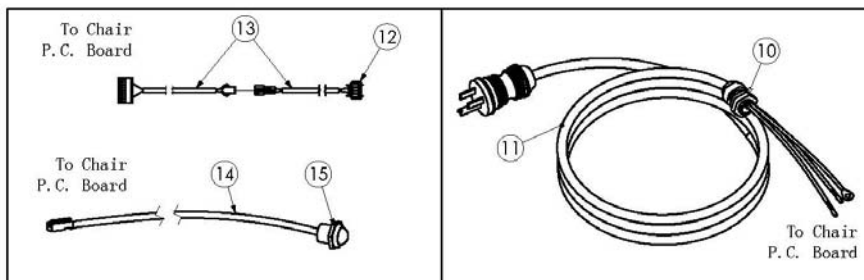
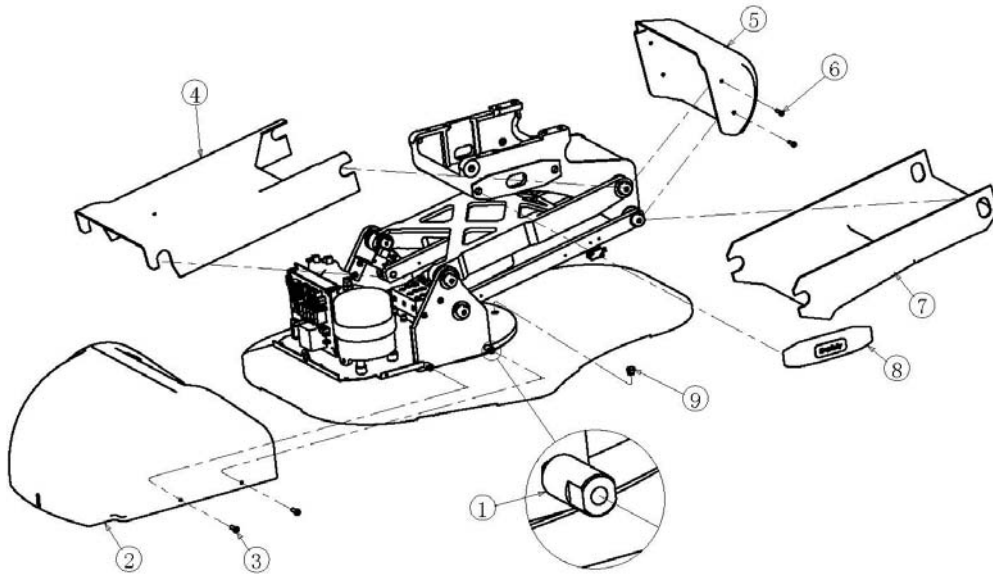
PARTS LIST



Item	Part No.	Description	Qty	Item	Part	Description	Qty
1	0050604	Screw	1	23	123332	Sensor Shaft Fasten Set	1
2	1220400	Lock Washer	5	24	034001	Coupler	1
3	1180500	Washer	6	25	113327	Yoke Block	1
4	112505	Drive Gear	1	26	113326	Sensor Shaft	1
5	123355	Drive Gear Stud	1	27	112605	Sensor Shaft Bracket	1
6	0010603	Screw	2	28	113326	Sensor Shaft Setting	1
7	1220500	Lock Washer	6	29	113330	Sensor Shaft Plug	1
8	1180600	Washer	6	30	0050603	Screw	1
9	18001	Potentiometer	2	31	17001	Capacitor-110V	1
10	112606	Lower Sensor Bracket	1		17002	Capacitor-220V	2
11	1225506	Pinion	1	32	21001	Support	2
12	0060404	Screw	3	33	1120700	Nut	2
13	0060607	Screw	1	34	0060610	Screw	1
14	0050408	Screw	4	35	0020301	Screw	1
15	19001	Microswitch	2	36	123354	Support	2
16	112603	Microswitch Bracket	2	37	12003	PC Board-110V	1
17	1180400	Washer	6		12004	PC Board-220V	1
18	1220300	Lock Washer	4	38	0050404	Screw	2
19	1120400	Nut	4	39	059012	Lift wire Harness	1
20	0010503	Screw	4	40	059013	Back wire Harness	1
21	112604	Back Sensor Bracket	1	41	059011	wire Harness	1
22	0010601	Screw	4				

Covers Components

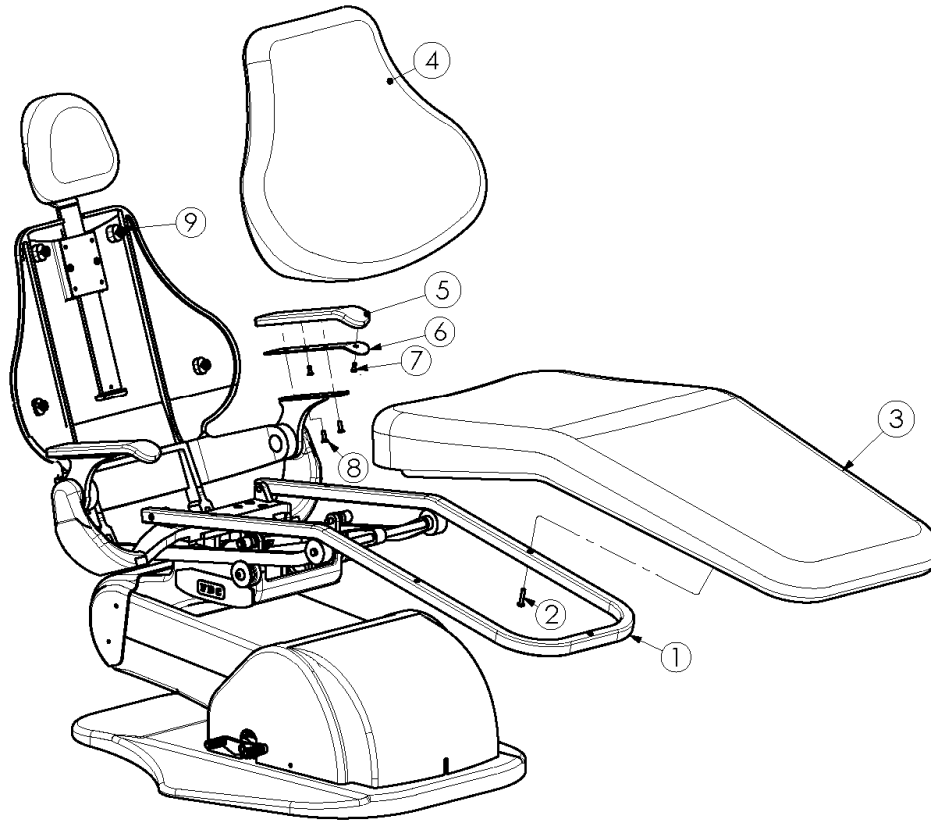
PARTS LIST



Item	Part No.	Description	Qty	Item	Part	Description	Qty
1	113307	Cover Pin.....	4	9	113306	Plug Hole.....	1
2	112401	Hydraulic Cover.....	1	10	20001-1	Power Cord Bushing.....	1
3	0020301	Screw.....	4	11	059004	Power cord-110V.....	1
4	112402	Lift Arm Cover.....	1		059005	Power cord-220V.....	1
5	112404	End Cover.....	1	12	23001	Switch.....	1
6	0020307	Screw.....	4	13	059011	Wire Harness.....	1
7	112403	Safety Bail Cover.....	1	14	059003	Wire Harness.....	1
8	113401	Platform Casting Cover.....	2	15	22001	Indicator Light.....	1

Cushion Components

PARTS LIST



Item	Part No.	Description	Qty	Item	Part No.	Description	Qty
1	113324	Seat Frame.....	1	5	123203	Arm Cushion.....	2
2	0080101	Screw.....	6	5.1	123503	Armrest Sponge.....	2
3	113201	Seat Cushion.....	1	5.2	123348	Armrest Board.....	2
3.1	112405	Seat Board.....	1	5.3	1170100	Nut.....	4
3.2	113501	Seat Sponge.....	1	5.4	1170200	Nut.....	4
3.3	1160300	Screw.....	2	6	122608	Armrest Plate.....	2
4	113202	Back Cushion.....	1	7	0030305	Screw.....	4
4.1	112406	Back Board.....	1	8	0030406	Screw.....	4
4.2	113502	Back Sponge.....	1	9	122704	Elevator Bolt.....	4