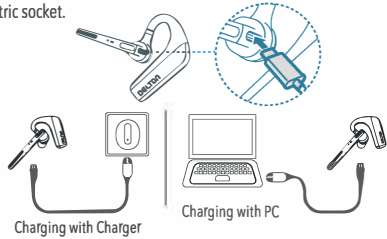


LED INDICATOR

Mode	Delton 90X
Power On	LED Green flashes 1 second
Power Off	LED Red flashes 1 second
Pairing Mode	LED Red & Green flashes alternately
Connection Success	LED Red & Green off
Low Battery	Red LED flash
Charging	Solid LED Red
Full Charged	Solid LED Green

CHARGING

Connect the headset to a computer or the USB power adapter (not included) via the USB cable. Plug the USB power adapter into an electric socket.



Your new headset has enough power to pair and make a few calls before charging, though you may charge at any time.

SAFETY INSTRUCTION

- Do not place headset near naked flames sources. Such as candle or oven.
- Do not expose the product to direct sunlight.
- Press function bottom gently; Press too hard might shorten the lifetime of function.
- Do not drop the product on hard surface. This may result in damage of the product.
- Do not place headset near TV, speaker or other objects that generate strong magnetic fields.
- When headset is affected by a strong magnetic field or by other interference simply turn off to reset headset to resume normal operation.

WARRANTY

Delton warrants this product against defects in material and/or workmanship under normal use. To view our warranty policy or to submit a claim, please visit overtimebrands.com/pages/warranty-information

LEGAL WARRANTY

The period of guarantee and any other conditions relating to it, is governed by the legislation of the country where the product was purchased.

1 YEAR WARRANTY Register your product at overtimebrands.com



USER MANUAL 90X WIRELESS HEADSET

THANK YOU FOR PURCHASING THE DELTON 90X WIRELESS HEADSET

Please take a moment to read this user manual thoroughly, and keep it for future reference. This manual explains the features and functions of this product.

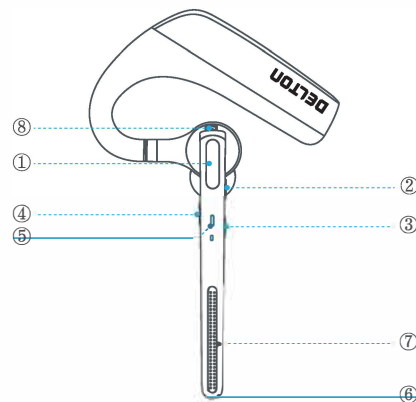
SPECIFICATIONS

Play Time:	Up to 110 Hours
Talk Time:	Up to 100 Hours
Charging Time:	Up to 4 Hours
Stand-by Time:	Up to 90 Days
Battery:	500mAh
Impedance:	32 ohms
Operation Temperature:	-10~50°C
Operation Range:	30 Ft
Charging Interface:	Type-C
Net Weight:	17g

WHAT'S IN THE BOX?

- Wireless Headset
- Type-C Charging Cable
- Eartips x 6 (Includes one on headset)
- User Manual

PRODUCT DIAGRAM



- | | |
|-------------------------------|---------------------|
| ① MFB (Multi Function Button) | ⑤ LED Indicator |
| ② Volume+ | ⑥ Main Microphone |
| ③ Volume- | ⑦ Second Microphone |
| ④ Mute Button | ⑧ Charger Port |

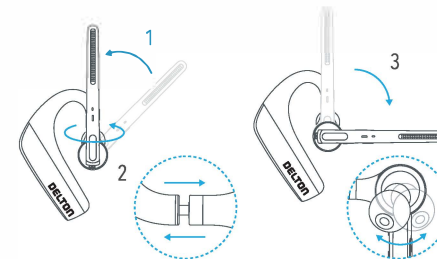
PAIRING AND CONNECTION

In off status, press MFB to power on and automatically enter into pairing mode with LED Green & Red flash alternately.

- Connect for the first time, search and click to connect "DELTON 90X" on lists, LED off after connected success.
- When there is a pairing record, press MFB to power on and enter into the auto-connect state.

WEAR ON THE LEFT OR RIGHT

To wear the headset on your other ear, rotate the boom upwards then twist it around so the eartip is on the other side before lowering the boom. Rotate the eartip and adjust the retractable earhook to fit the shape of your ear.



GENERAL FUNCTIONS

Button	Function	Operation
MFB	Power On	In off status, press MFB to power on.
	Power Off	In on status, long press 5 seconds to power off.
	Enter into Pairing Mode	In off status, automatic enter into pairing mode.
	Connection	Connect for the first time, search and click to connect "Delton 90X" on lists. When there is a pairing record, power on and enter into the auto-connect state.
	Answer a Call	Short press (when call coming)
	Hang up a Call	Short press (during a call)
Volume +	Reject a Call	Long press 1 sec (when call coming)
	Play / Pause	Short press (when play music)
	Siri	Double press to activate Siri
Volume -	Volume Up	Short press
	Next Track	Long press for 1 seconds
Volume -	Volume Down	Short press
	Previous Track	Long press for 1 seconds
Mute	Mute/Unmute	Short Press