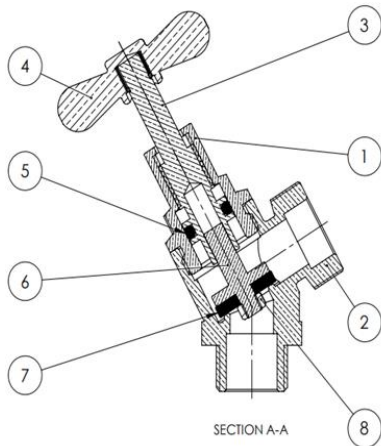


Technical Specification Brass Hose Tap Male

1. Material : DR Brass CW602N
2. Thread: Complied To ISO228
3. Working Temperature: -20°C to 110°C
4. Working Pressure: 1.6Mpa
5. Working Medium: Water



No.	Component	Material
1	THM15 Body	CW602N
2	THM15 Body	CW602N
3	THM15 Spindle	CW602N
4	THM15 Handle	CW602N
5	O-Ring	NBR
6	HTM15 Seat	CW602N
7	Rubber Washer	NBR
8	M5x0.5 Nut	Brass