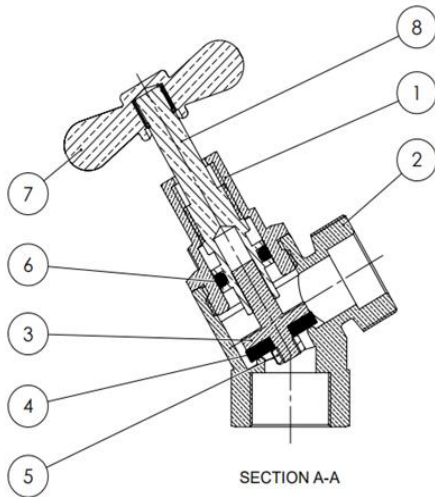


Technical Specification Brass Hose Tap Female

1. Material : DR Brass CW602N
2. Thread: Complied To ISO228
3. Working Temperature: -20°C to 110°C
4. Working Pressure: 1.6Mpa
5. Working Medium: Water



No.	Component	Material
1	THF15 Body	CW602N
2	THF15 Body	CW602N
3	THF15 Seat	CW602N
4	Rubber Washer	NBR
5	M5x0.5 Nut	Brass
6	O-Ring	NBR
7	THF15 Handle	CW602N
8	THF15 Spindle	CW602N