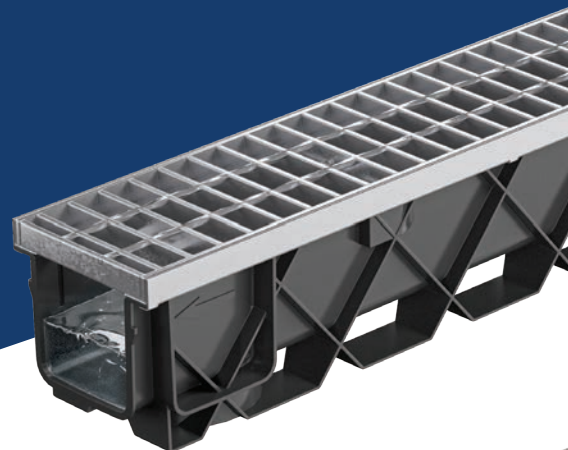


RELN



Series **100**



Series **150**

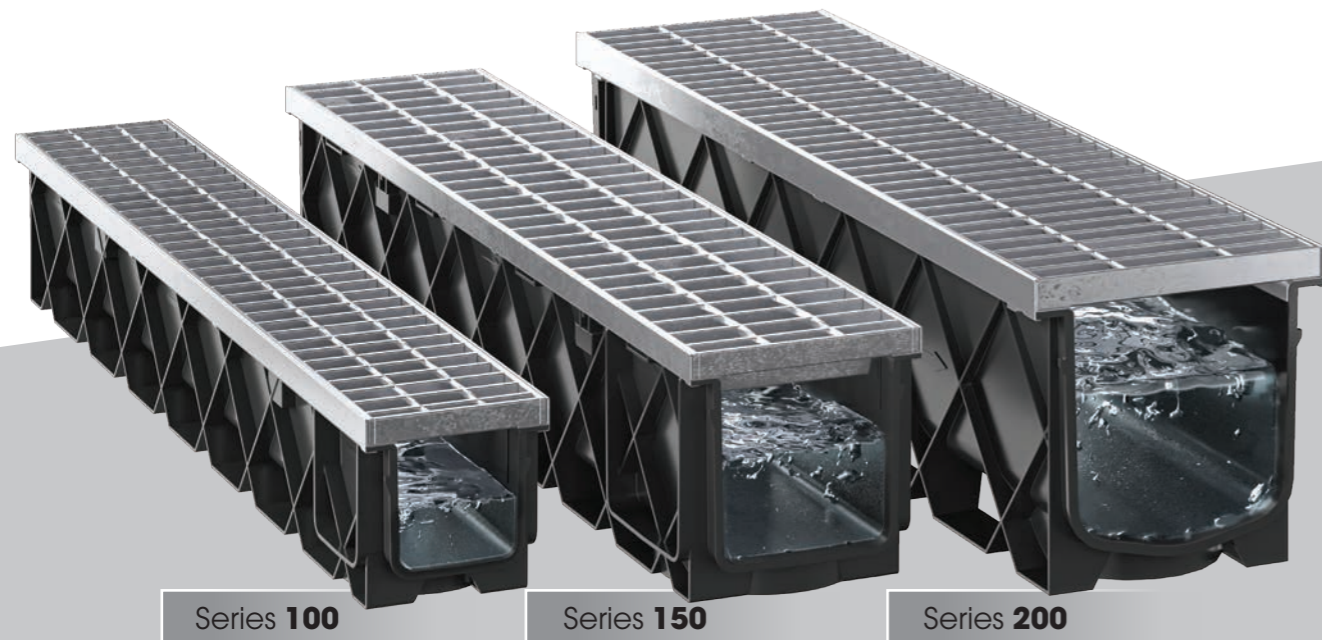


Series **200**





Moving water is what we do, better.



Series 100

Series 150

Series 200

Designed for professionals needing a reliable, easy to install surface water solution

RELN Storm Drain Pro™ Series is our newest addition to our surface water drainage range, perfect for large domestic and light commercial applications. With a selection of large profiles, Storm Drain Pro™ effectively collects and distributes substantial volumes of surface water. The Series 100 and Series 150 channels innovative design features an integral side flange to create corners and intersections, removing the need to source additional fittings.

BENEFITS OF STORM DRAIN PRO™

Trade Range – Higher specified range designed to withstand larger load ratings

Durability – Made in Australia from tough, durable, and lightweight UV stabilised recycled plastic

Easy to install – Storm Drain Pro™ is a breeze to install with its easy connecting channels, interchangeable clip-in grates and hold down feet to stop floatation during the pouring of concrete

Galvanised steel edges – Rated to light commercial traffic

Complies to Australian Standard AS3996 Class B and Class C Load Rating – Storm Drain Pro™ is available in two grate options that comply with the AS3996 Class B & Class C Load Ratings



Galvanised steel Class B rated grates

Anti tamper locking bars*

Galvanised steel edge rails light commercial rated

Lightweight durable UV stabilised recycled plastic

Integral side flange to create corners and intersections. No need for additional fittings*

*Series 100 - 150 only

Large profiles



PRODUCT WARRANTY



100% UV STABILISED RECYCLED PLASTIC



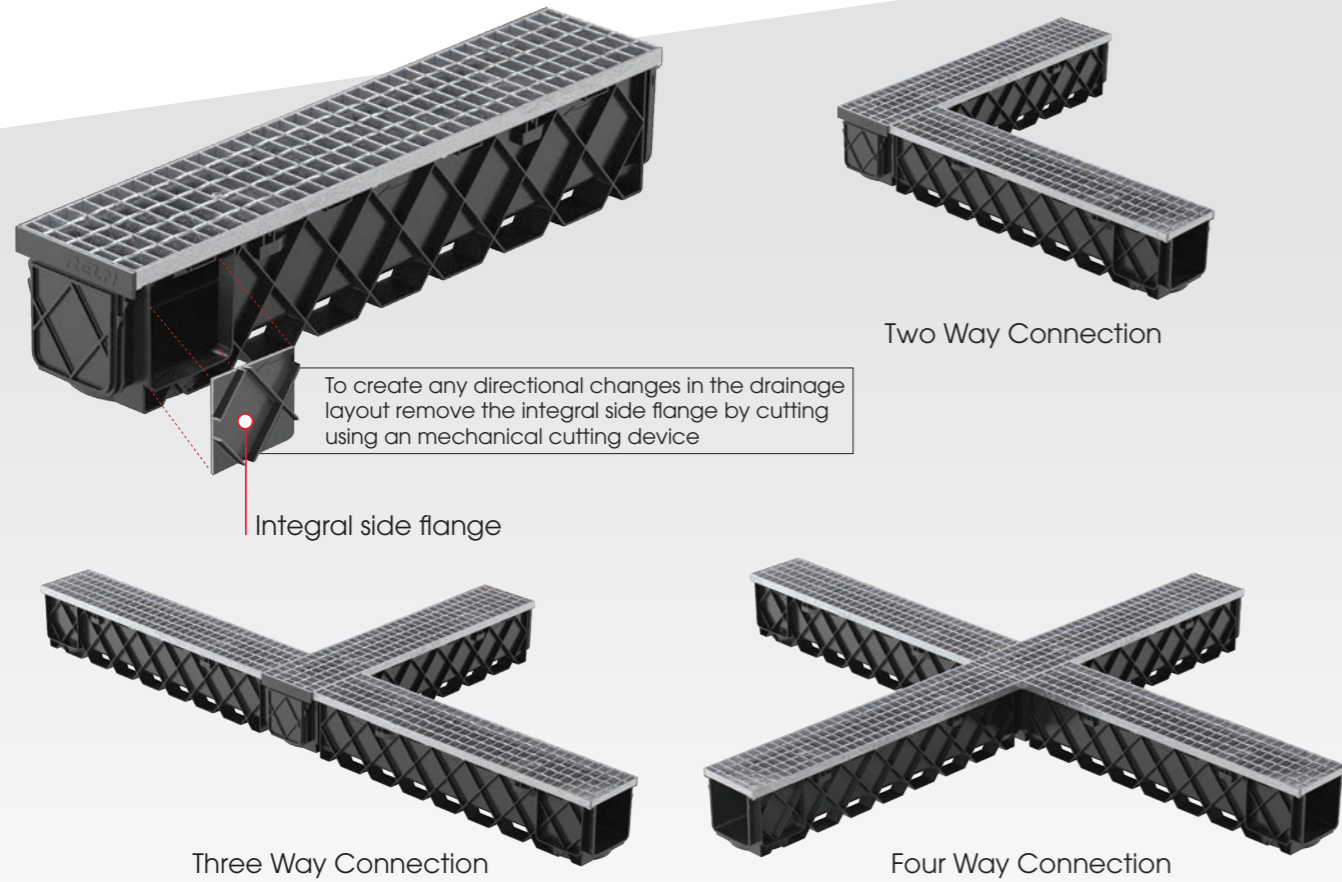
RELN



Innovative design with trade professionals in mind

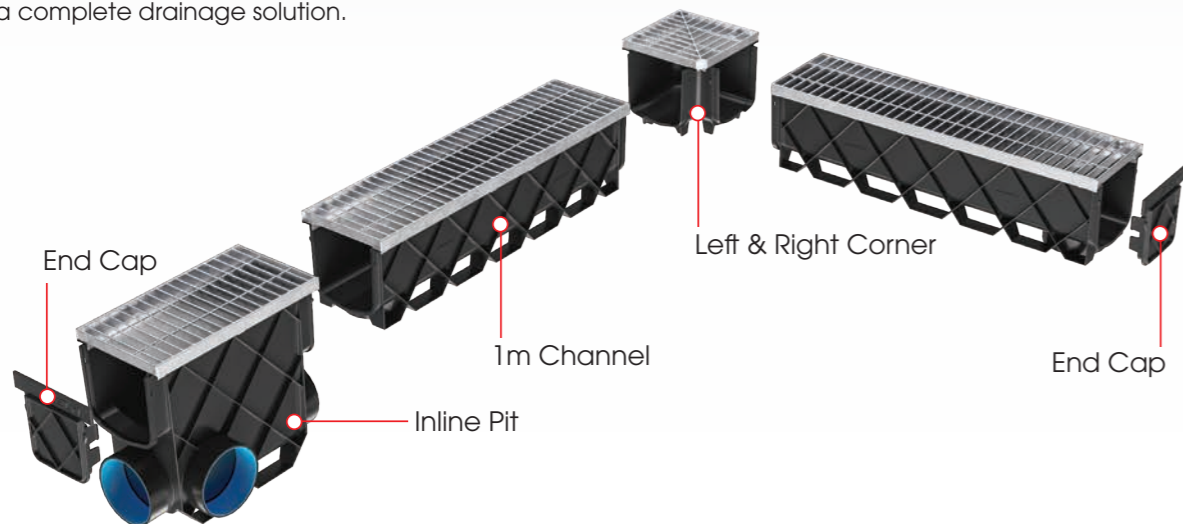
Storm Drain Pro™ Series 100 - 150

The Storm Drain Pro™ Series 100 and Series 150 integral side flange allows easy change of direction into a two way, three way and four way connection.

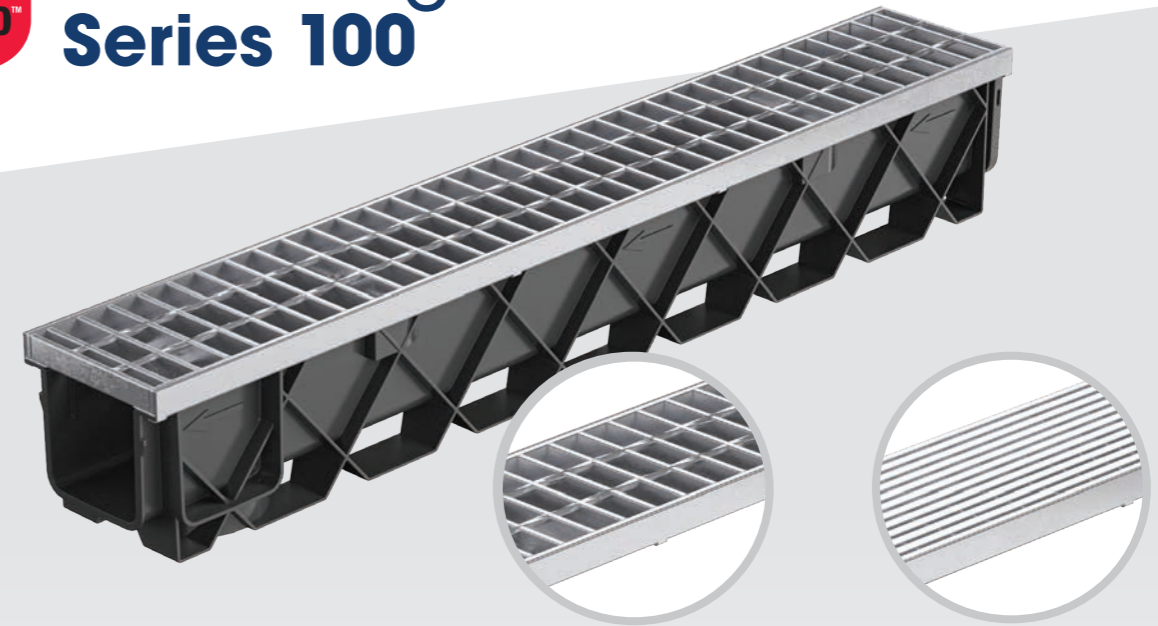


Storm Drain Pro™ Series 200

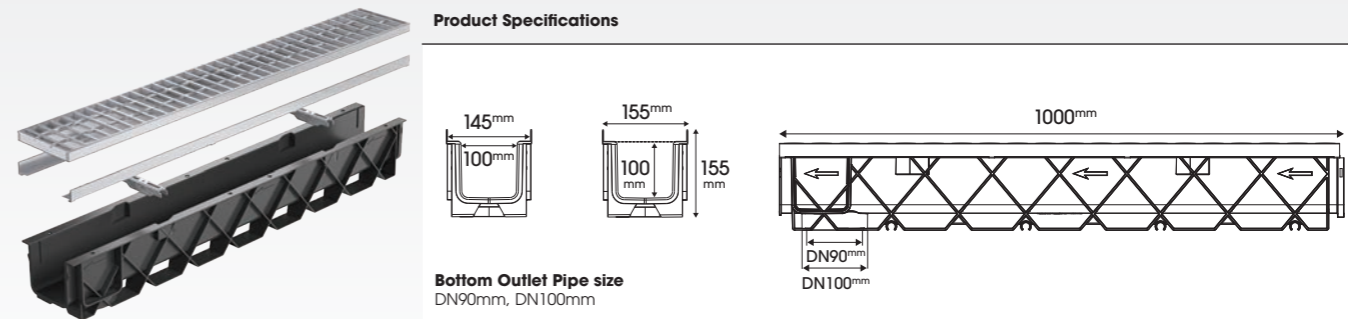
The Storm Drain Pro™ Series 200 features a corner to allow for change of direction, as well as an inline pit for a complete drainage solution.



Trade Range Series 100



RELN Storm Drain Pro™ Series 100 is perfect for large domestic and light commercial applications. With its large 100mm profile, Storm Drain Pro™ effectively collects and distributes substantial volumes of surface water throughout its system. The channels innovative design features an integral side flange to create corners and intersections, removing the need to source additional fittings.



Series 100 1m Channel c/w Gal Class B Grate
Product Code: 210041
Series 100 1m Channel c/w H/Guard Class B Grate
Product Code: 210043

5 YEAR CHANNEL WARRANTY

1 YEAR GRATE WARRANTY

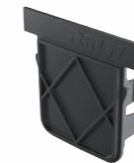
PRODUCT WARRANTY

100% UV STABILISED RECYCLED PLASTIC

Product Accessories



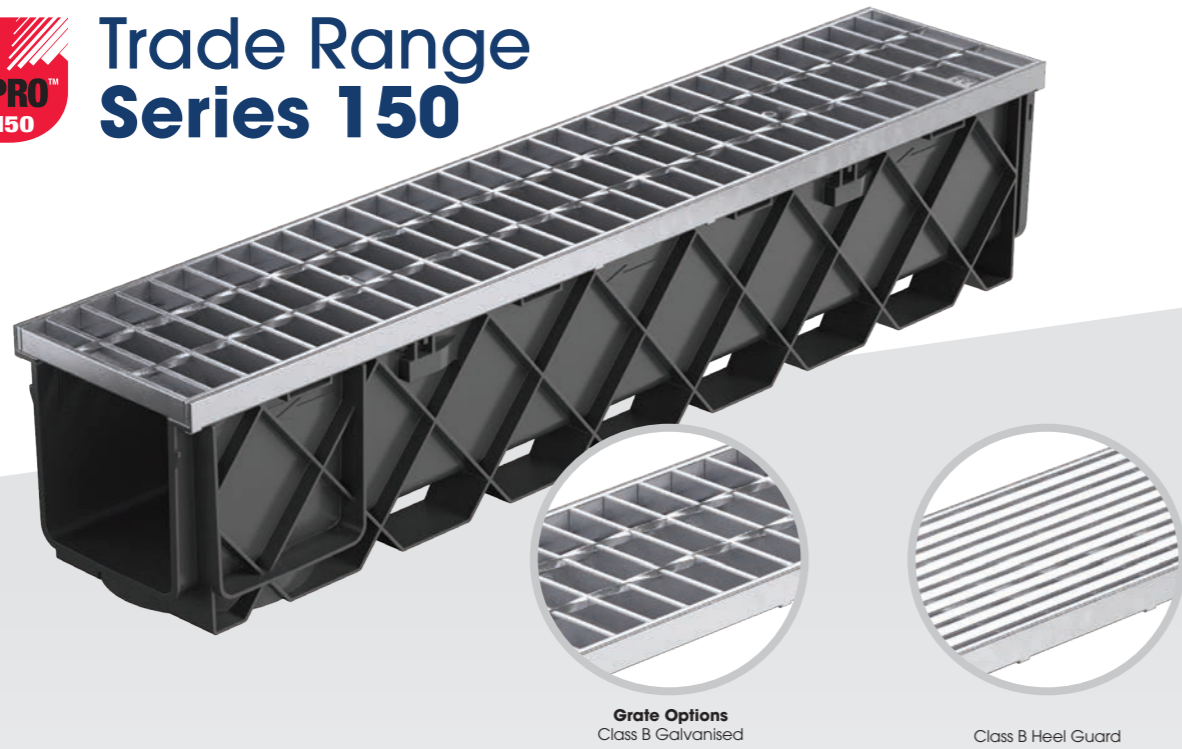
Atrium Leaf Guard
Product Code: 003410



Series 100 End Cap
Product Code: 210039



Trade Range Series 150



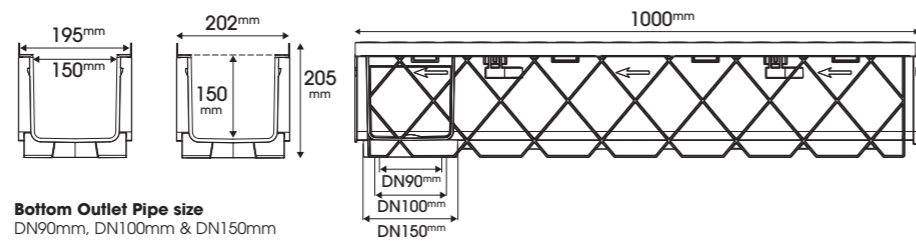
Grate Options
Class B Galvanised

Class B Heel Guard

RELN Storm Drain Pro™ Series 150 perfect for large domestic and light commercial applications. With its large 150mm profile, Storm Drain Pro™ effectively collects and distributes substantial volumes of surface water throughout its system. The channels innovative design features an integral side flange to create corners and intersections, removing the need to source additional fittings.



Product Specifications



Bottom Outlet Pipe size
DN90mm, DN100mm & DN150mm

Series 150 1m Channel c/w Gal Class B Grate
Product Code: 210010
Series 150 1m Channel c/w H/Guard Class B Grate
Product Code: 210012



PRODUCT WARRANTY



100% UV STABILISED RECYCLED PLASTIC

Product Accessories



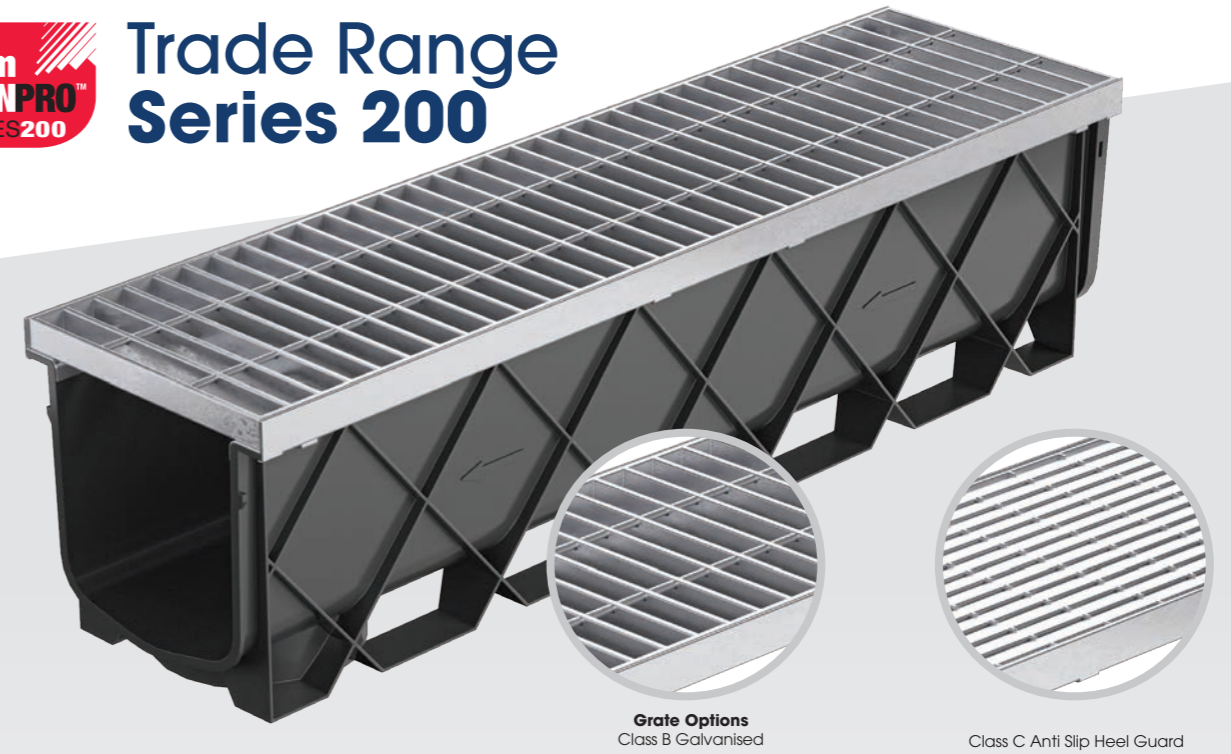
Leaf Guard
Product Code: 210003



Series 150 End Cap
Product Code: 210002



Trade Range Series 200



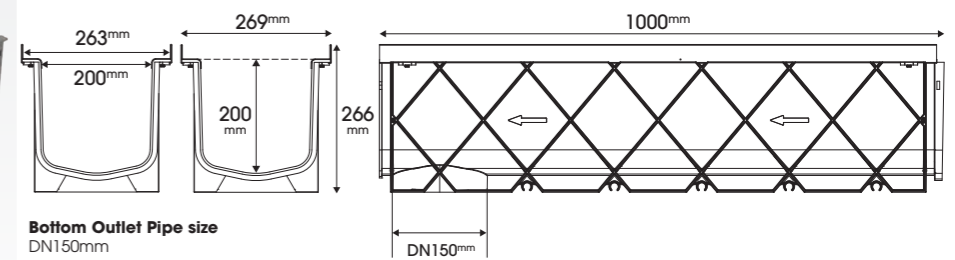
Grate Options
Class B Galvanised

Class C Anti Slip Heel Guard

RELN Storm Drain Pro™ Series 200 is the commercial surface drainage solution, perfect for heavy-use commercial applications, where heavy surface water flows or heavy vehicle and pedestrian traffic is a factor. With its large 263mm profile, Storm Drain Pro™ Series 200 effectively collects and distributes substantial volumes of surface water throughout its system. The range is strong, durable and can withstand 10 tonne of vehicle weight when installed correctly, being the master when it comes to commercial surface drainage.



Product Specifications



Bottom Outlet Pipe size
DN150mm

Series 200 1m Channel c/w Gal Class B Grate
Product Code: 210071
Series 200 1m Channel c/w H/Guard Class C Grate
Product Code: 210073



PRODUCT WARRANTY



100% UV STABILISED RECYCLED PLASTIC

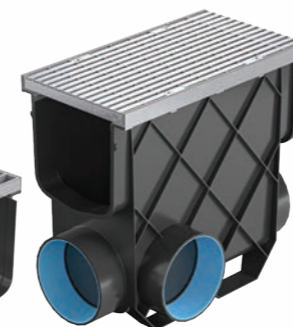
Product Accessories



Series 200 Inline Pit c/w Gal Class B Grate
Product Code: 210075



Series 200 Corner c/w Gal Class B Grate
Product Code: 210079



Series 200 Inline Pit c/w H/Guard Class C Grate
Product Code: 210077



Series 200 Corner c/w H/Guard Class C Grate
Product Code: 210081



Leaf Guard
Product Code: 210003



Series 200 End Cap
Product Code: 000153

The Storm Drain Pro™ Series Applications



- > Paths
- > Driveways
- > Landscape Areas
- > Residential Carparks
- > Light Commercial Applications
- > Class B - Pedestrian Safe Gate
- > Class B - Galvanised Gate



- > Paths
- > Driveways
- > Light Commercial Carparks
- > High Rainfall Areas
- > Residential Carparks
- > Outdoor light Commercial
- > Class B - Pedestrian Safe Gate
- > Class B - Galvanised Gate



- > Driveways
- > Light Commercial Carparks
- > High Rainfall Areas
- > Residential Carparks
- > Outdoor light Commercial
- > Steep Driveways
- > Large Volume Surface
- > Class C - Commercial Applications

5
YEAR
CHANNEL

1
YEAR
GRATE

**PRODUCT
WARRANTY**



**100%
UV STABILISED
RECYCLED PLASTIC**

RELN



For further information on all RELN products, visit www.reln.com.au

Call: 1300 137 356

Email: sales@reln.com.au

PO Box 5182 MINTO BC
NSW 2566 Australia

We thank you for supporting
Australian Businesses and Manufacturing

Due to limitations in the printing process the colours in this brochure are a guide only. We reserve the right to vary specifications or delete products from their range without prior notification.

Date of issue: April 2023

04/23-20909-v1.0